

US00D401633S

**United States Patent** [19]  
**Balough**

[11] **Patent Number: Des. 401,633**

[45] **Date of Patent: \*\*Nov. 24, 1998**

[54] **PUZZLE ROCKING CHAIR**

608,001 7/1898 Manning ..... 273/160  
2,558,591 6/1951 Starck ..... 446/115  
5,681,041 10/1997 Coon ..... 273/157 R

[76] Inventor: **Floyd Balough**, P.O. Box 723, Sunset Beach, Calif. 90742

[\*\*] Term: **14 Years**

*Primary Examiner*—Dominic Simone

[21] Appl. No.: **76,955**

[57] **CLAIM**

[22] Filed: **Sep. 23, 1997**

The design for the puzzle rocking chair, as shown and described.

[51] **LOC (6) Cl.** ..... **21-01**

**DESCRIPTION**

[52] **U.S. Cl.** ..... **D21/104; D21/107**

FIG. 1 is a perspective view of a puzzle rocking chair showing my new design;

[58] **Field of Search** ..... D21/59, 104, 107; D6/344, 348; 273/153 R, 157 R, 160; 446/115

FIG. 2 is a right side elevational view thereof, the left side being a mirror image;

[56] **References Cited**

FIG. 3 is a front elevational view thereof;

**U.S. PATENT DOCUMENTS**

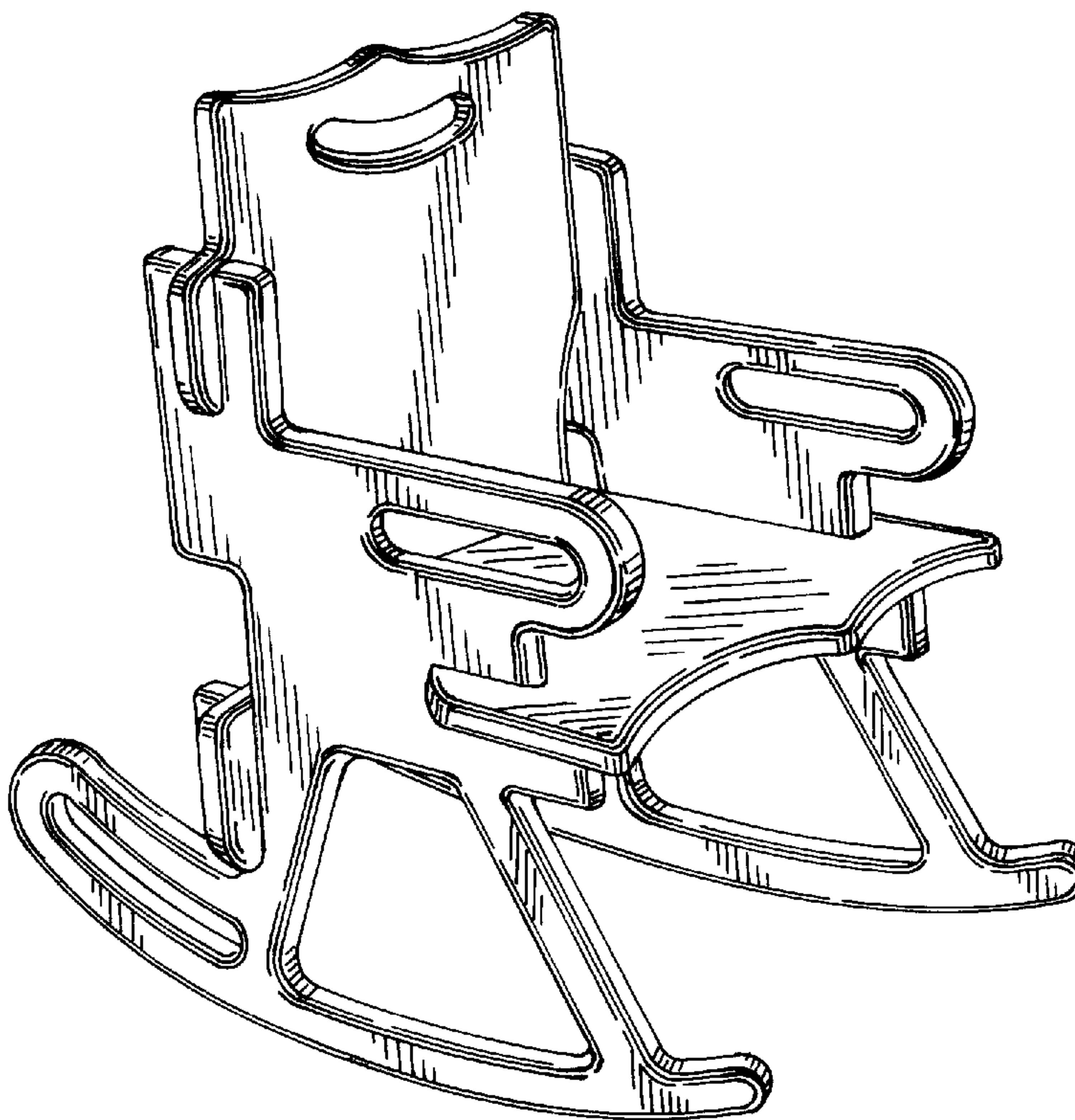
FIG. 4 is a rear elevational view thereof;

- D. 335,224 5/1993 Freeman et al. .... D6/348
- D. 359,169 6/1995 Willens ..... D6/348
- D. 383,174 9/1997 Nissima et al. .... D21/104

FIG. 5 is a top plan view thereof; and,

FIG. 6 is a bottom plan view thereof.

**1 Claim, 2 Drawing Sheets**



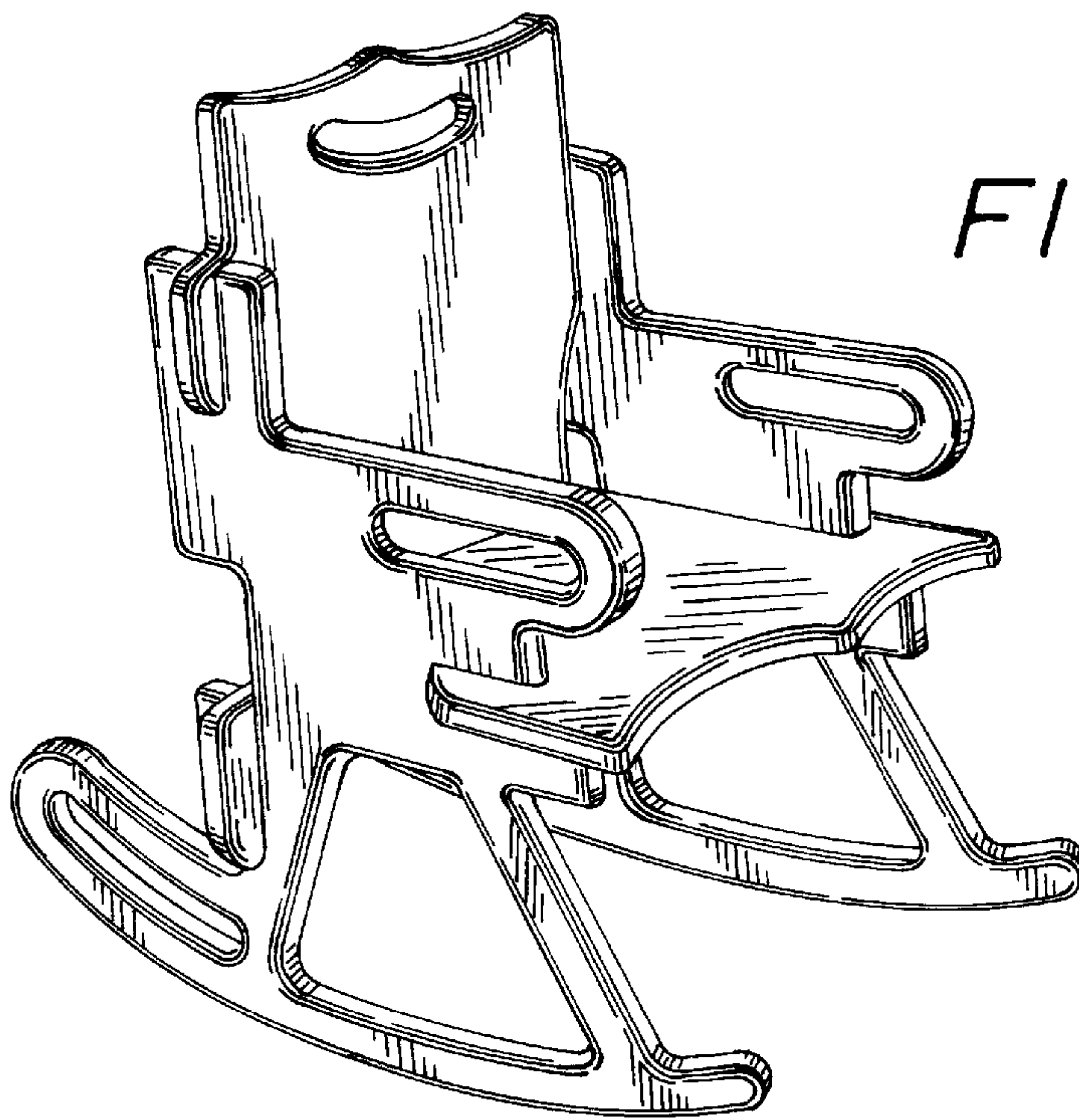


FIG. 1

FIG. 2

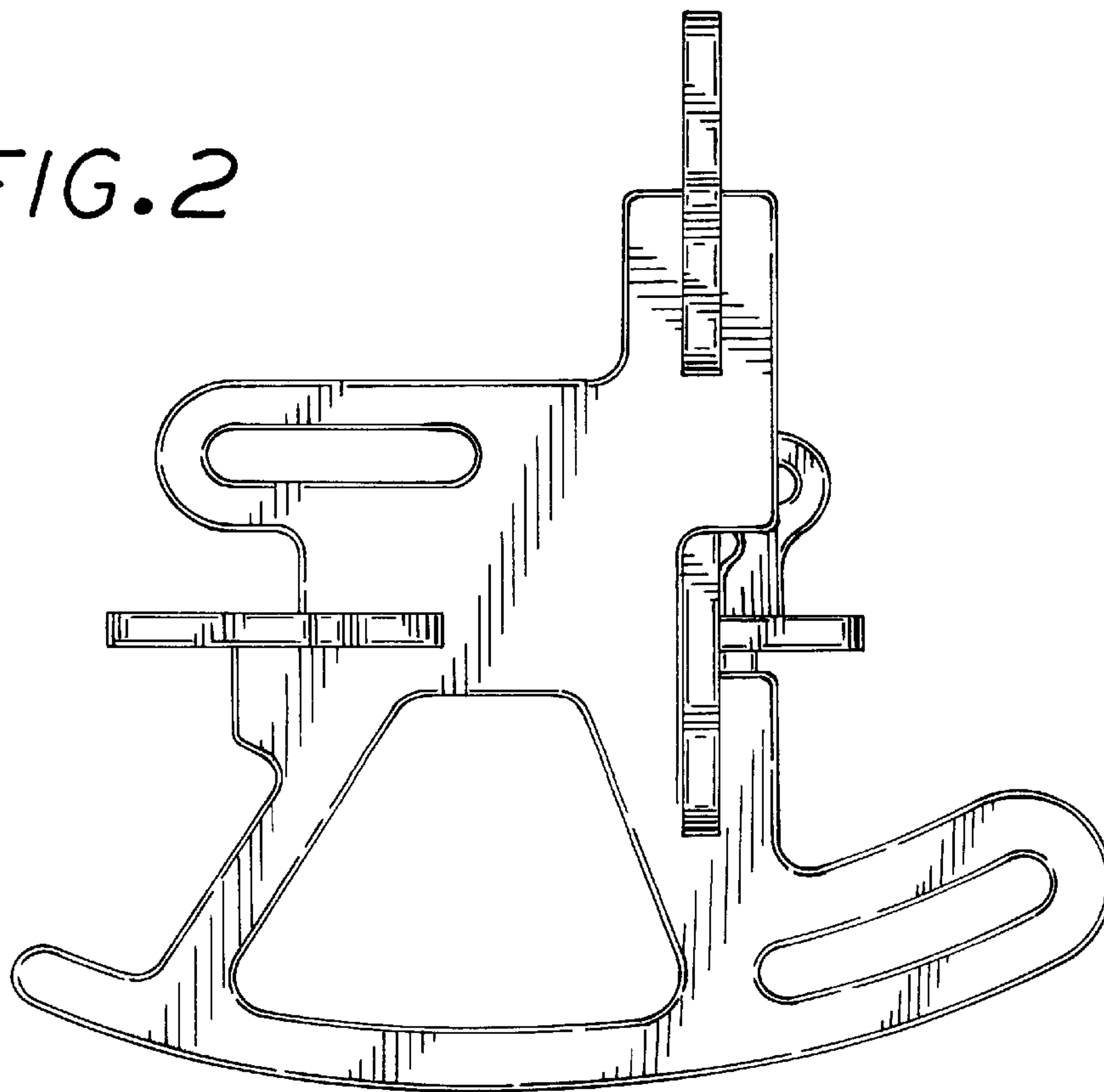


FIG. 3

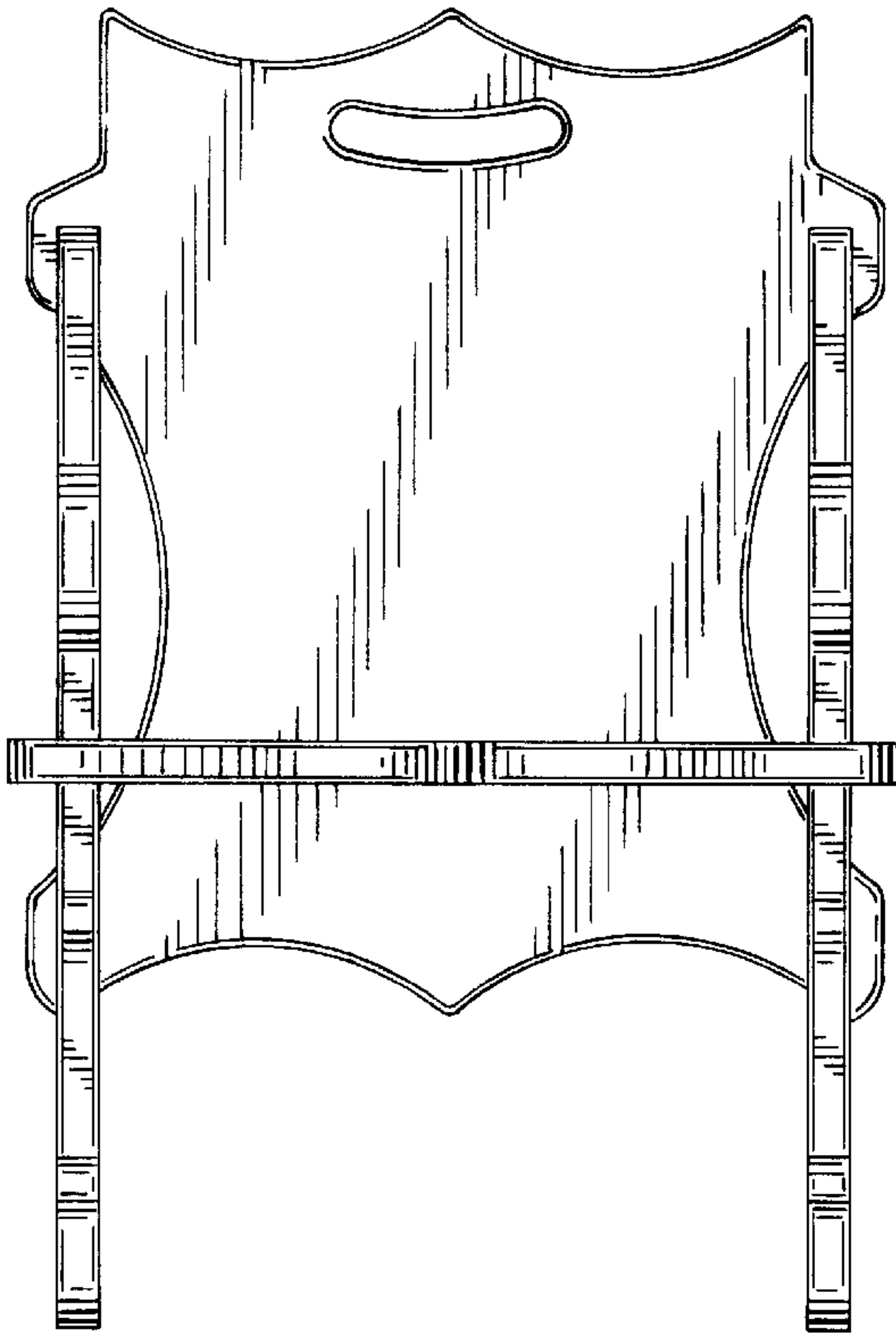


FIG. 4

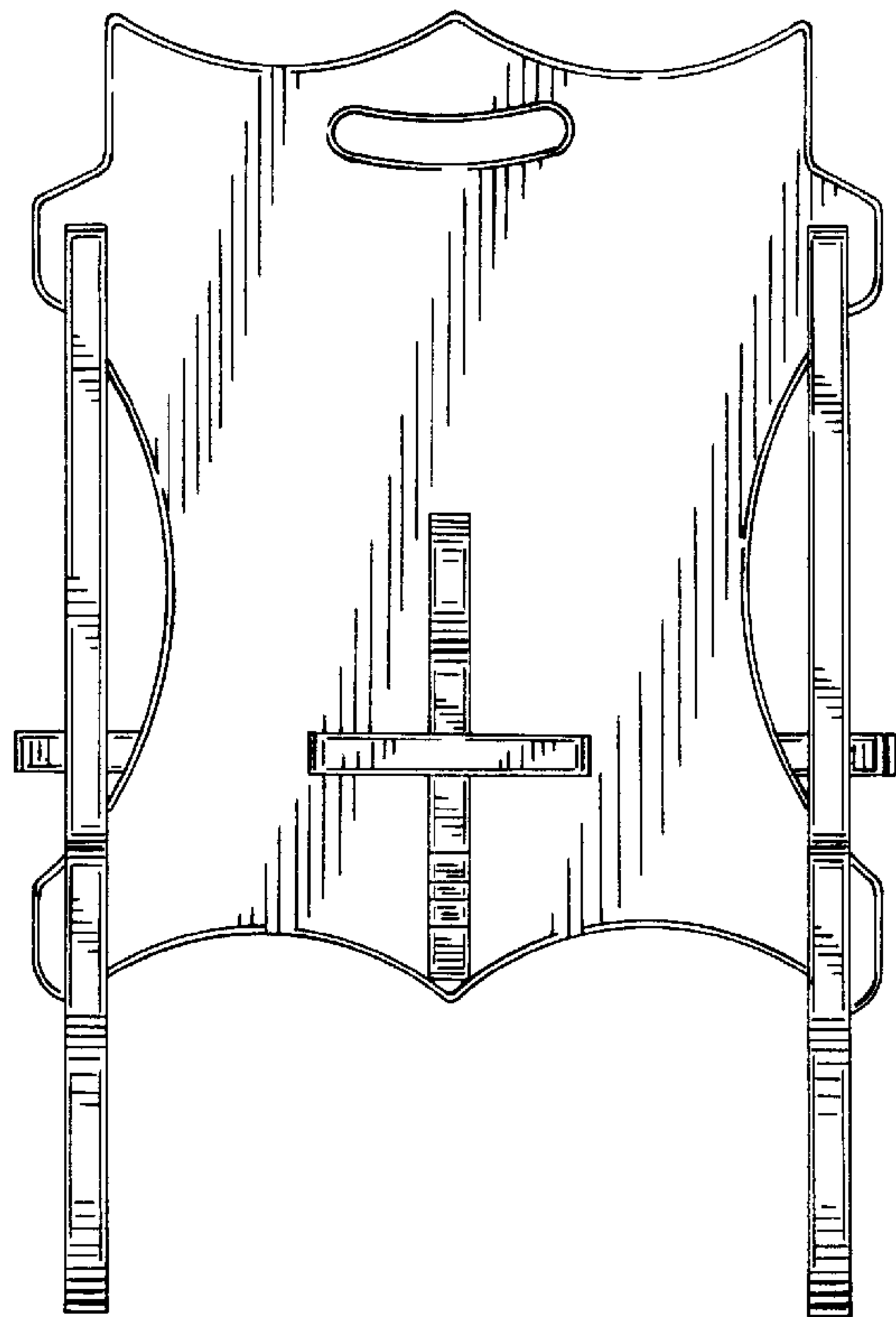


FIG. 5

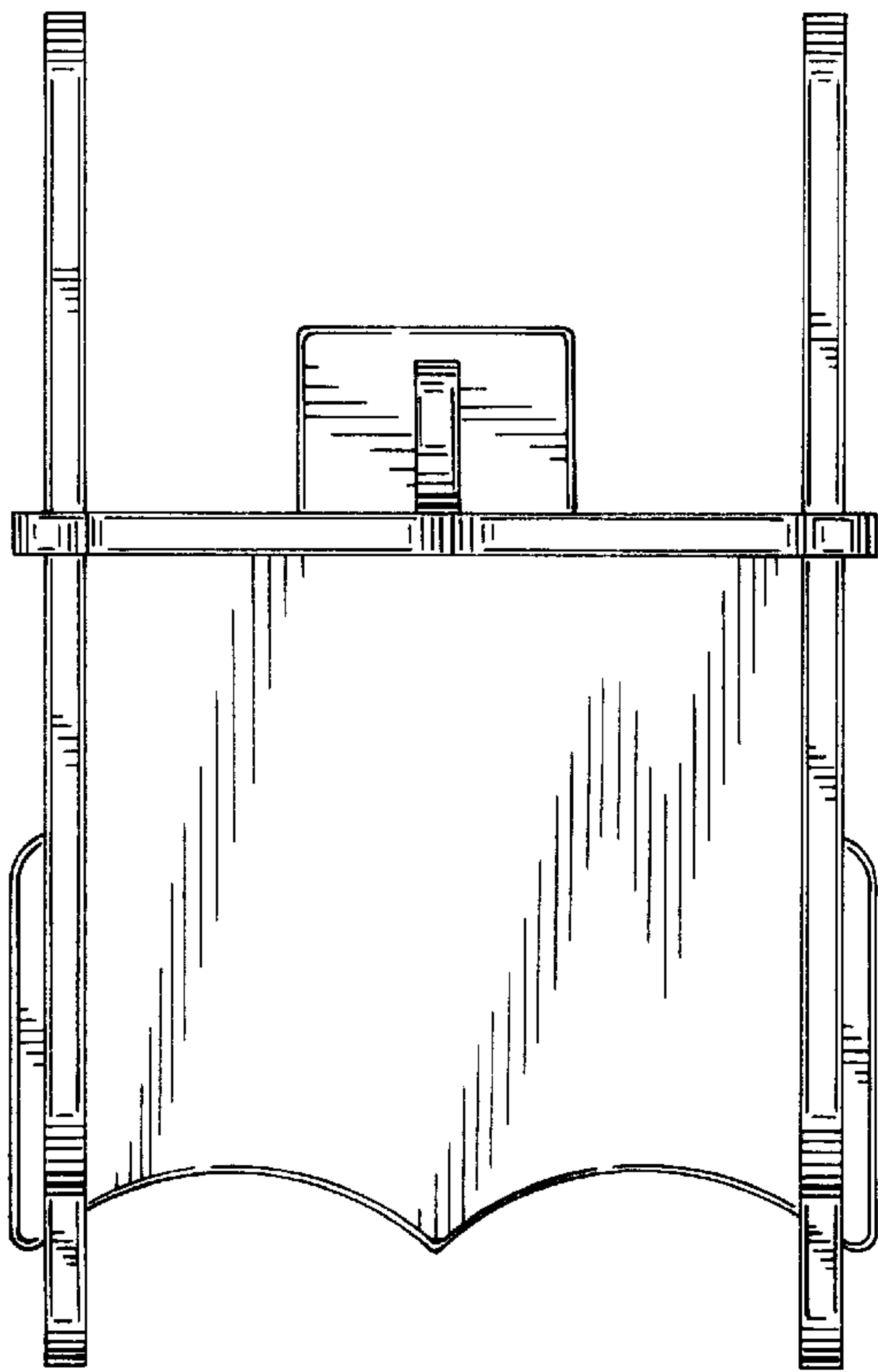


FIG. 6

