



US00D401630S

# United States Patent [19]

**Pilon et al.**

[11] **Patent Number: Des. 401,630**

[45] **Date of Patent: \*\*Nov. 24, 1998**

[54] **TICKET SCRATCHER**

[76] Inventors: **André Pilon; Jean Pilon**, both of RR. #1, Martintown, Ontario, Canada, K0C 1S0

[\*\*] Term: **14 Years**

[21] Appl. No.: **46,324**

[22] Filed: **Nov. 13, 1995**

[30] **Foreign Application Priority Data**

May 29, 1995 [CA] Canada ..... 1995-1143

[51] **LOC (6) Cl.** ..... **21-02**

[52] **U.S. Cl.** ..... **D21/37**

[58] **Field of Search** ..... D21/37; D19/36, D19/51, 56, 65; D8/14, 98; D32/46, 49; 30/169, 171, 182; 15/236.01, 236.02, 236.03, 236.06, 236.09

[56] **References Cited**

**U.S. PATENT DOCUMENTS**

D. 284,871 7/1986 Motoki ..... D19/36

D. 291,374 8/1987 Korper ..... D19/51 X  
D. 311,981 11/1990 Kabbaby et al. .... D32/46  
D. 313,540 1/1991 Toor et al. .... D8/98

*Primary Examiner*—Ted Shooman  
*Assistant Examiner*—Mitchell I. Siegel  
*Attorney, Agent, or Firm*—Birch, Stewart, Kolasch & Birch LLP

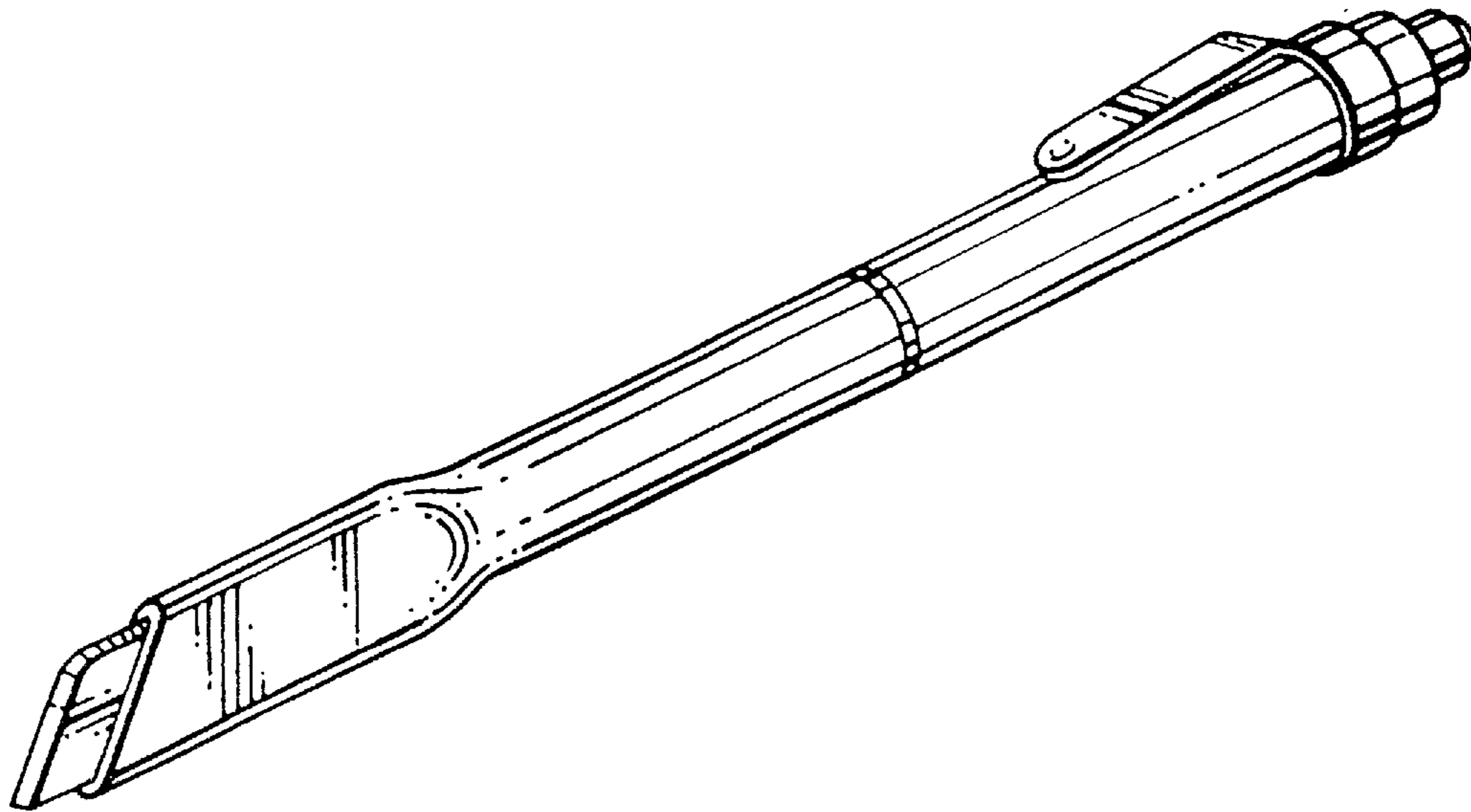
[57] **CLAIM**

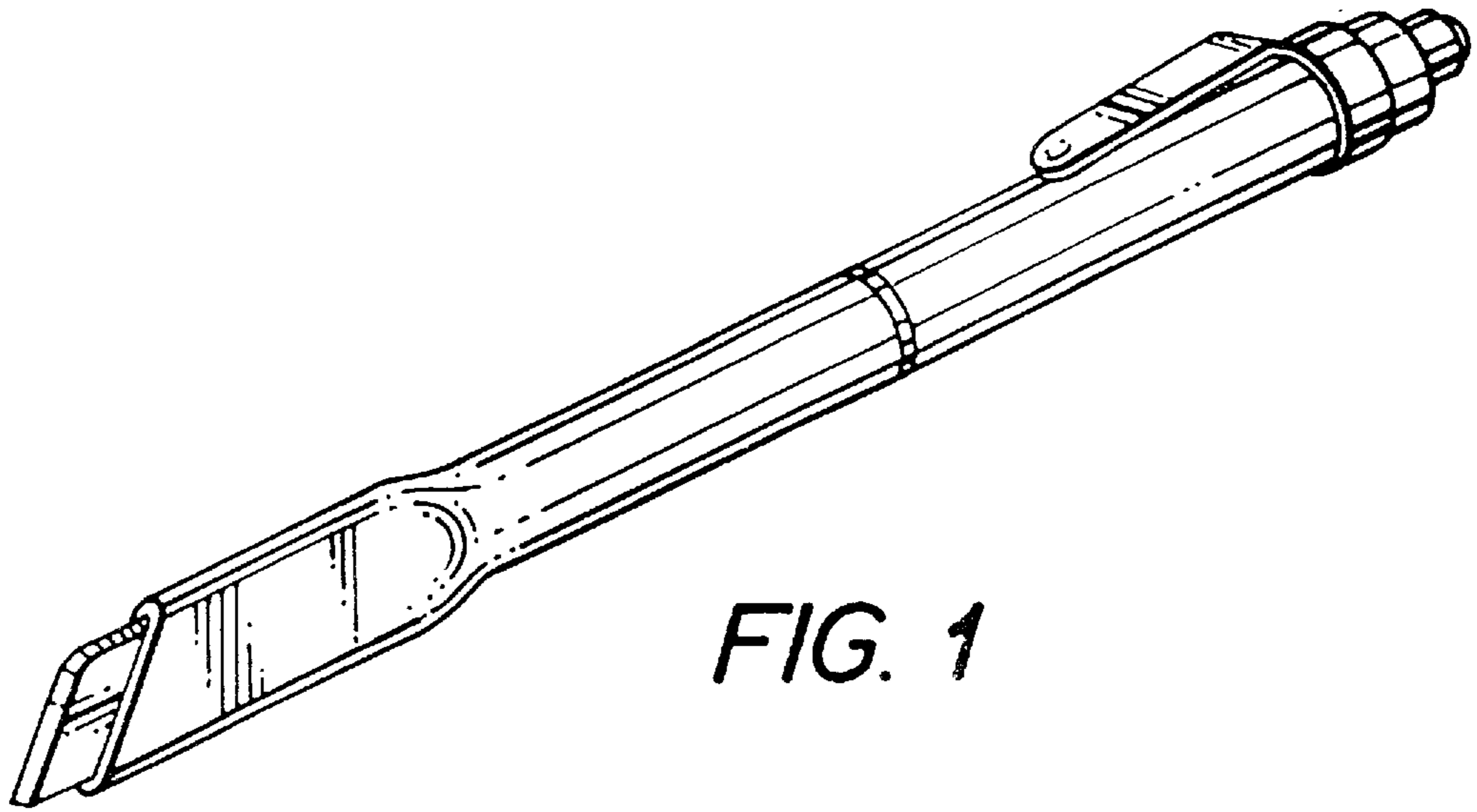
The ornamental design for a ticket scratcher, as shown and described.

**DESCRIPTION**

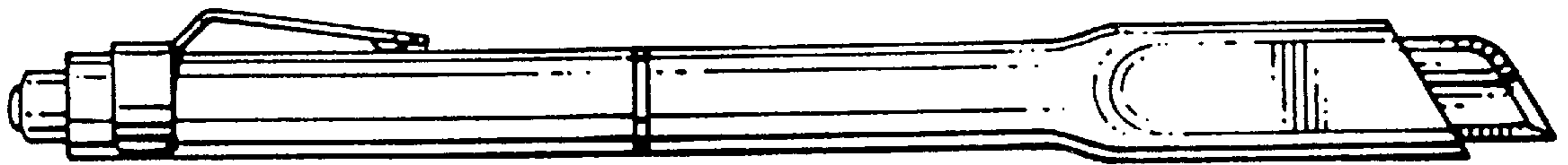
FIG. 1 is a perspective view of the ticket scratcher embodying the present invention;  
FIG. 2 is a side elevational view of the ticket scratcher;  
FIG. 3 is a front elevational view of the ticket scratcher;  
FIG. 4 is a rear elevational view of the ticket scratcher;  
FIG. 5 is an enlarged bottom view of a ticket scrapper; and,  
FIG. 6 is a top plan view of the ticket scrapper of FIG. 5.

**1 Claim, 3 Drawing Sheets**

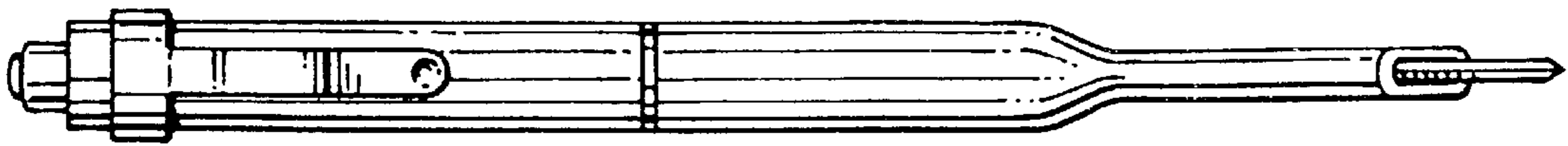




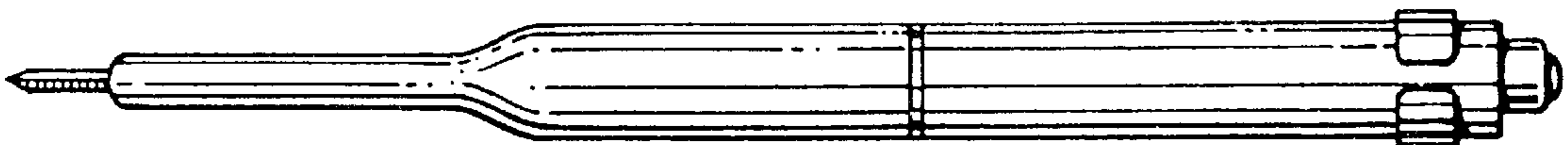
*FIG. 1*



*FIG. 2*



*FIG. 3*



*FIG. 4*

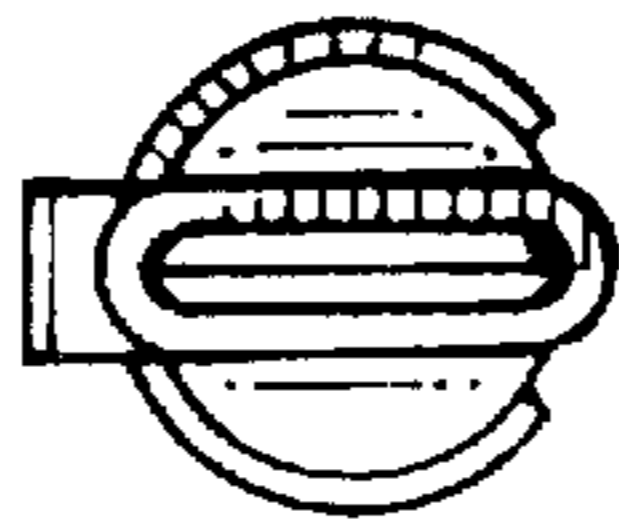


FIG. 5

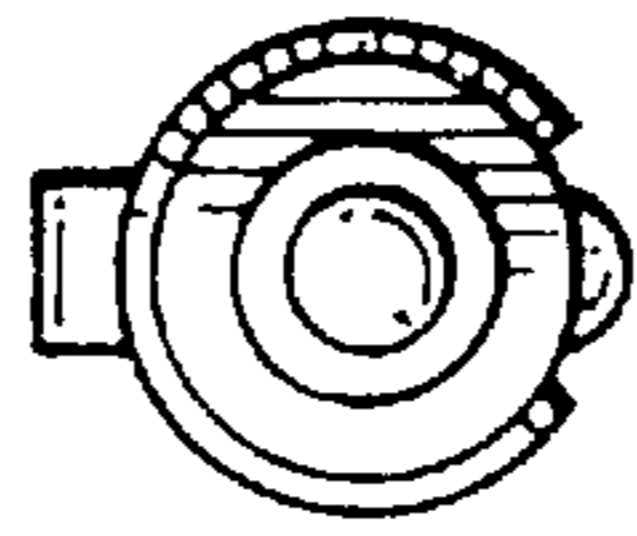


FIG. 6