



US00D401629S

# United States Patent [19] Wing

[11] Patent Number: Des. 401,629

[45] Date of Patent: \*\*Nov. 24, 1998

[54] POWER GRIP GAME

5,232,223 8/1993 Dornbusch ..... 273/148 B

[75] Inventor: Yu Wah Wing, Tsuen Wan, Hong Kong

### OTHER PUBLICATIONS

[73] Assignee: Tiger Electronics, Inc., Vernon Hills, Ill.

Pen-Cu-Lator product of Leona Electronics Co., Ltd., Hong Kong Enterprise, "Electronic Appliances & Electronics", Oct. 1992, p. 279.

[\*\*] Term: 14 Years

Space Master, Hong Kong Enterprise, "Electronic Appliances & Electronics", Oct. 1992, page unknown.

[21] Appl. No.: 49,037

Wondermega product of Eternal Peace Electronics Ltd., Hong Kong Enterprise, "Electronic Appliance & Electronics", Oct. 1992, p. 174.

[22] Filed: Jan. 16, 1996

[51] LOC (6) Cl. .... 21-01

Electronic Translators, Dictionaries & Games products of RJP International Ltd., Hong Kong Enterprise, "Electrical Appliances & Electronics", Oct. 1992, p. 353.

[52] U.S. Cl. .... D21/13

[58] Field of Search ..... D21/13, 1, 48;  
273/148 B; 463/30-35, 43-47; D14/125,  
126

Lakeside's Le Boom, *Playthings*, Mar. 1980, p. 16.

Merlin, technical information/rules for playing, Parker Brothers, 1978, 15 pages.

### [56] References Cited

#### U.S. PATENT DOCUMENTS

Midway Mortal Kombat product, shown on p. 84 (copyright 1992) from Jan. 1994 edition of Tiger Electronics, Inc. book entitled *Lightning Strikes Again*.

Ms. Pac-Man/Donkey Kong, Jr. products, by Coleco, "Electronic circuit", undated page.

Outlaw shootout product by Atari, shown on p. 52 of *Vending Times*, Mar. 1976.

*Vending Times*, Aug. 1988, p. 77.

D. 263,402	3/1982	Muir	D21/13
D. 270,075	8/1983	Tsuyuki	D21/13
D. 272,920	3/1984	Wichinsky et al.	D21/13 X
D. 320,624	10/1991	Taylor	D21/13
D. 332,976	2/1993	Gutknecht et al.	D21/13 X
D. 333,164	2/1993	Kraft et al.	D21/13
D. 334,218	3/1993	Lee	D21/13
D. 342,762	12/1993	Wing	D21/48
D. 347,864	6/1994	Duong	D21/48
D. 351,865	10/1994	Brettschneider	D21/13
D. 353,410	12/1994	Chan	D21/48
D. 353,631	12/1994	Dudley et al.	D21/13
D. 354,993	1/1995	Morrison et al.	D21/13
D. 355,644	2/1995	Risko	D14/100
D. 356,344	3/1995	Rissman et al.	D21/48
D. 358,430	5/1995	Rissman et al.	D21/13
D. 359,992	7/1995	Chan	D21/48
D. 360,436	7/1995	Chan	D21/48
D. 362,692	9/1995	Rissman et al.	D21/13
D. 363,090	10/1995	Chung-Po	D21/13
4,850,591	7/1989	Takezawa et al.	363/46 X
5,095,798	3/1992	Okada et al.	84/609
5,161,803	11/1992	Ohara	273/435
5,184,830	2/1993	Okada et al.	273/433
5,213,327	5/1993	Kitaue	273/148 B
5,217,295	6/1993	Tortola et al.	362/109

Primary Examiner—Prabhakar G. Deshmukh

Attorney, Agent, or Firm—Fitch, Even, Tabin & Flannery

### [57] CLAIM

I claim the ornamental design for the power grip game, as shown and described.

### DESCRIPTION

FIG. 1 is a front view of a power grip game showing my new design;

FIG. 2 is a right side view thereof; the left side view being a mirror image thereof;

FIG. 3 is a rear view thereof;

FIG. 4 is a left side view thereof;

FIG. 5 is a top view thereof; and,

FIG. 6 is a bottom view thereof.

1 Claim, 3 Drawing Sheets

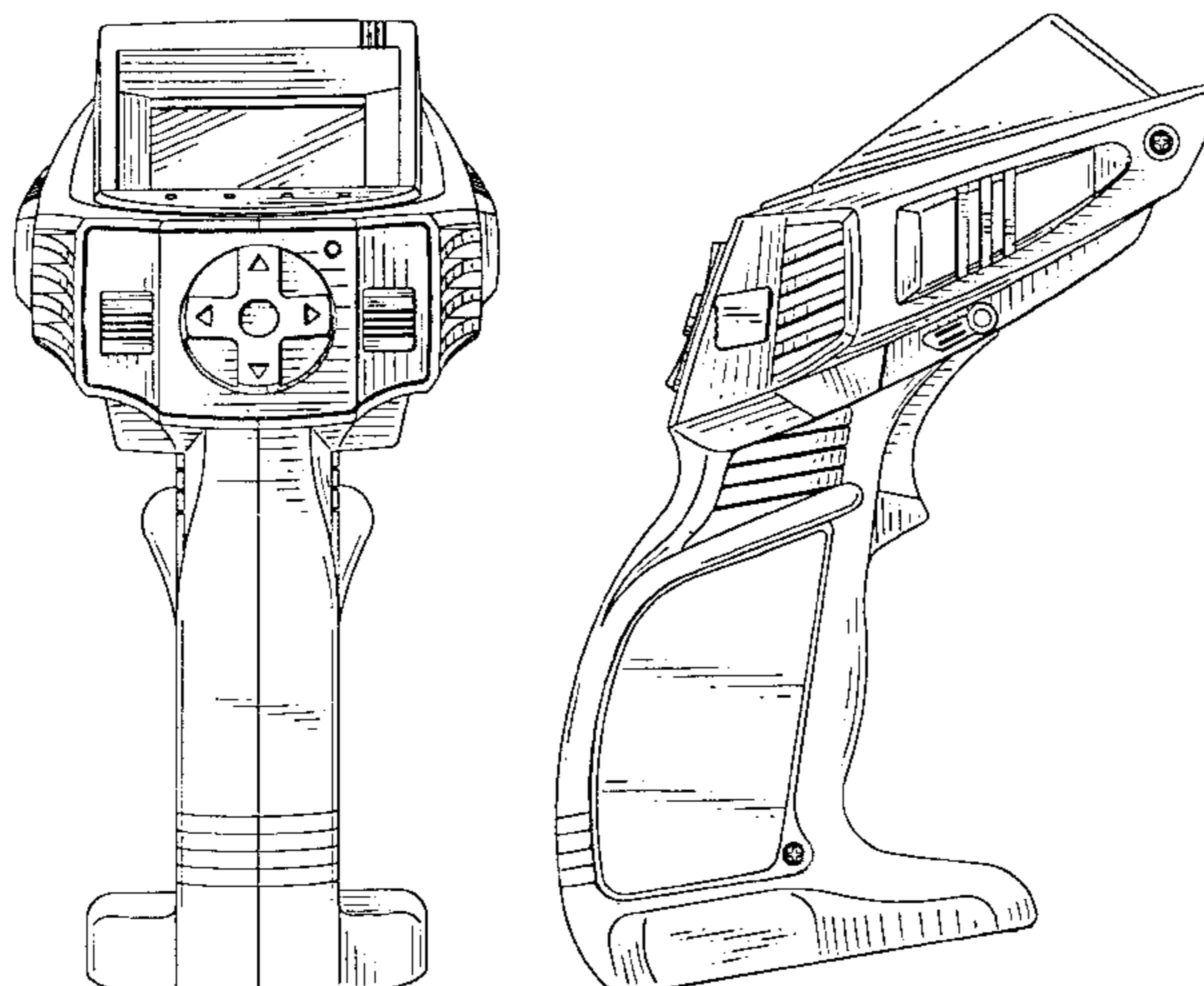


FIG. 1

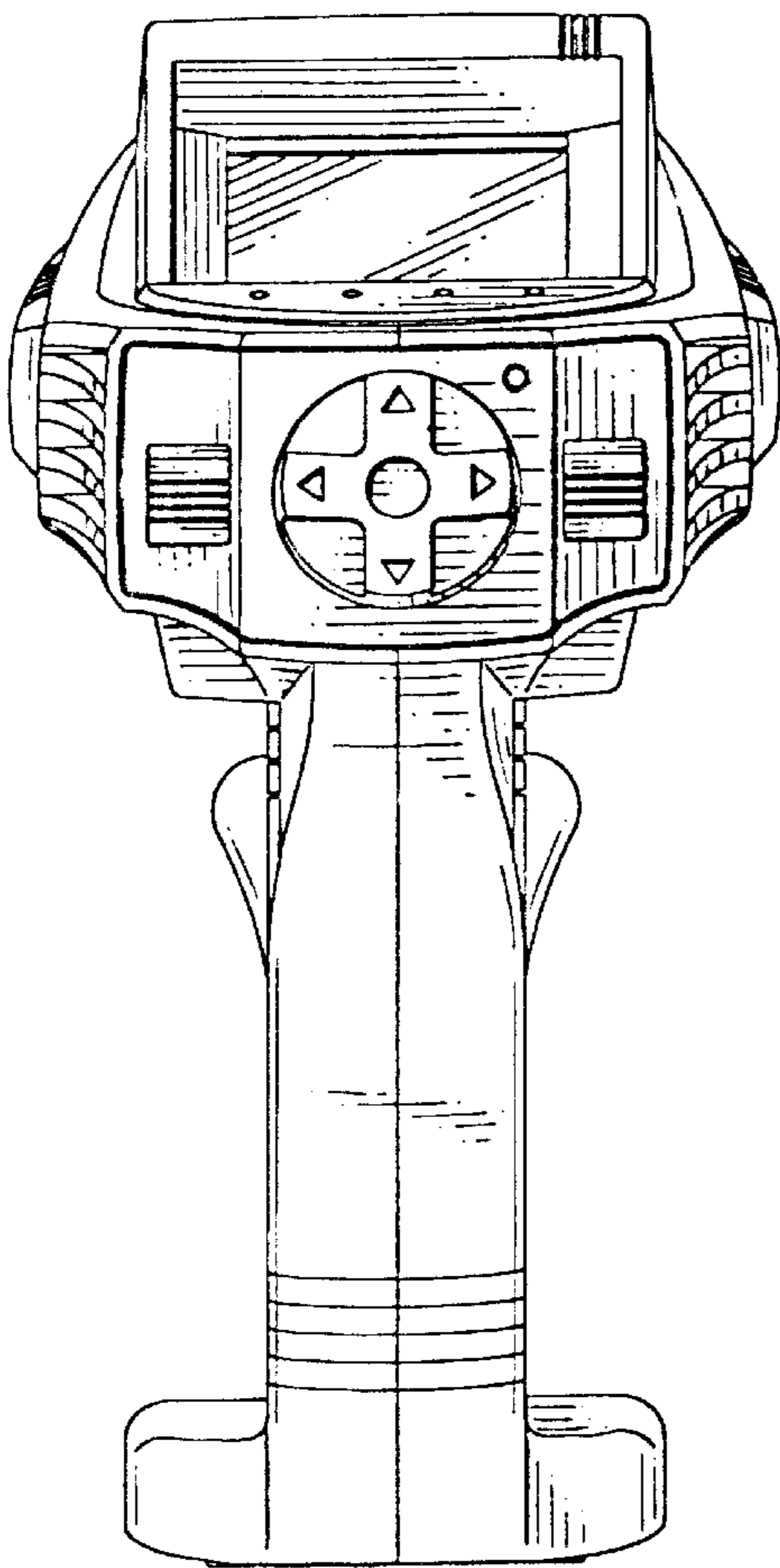


FIG. 2

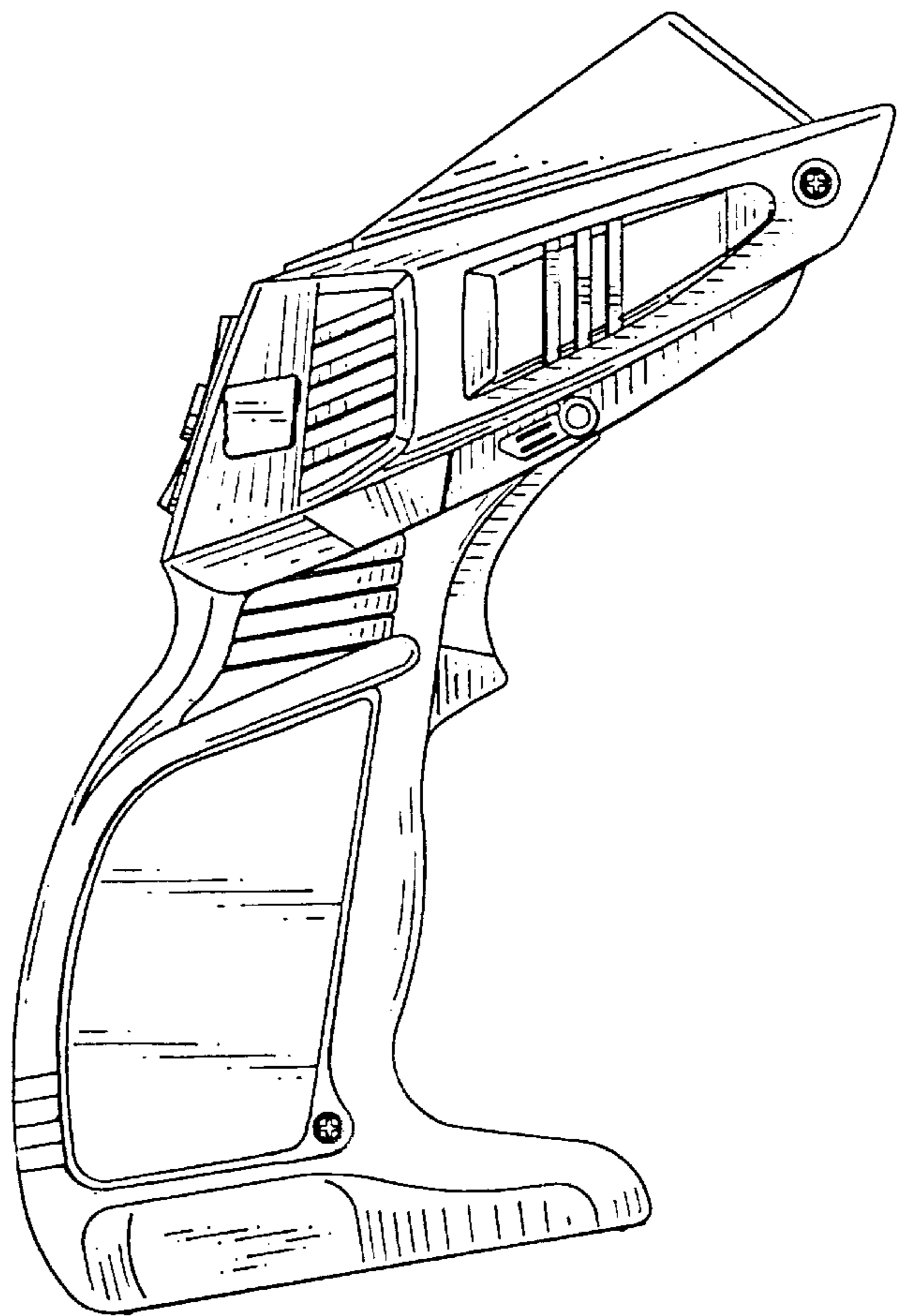


FIG. 3

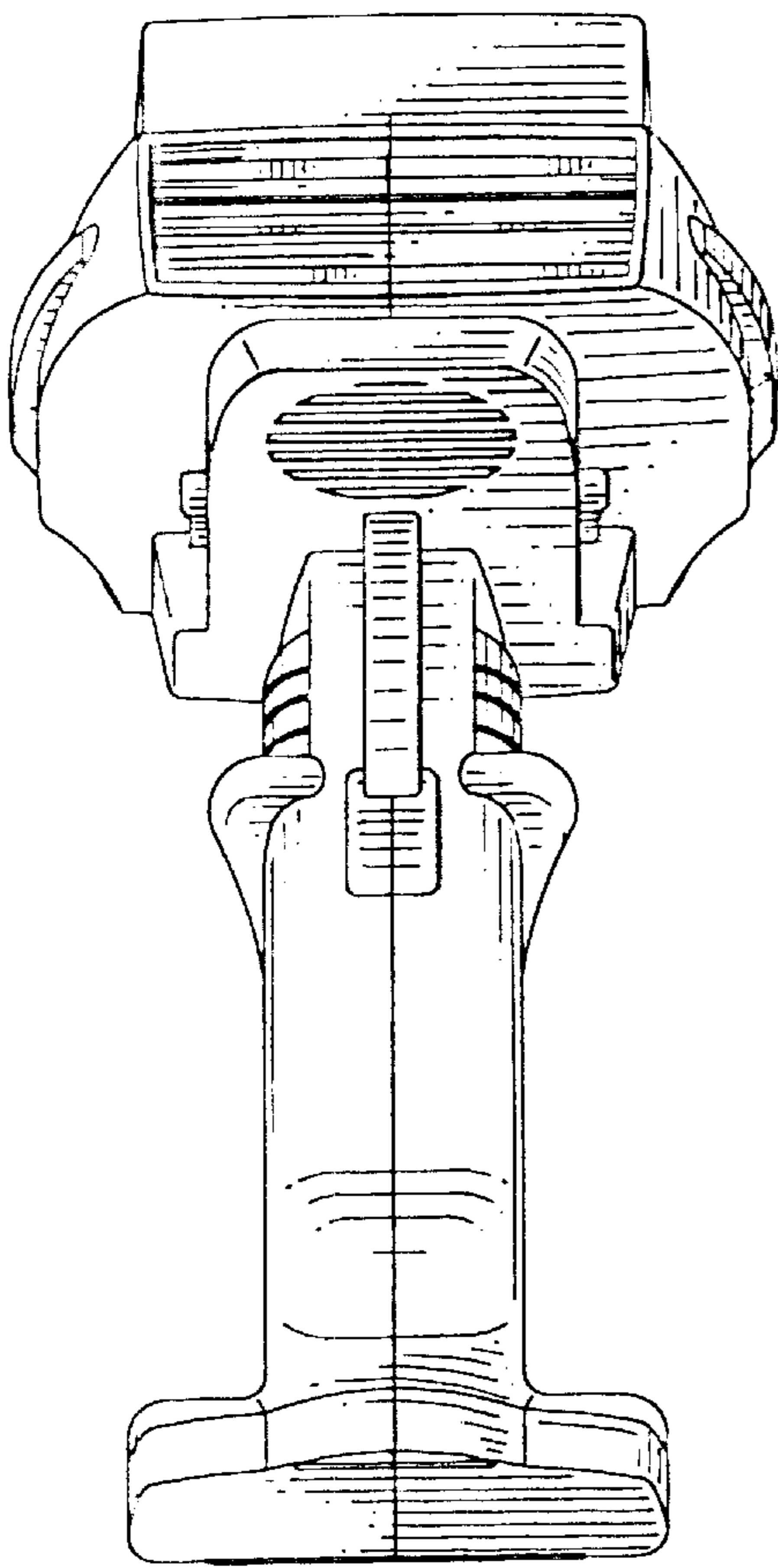


FIG. 4

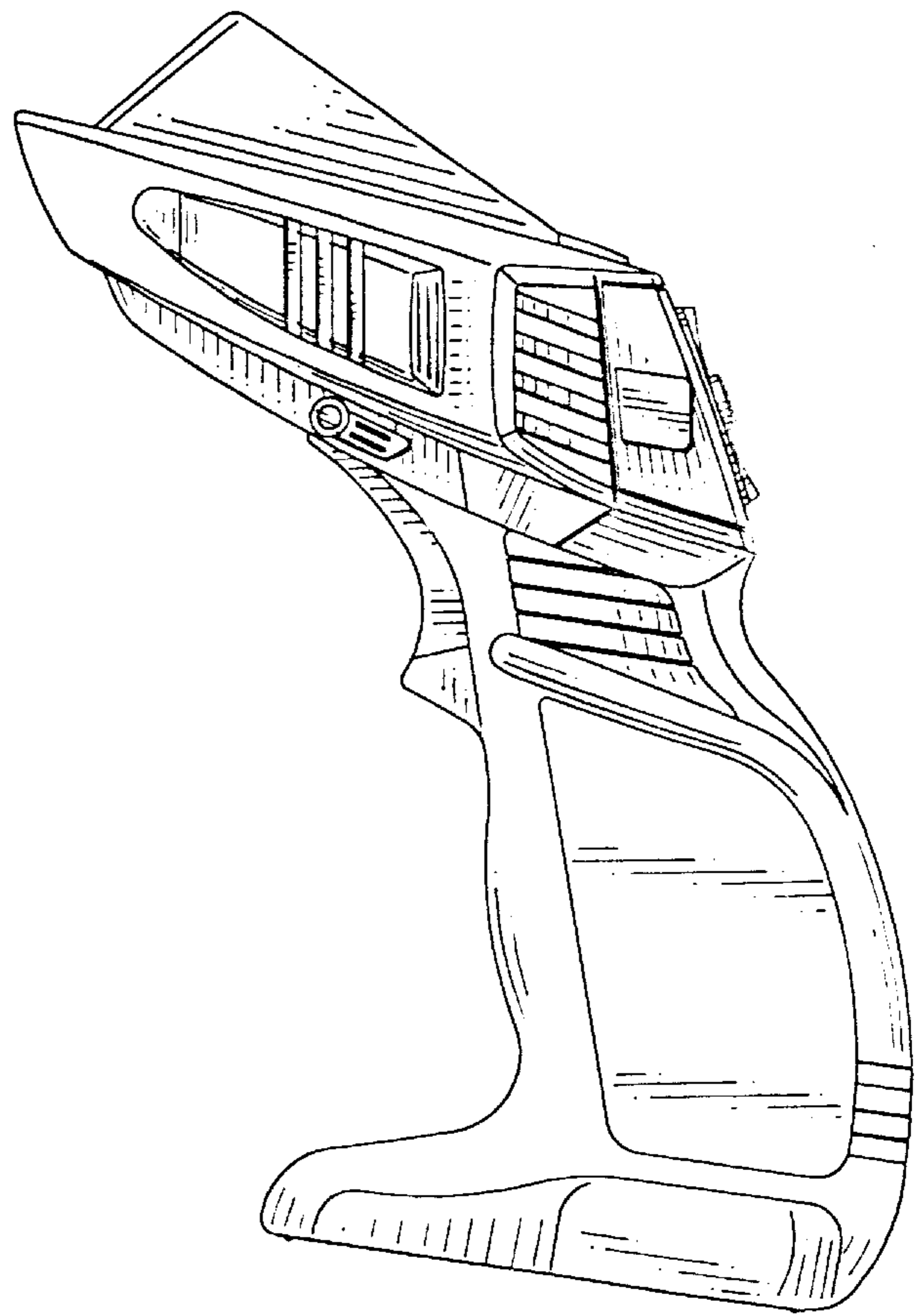


FIG. 5

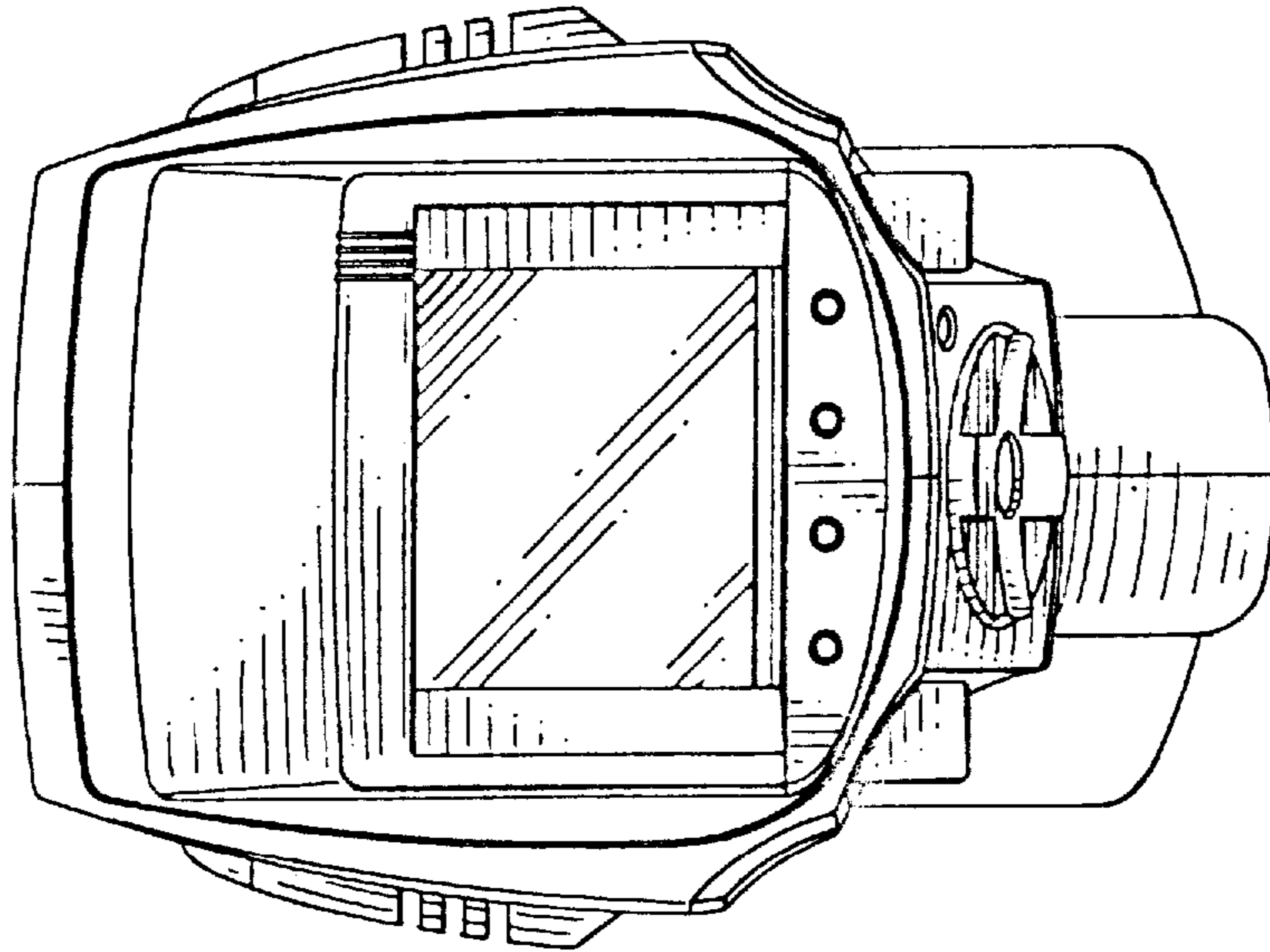


FIG. 6

