



US00D401627S

United States Patent [19]

Markelz et al.

[11] Patent Number: Des. 401,627

[45] Date of Patent: **Nov. 24, 1998

[54] DESKTOP VERTICAL FILE

[75] Inventors: Aimee J. Markelz, Chicago; Charles E. Bain, West Dundee, both of Ill.

[73] Assignee: Sterling Plastics Co., Madison, Wis.

[**] Term: 14 Years

[21] Appl. No.: 82,344

[22] Filed: Dec. 24, 1997

Related U.S. Application Data

[62] Division of Ser. No. 58,906, Aug. 27, 1996, Pat. No. Des. 388,465.

[51] LOC (6) Cl. 19-02

[52] U.S. Cl. D19/78; D19/77; D19/90; D19/75; D19/86

[58] Field of Search D19/65, 75, 77, D19/78, 81-85, 86, 90, 91, 95, 99, 100; 211/50, 52, 55, 126, 128, 194, 10, 11, 88

[56] References Cited

U.S. PATENT DOCUMENTS

- D. 41,026 12/1910 Paige .
- D. 139,831 12/1944 Posnack .
- D. 270,256 8/1983 Sankey .
- D. 277,969 3/1985 Bustos .
- D. 290,852 7/1987 Wang .
- D. 310,544 9/1990 Evanson .

- D. 325,222 4/1992 Brüßing .
- D. 330,047 10/1992 Evanson .
- D. 336,753 6/1993 Chan .
- D. 343,417 1/1994 Tarozzi .
- D. 349,131 7/1994 Nystrom et al. .
- D. 359,763 6/1995 Martin .
- 818,581 4/1906 Swope .
- 4,162,014 7/1979 Bobrick .
- 5,016,760 5/1991 Mayo .

OTHER PUBLICATIONS

Selected pages from: Rubbermaid® Office Products 1995 Catalog.
Staples® The Office Superstore 1994/95 Winter Catalog.
Markelz Office Products 1996 Office Products Catalog.

Primary Examiner—Martie K. Holtje
Attorney, Agent, or Firm—Foley & Lardner

[57] CLAIM

The ornamental design for a desktop vertical file, as shown and described.

DESCRIPTION

FIG. 1 is a front perspective view of a desktop vertical file; FIG. 2 is a front view thereof; FIG. 3 is a right side view, the left view being a mirror image of the right view shown; FIG. 4 is a back view thereof; FIG. 5 is a top view thereof; and, FIG. 6 is a bottom view thereof.

1 Claim, 4 Drawing Sheets

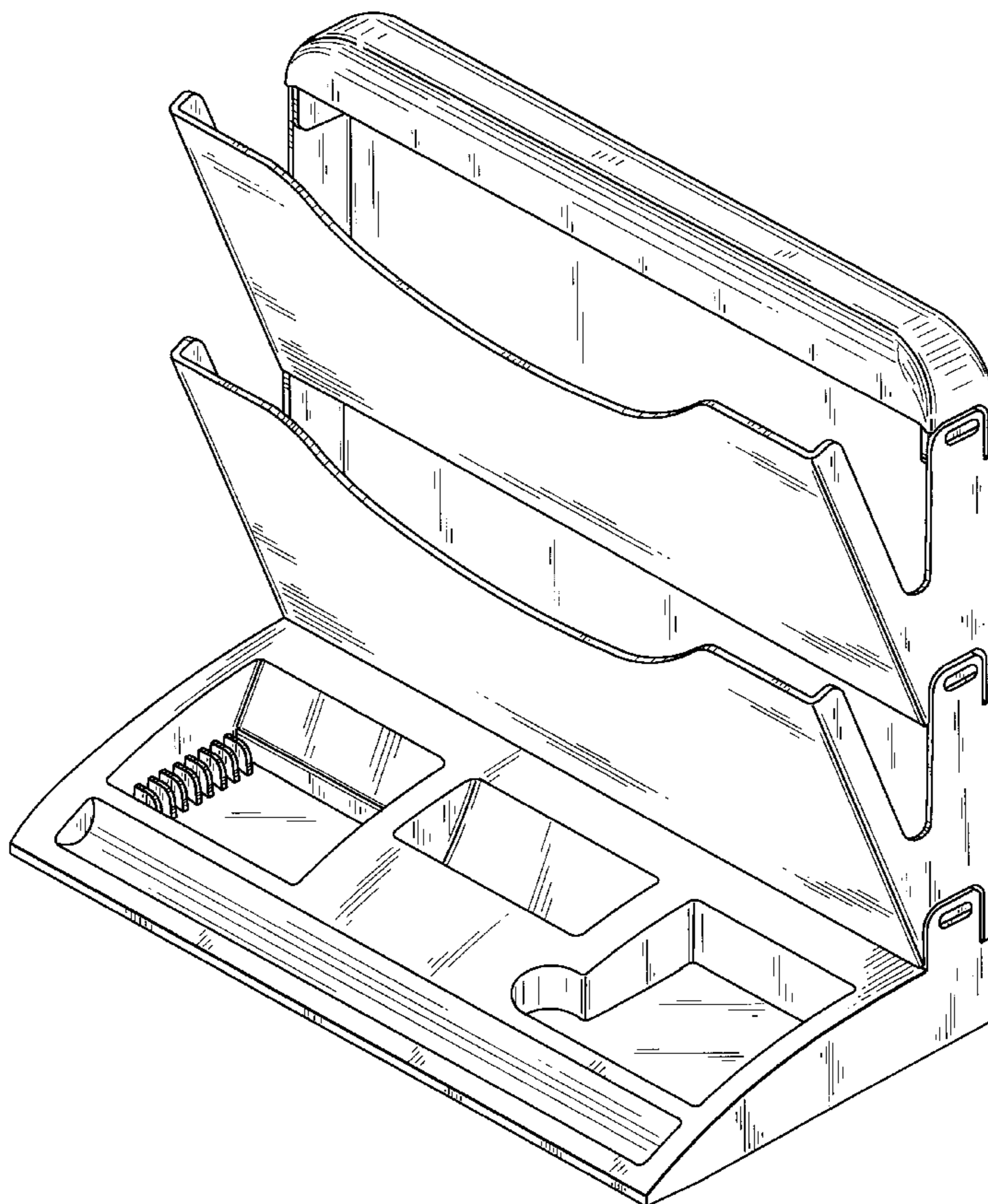


FIG. 1

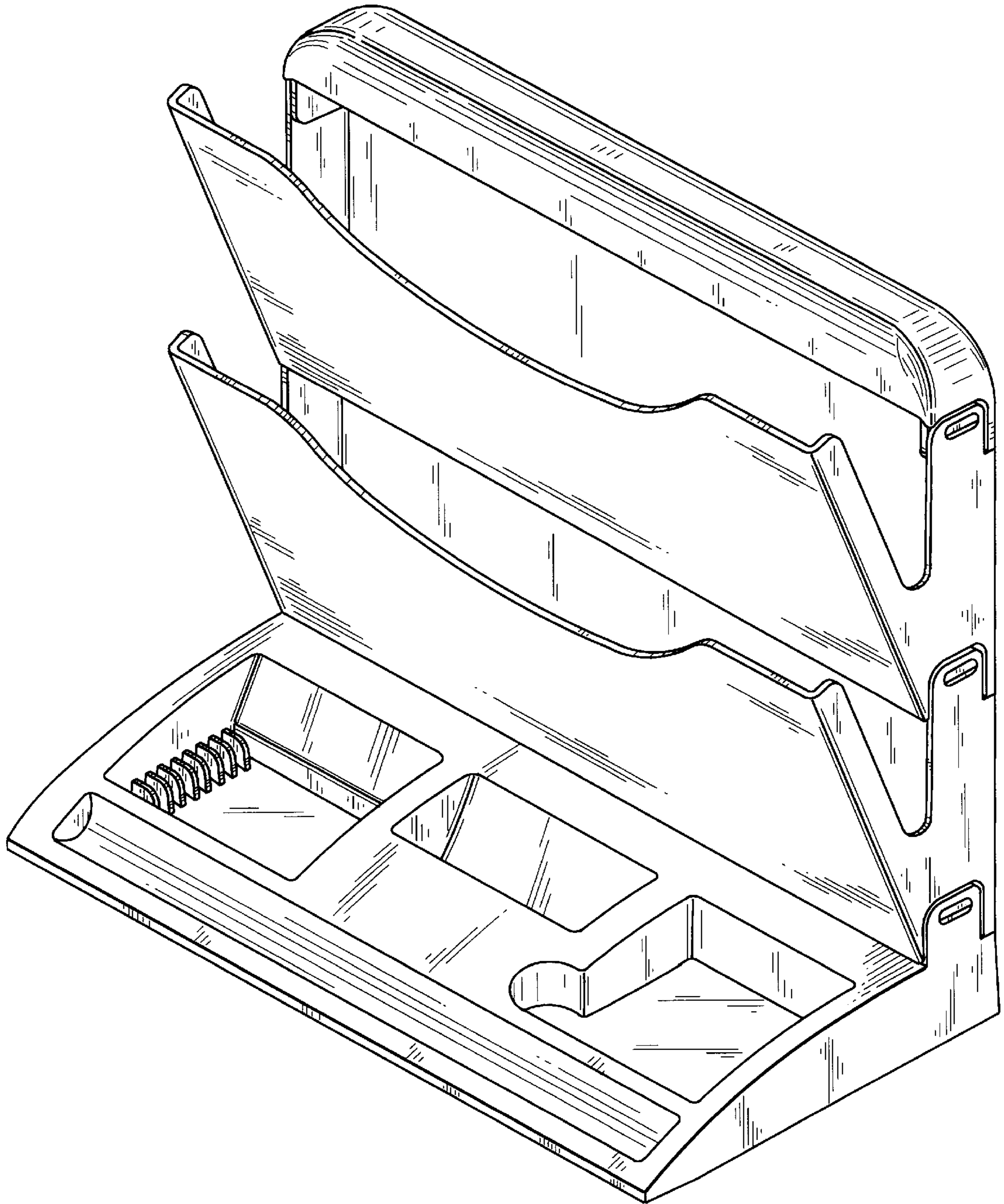


FIG. 2

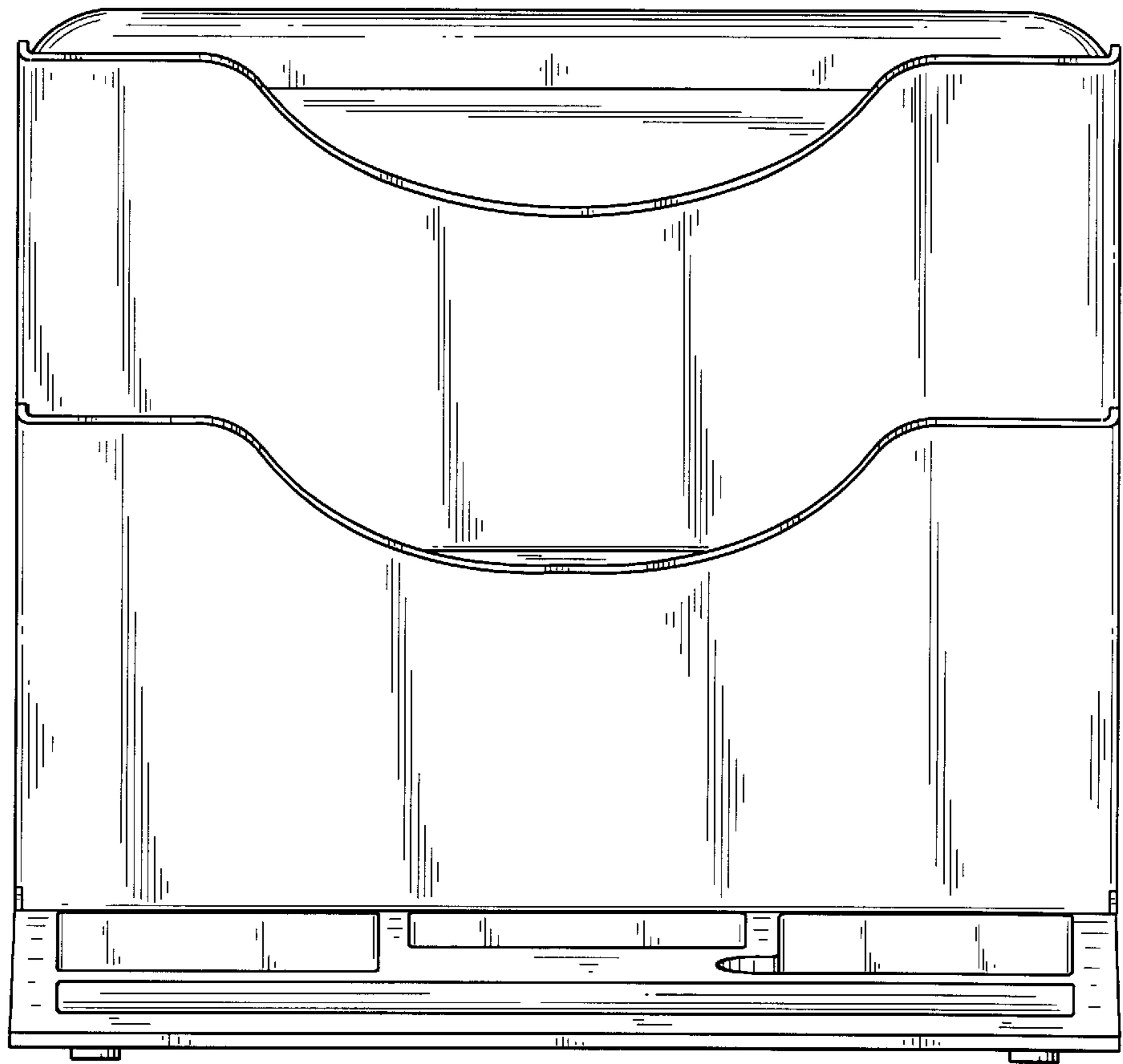


FIG. 3

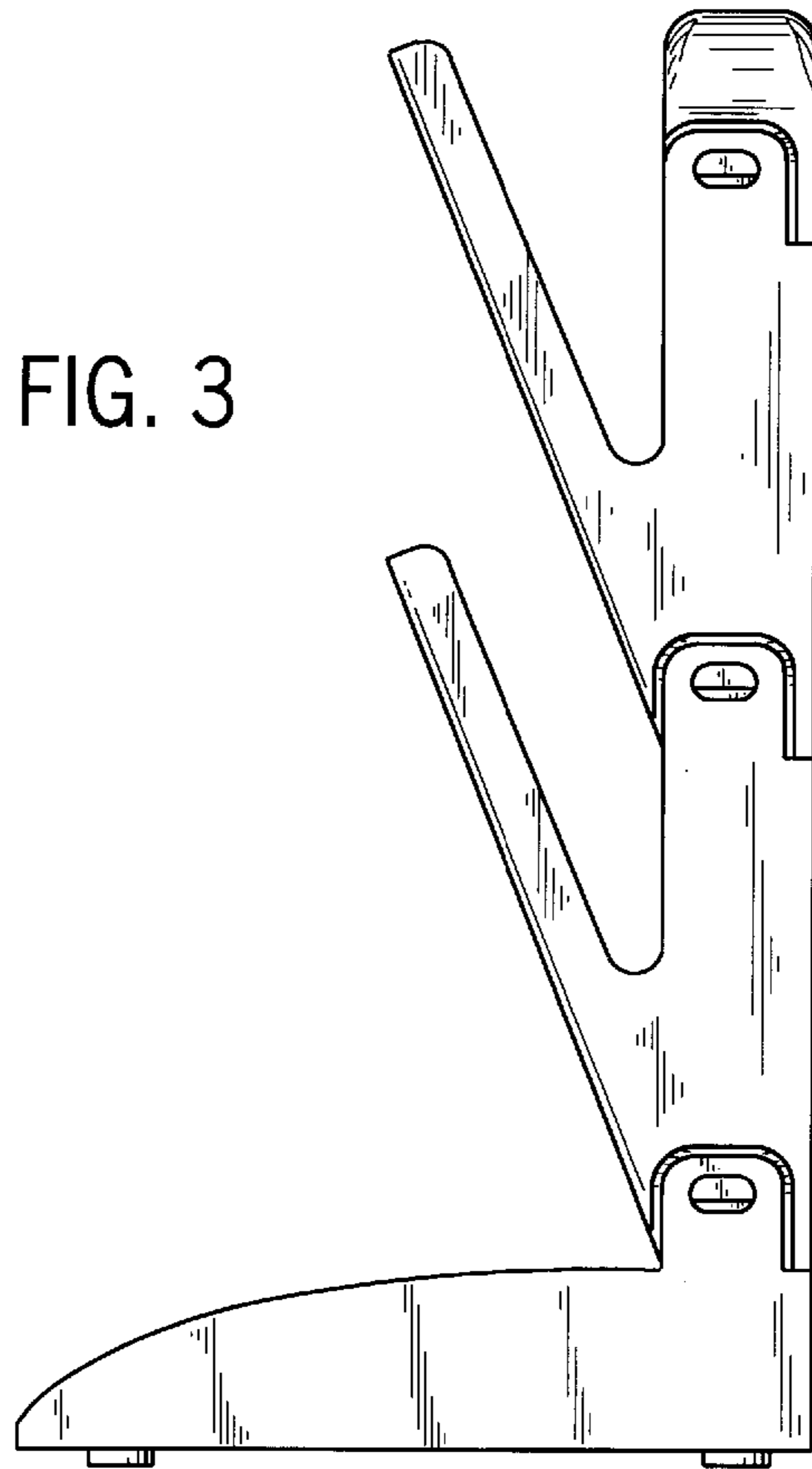


FIG. 5

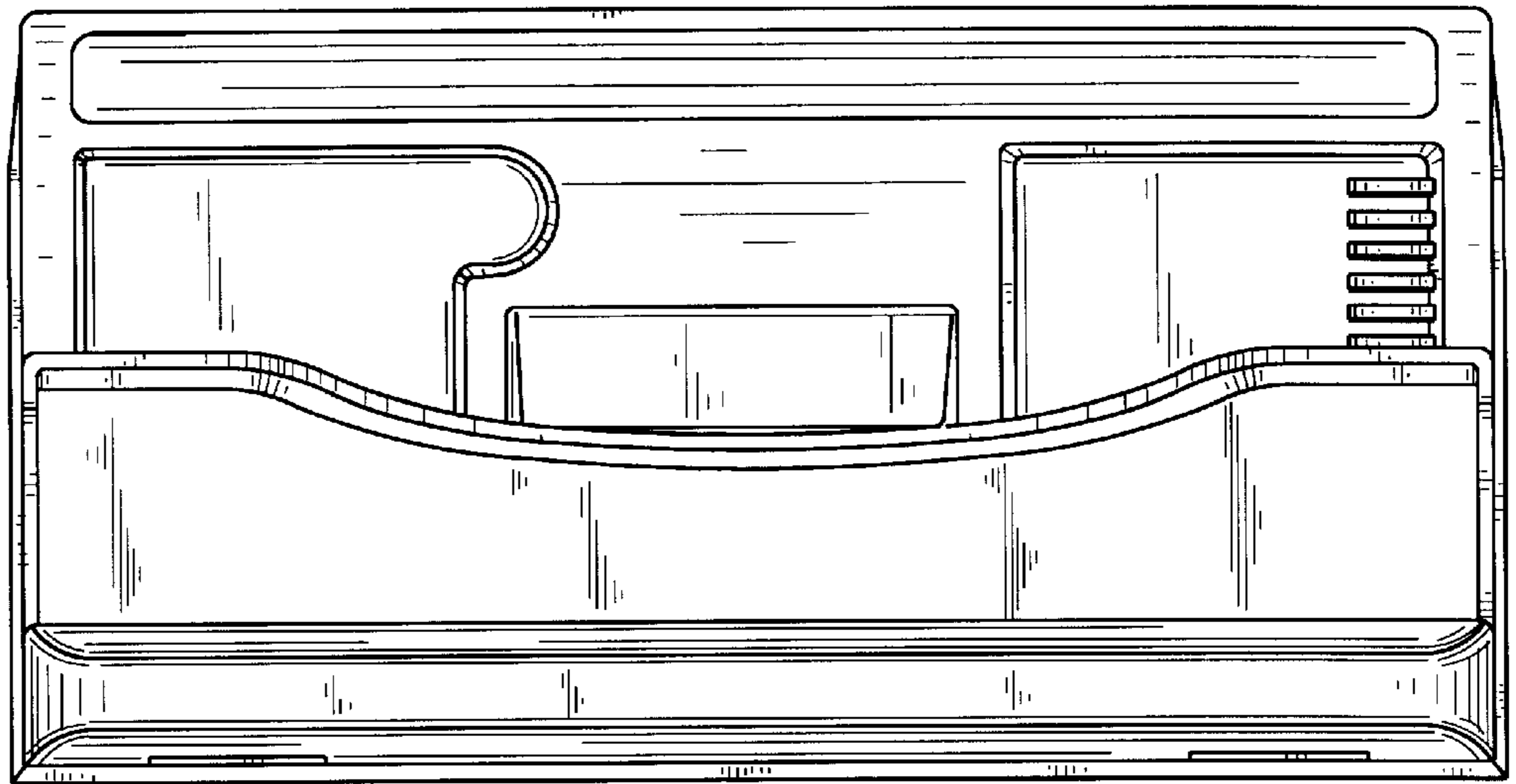


FIG. 4

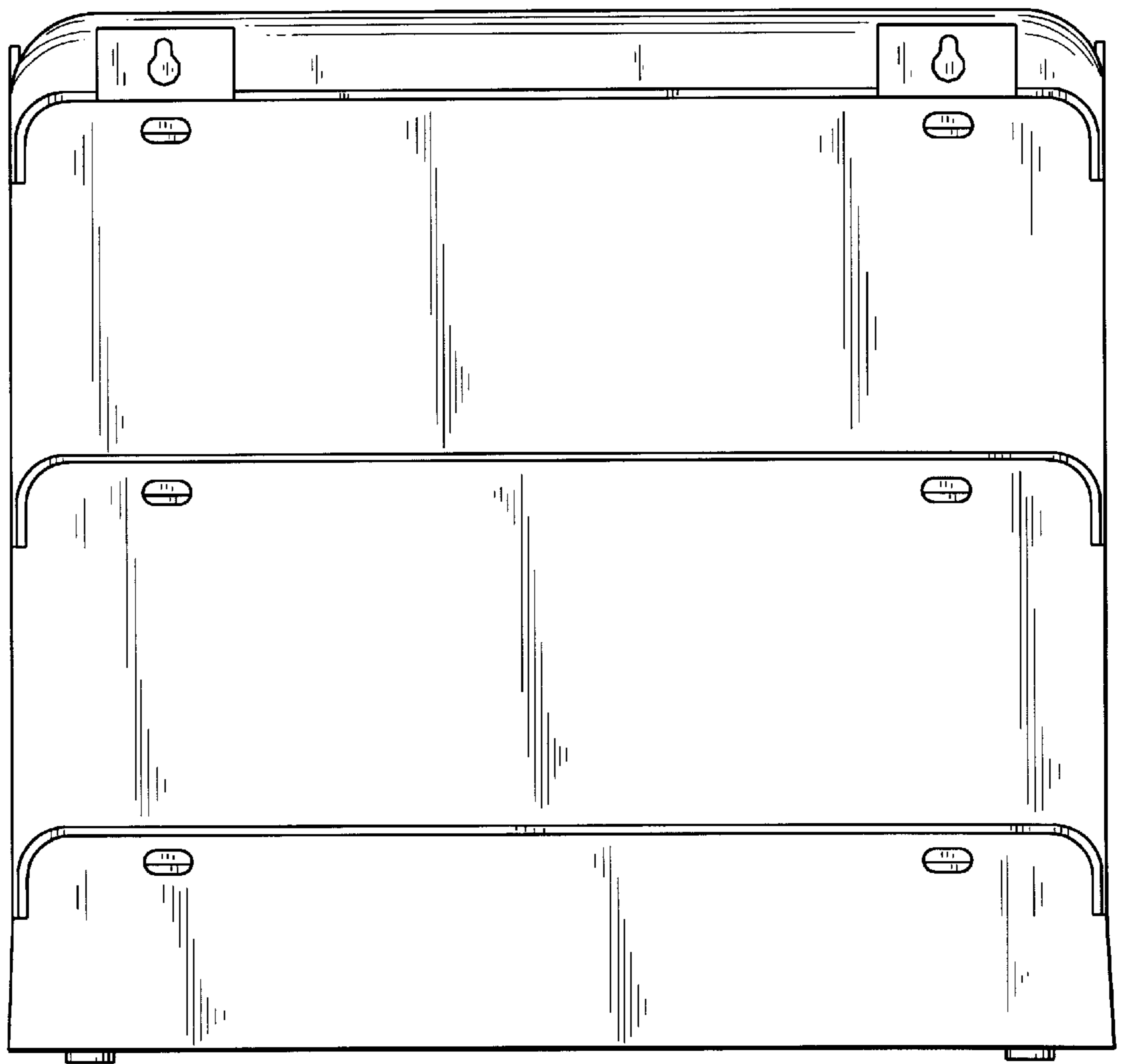


FIG. 6

