



US00D401619S

United States Patent [19]

Joroku et al.

[11] **Patent Number: Des. 401,619**

[45] **Date of Patent: **Nov. 24, 1998**

[54] **TONER SUPPLYING CARTRIDGE FOR AN IMAGE FORMING APPARATUS**

D. 334,771 4/1993 Adachi et al. D18/43
D. 346,179 4/1994 Haida D18/43 X
4,912,563 3/1990 Narita D18/39 X

[75] Inventors: **Kazuo Joroku; Toshihiko Watanabe,**
both of Osaka, Japan

FOREIGN PATENT DOCUMENTS

218790 1/1994 Taiwan .

[73] Assignee: **Mita Industrial Co., Ltd,** Osaka, Japan

Primary Examiner—Caron D. Veynar
Attorney, Agent, or Firm—Beveridge, DeGrandi, Weilacher & Young, L.L.P.

[**] Term: **14 Years**

[21] Appl. No.: **70,298**

[57] CLAIM

[22] Filed: **May 5, 1997**

We claim the ornamental design for a toner supplying cartridge for an image forming apparatus.

[30] Foreign Application Priority Data

DESCRIPTION

Nov. 15, 1996 [JP] Japan 8-34810

[51] **LOC (6) Cl. 16-03**

FIG. 1 is a front elevation view of a toner supplying cartridge for an image forming apparatus;
FIG. 2 is a rear elevation view thereof;
FIG. 3 is a top plan view thereof;
FIG. 4 is a bottom plan view thereof;
FIG. 5 is a left side view thereof;
FIG. 6 is a right side view thereof; and,
FIG. 7 is a perspective view thereof.

[52] **U.S. Cl. D18/43**

[58] **Field of Search** D18/36, 40, 43,
D18/56; 399/24, 25, 27, 31, 61, 99, 106,
110, 111, 119, 130, 262; 222/DIG. 1

[56] References Cited

U.S. PATENT DOCUMENTS

D. 298,258 10/1988 Masaki D18/43

1 Claim, 3 Drawing Sheets

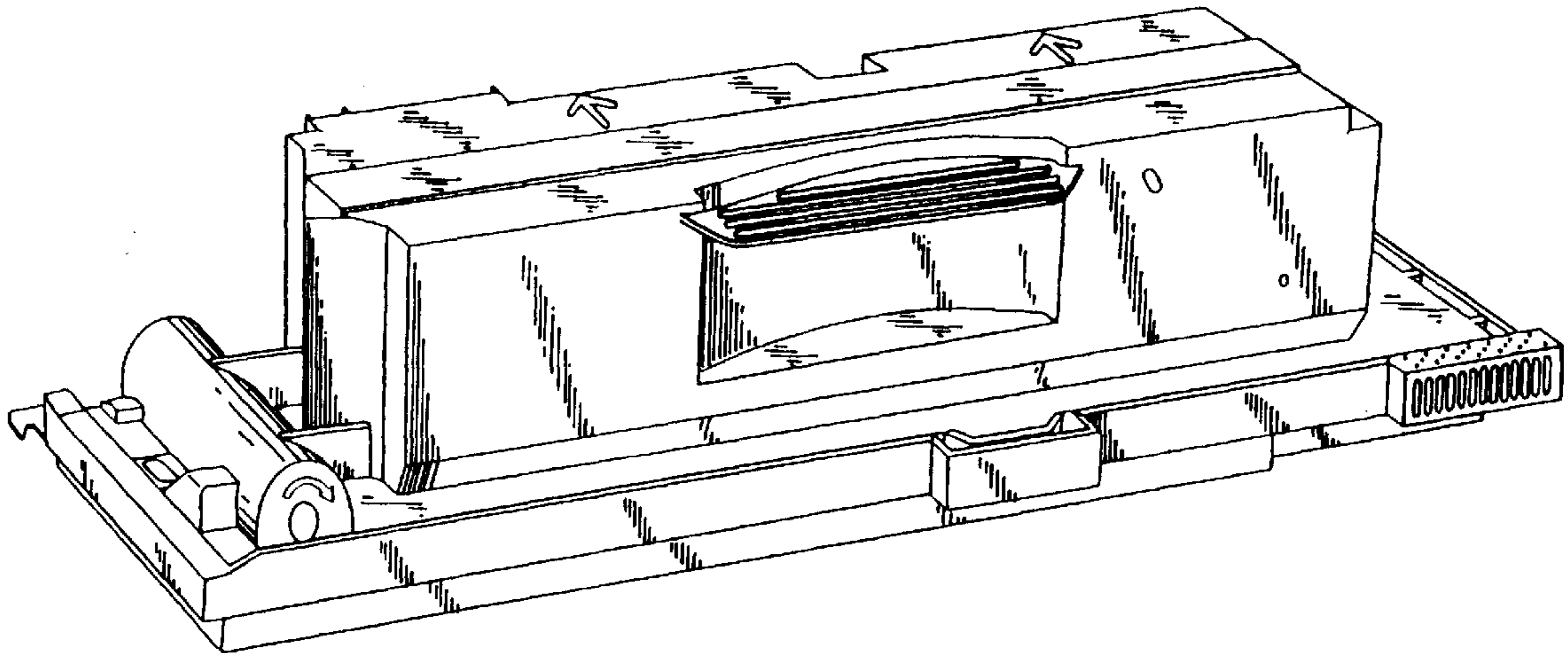


FIG. 1

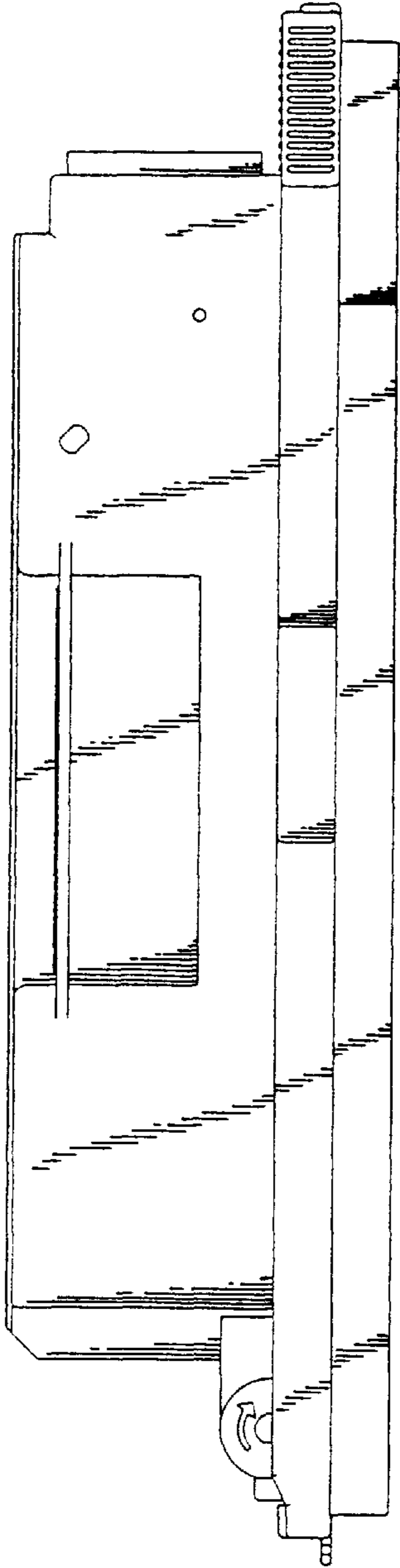


FIG. 2

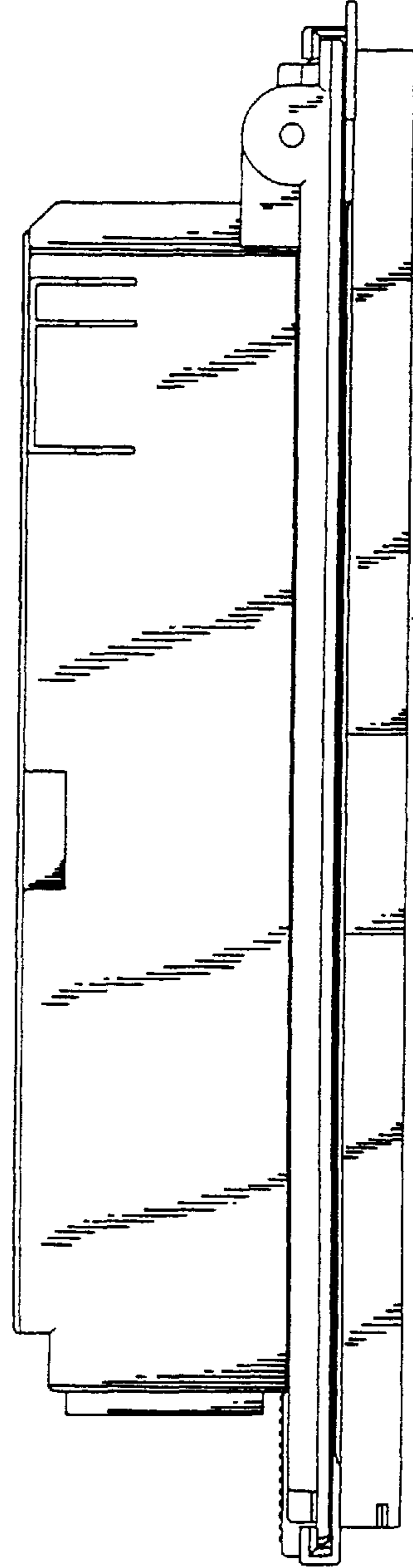


FIG. 3

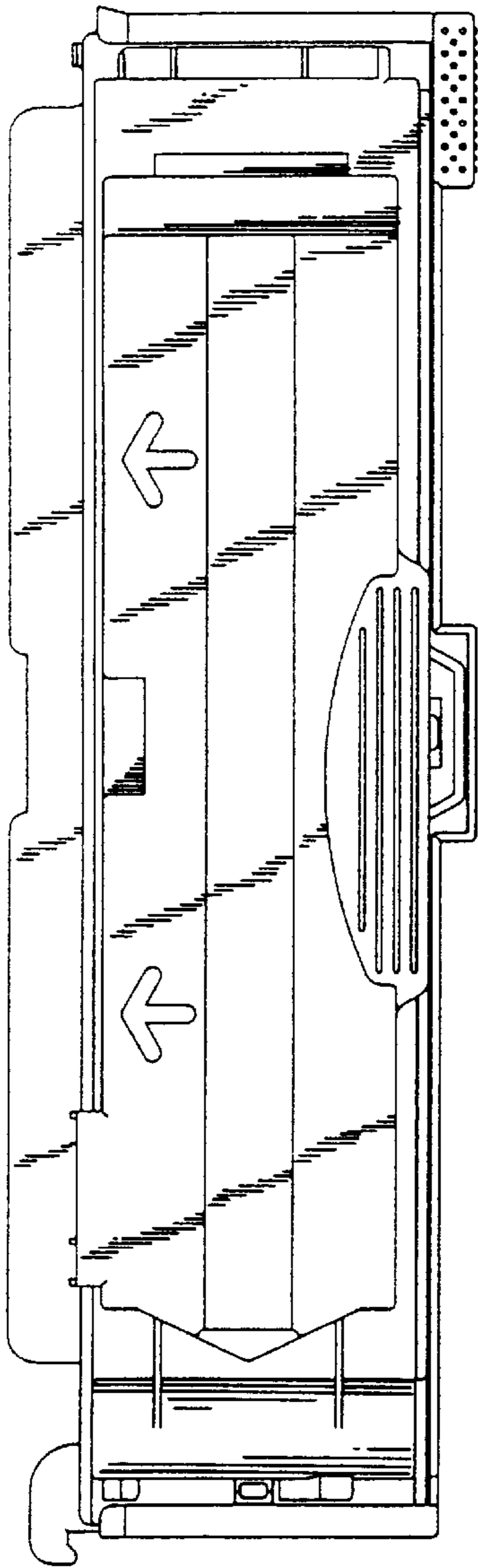


FIG. 4

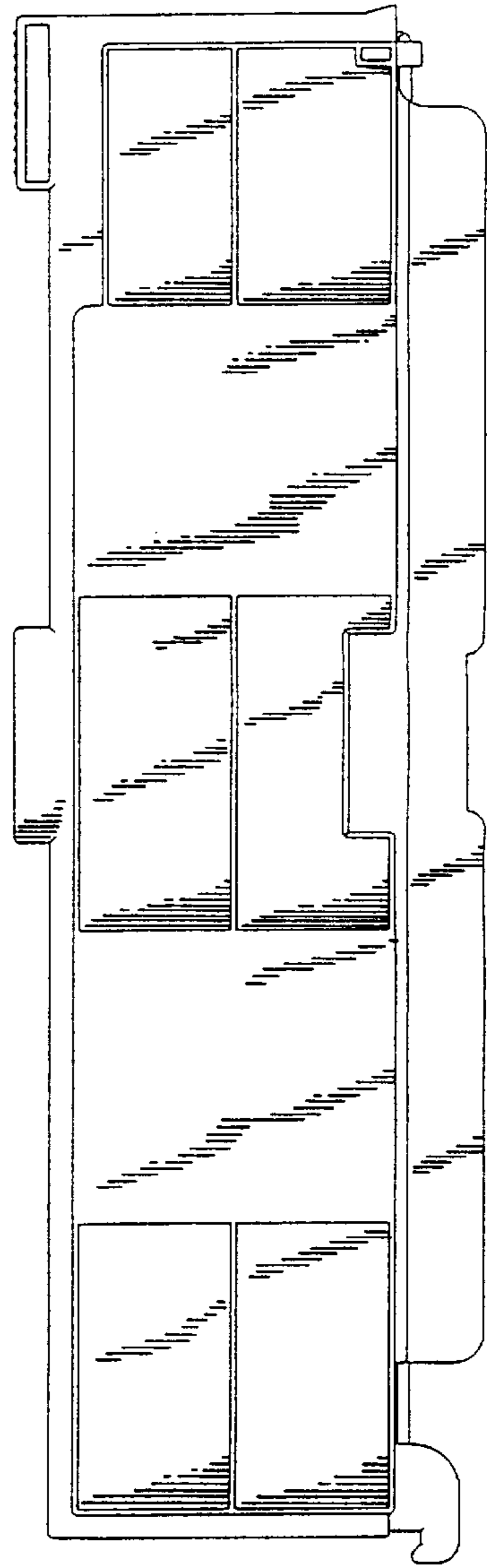


FIG. 6

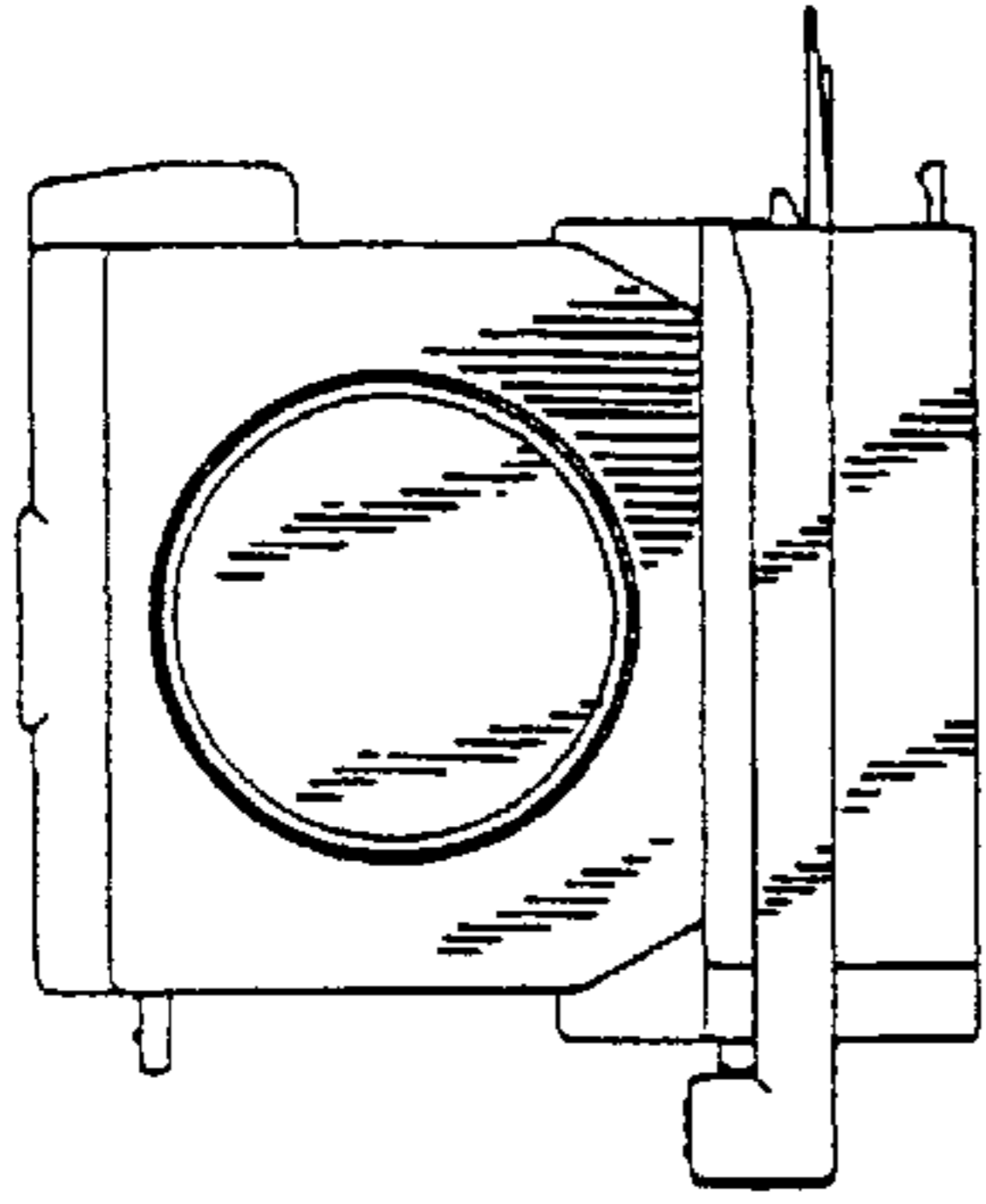


FIG. 5

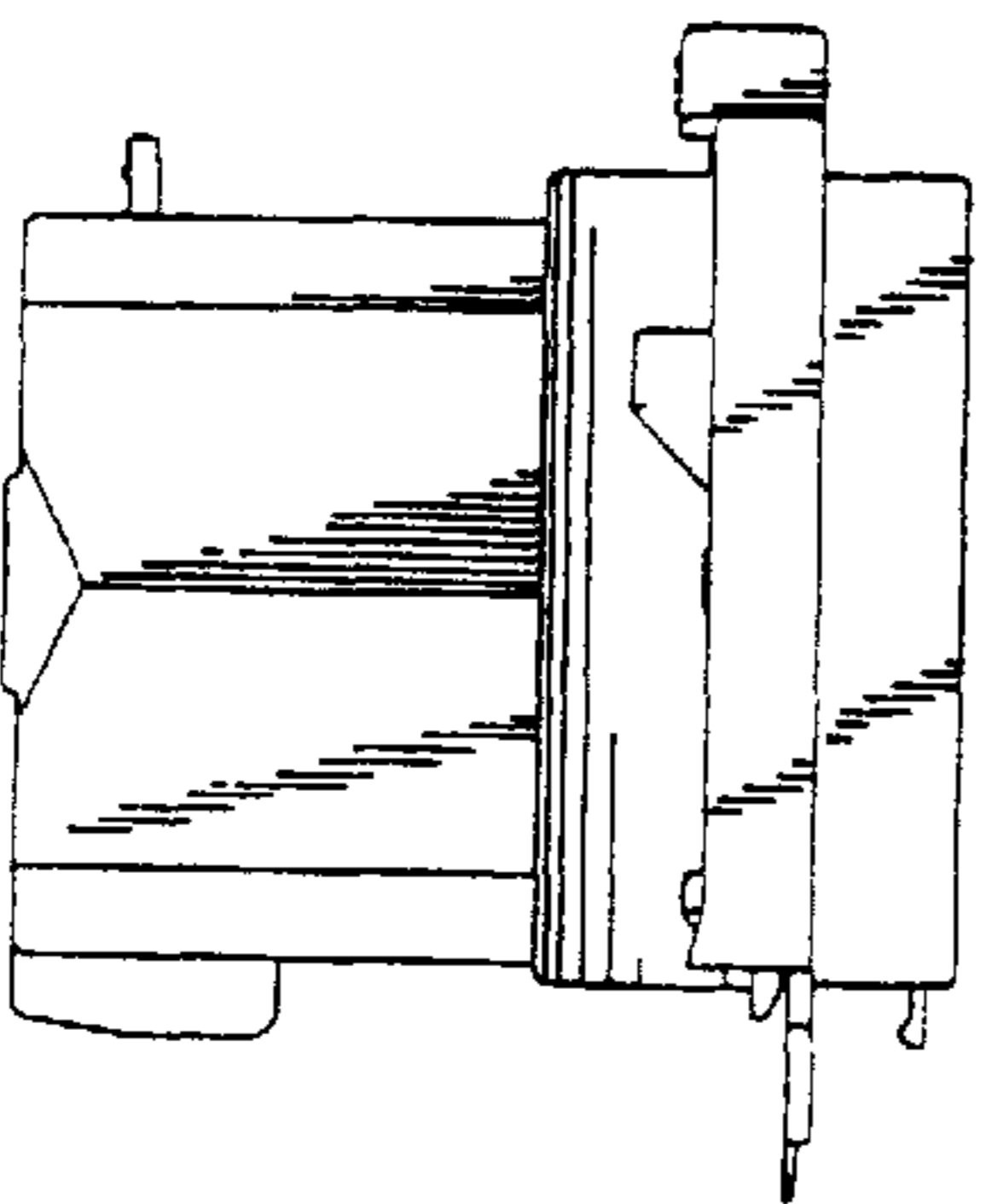


FIG. 7

