



US00D401618S

United States Patent [19] Ikehata

[11] **Patent Number: Des. 401,618**

[45] **Date of Patent: **Nov. 24, 1998**

[54] **TONER CARTRIDGE**

[75] Inventor: **Yoshiaki Ikehata**, Mie, Japan

[73] Assignee: **Kyocera Corporation**, Kyoto, Japan

[**] Term: **14 Years**

[21] Appl. No.: **66,530**

[22] Filed: **Feb. 14, 1997**

[30] **Foreign Application Priority Data**

Aug. 19, 1996 [JP] Japan 8-24763

[51] **LOC (6) Cl.** **16-03**

[52] **U.S. Cl.** **D18/43; D18/56**

[58] **Field of Search** D18/36, 40, 43,
D18/56; 399/24.25, 27, 31, 61, 99, 106,
110, 111, 119, 130, 262; 222/DIG. 1

[56] **References Cited**

U.S. PATENT DOCUMENTS

D. 356,108 3/1995 Kondoh D18/43

D. 379,829 6/1997 Hayashi D18/43 X
4,912,563 3/1990 Narita D18/39 X
4,949,399 8/1990 Williams et al. D18/43 X

Primary Examiner—Caron D. Veynar
Attorney, Agent, or Firm—Loeb & Loeb LLP

[57] **CLAIM**

The ornamental design for a toner cartridge, as shown and described.

DESCRIPTION

FIG. 1 is a perspective view and the front top and right side of a toner cartridge showing my new design;

FIG. 2 is a front view thereof;

FIG. 3 is a top plan view thereof;

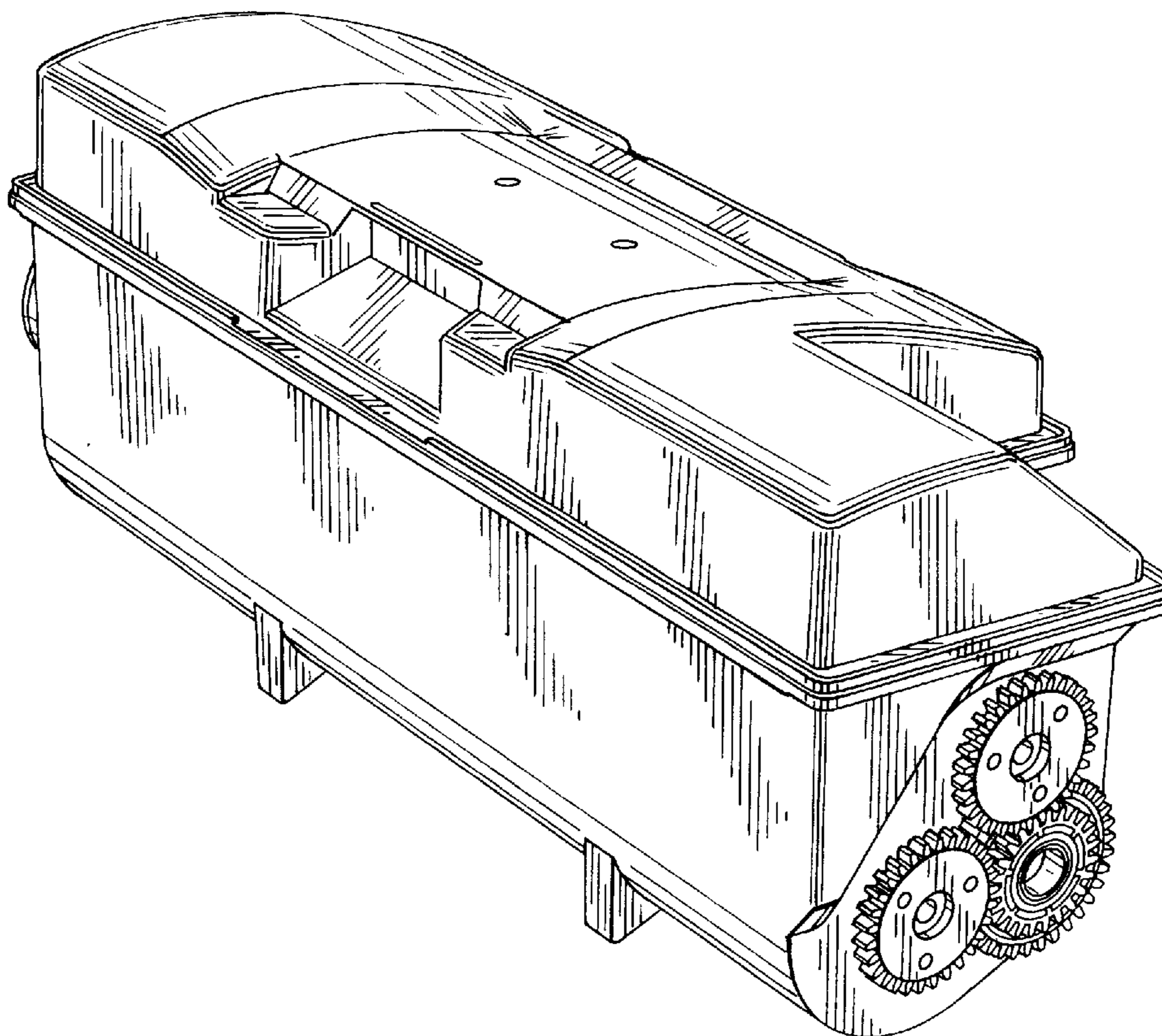
FIG. 4 is a left side view thereof;

FIG. 5 is a right side view thereof;

FIG. 6 is a rear view thereof; and,

FIG. 7 is a bottom view thereof.

1 Claim, 3 Drawing Sheets



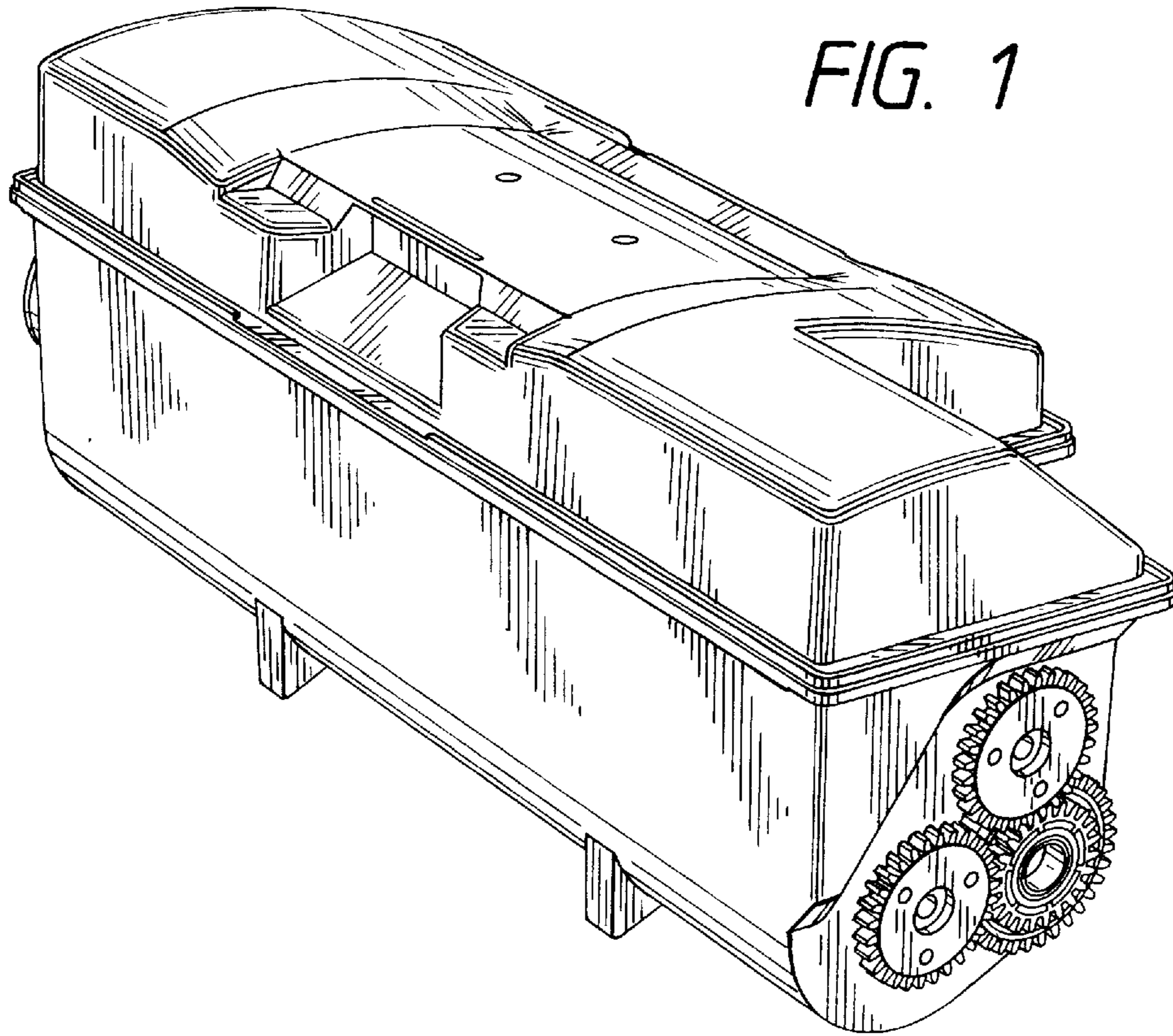


FIG. 2

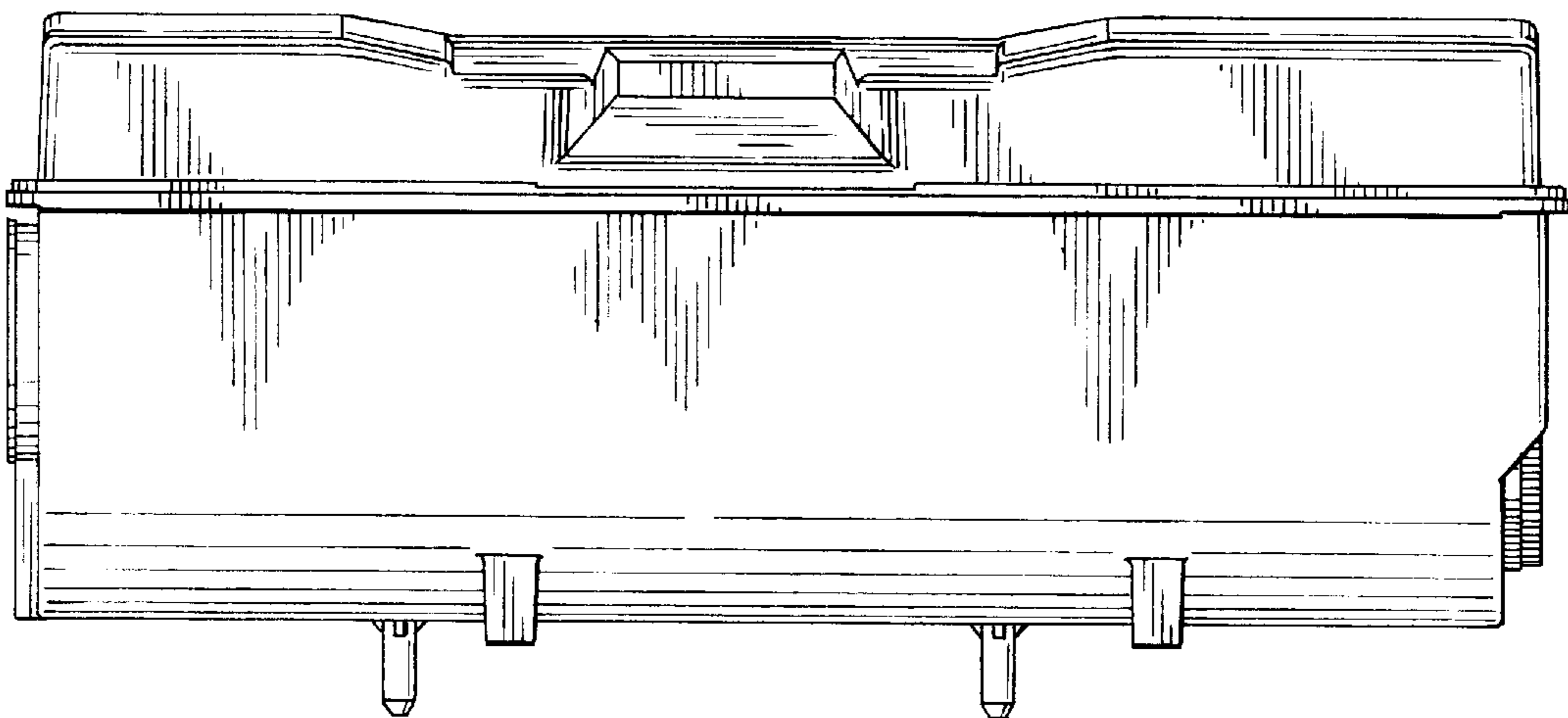


FIG. 3

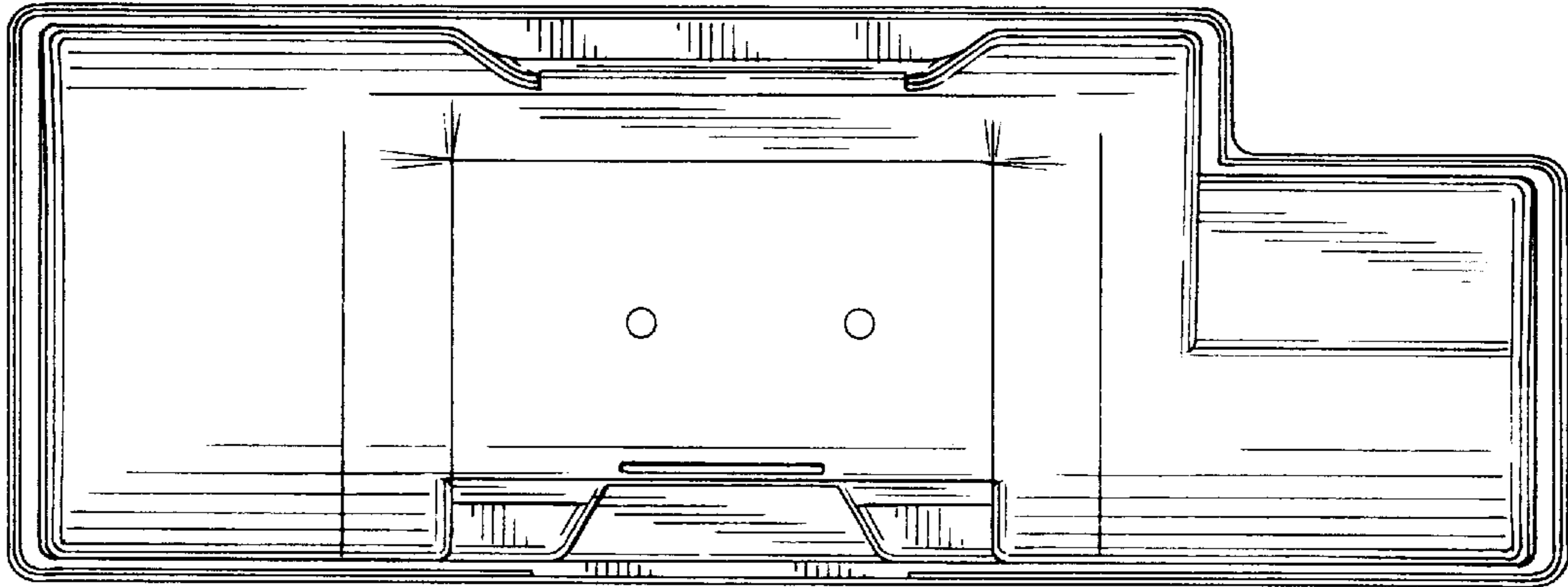


FIG. 4

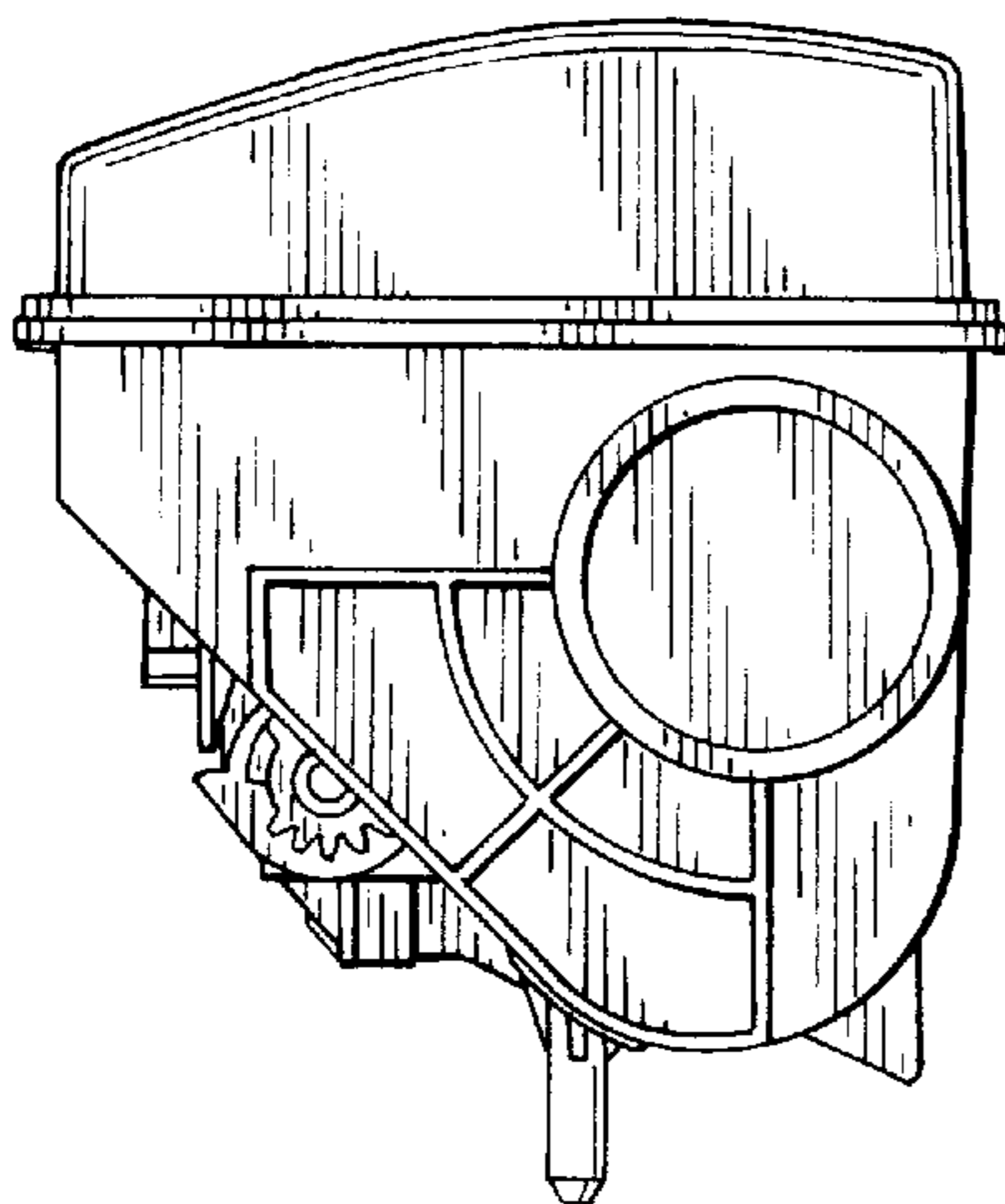


FIG. 5

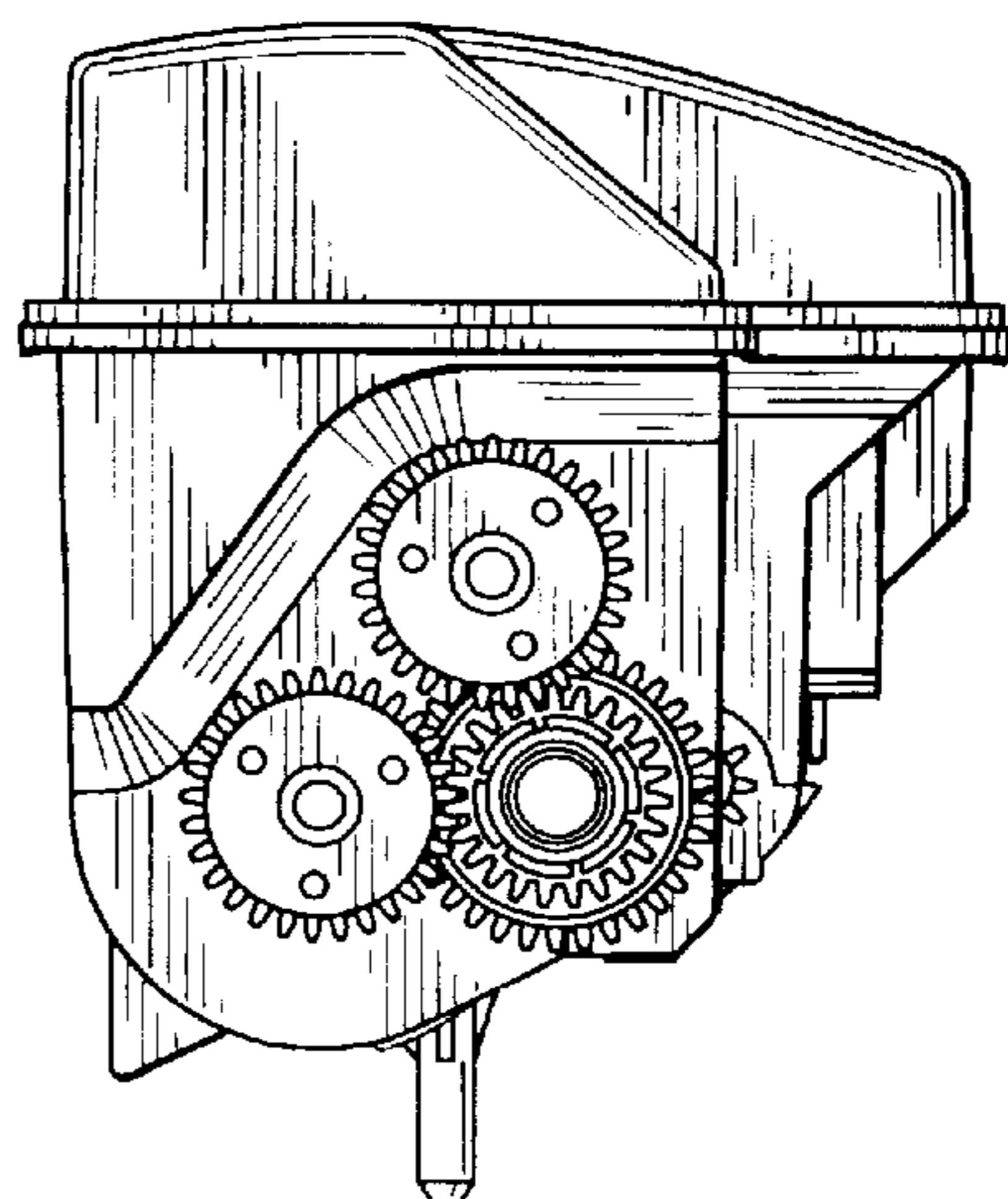


FIG. 6

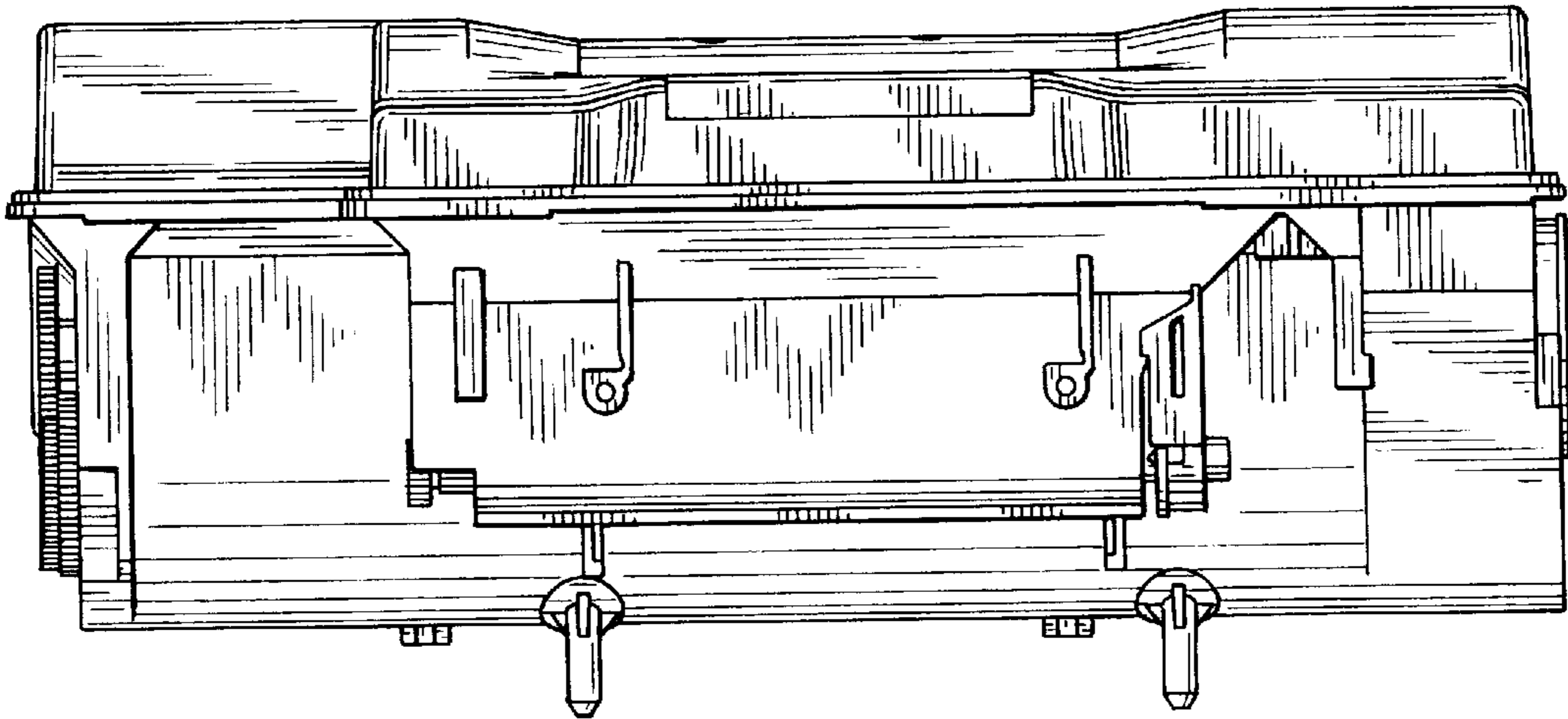


FIG. 7

