



US00D401617S

**United States Patent** [19]  
**Miyazawa**

[11] **Patent Number: Des. 401,617**

[45] **Date of Patent: \*\*Nov. 24, 1998**

[54] **IMAGE FORMING APPARATUS**

[75] Inventor: **Yoshihiro Miyazawa**, Tokyo, Japan

[73] Assignee: **Canon Kabushiki Kaisha**, Tokyo, Japan

[\*\*] Term: **14 Years**

[21] Appl. No.: **79,215**

[22] Filed: **Nov. 14, 1997**

[30] **Foreign Application Priority Data**

May 22, 1997 [JP] Japan ..... 9-055185

[51] **LOC (6) Cl.** ..... **16-03**

[52] **U.S. Cl.** ..... **D18/40; D18/56**

[58] **Field of Search** ..... D18/40, 43, 36,  
D18/56; 399/24, 25, 27, 31, 119, 130, 222,  
252, 262

[56] **References Cited**

**U.S. PATENT DOCUMENTS**

D. 298,333 11/1988 Masaki et al. .... D18/43

D. 357,272 4/1995 Tokuda et al. .... D18/40 X  
D. 378,525 3/1997 Ito ..... D18/40

*Primary Examiner*—Caron D. Veynar  
*Attorney, Agent, or Firm*—Fitzpatrick, Cella, Harper & Scinto

[57] **CLAIM**

The ornamental design for an image forming apparatus, as shown and described.

**DESCRIPTION**

FIG. 1 is a front view of an image forming apparatus showing my new design;

FIG. 2 is a rear view thereof;

FIG. 3 is a top plan view thereof;

FIG. 4 is a bottom plan view thereof;

FIG. 5 is a left side view thereof;

FIG. 6 is a right side view thereof;

FIG. 7 is a perspective view seen from above thereof; and,

FIG. 8 is a perspective view seen from below thereof.

**1 Claim, 4 Drawing Sheets**

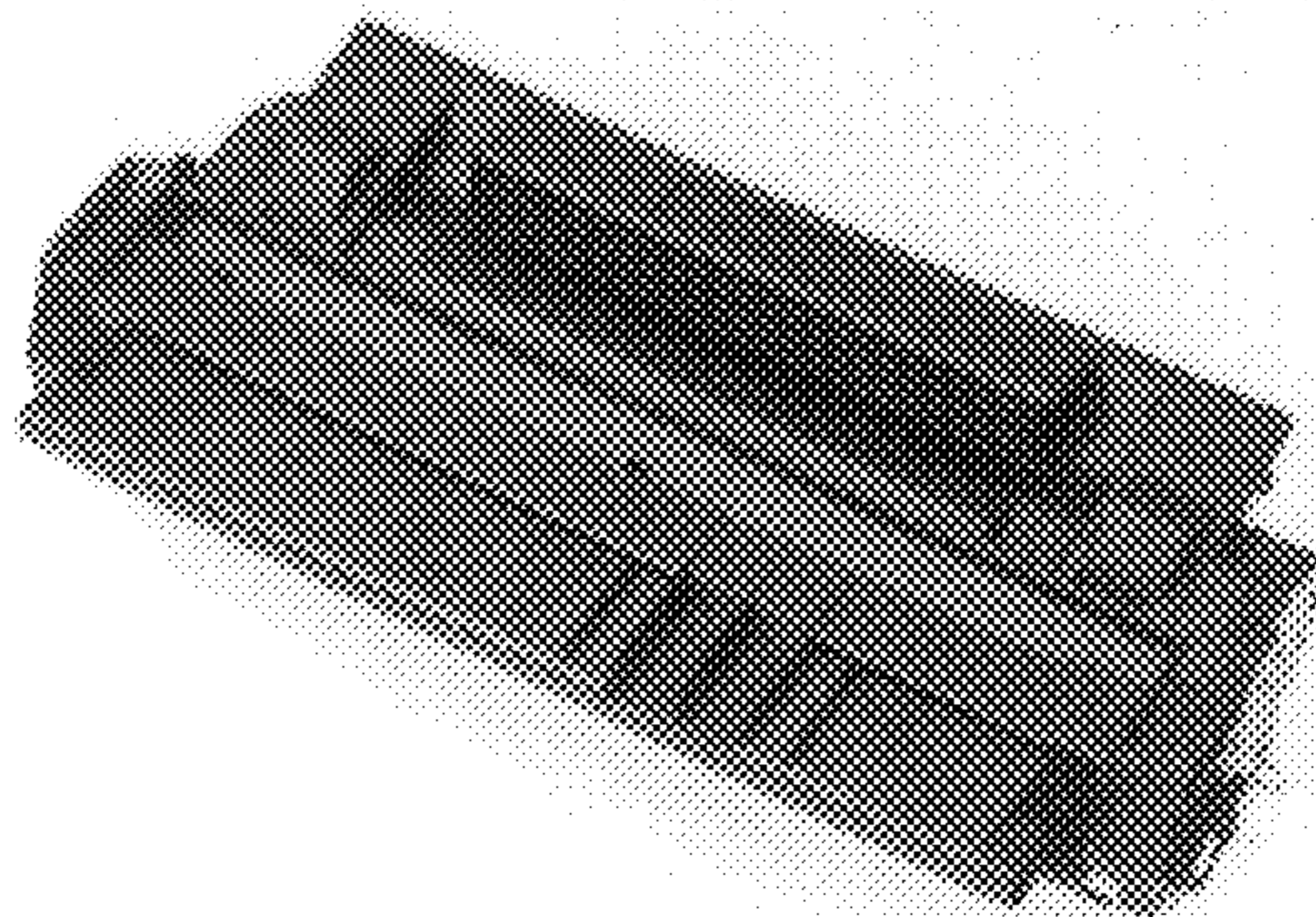




FIG. 1



FIG. 2

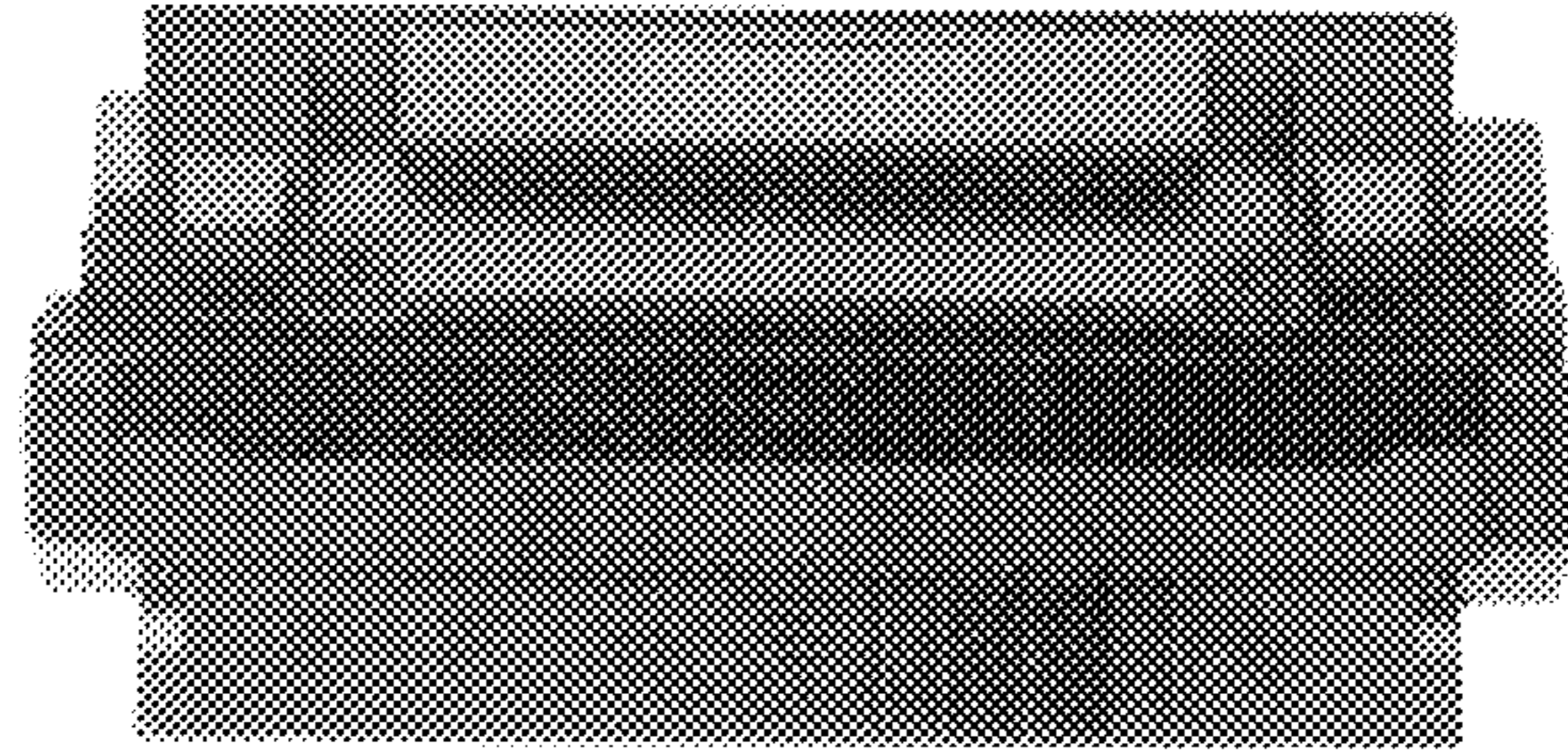


FIG. 3

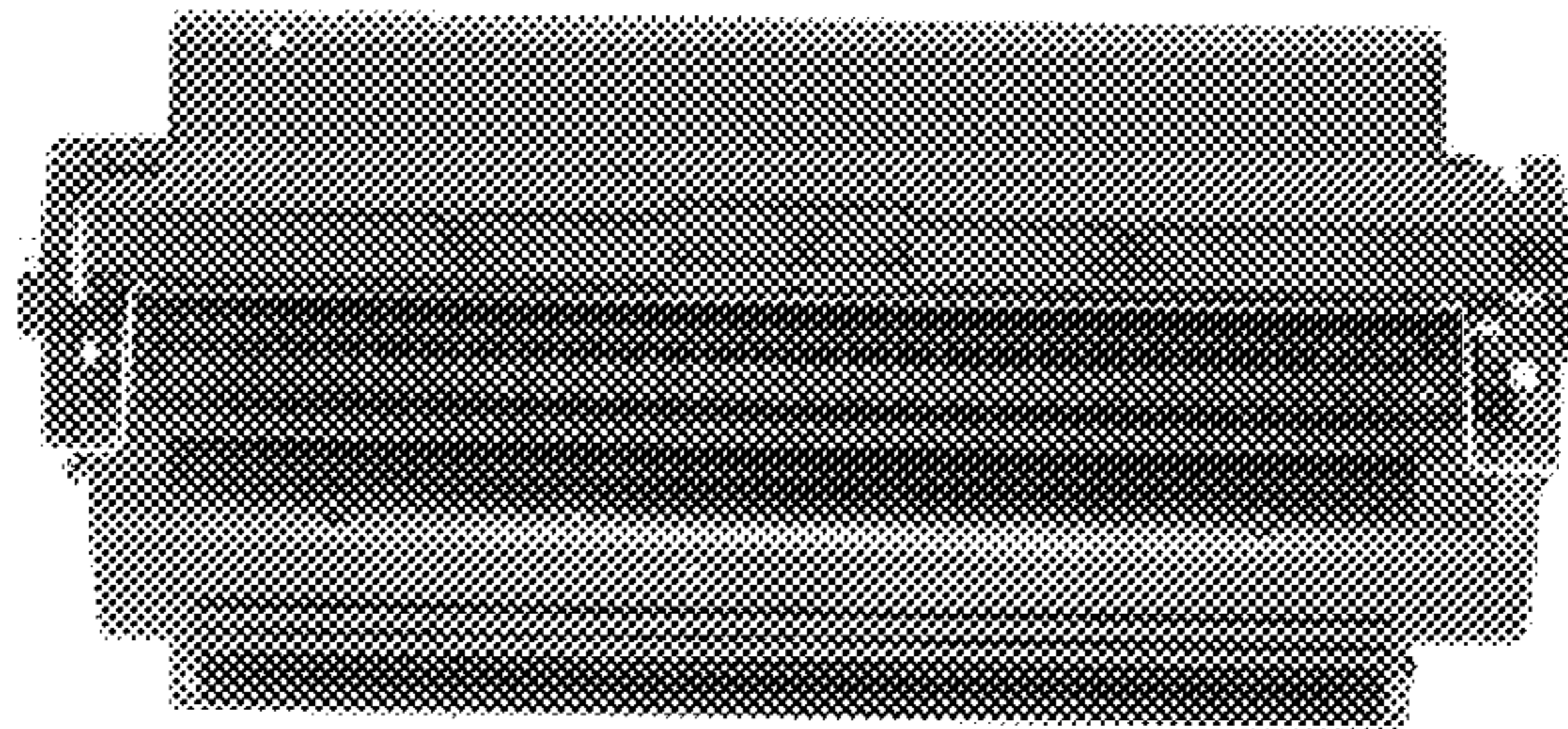


FIG. 4

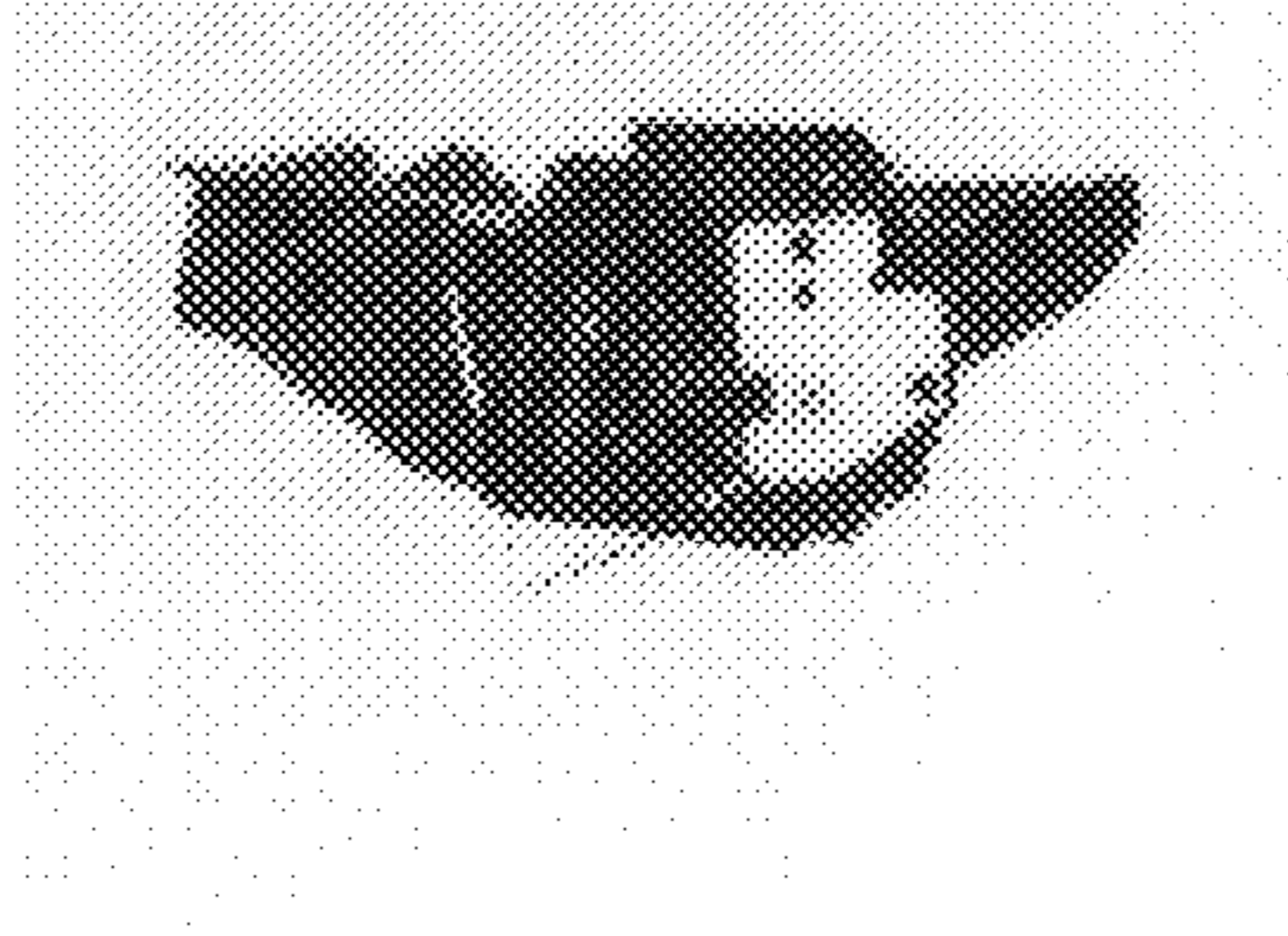


FIG. 5

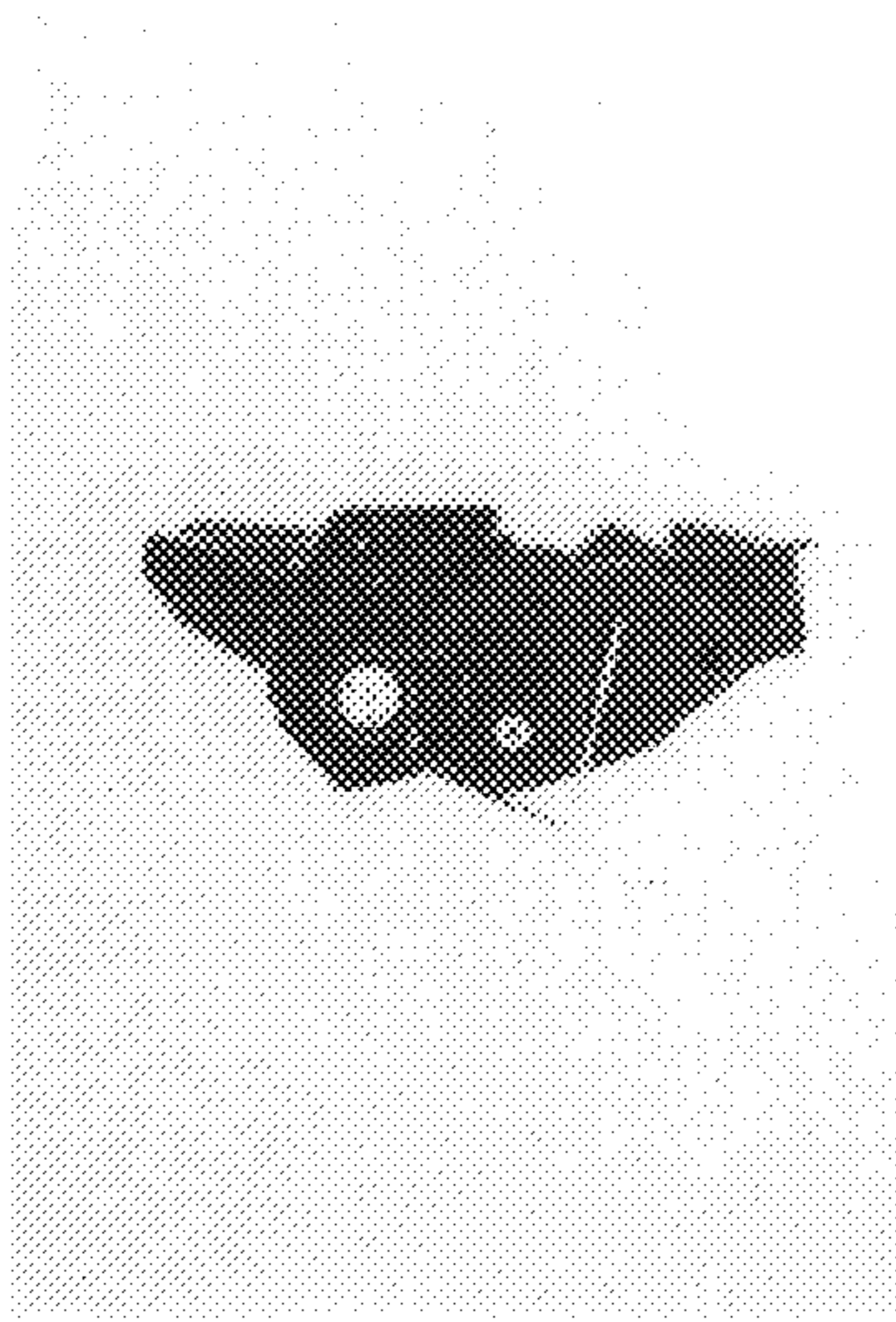


FIG. 6

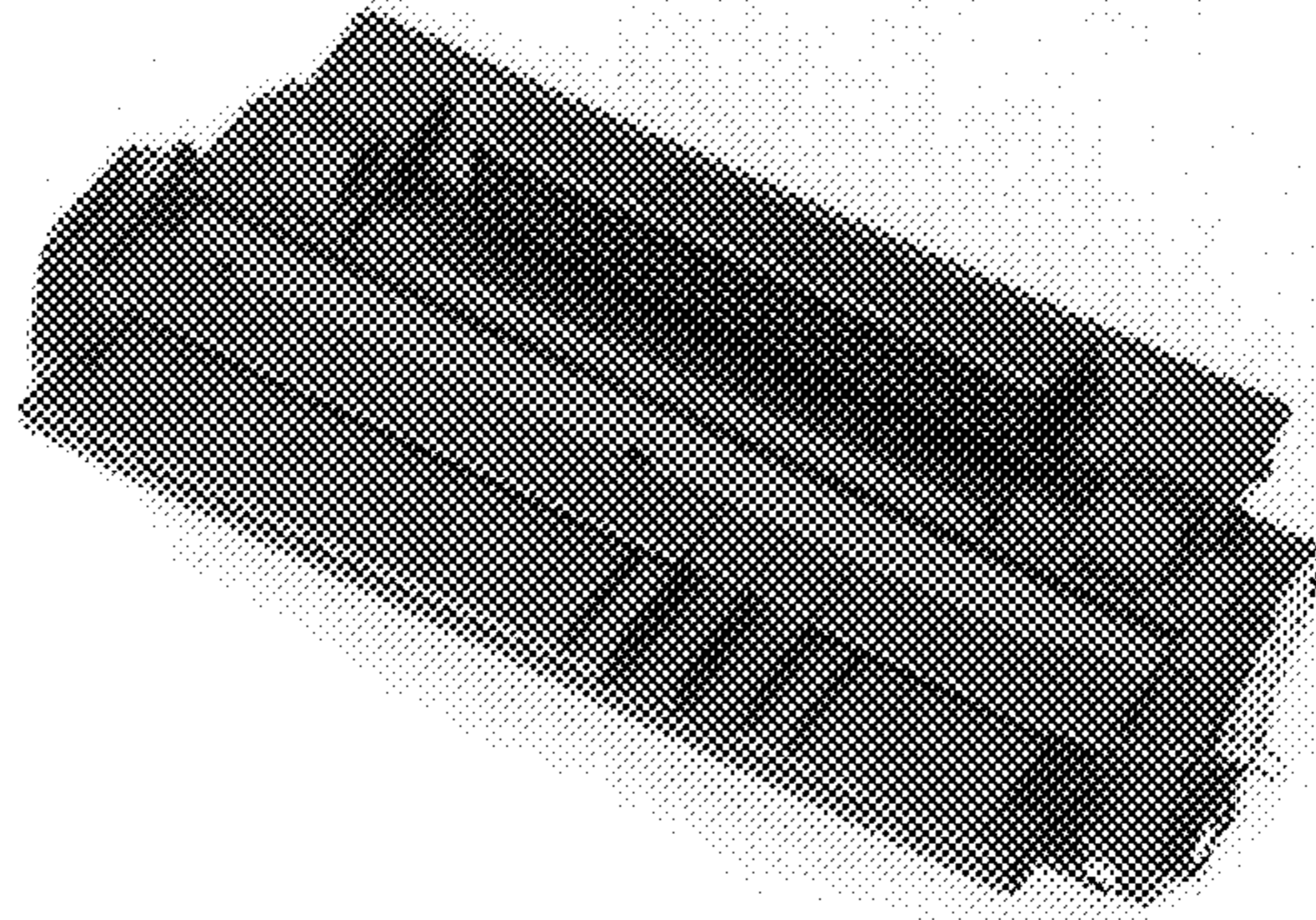


FIG. 7

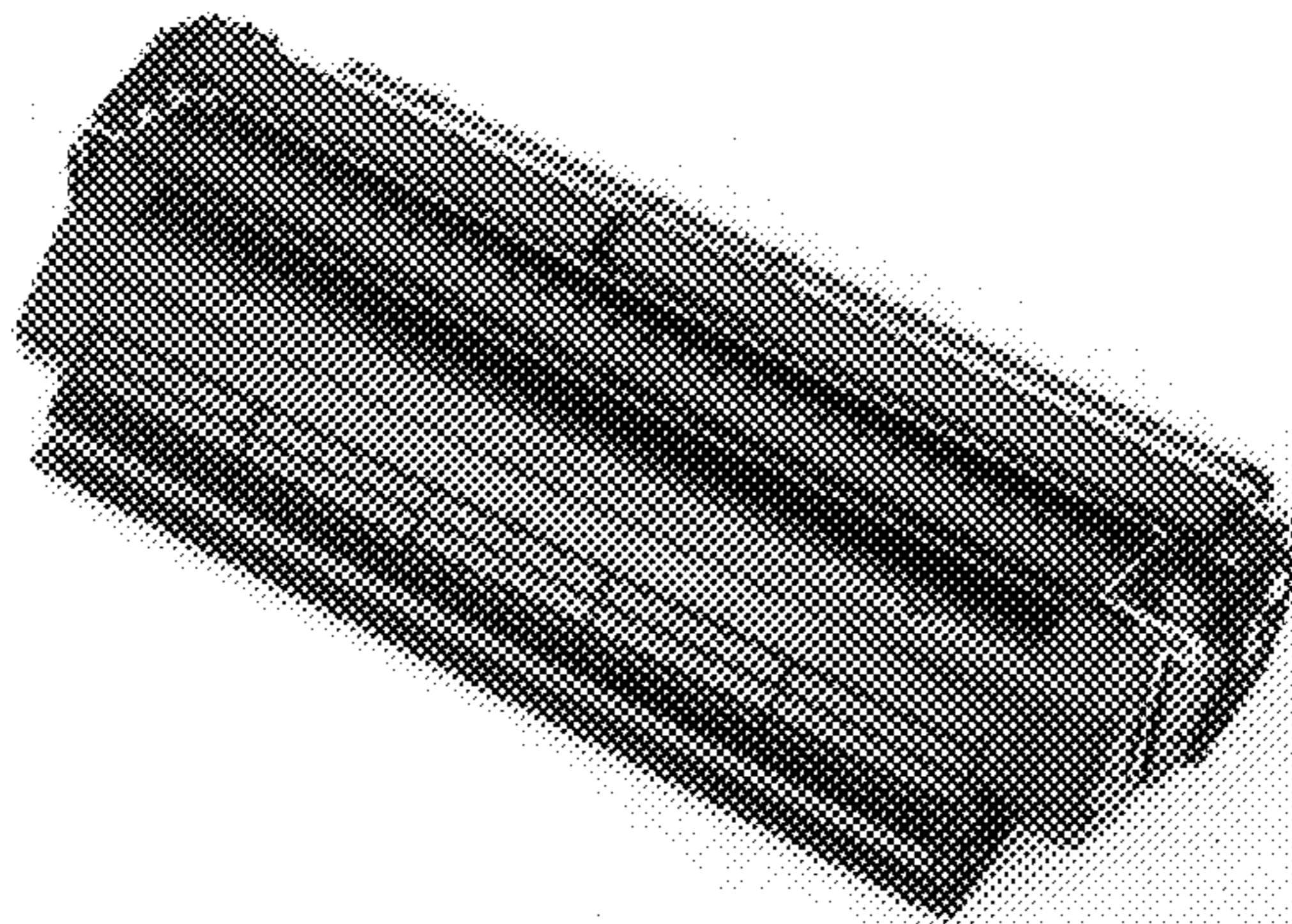


FIG. 8