



US00D401615S

# United States Patent [19]

Goto et al.

[11] Patent Number: **Des. 401,615**

[45] Date of Patent: **\*\*Nov. 24, 1998**

[54] **DEVELOPING UNIT FOR FORMING AN IMAGE**

[75] Inventors: **Masaru Goto; Masanobu Maeshima; Hiroyuki Hazama**, all of Osaka, Japan

[73] Assignee: **Mita Industrial Co., Ltd.**, Osaka, Japan

[\*\*] Term: **14 Years**

[21] Appl. No.: **70,242**

[22] Filed: **May 2, 1997**

[30] **Foreign Application Priority Data**

Nov. 15, 1996 [JP] Japan ..... 8-34811

[51] **LOC (6) Cl.** ..... **16-03**

[52] **U.S. Cl.** ..... **D18/40**

[58] **Field of Search** ..... D18/36, 40, 43, D18/56; 399/24, 25, 27, 31, 61, 99, 106, 110, 111, 119, 130, 262; 222/DIG. 1

[56] **References Cited**

**U.S. PATENT DOCUMENTS**

D. 286,541 11/1986 Takahashi et al. .... D18/36 X  
D. 303,543 9/1989 Seki ..... D18/36

D. 308,696 6/1990 Tanizawa et al. .... D18/40  
D. 362,677 9/1995 Ishibashi et al. .... D18/43  
4,839,691 6/1989 Tagawa et al. .... 399/12  
4,912,563 3/1990 Narita ..... D18/39 X

*Primary Examiner*—Caron D. Veynar  
*Attorney, Agent, or Firm*—Spencer & Frank

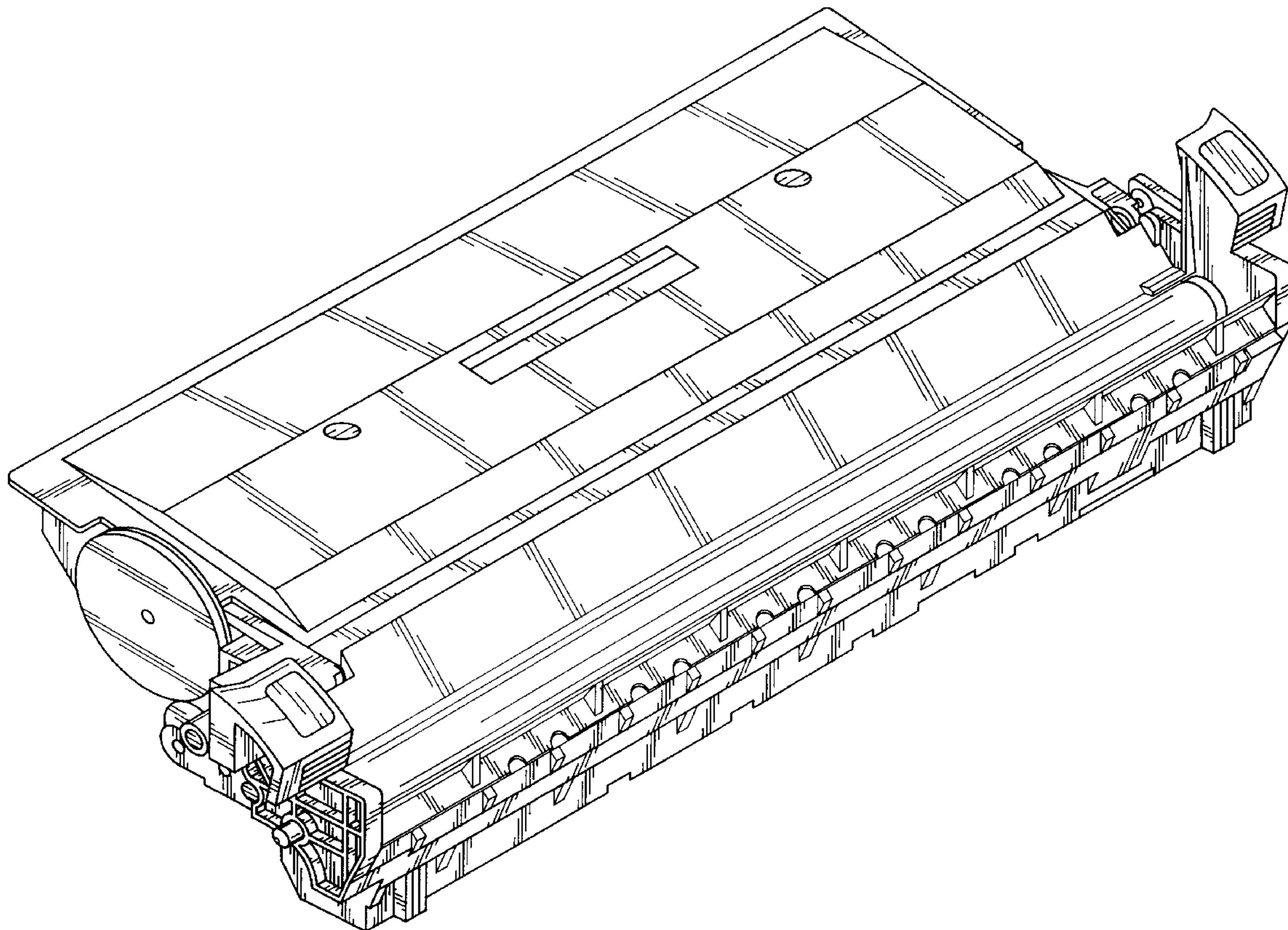
[57] **CLAIM**

The ornamental design for a developing unit for forming an image, as shown.

**DESCRIPTION**

FIG. 1 is a top view of a developing unit for forming an image;  
FIG. 2 is a front view of a developing unit for forming an image;  
FIG. 3 is a bottom view of a developing unit for forming an image;  
FIG. 4 is a back view of a developing unit for forming an image;  
FIG. 5 is a left side view of a developing unit for forming an image;  
FIG. 6 is a right side view of a developing unit for forming an image; and,  
FIG. 7 is an enlarged perspective view of a developing unit for forming an image.

**1 Claim, 3 Drawing Sheets**



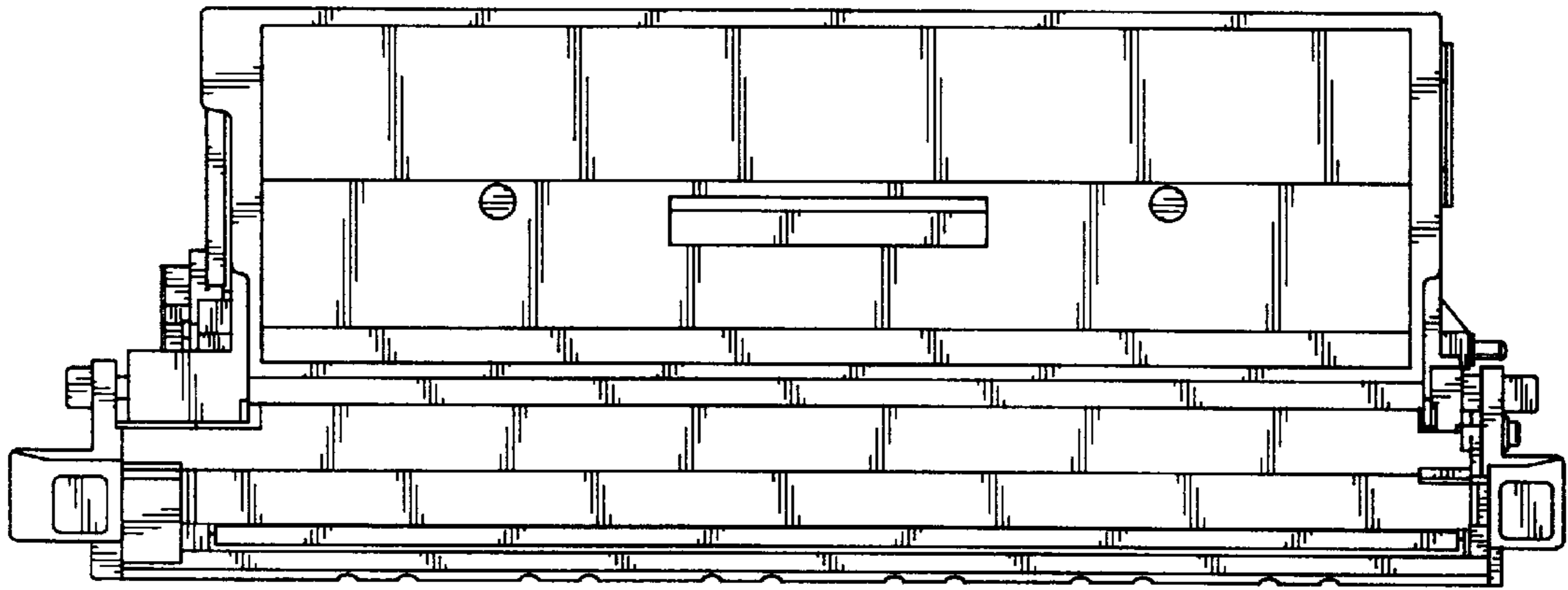


FIG. 1

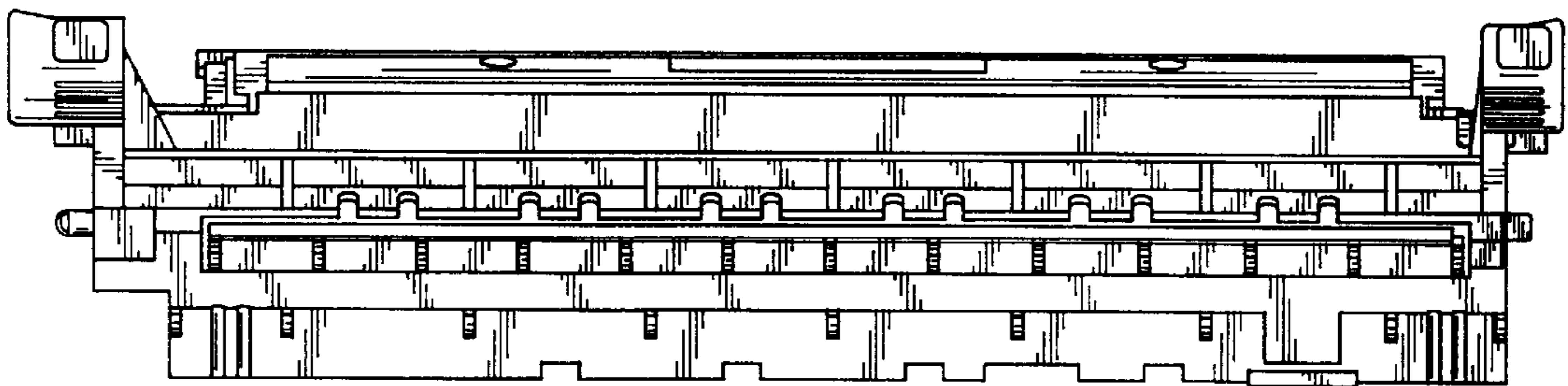


FIG. 2

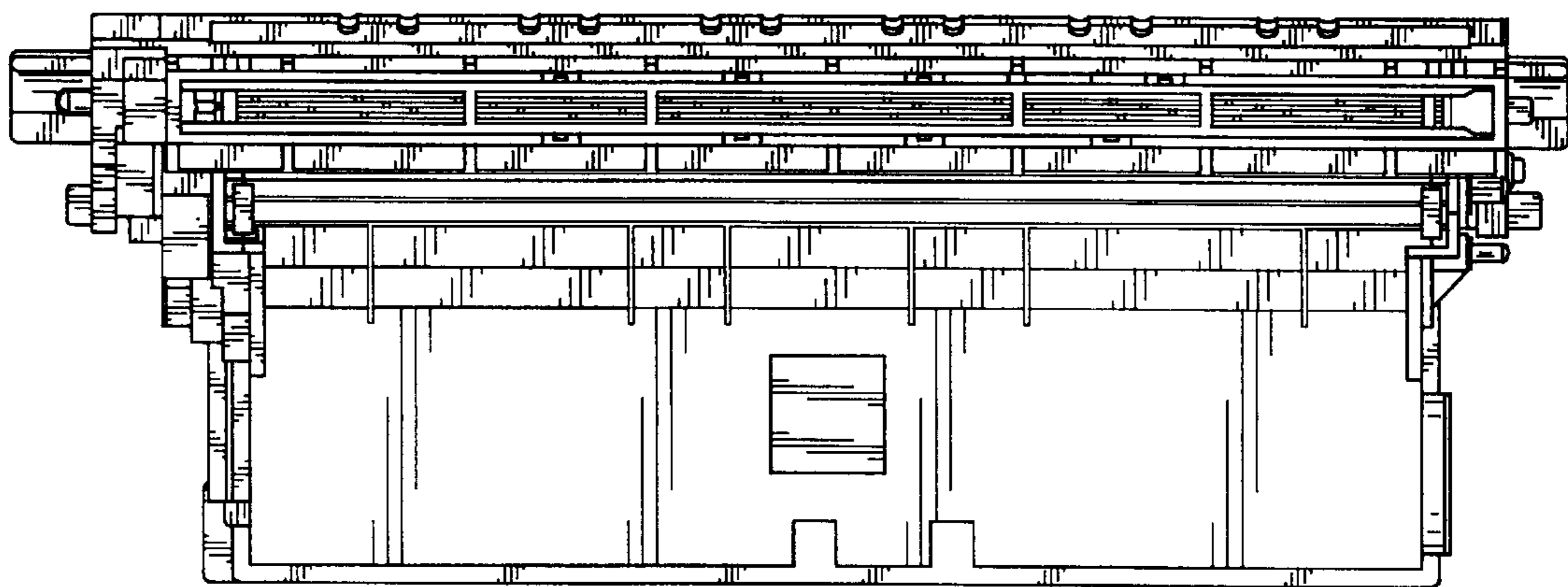


FIG. 3

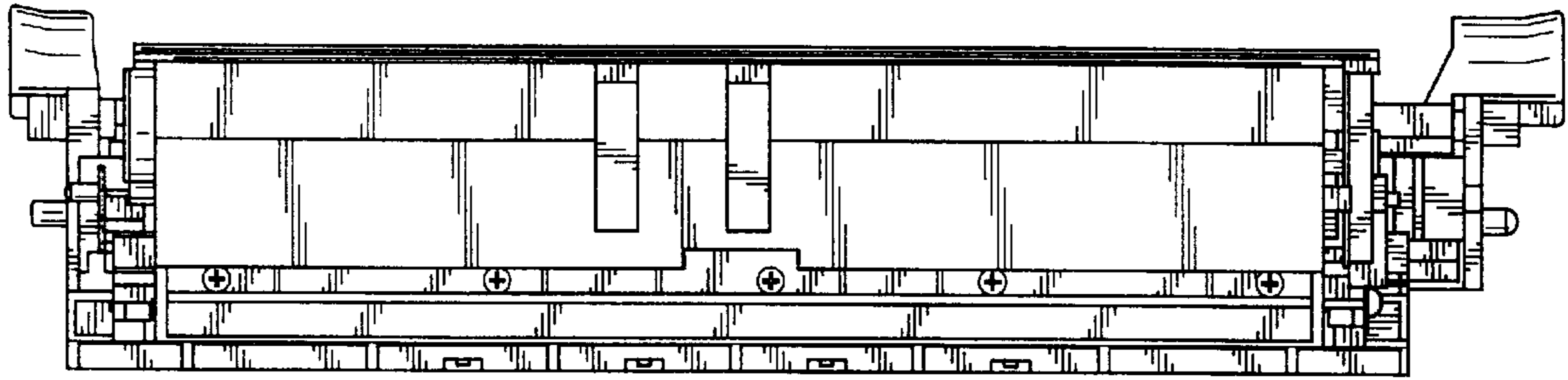


FIG. 4

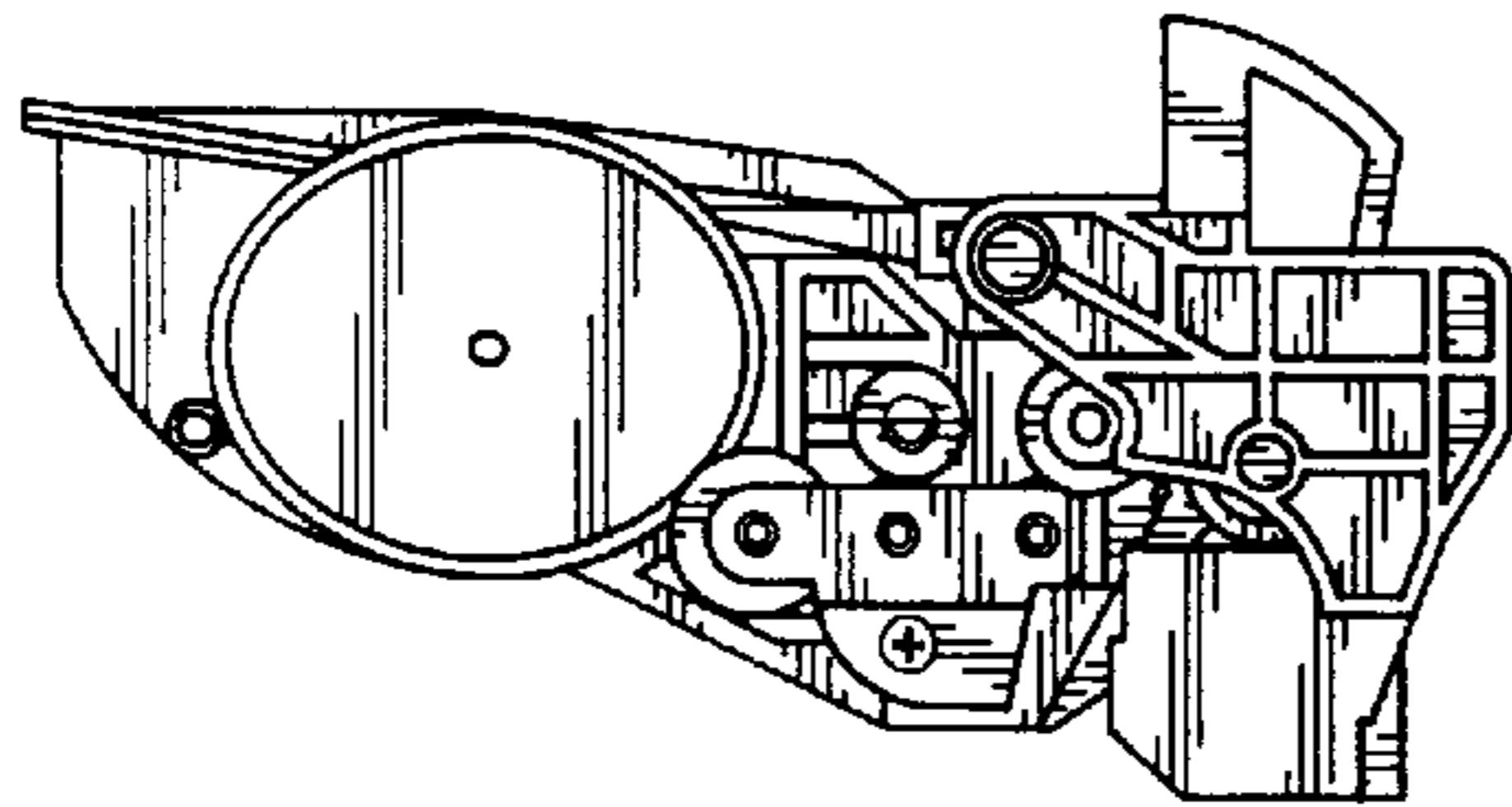


FIG. 5

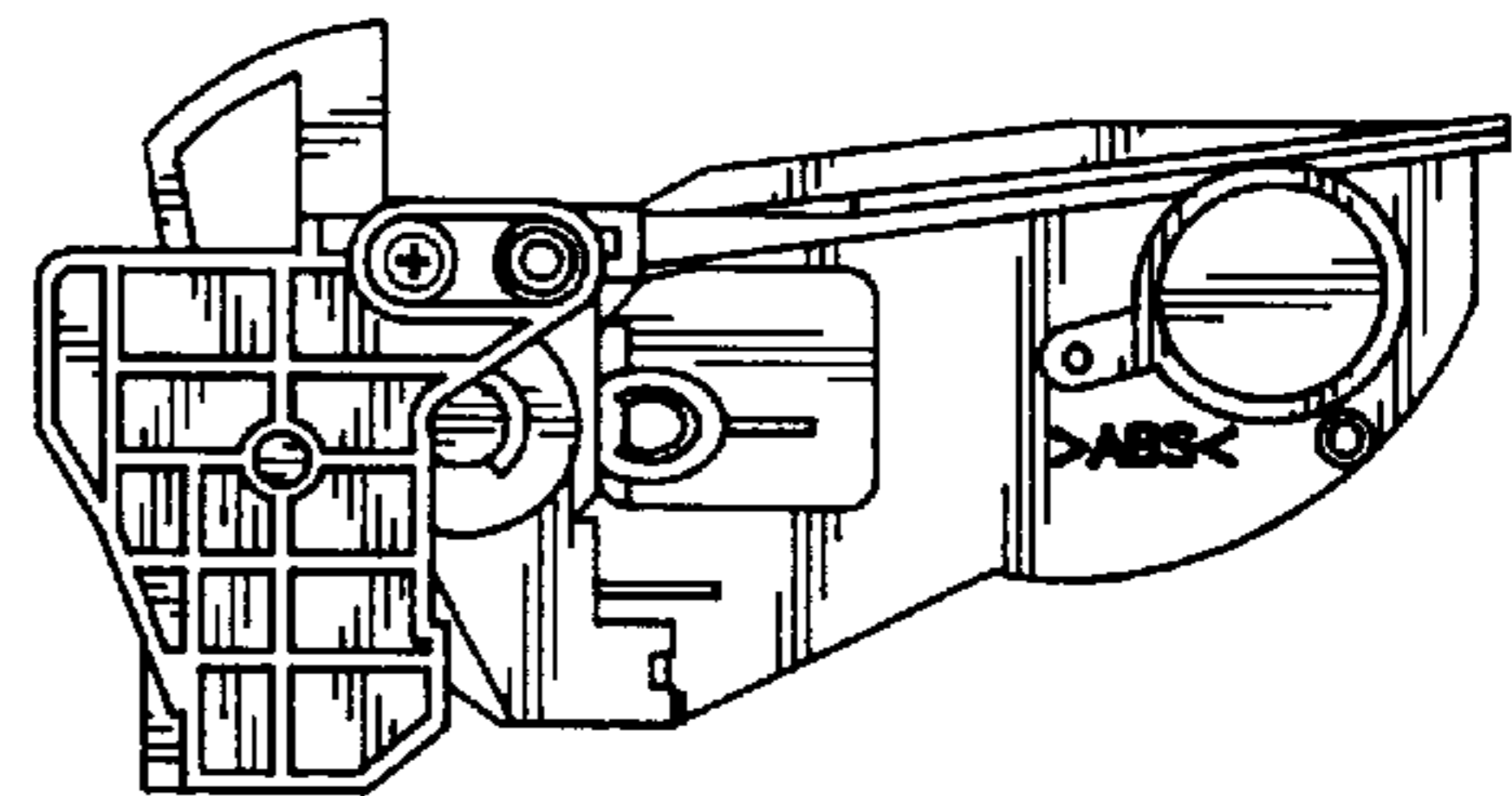


FIG. 6



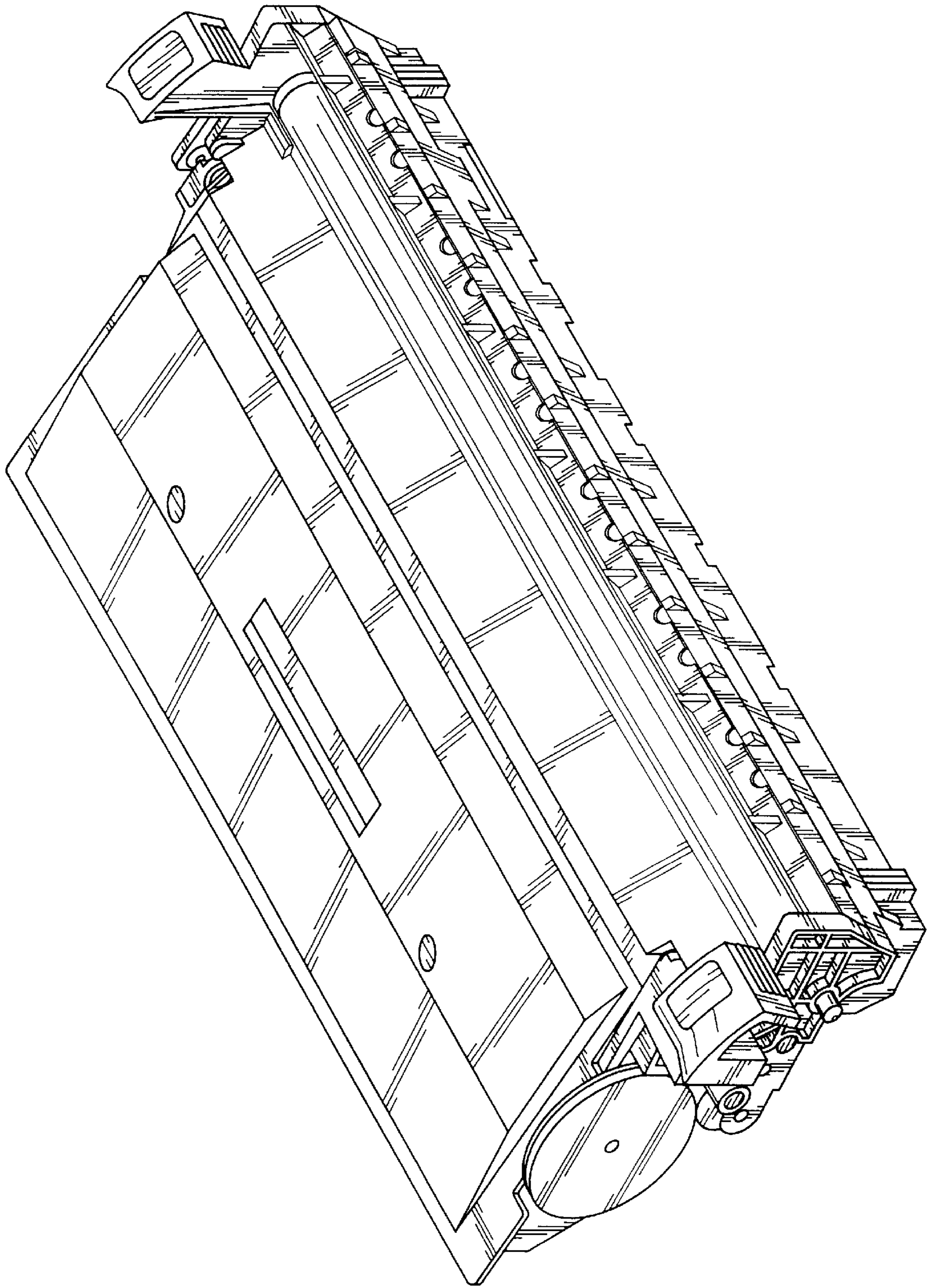


FIG. 7