



US00D401614S

United States Patent [19] Moriyama

[11] **Patent Number: Des. 401,614**

[45] **Date of Patent: **Nov. 24, 1998**

[54] **BLACKBOARD HAVING THE FUNCTION OF SCANNER AND PRINTER**

[75] Inventor: **Toshiya Moriyama**, Fukuoka, Japan

[73] Assignee: **Matsushita Electric Industrial Co., Ltd.**, Japan

[**] Term: **14 Years**

[21] Appl. No.: **79,674**

[22] Filed: **Nov. 20, 1997**

[30] **Foreign Application Priority Data**

Jun. 5, 1997 [JP] Japan 9-57140

[51] **LOC (6) Cl.** **16-03**

[52] **U.S. Cl.** **D18/36**

[58] **Field of Search** D18/54, 55, 36-39;
D14/118; 399/1, 31, 75, 151; 355/81, 84,
133

[56] **References Cited**

U.S. PATENT DOCUMENTS

D. 186,474 10/1959 Robbins D18/39

D. 249,797 10/1978 Van Acker et al. D18/36
D. 329,862 9/1992 Watanabe et al. D18/36 X
D. 330,042 10/1992 Yamaguchi et al. D18/36
D. 345,353 3/1994 Dietrich D14/118

Primary Examiner—Caron D. Veynar
Attorney, Agent, or Firm—Saidman DesignLaw Group

[57] **CLAIM**

The ornamental design for a blackboard having the function of scanner and printer, as shown and described.

DESCRIPTION

FIG. 1 is a perspective view of the top, front and right side of a blackboard having the function of scanner and printer showing my new design;
FIG. 2 is a front view thereof;
FIG. 3 is a top plan view thereof;
FIG. 4 is a left side view thereof;
FIG. 5 is a right side view thereof;
FIG. 6 is a rear view thereof;
FIG. 7 is a bottom view thereof; and,
FIG. 8 is a perspective view showing the condition of the drawing sheet is drawn out.

1 Claim, 4 Drawing Sheets

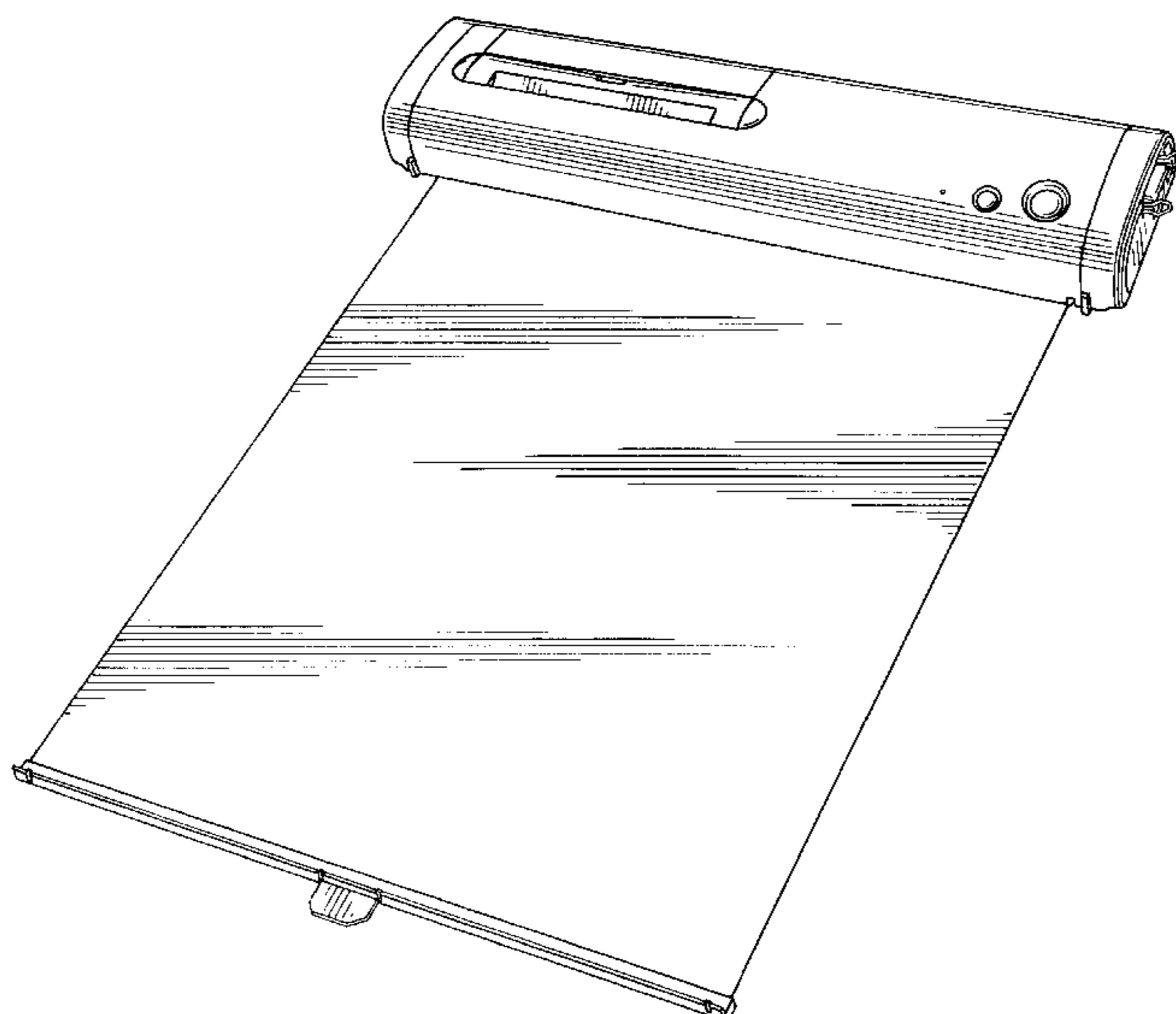
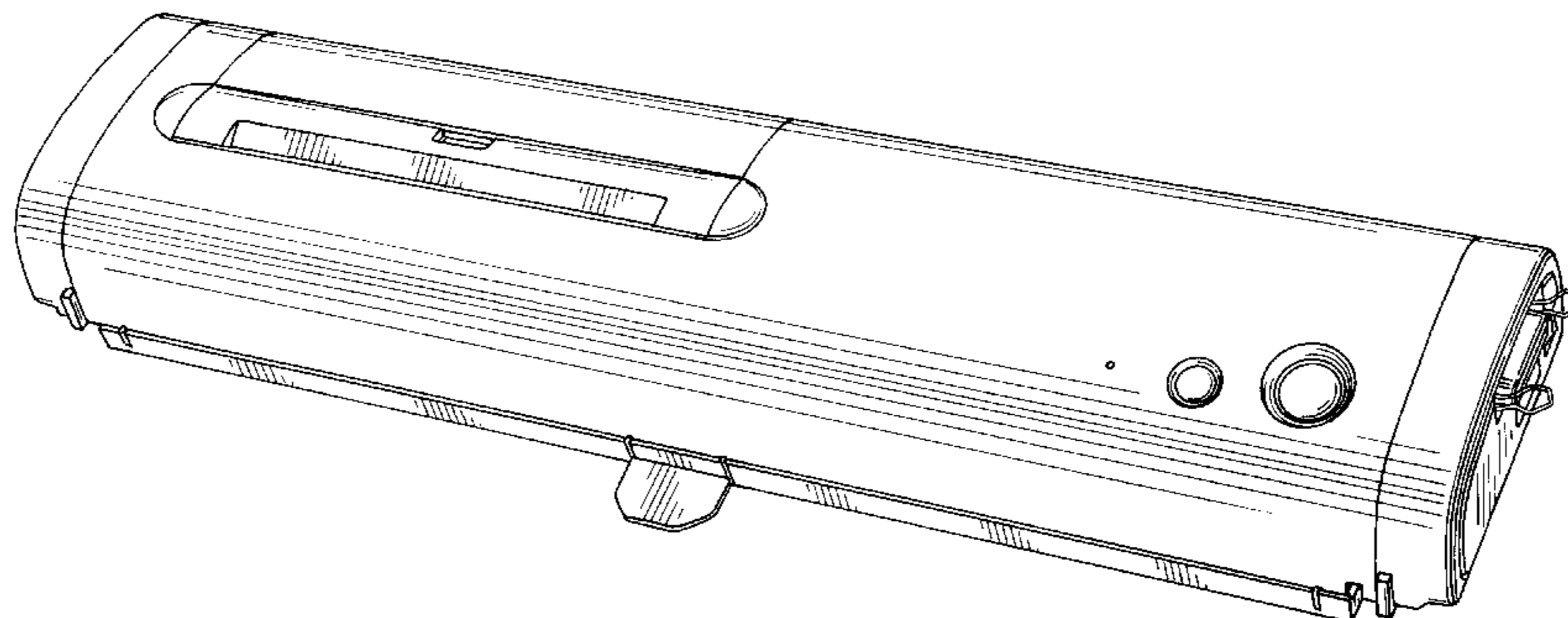


FIG. 1

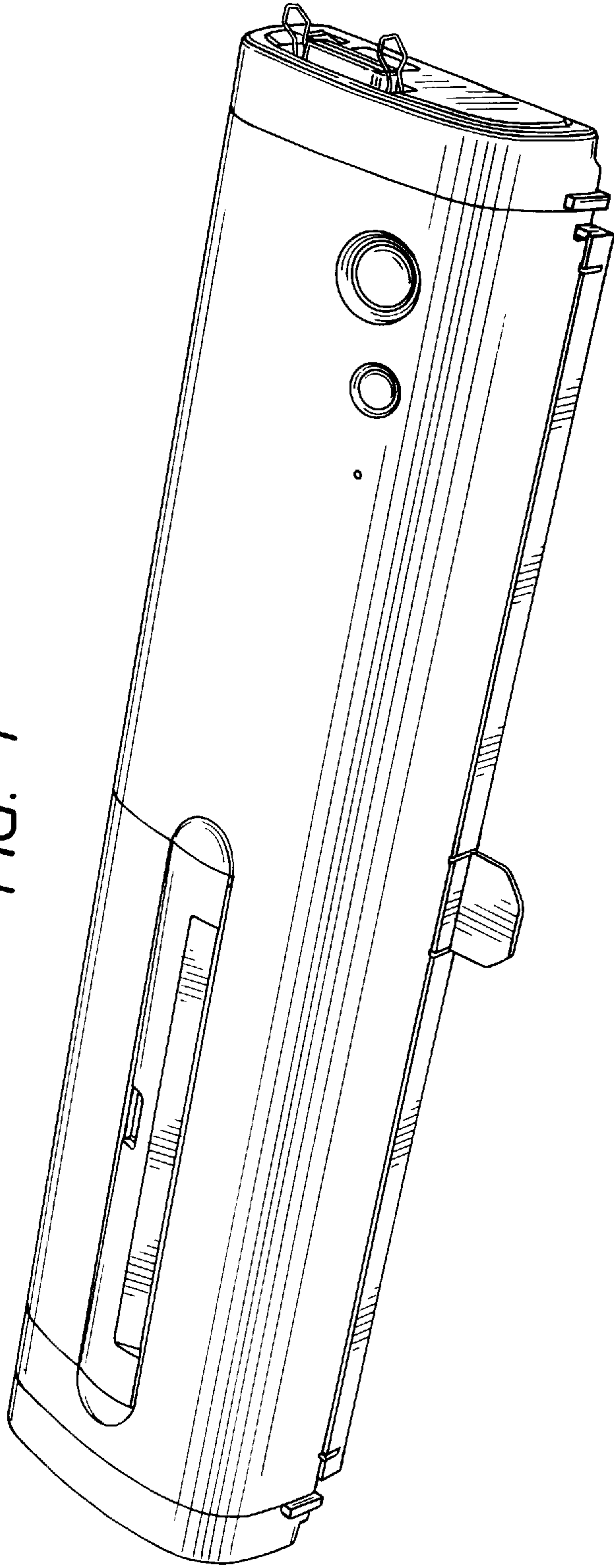


FIG. 2

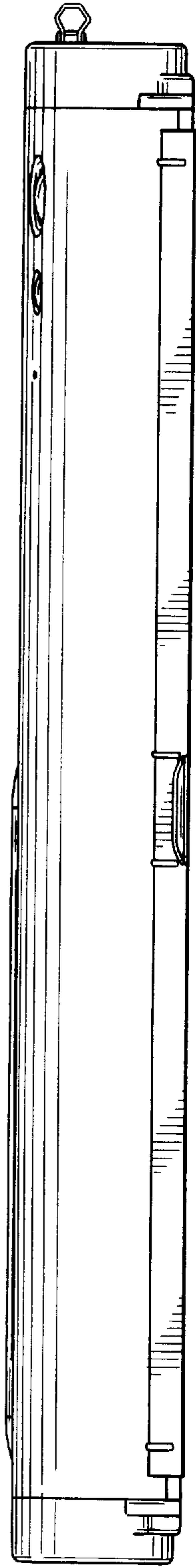


FIG. 3

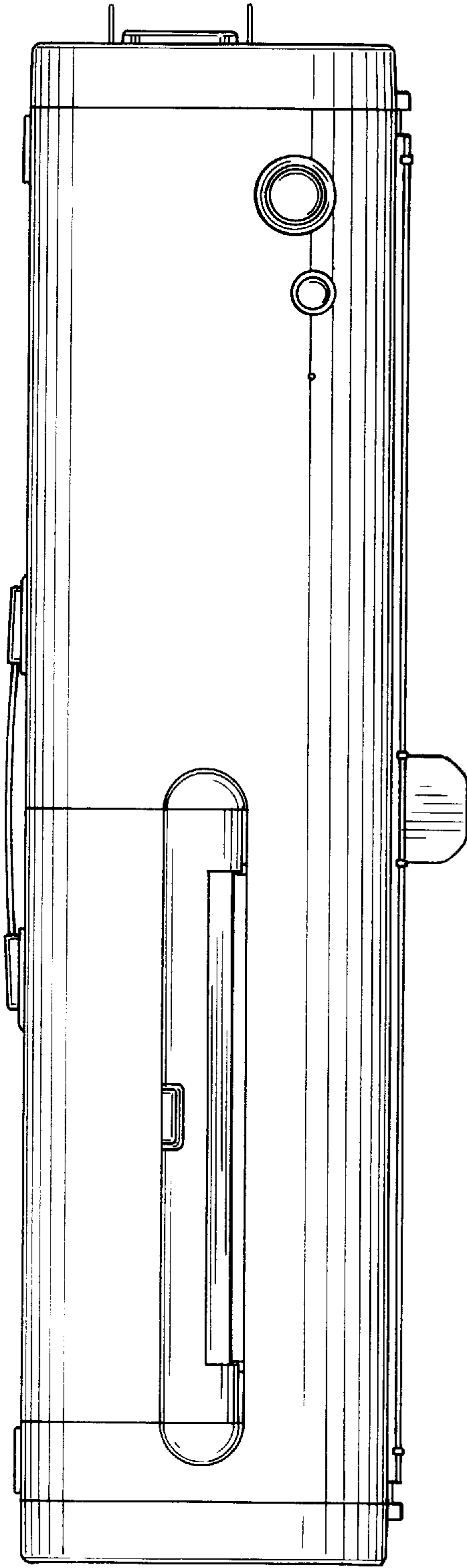


FIG. 4

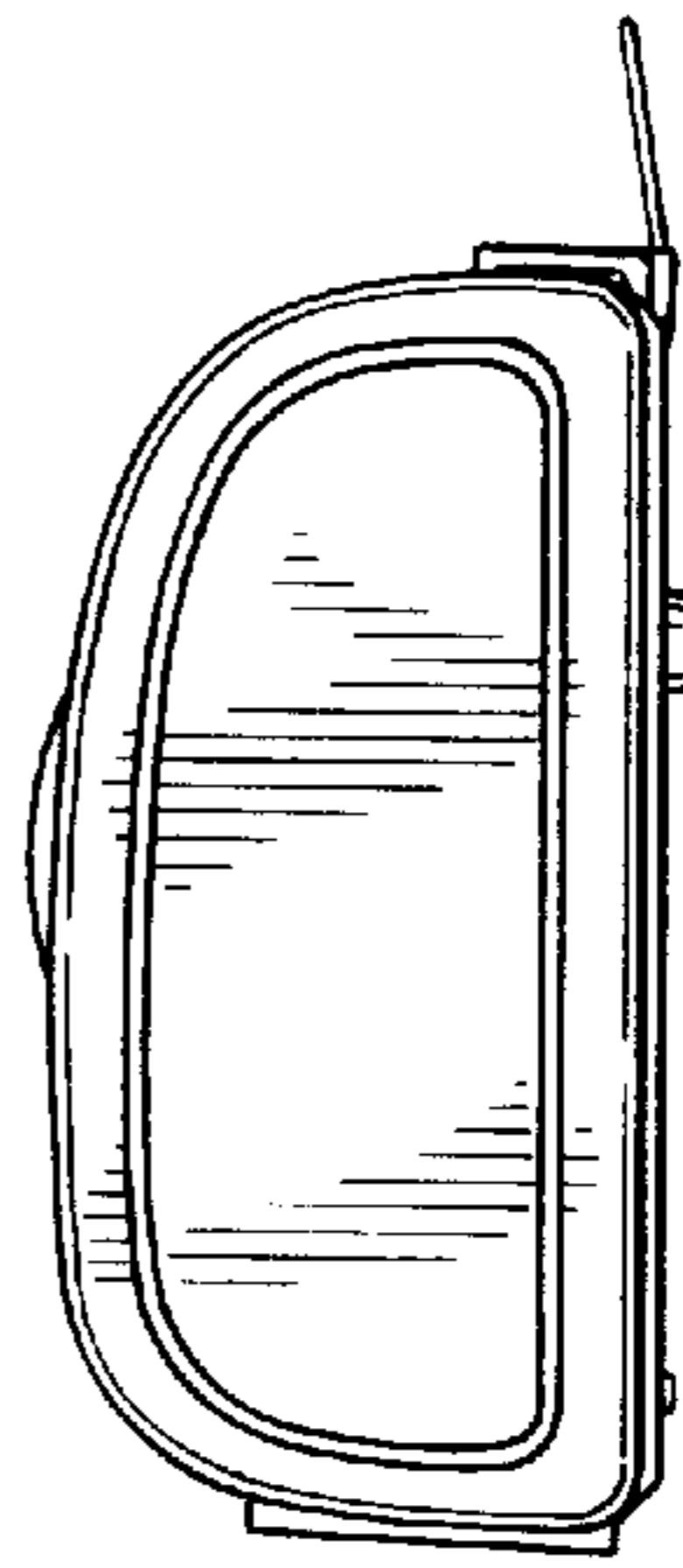


FIG. 5

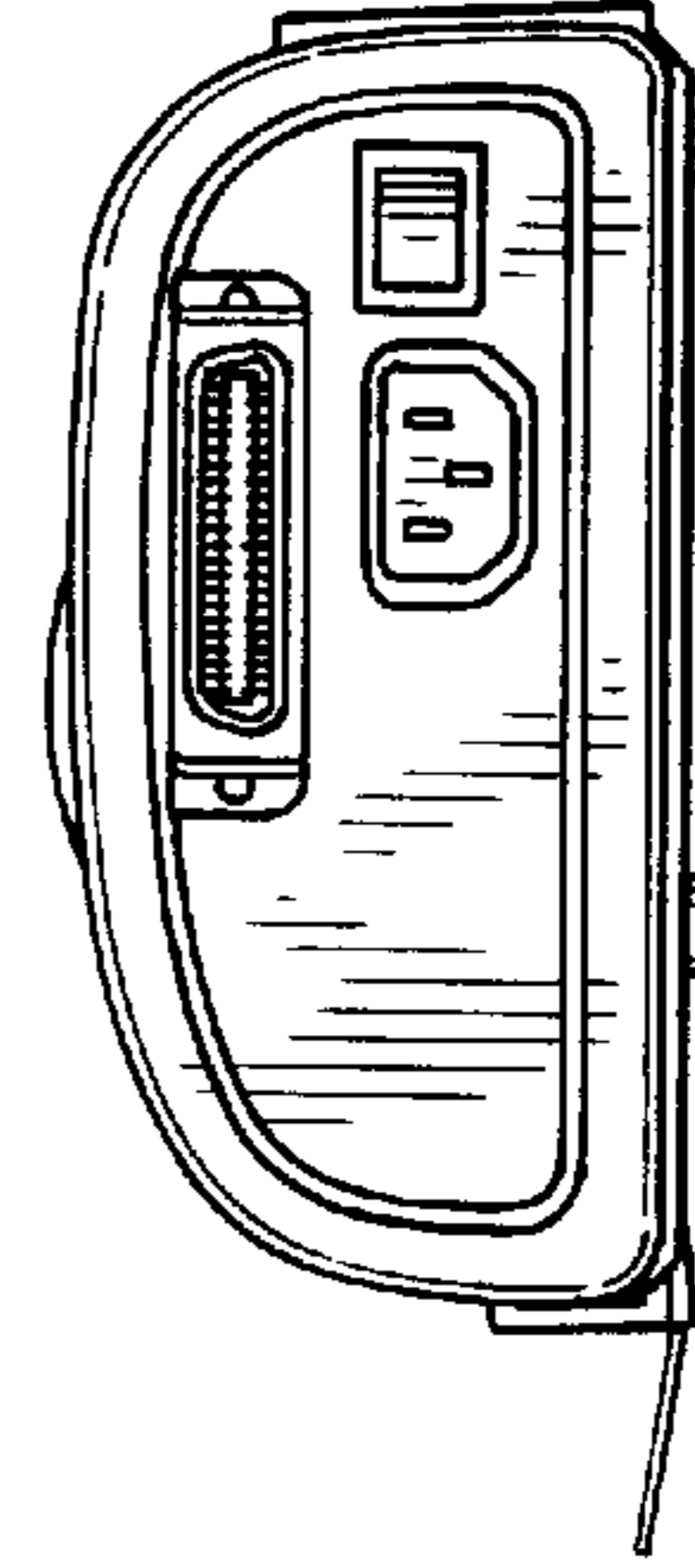


FIG. 6

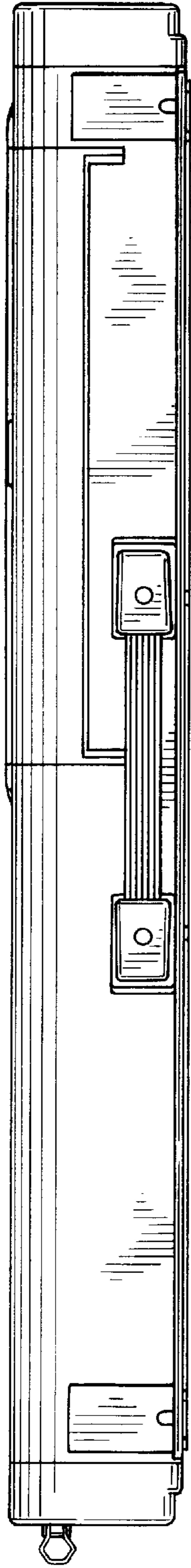


FIG. 7

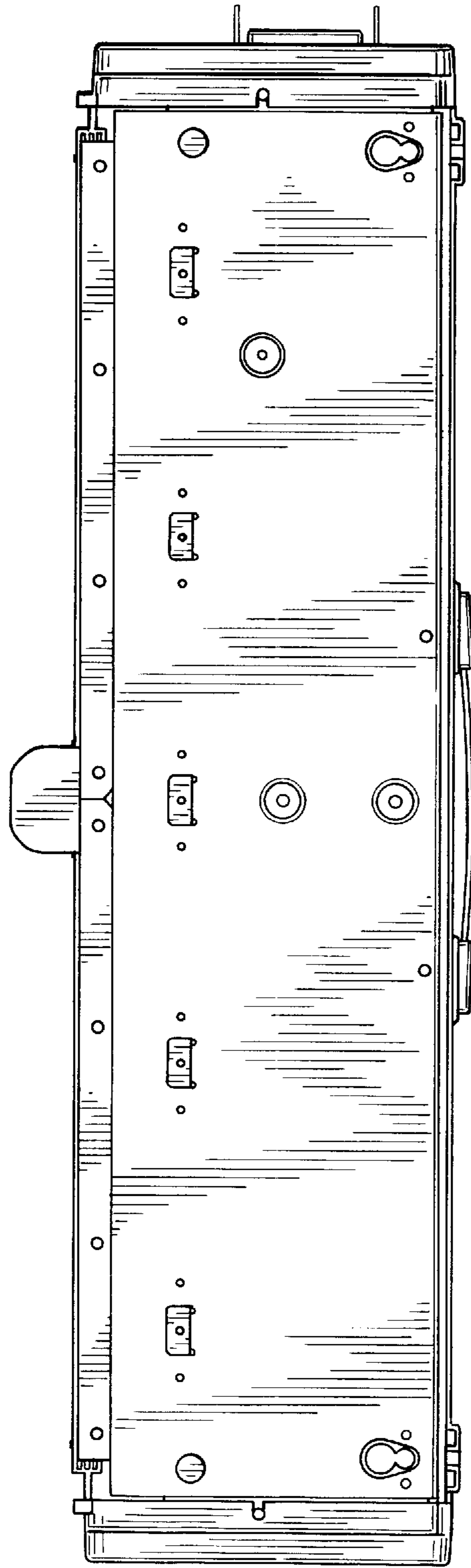


FIG. 8

