



US00D401603S

United States Patent [19] Hasegawa

[11] **Patent Number: Des. 401,603**

[45] **Date of Patent: **Nov. 24, 1998**

[54] **TV CAMERA**

[75] Inventor: **Fumio Hasegawa**, Nishio, Japan

[73] Assignee: **Elmo Co., Ltd.**, Nagoya, Japan

[**] Term: **14 Years**

[21] Appl. No.: **68,769**

[22] Filed: **Mar. 31, 1997**

D. 340,253 10/1993 Fedorczak D16/203
D. 357,929 5/1995 Pierce D16/202
D. 375,109 10/1996 Hartman D16/202

FOREIGN PATENT DOCUMENTS

08009207 1/1996 Japan H04N 5/225

Primary Examiner—Philip S. Hyder
Assistant Examiner—Adir Aronovich
Attorney, Agent, or Firm—Ostrolenk, Faber, Gerb & Soffen, LLP

Related U.S. Application Data

[62] Division of Ser. No. 56,405, Jun. 28, 1996.

Foreign Application Priority Data

Dec. 28, 1995 [JP] Japan 7-39441

[51] **LOC (6) Cl.** **16-01**

[52] **U.S. Cl.** **D16/202**

[58] **Field of Search** D16/134, 136,
D16/200, 219, 201–206, 208, 237; 348/143,
373–376; 396/535–543, 382

References Cited

U.S. PATENT DOCUMENTS

D. 178,909 10/1956 Wittel et al. D16/134
D. 182,079 2/1958 Macomber D16/134

[57] CLAIM

The ornamental design for a TV camera, as shown.

DESCRIPTION

FIG. 1 is a front view of the first TV camera embodying my new design;
FIG. 2 is a rear view thereof;
FIG. 3 is a left side view thereof;
FIG. 4 is a right side view thereof;
FIG. 5 is a bottom side view thereof;
FIG. 6 is a top plan view thereof;
FIG. 7 is a perspective view as seen from the top and left front of present FIG. 1; and,
FIG. 8 is a perspective view as seen from the top and right front of present FIG. 1.

1 Claim, 7 Drawing Sheets

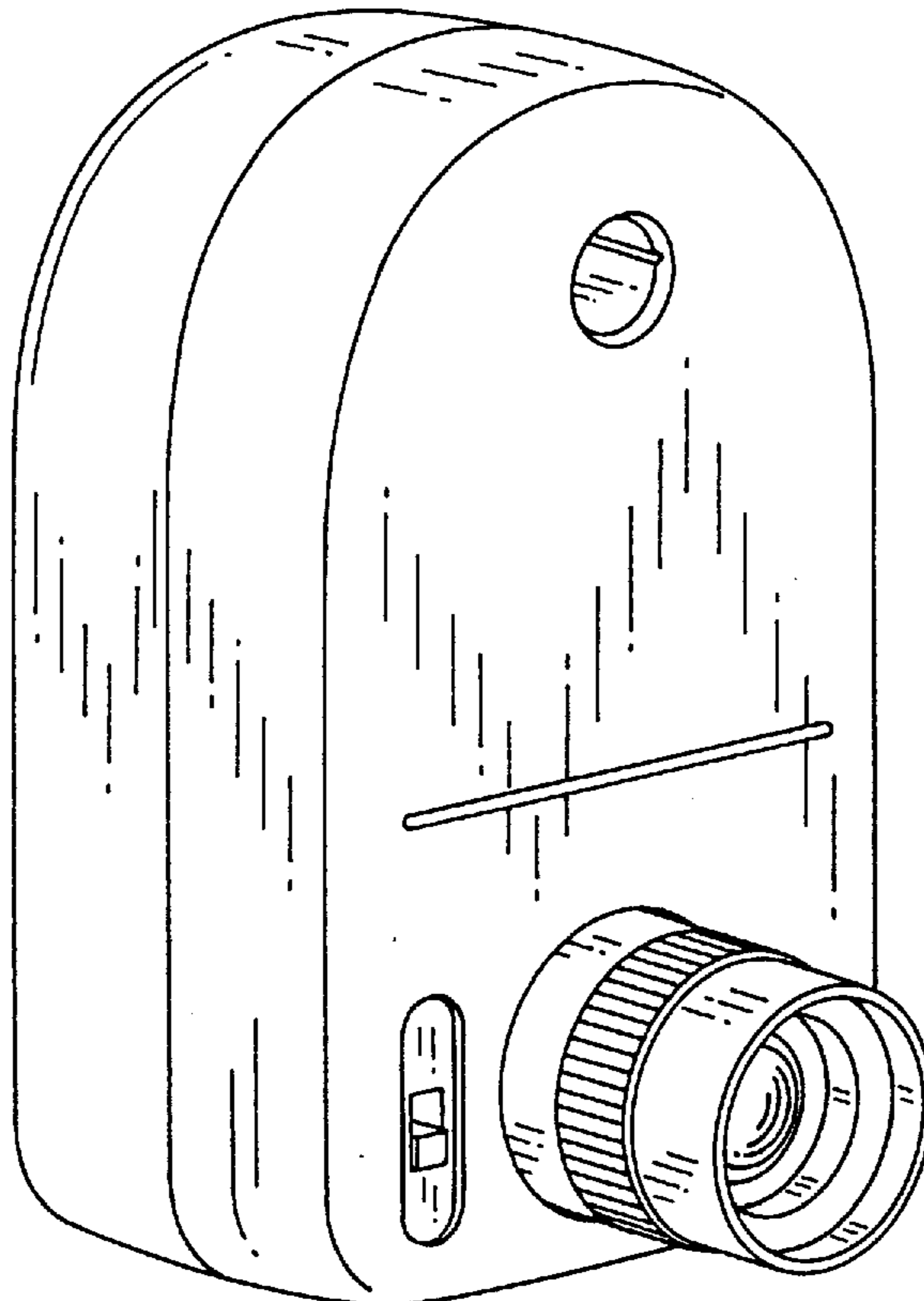


Fig. 1

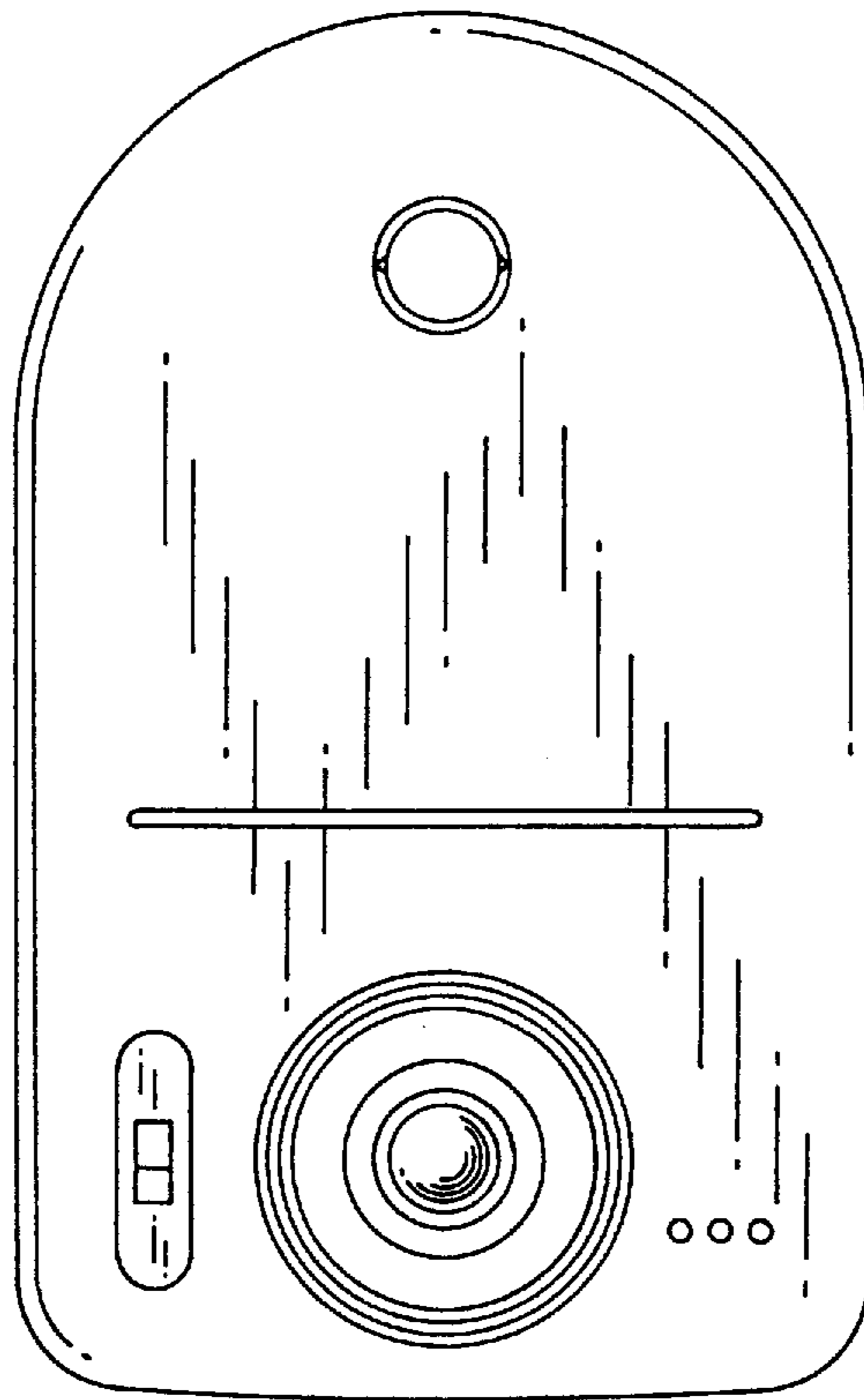


Fig. 2

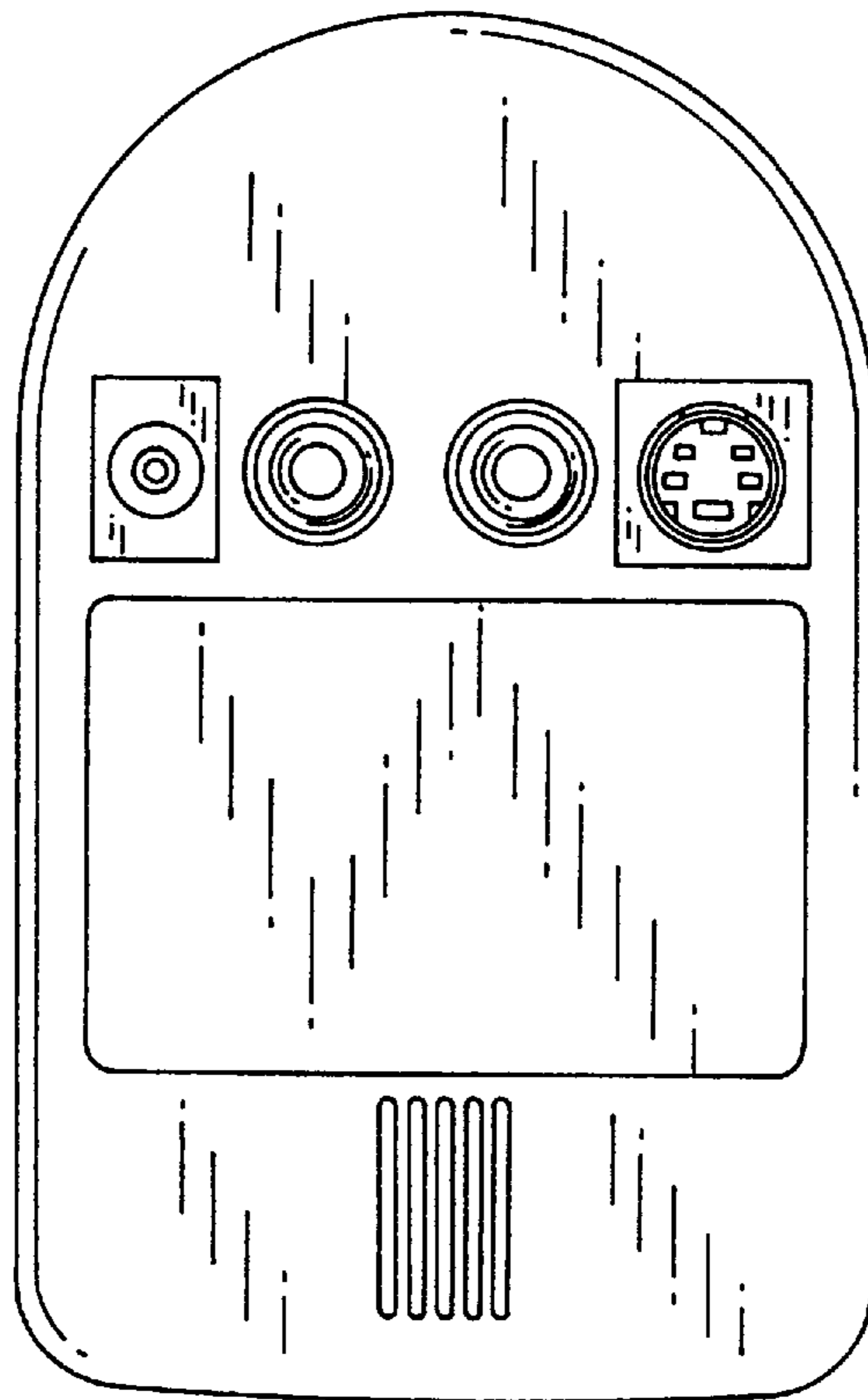


Fig. 3

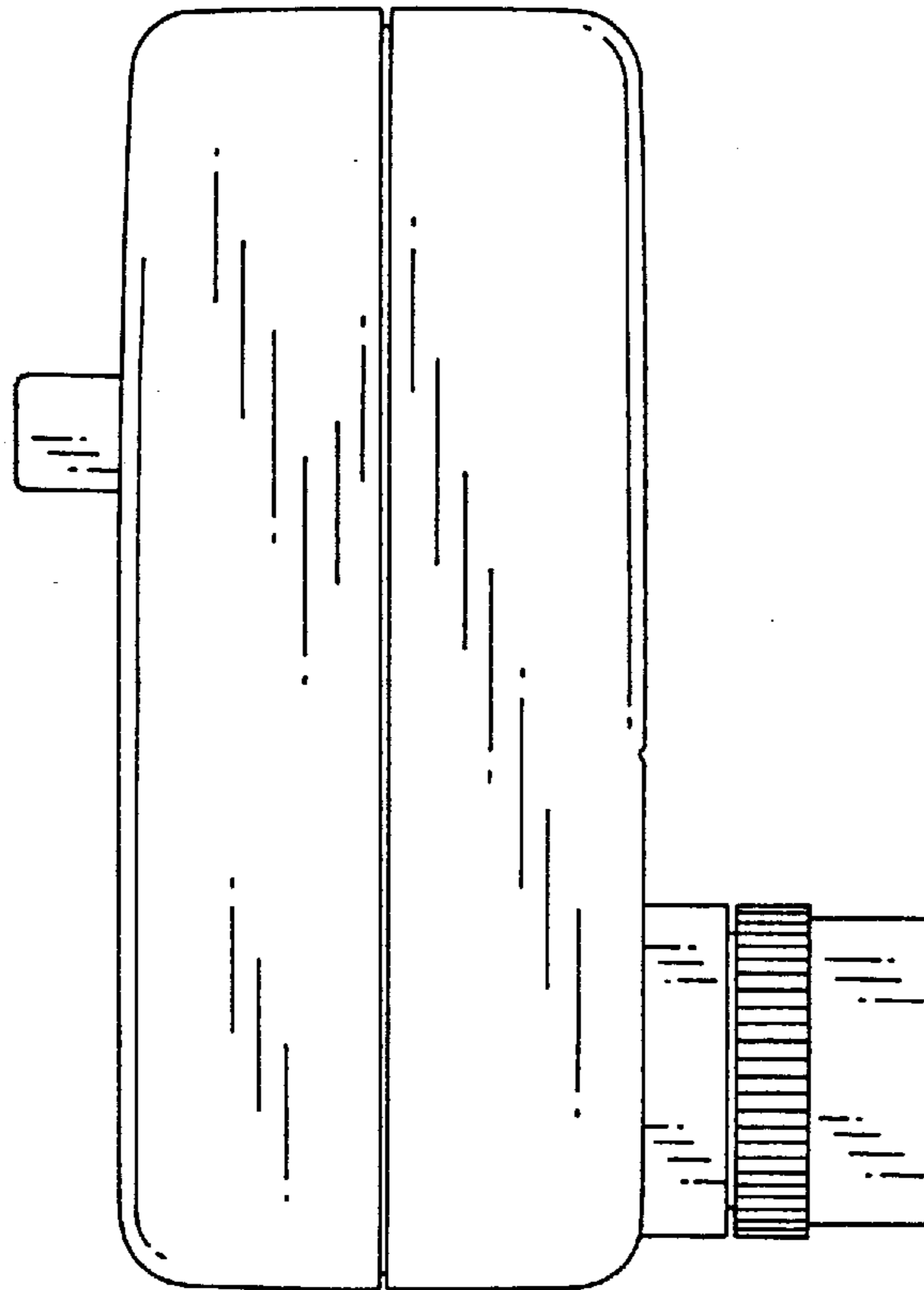


Fig. 4

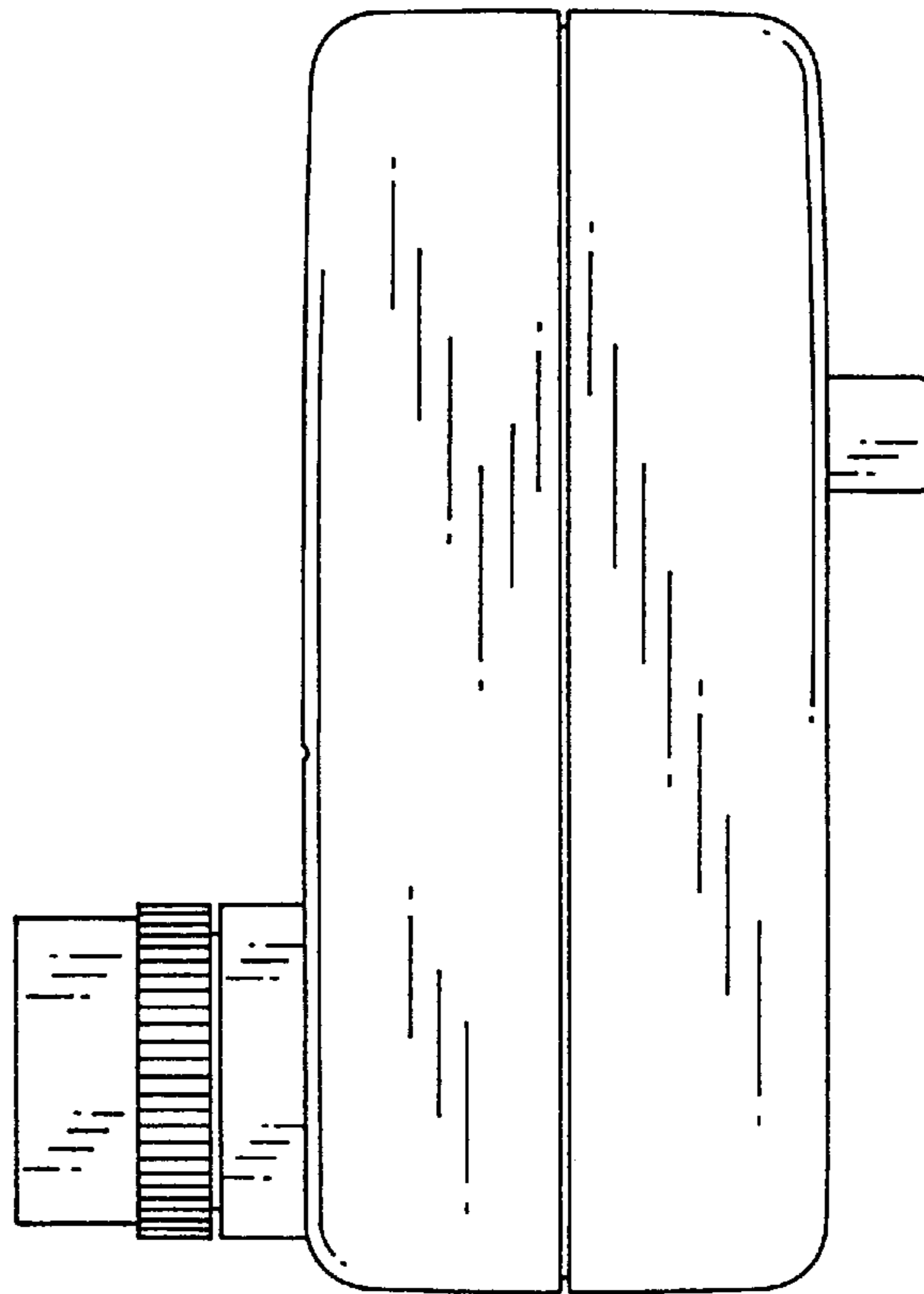


Fig. 5

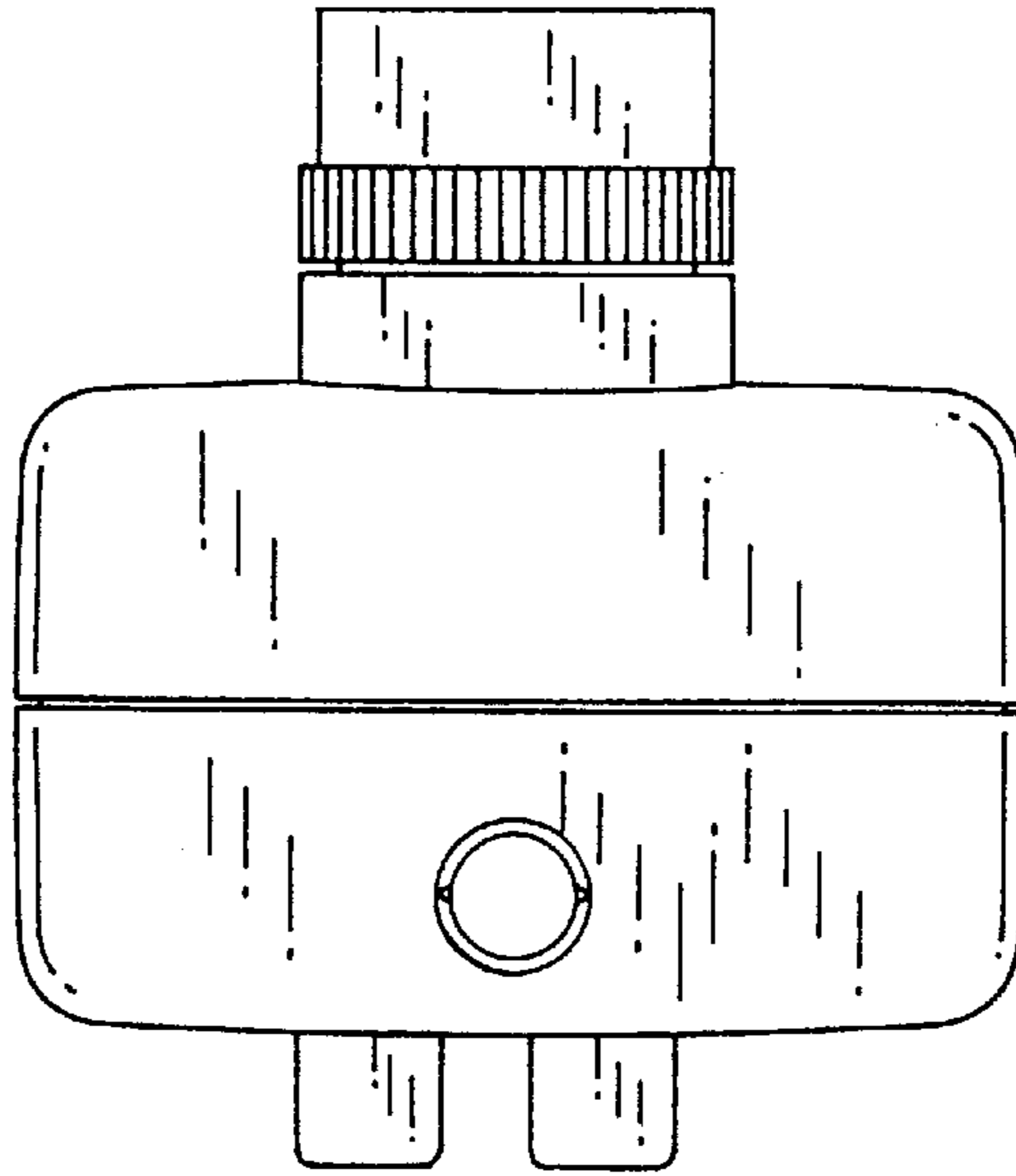


Fig. 6

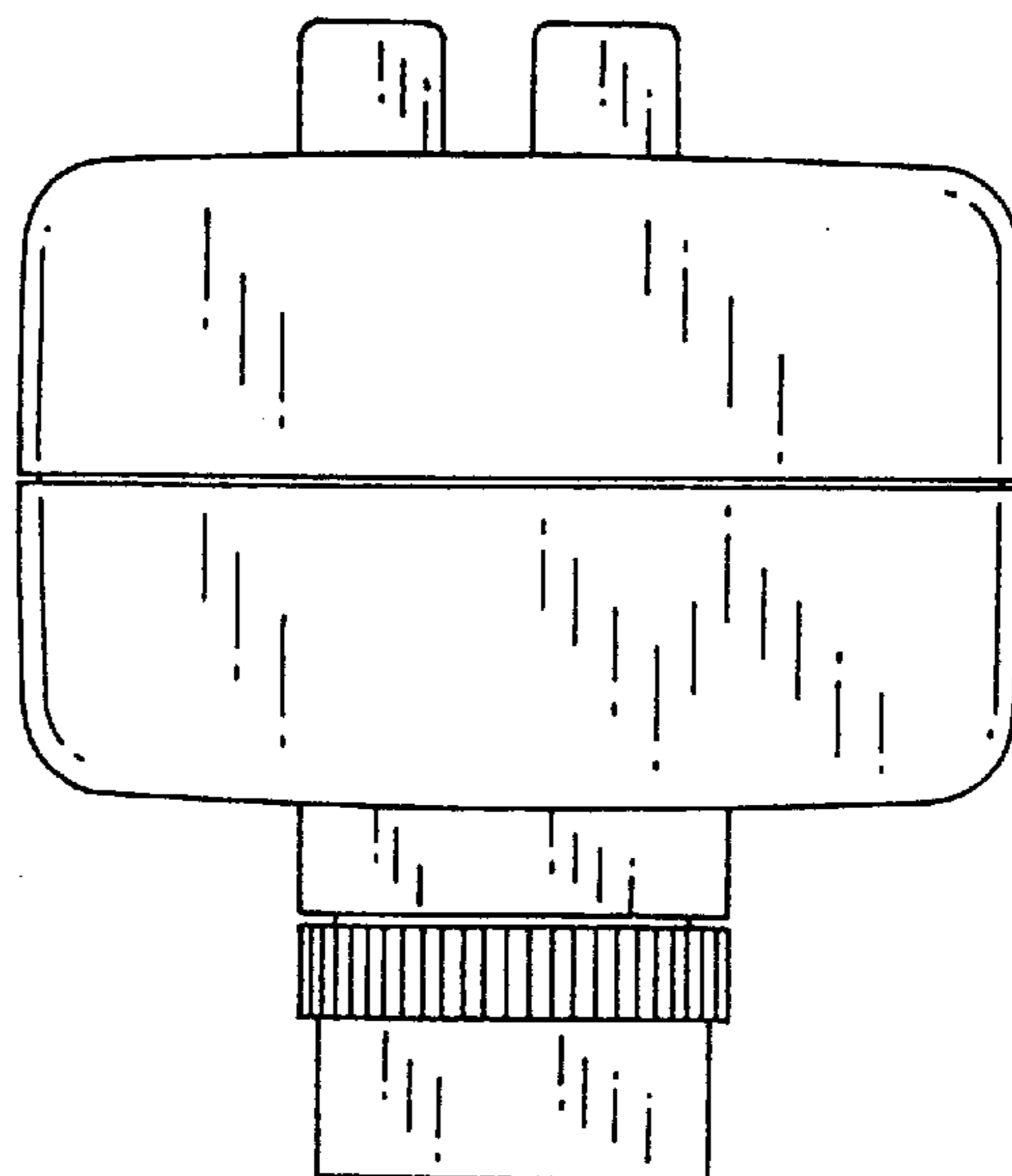


Fig. 7

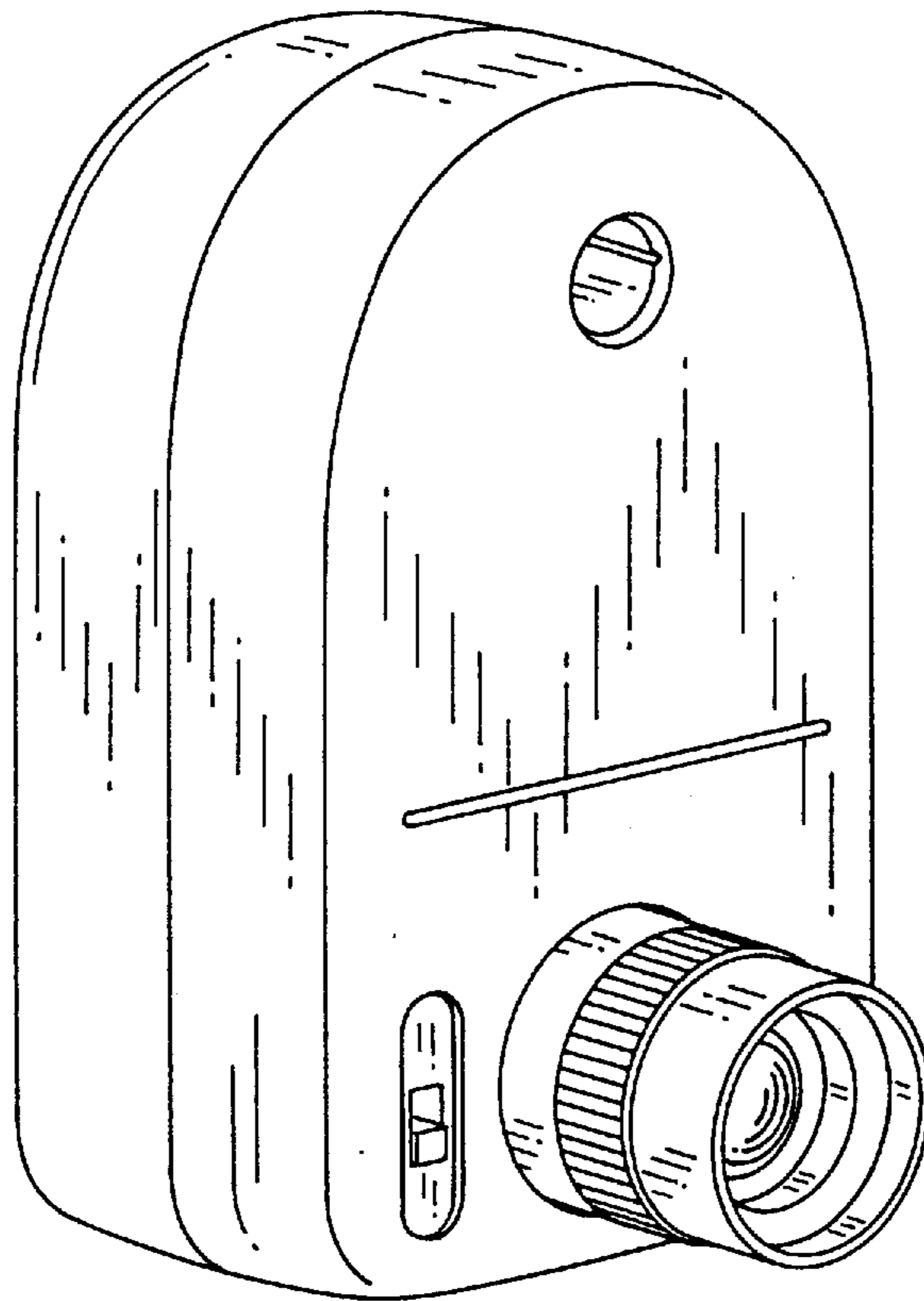


Fig. 8

