



US00D401601S

**United States Patent** [19]  
**Kalpagian**

[11] **Patent Number: Des. 401,601**

[45] **Date of Patent: \*\*Nov. 24, 1998**

[54] **FOLDABLE OIL CHANGE PLATFORM FOR A LAWNMOWER**

[76] Inventor: **Harry S. Kalpagian**, 610 Meade Dr., Greensboro, N.C. 27410

[\*\*] Term: **14 Years**

[21] Appl. No.: **83,202**

[22] Filed: **Feb. 2, 1998**

[51] **LOC (6) Cl.** ..... **15-09**

[52] **U.S. Cl.** ..... **D15/150; D15/151; D34/32**

[58] **Field of Search** ..... **D15/150-152; D34/28, 32; 141/86, 88, 98, 375, 391; 137/234.5; 184/106; 206/511; 269/15, 79**

[56] **References Cited**

**U.S. PATENT DOCUMENTS**

D. 228,301	9/1973	Lundman	.....	D34/32
4,724,875	2/1988	Baldwin et al.	.....	141/98
4,977,978	12/1990	Batrice	.....	184/1.5
5,096,171	3/1992	Kendrick et al.	.....	269/15

*Primary Examiner*—Antoine Duval Davis

[57] **CLAIM**

The ornamental design for a foldable oil change platform for a lawnmower, as shown and described.

**DESCRIPTION**

FIG. 1 is a top plan view of the foldable oil change platform

for a lawnmower of my invention in its erect position;

FIG. 2 is a front elevational view of the foldable oil change platform for a lawnmower of FIG. 1, the back side being a mirror image thereof;

FIG. 3 is a left side elevational view of the foldable oil change platform for a lawnmower of FIG. 1;

FIG. 4 is a right side elevational view of the foldable oil change platform for a lawnmower of FIG. 1;

FIG. 5 is a bottom plan view of the foldable oil change platform for a lawnmower of FIG. 1;

FIG. 6 is a top plan view of the foldable oil change platform for a lawnmower of my invention in its folded position;

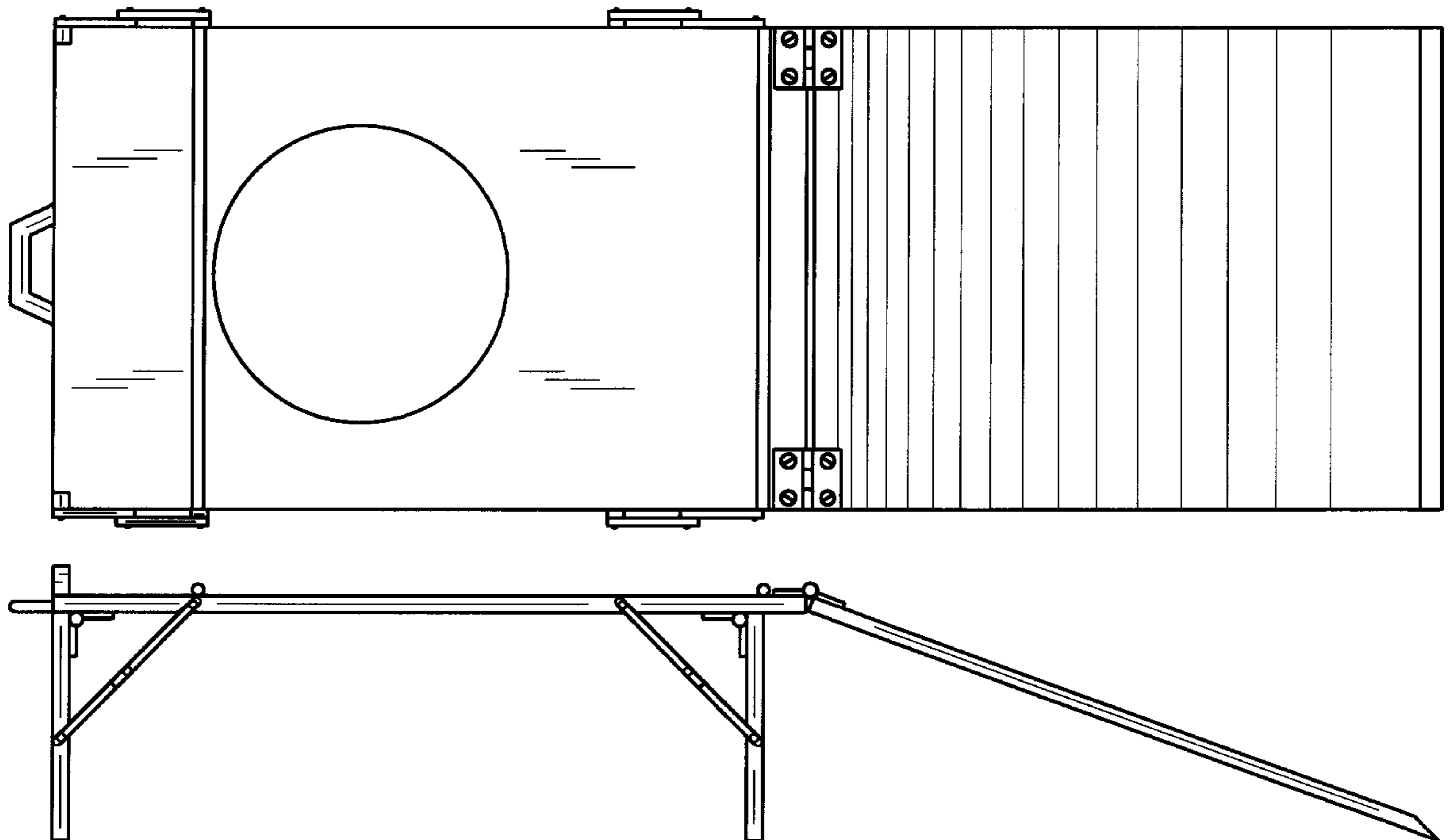
FIG. 7 is a front elevational view of the foldable oil change platform for a lawnmower of FIG. 6, the back side being a mirror image thereof;

FIG. 8 is a left side elevational view of the foldable oil change platform for a lawnmower of FIG. 6;

FIG. 9 is a right side elevational view of the foldable oil change platform for a lawnmower of FIG. 6; and,

FIG. 10 is a bottom plan view of the foldable oil change platform for a lawnmower of FIG. 6.

**1 Claim, 4 Drawing Sheets**



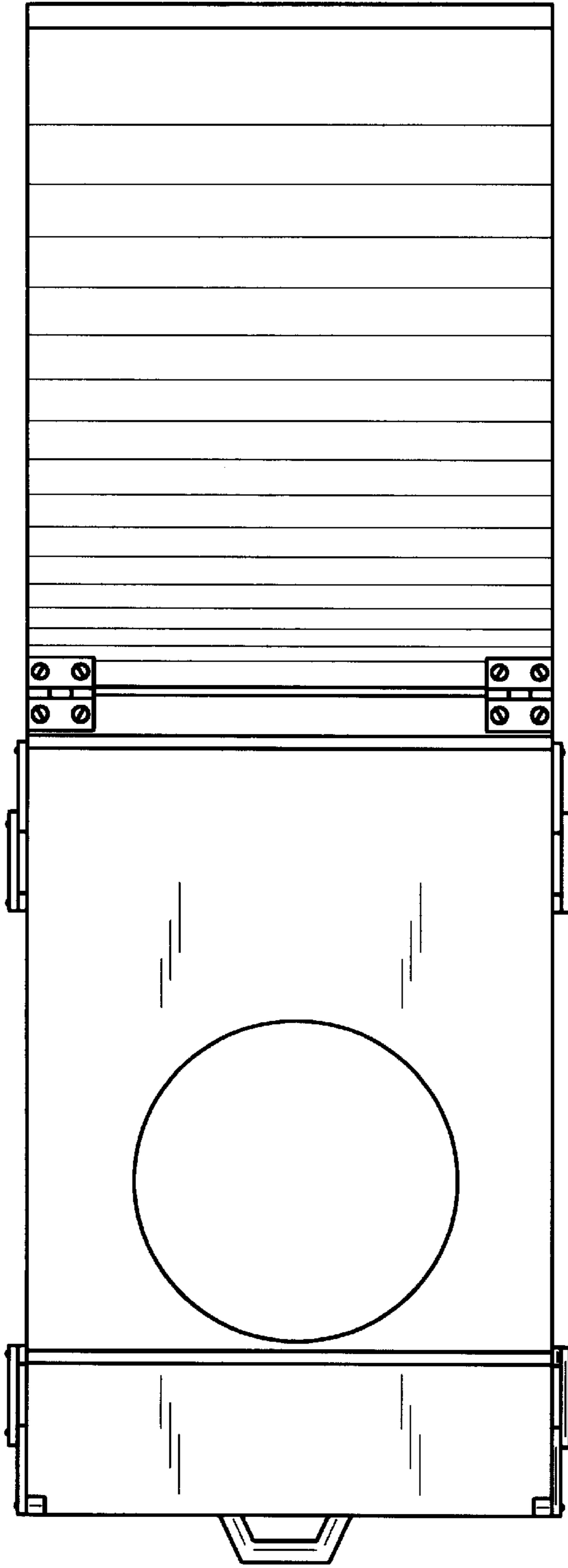


FIG. 1

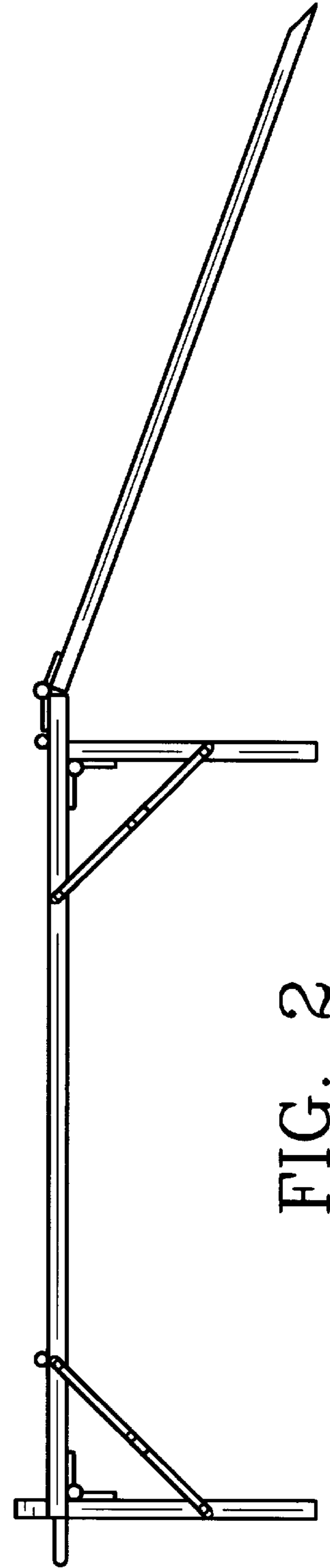


FIG. 2

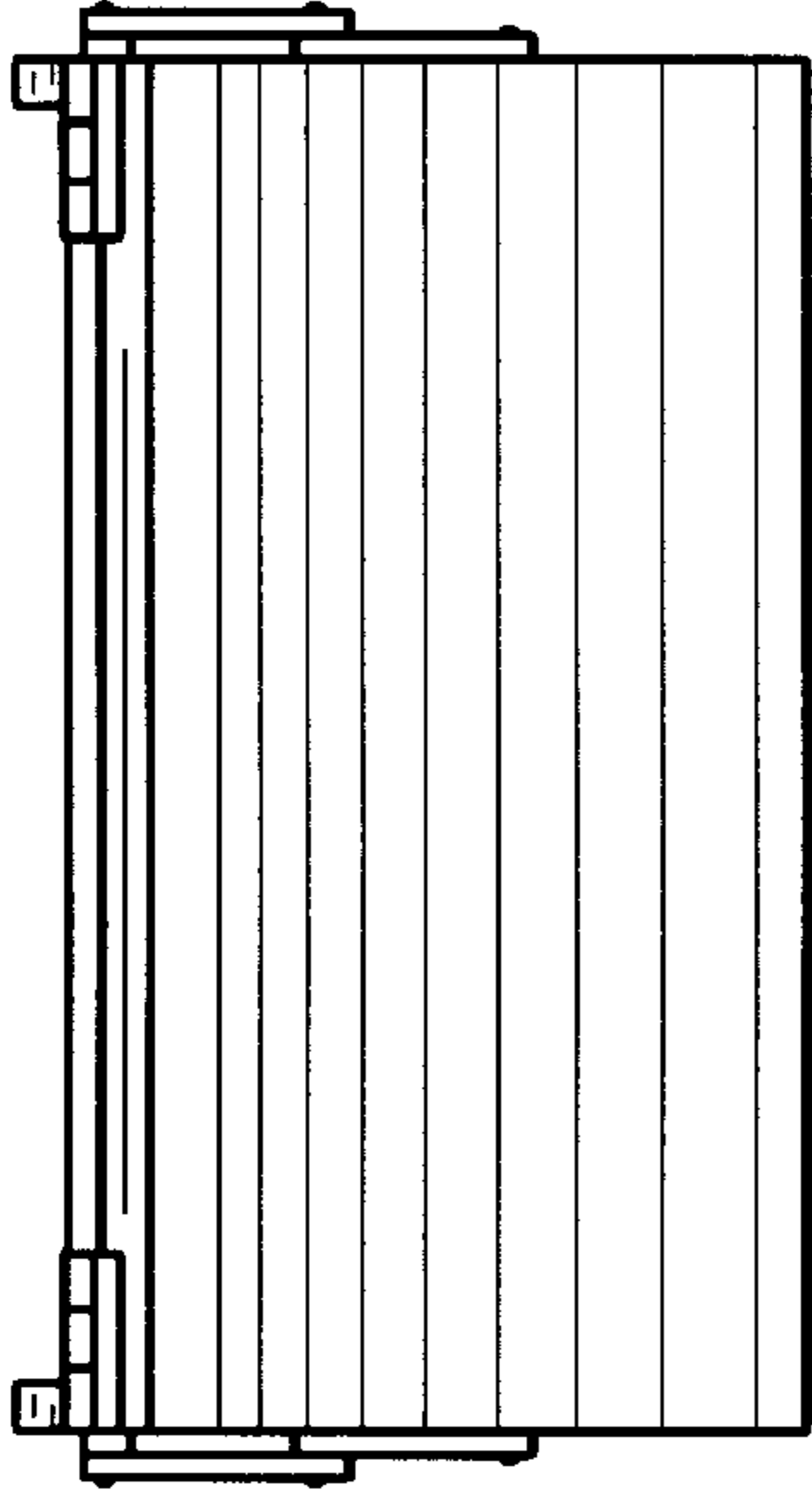


FIG. 3

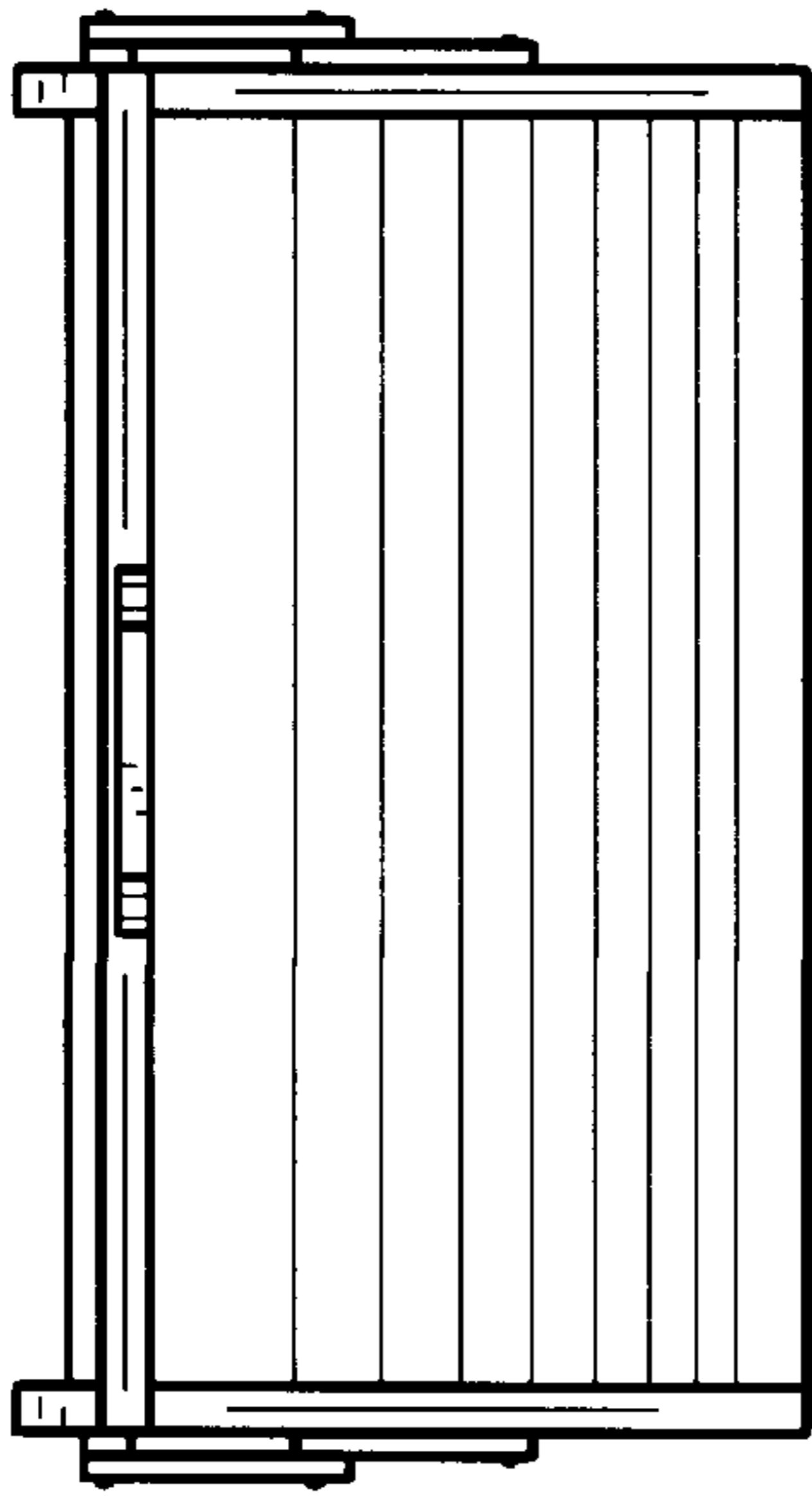


FIG. 4

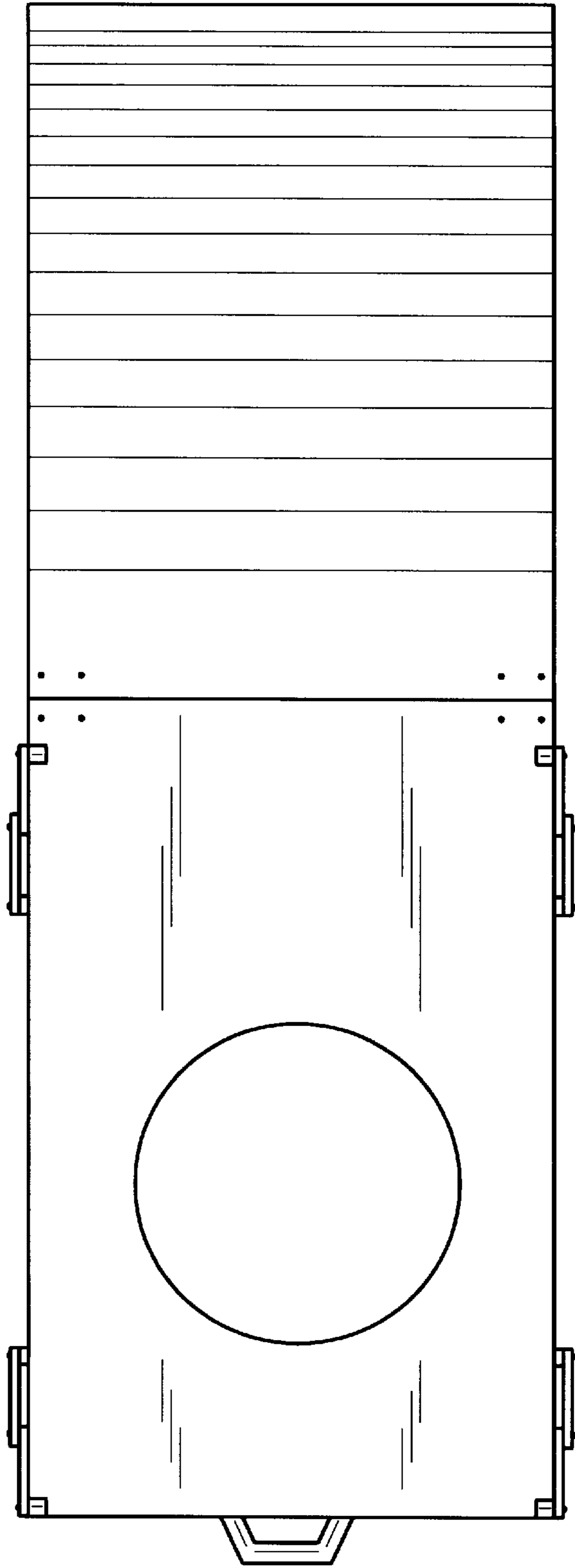


FIG. 5

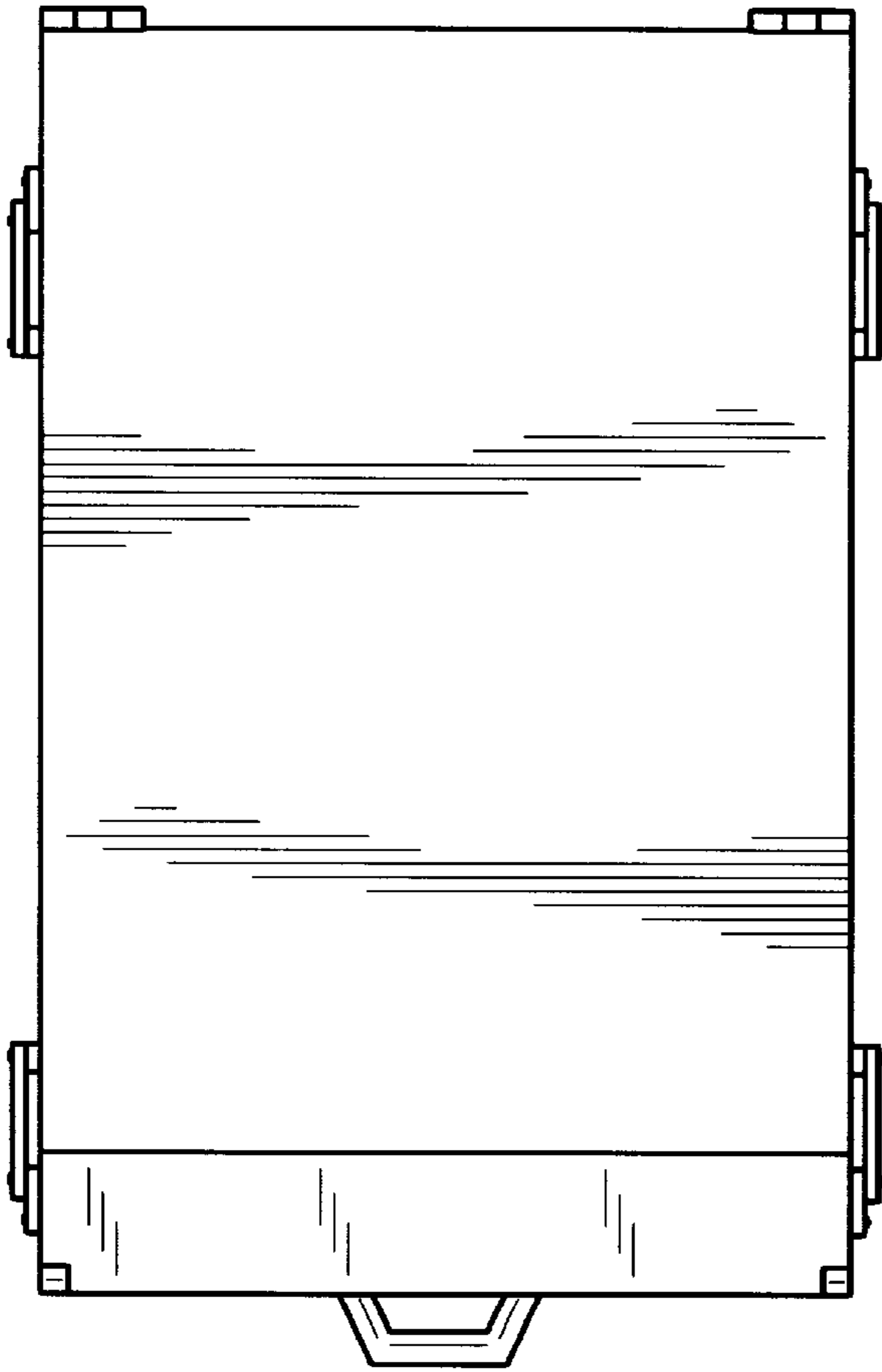


FIG. 6



FIG. 7

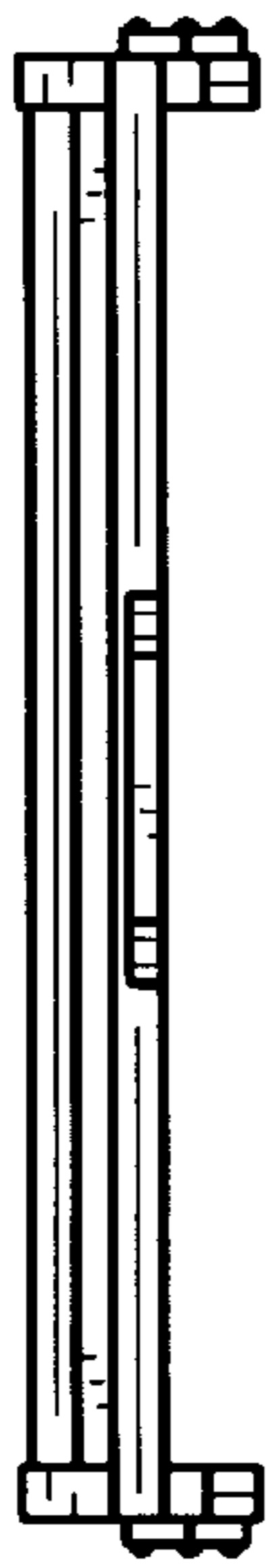


FIG. 8

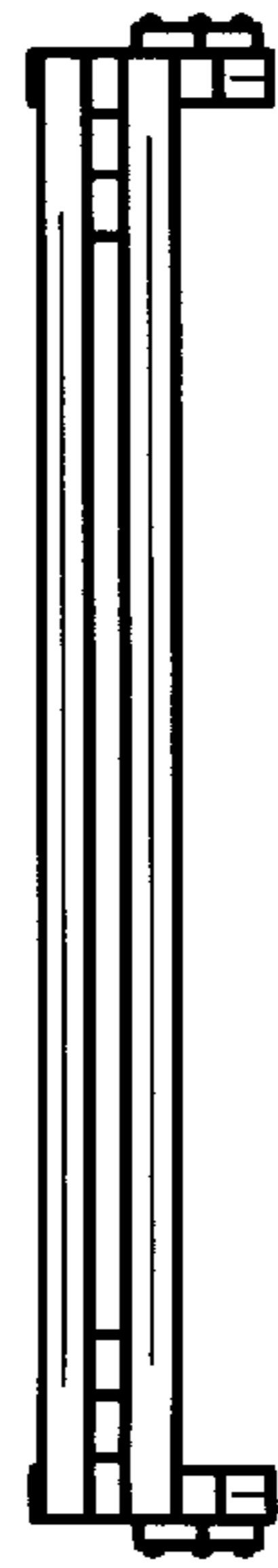


FIG. 9

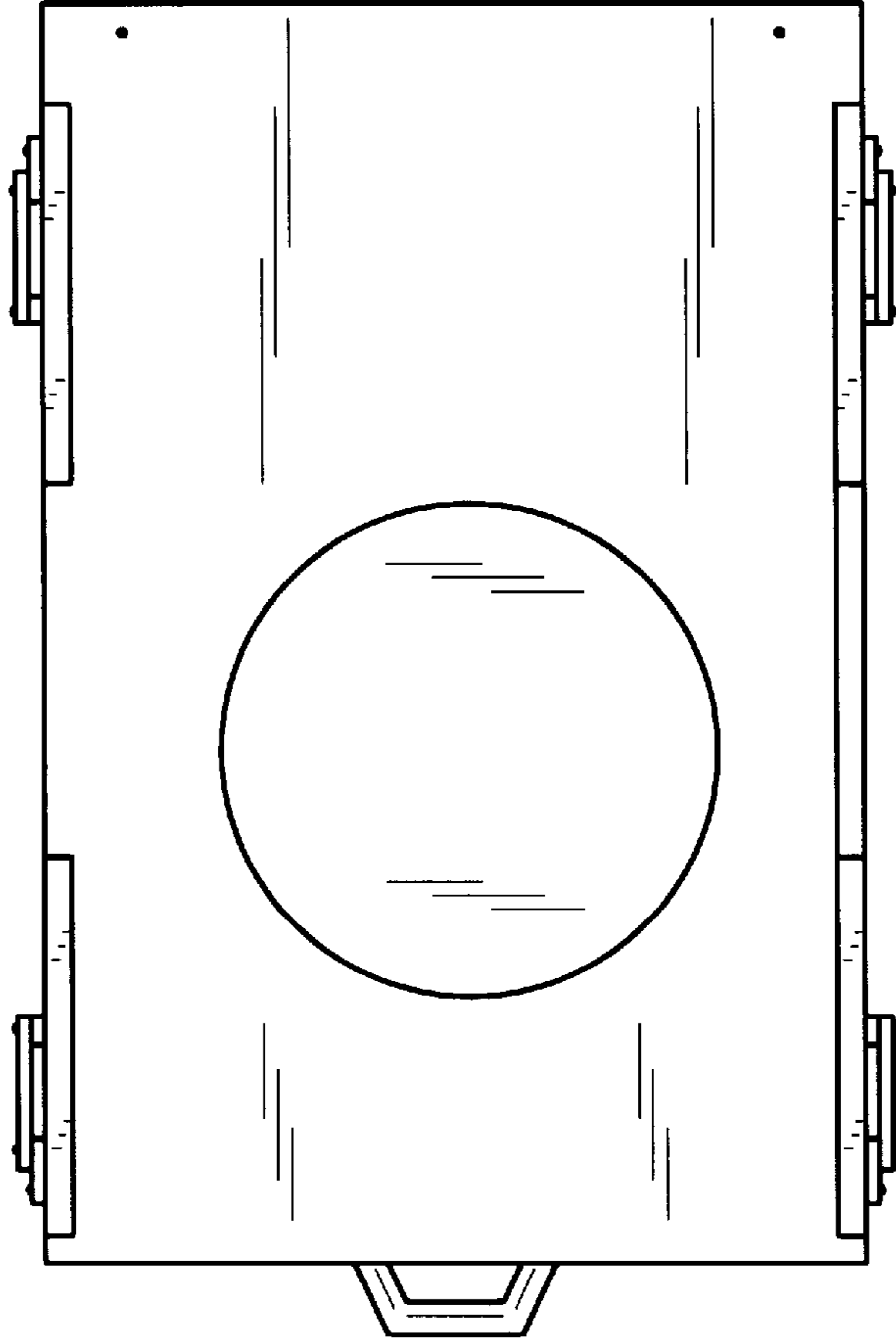


FIG. 10