



US00D401599S

United States Patent [19]

Stumpf et al.

[11] Patent Number: **Des. 401,599**

[45] Date of Patent: ****Nov. 24, 1998**

- [54] **SUPPORT ARM FOR A SLIDING COMPOUND MITER SAW**
- [75] Inventors: **William R. Stumpf**, Kingsville, Md.;
Scott Price, Singapore, Singapore
- [73] Assignee: **Black & Decker Inc.**, Newark, Del.
- [**] Term: **14 Years**
- [21] Appl. No.: **72,687**
- [22] Filed: **Jun. 19, 1997**
- [51] **LOC (6) Cl.** **15-09**
- [52] **U.S. Cl.** **D15/133**
- [58] **Field of Search** D15/133; 83/468.3,
83/471.1, 471.2, 471.3, 477, 581, 859,
776-783

[56] **References Cited**
U.S. PATENT DOCUMENTS

D. 334,576	4/1993	Kawakami et al.	D15/133
D. 351,393	10/1994	Sasaki et al.	D15/133
D. 389,494	1/1998	Chen	D15/133
4,869,142	9/1989	Sato et al. .	
5,241,888	9/1993	Chen	83/471.3
5,437,214	8/1995	Sasake et al. .	

FOREIGN PATENT DOCUMENTS

- 0570903 A1 11/1993 European Pat. Off. .
- 0570904 A1 11/1993 European Pat. Off. .
- 0585841 A1 3/1994 European Pat. Off. .
- 3744716 C2 12/1990 Germany .

Primary Examiner—Antoine Duval Davis
Attorney, Agent, or Firm—Harness, Dickey & Pierce, P.L.C.

[57] **CLAIM**

The ornamental design for a support arm for sliding compound miter saw, as shown and described.

DESCRIPTION

FIG. 1 is a perspective view of the design for a support arm for a sliding compound miter saw according to the present invention;
 FIG. 2 is a front elevational view thereof;
 FIG. 3 is a left side elevational view thereof;
 FIG. 4 is a right side elevational view thereof;
 FIG. 5 is a rear elevational view thereof;
 FIG. 6 is a top plan view thereof; and,
 FIG. 7 is a bottom plan view thereof.
 The broken line showing of is for illustrative purposes only and forms no part of the claimed design.

1 Claim, 2 Drawing Sheets

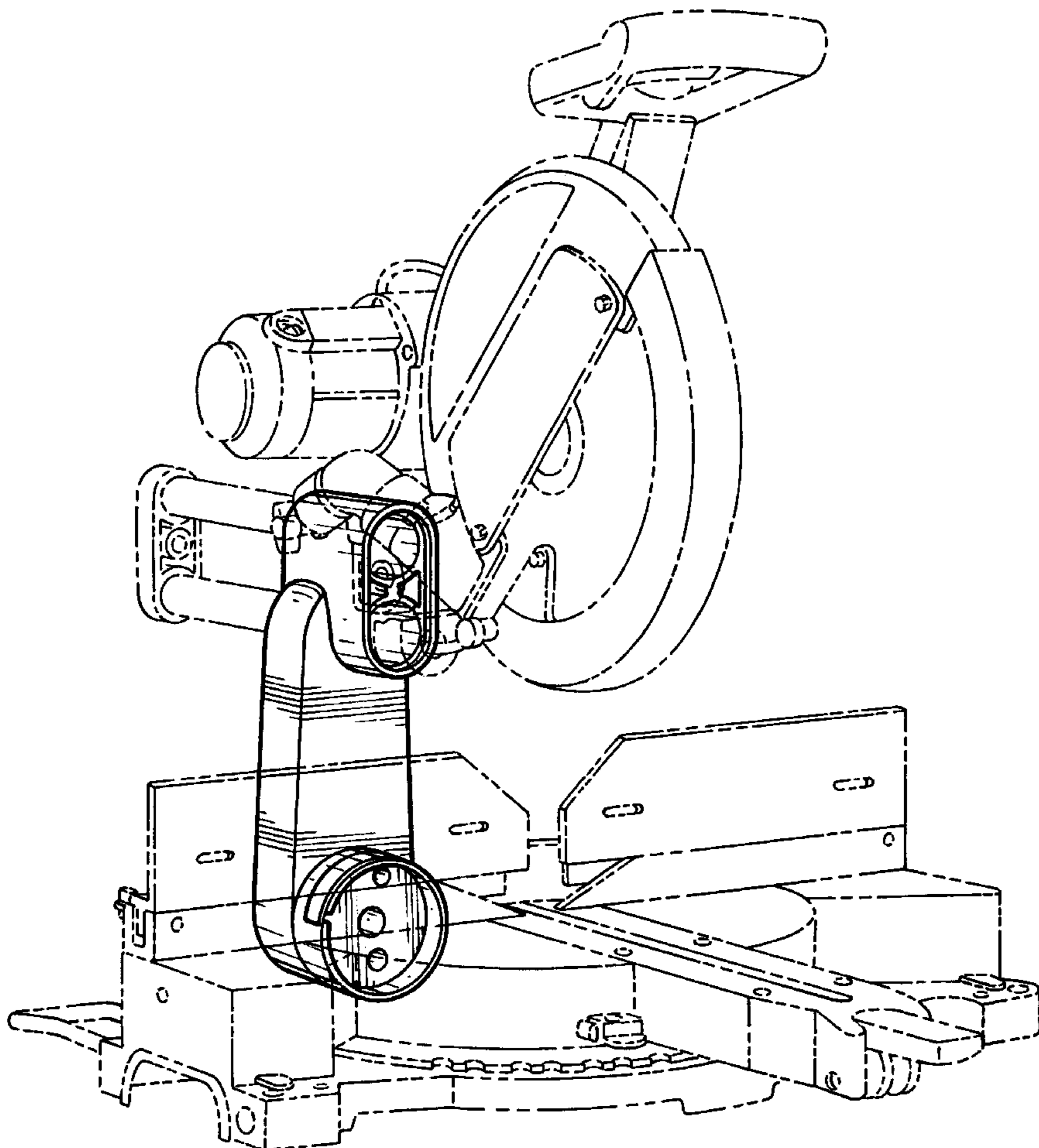
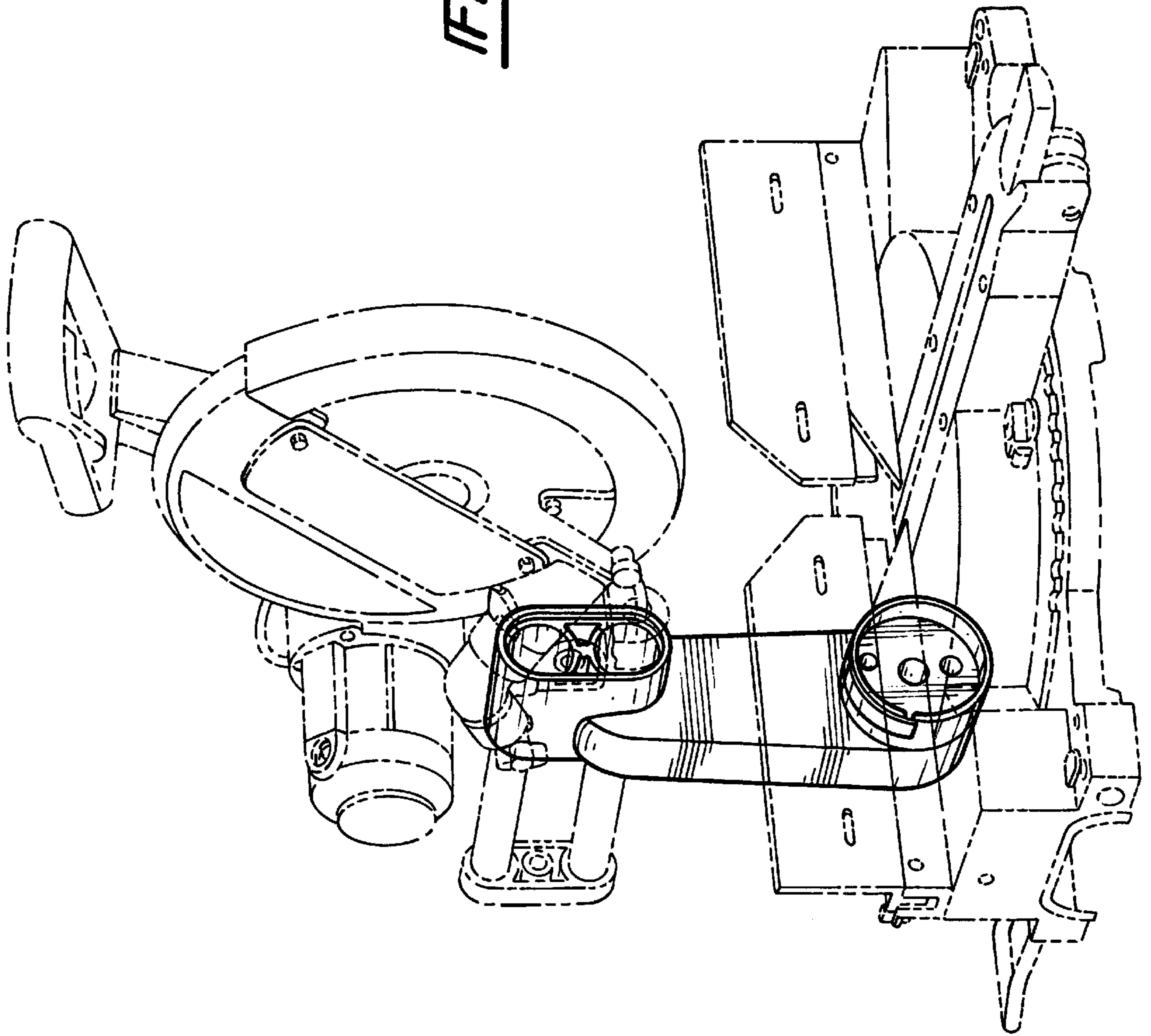


Fig-1



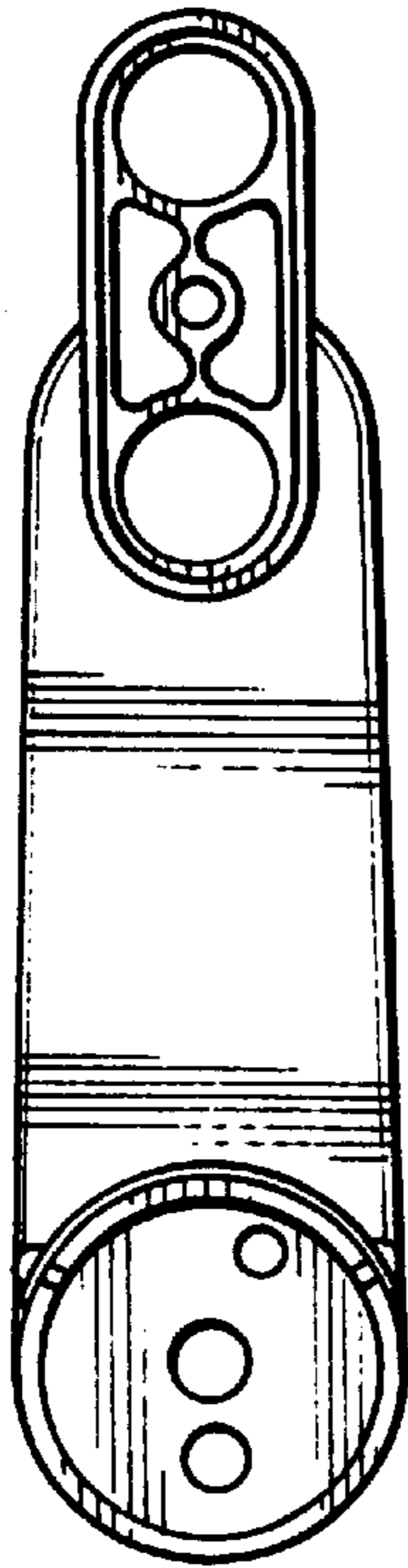


Fig-2

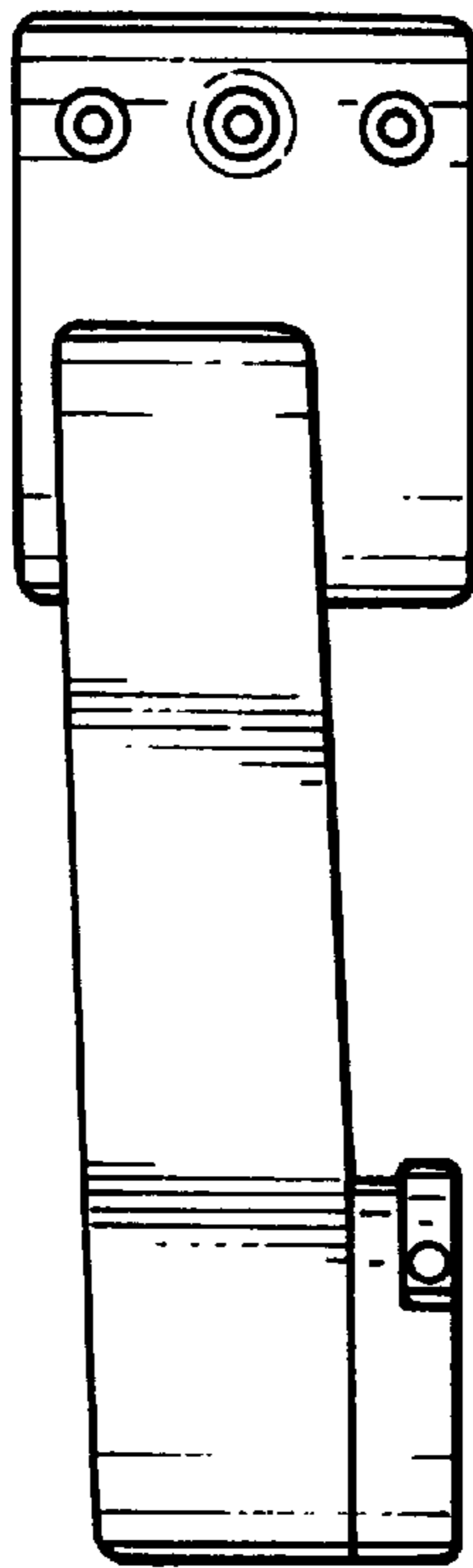


Fig-3

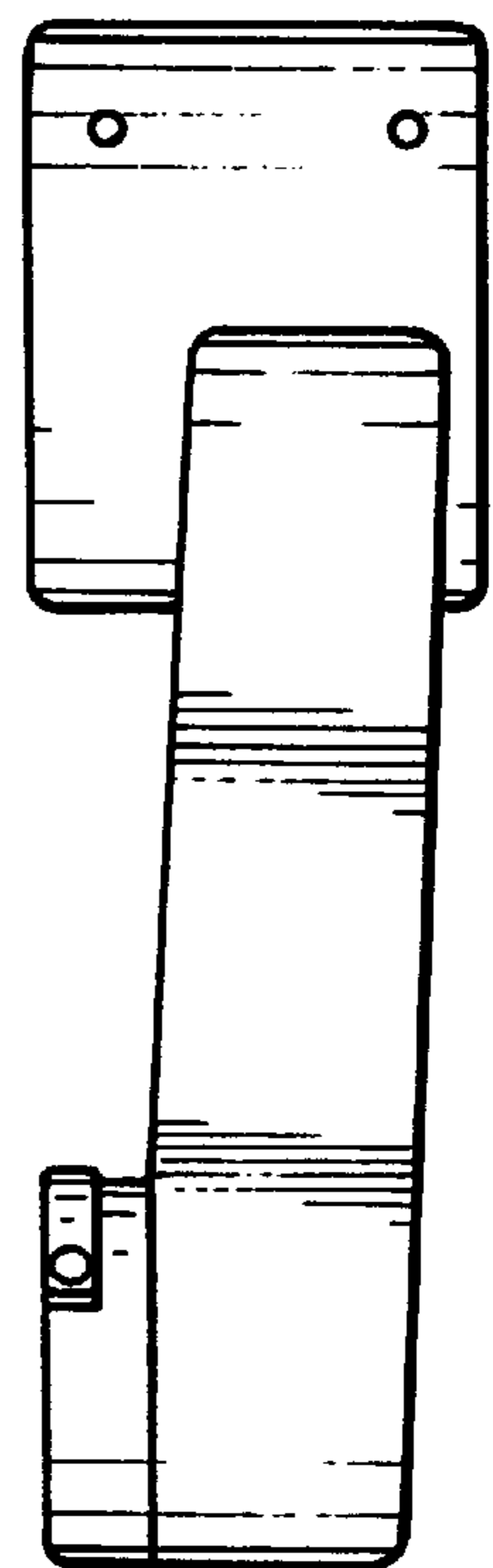


Fig-4

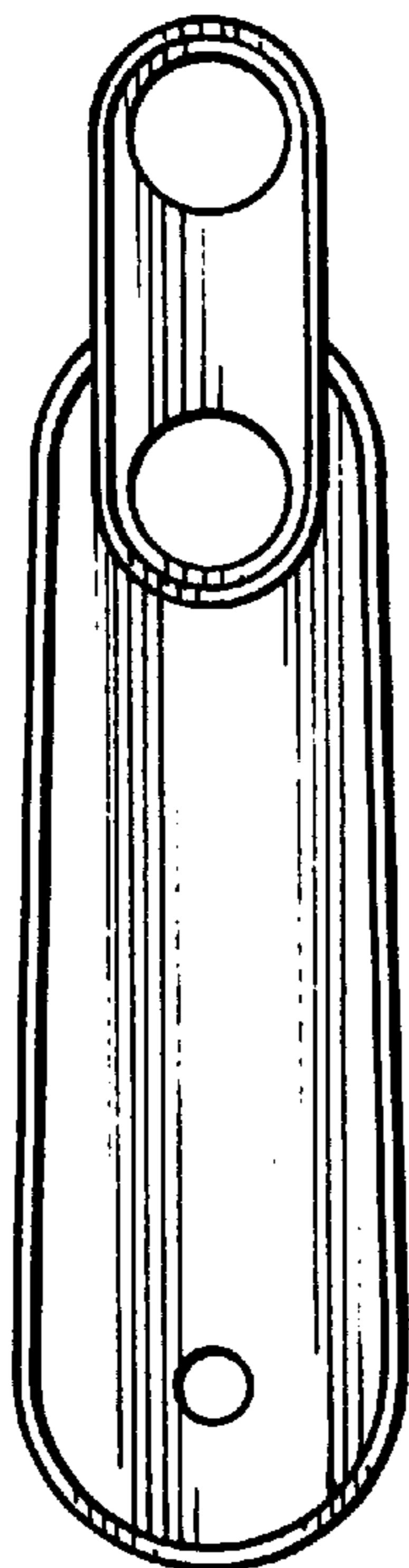


Fig-5

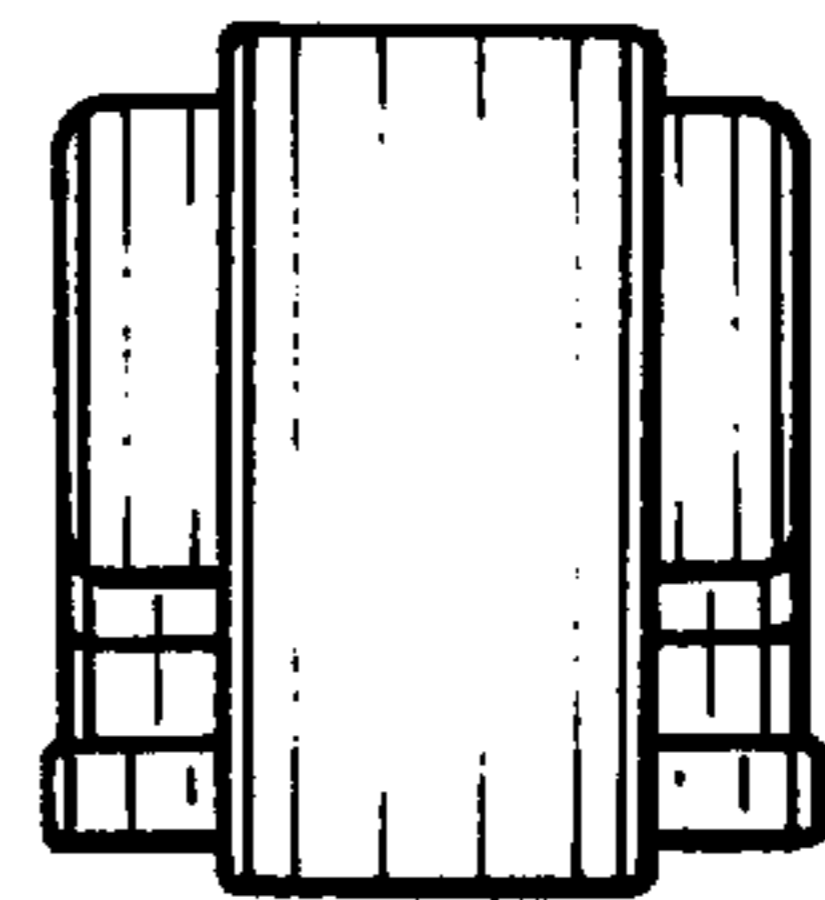


Fig-6

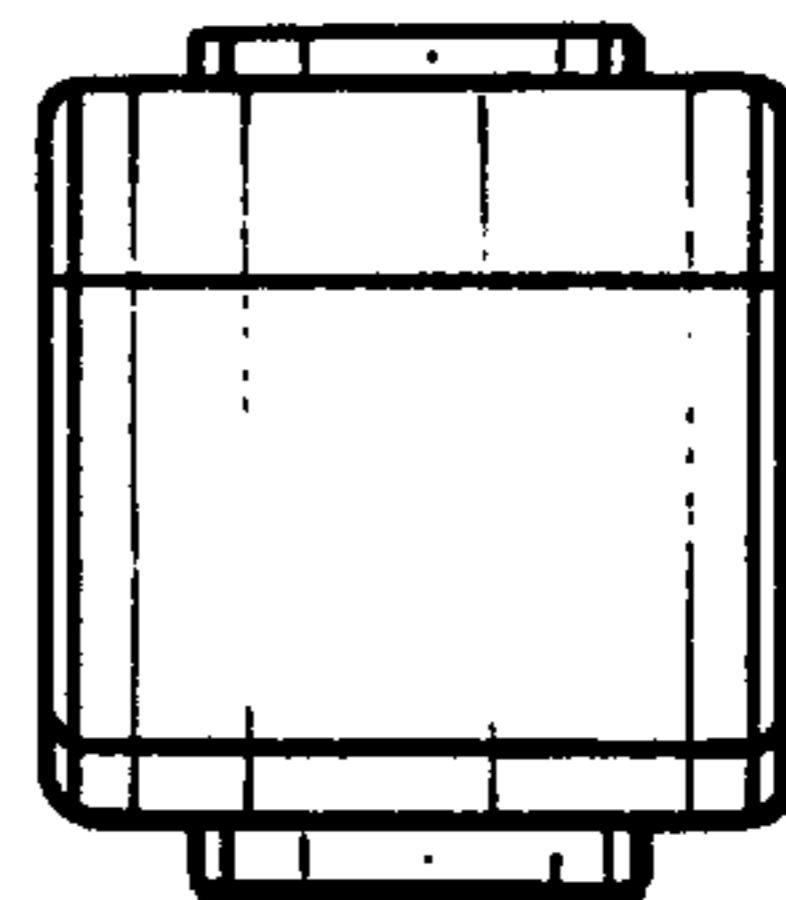


Fig-7