



US00D401596S

# United States Patent [19] Yukami

[11] **Patent Number: Des. 401,596**

[45] **Date of Patent: \*\*Nov. 24, 1998**

[54] **ENGINE FOR A MODEL**

D. 125,956 3/1941 May ..... D15/3  
D. 332,611 1/1993 Tikonenko ..... D15/3

[75] Inventor: **Yoshihiro Yukami**, Osaka, Japan

[73] Assignee: **O.S. Engines Mfg. Co., Ltd.**, Osaka, Japan

*Primary Examiner*—Ralf Seifert  
*Attorney, Agent, or Firm*—Wenderoth, Lind & Ponack, L.L.P.

[\*\*] Term: **14 Years**

### [57] CLAIM

[21] Appl. No.: **78,957**

The ornamental design for an engine for a model, as shown and described.

[22] Filed: **Sep. 30, 1997**

### DESCRIPTION

### [30] Foreign Application Priority Data

Sep. 9, 1997 [JP] Japan ..... 9-67295

FIG. 1 is a plan view of an engine for a model in accordance with the present design;  
FIG. 2 is a front view thereof;  
FIG. 3 is a right side view thereof;  
FIG. 4 is a bottom view thereof;  
FIG. 5 is a rear view thereof;  
FIG. 6 is a left side view thereof;  
FIG. 7 is a perspective view thereof;  
FIG. 8 is a enlarged sectional view taken along the line 8—8 of FIG. 3; and,  
FIG. 9 is an enlarged sectional view taken along the line 9—9 of FIG. 2.

[51] **LOC (6) Cl.** ..... **02-01**

[52] **U.S. Cl.** ..... **D15/1**

[58] **Field of Search** ..... D15/1-5; D34/15;  
244/53 R, 61; 123/179.27, 185 D; 35/12 T;  
46/78, 249, 39

### [56] References Cited

#### U.S. PATENT DOCUMENTS

D. 107,448 12/1937 Ohlsson et al. .... D15/3  
D. 116,981 10/1939 Ohlsson et al. .... D15/3

**1 Claim, 4 Drawing Sheets**

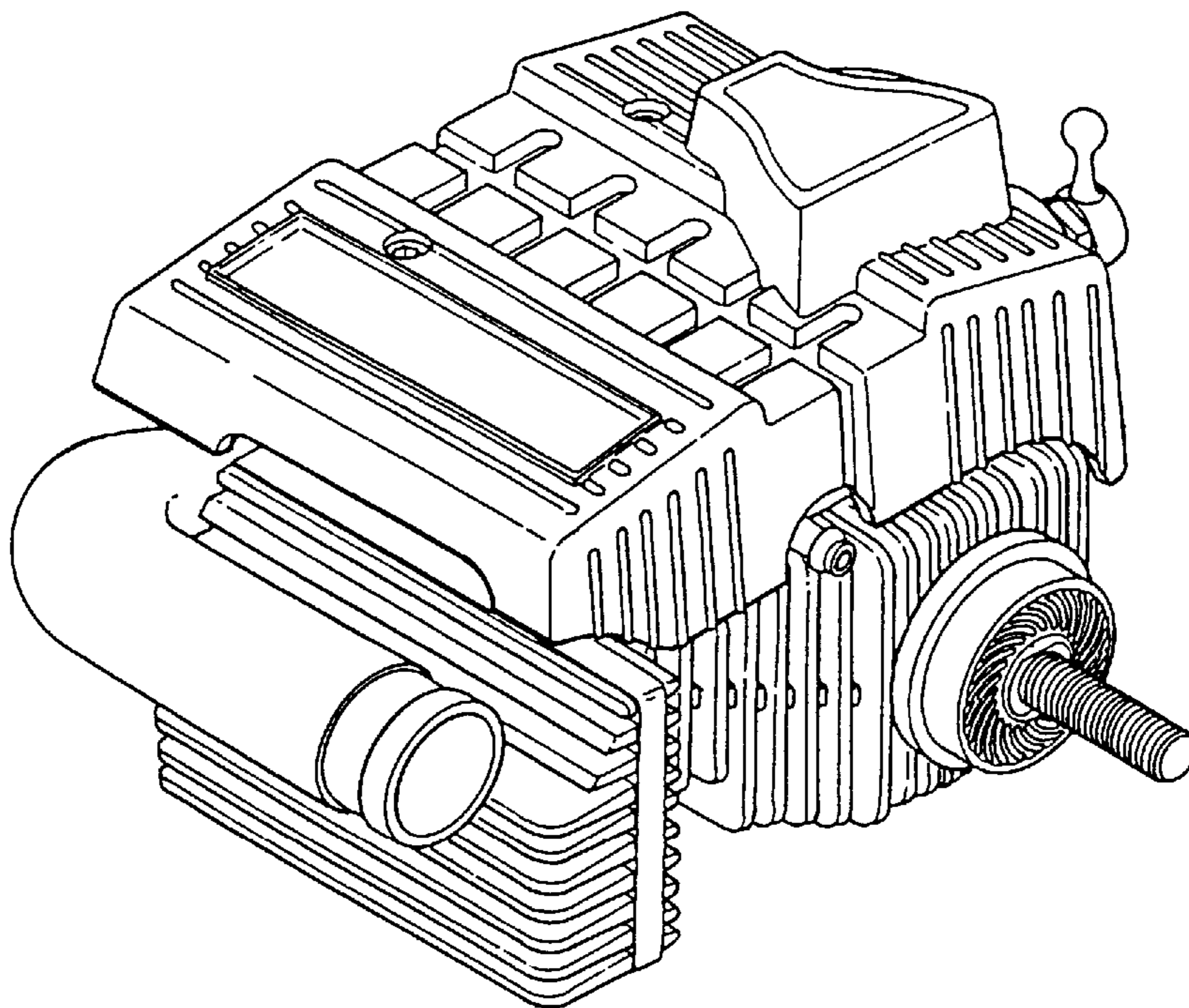


FIG. 1

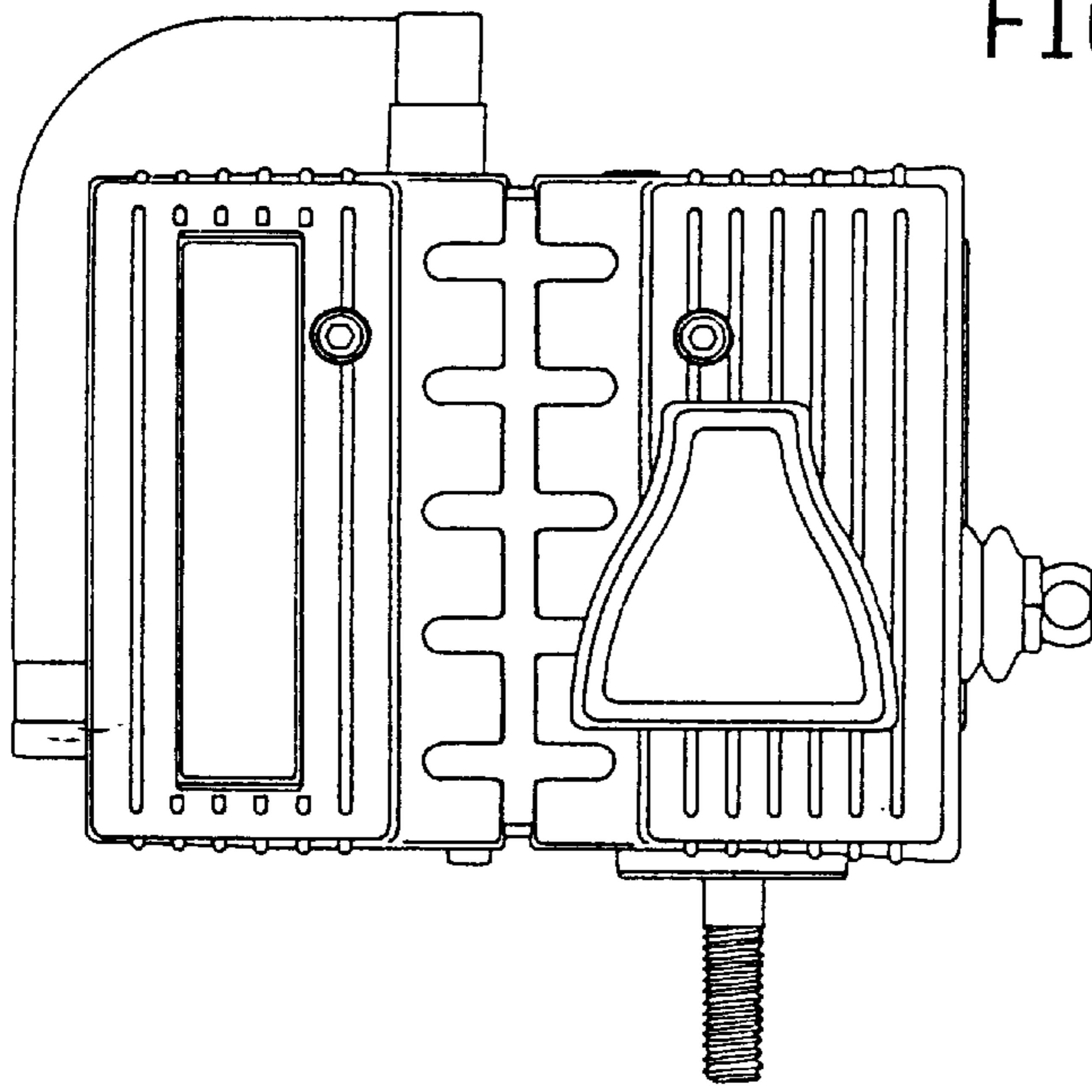


FIG. 2

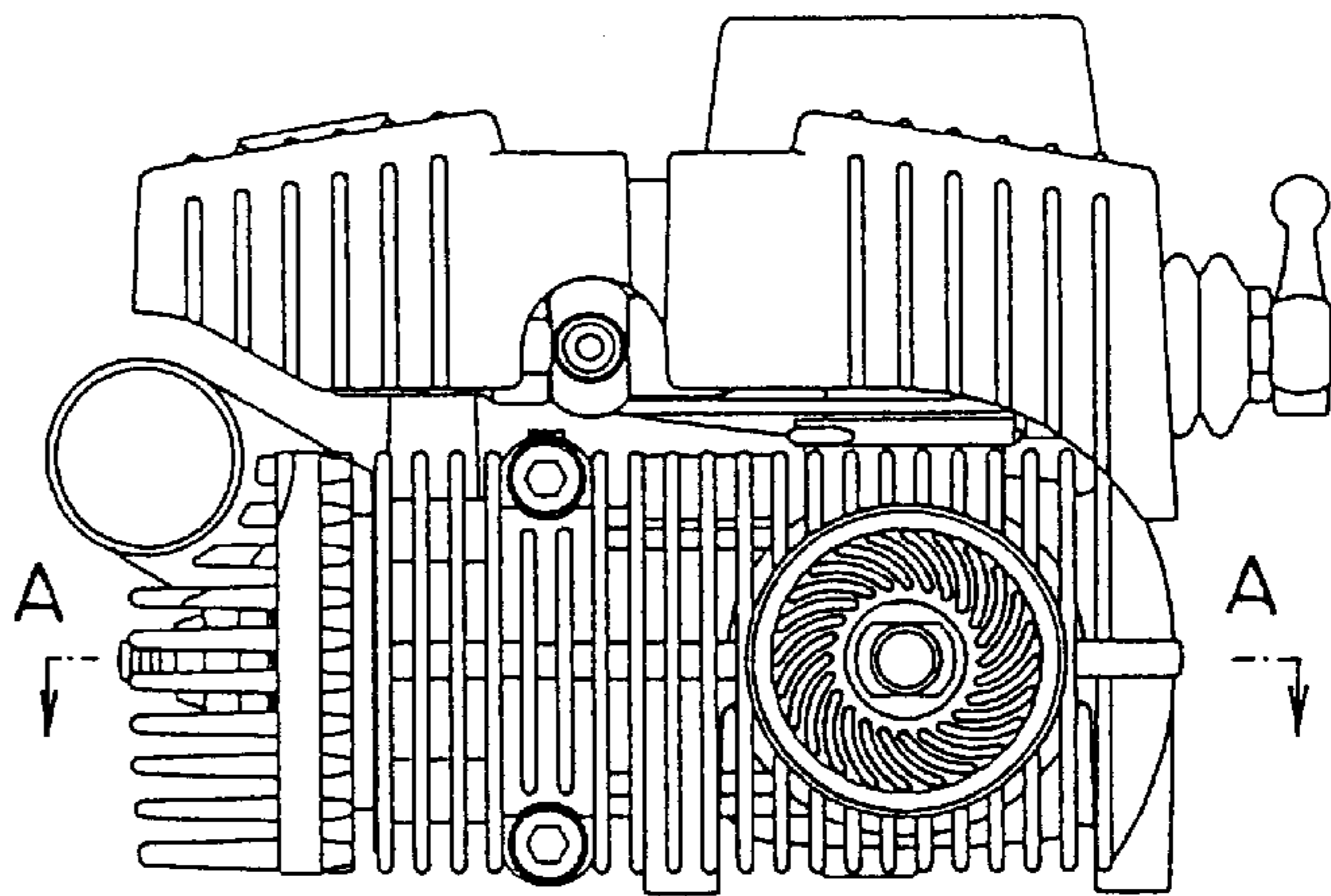


FIG. 3

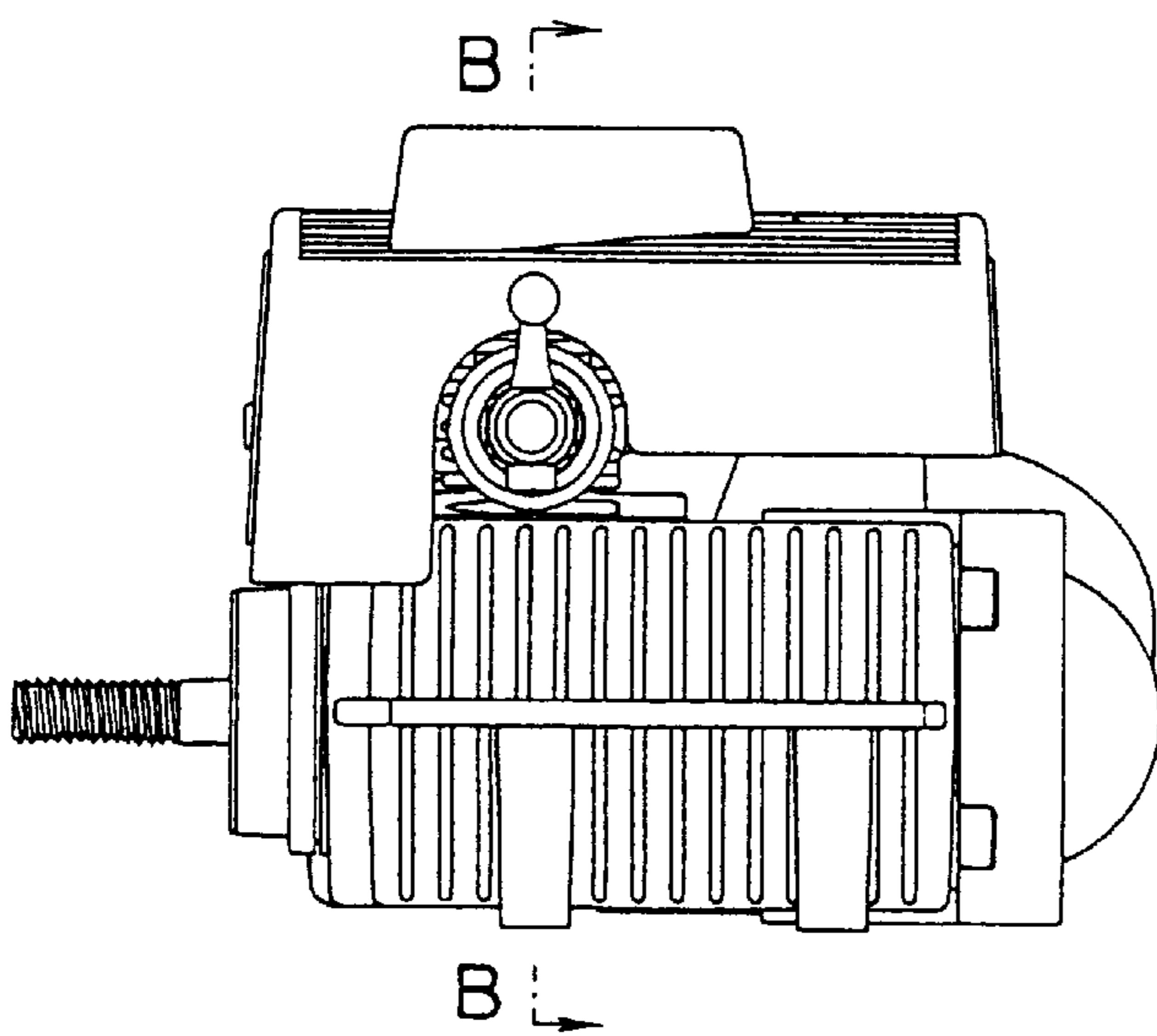


FIG. 4

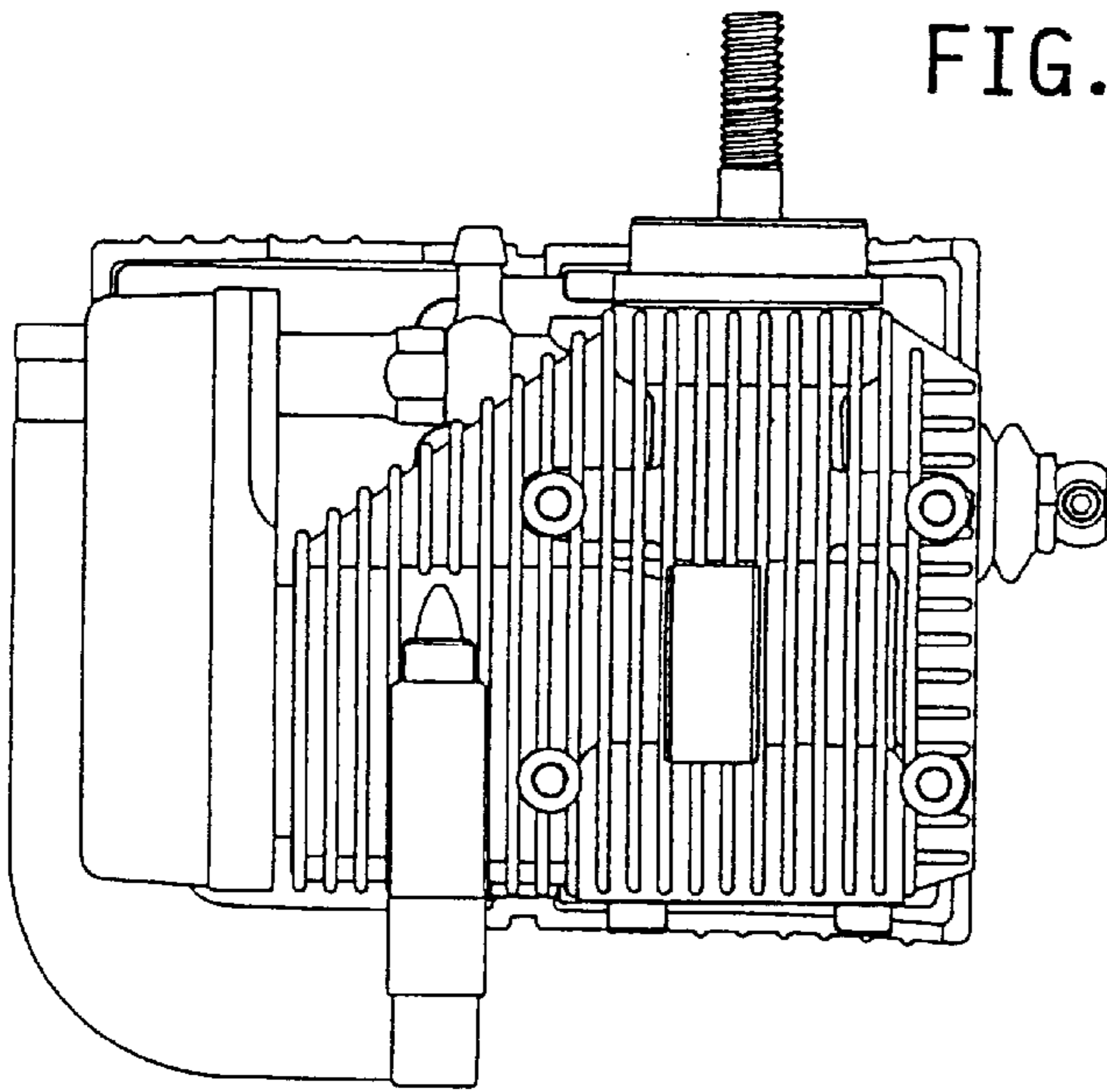


FIG. 5

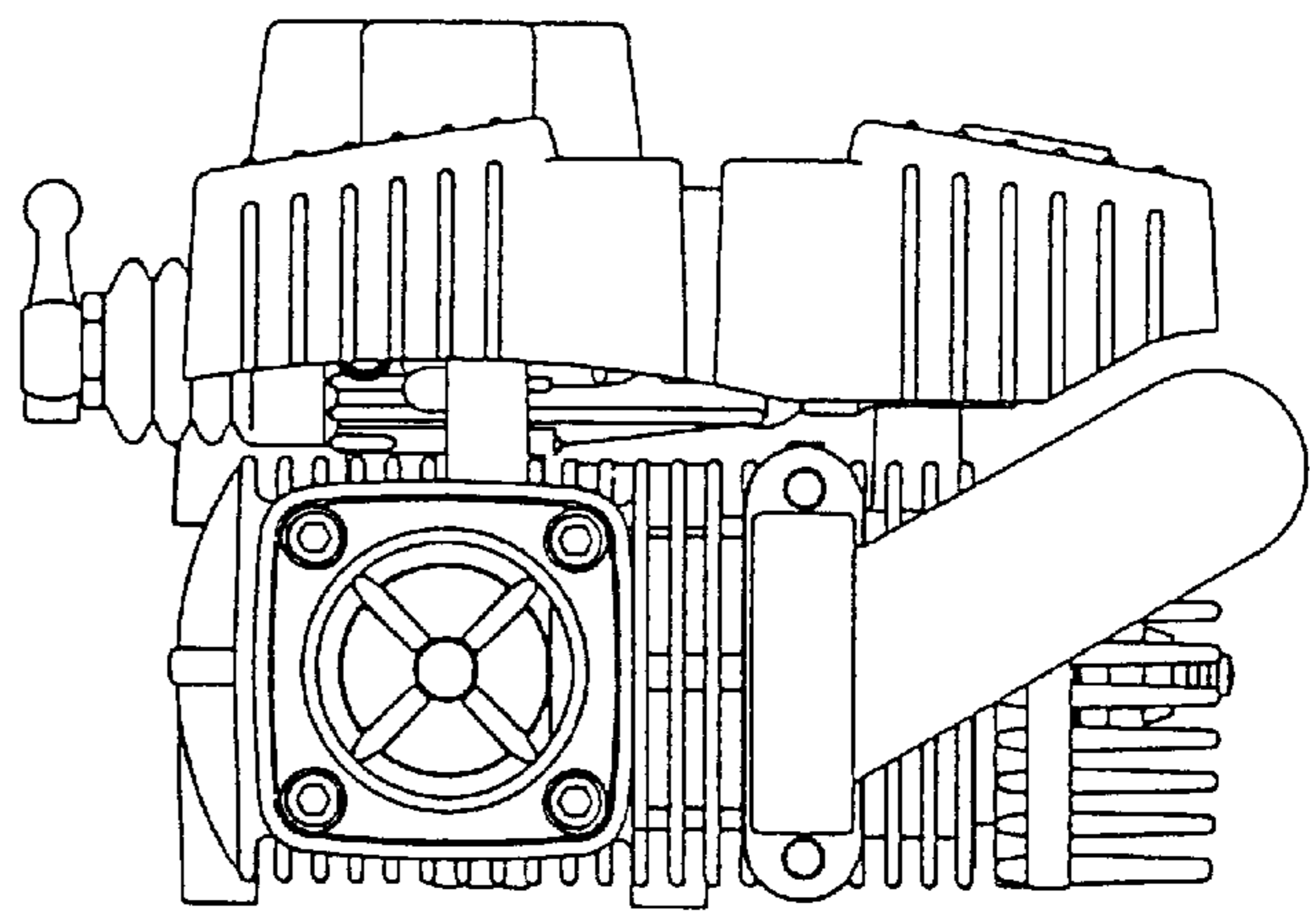


FIG. 6

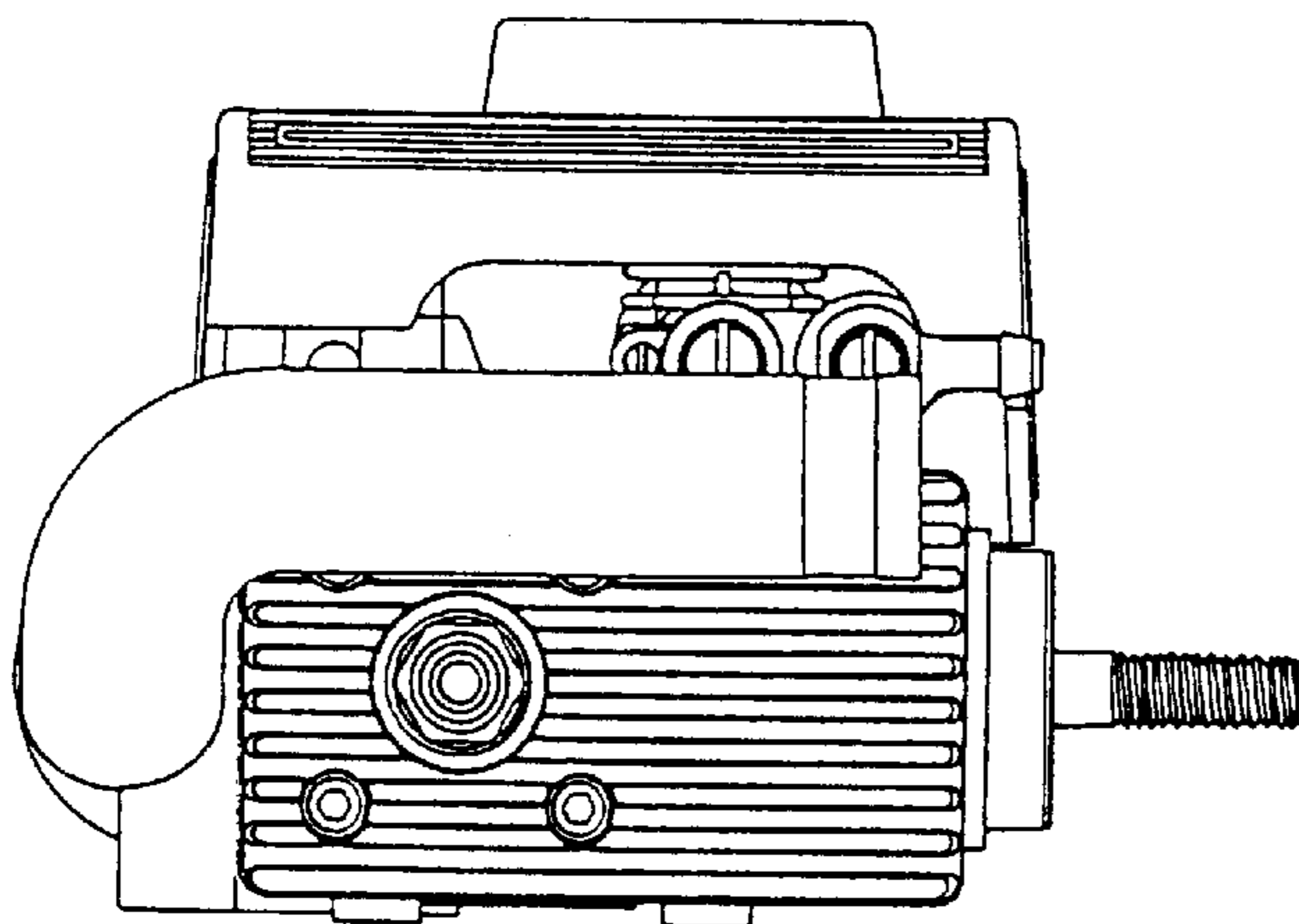


FIG. 7

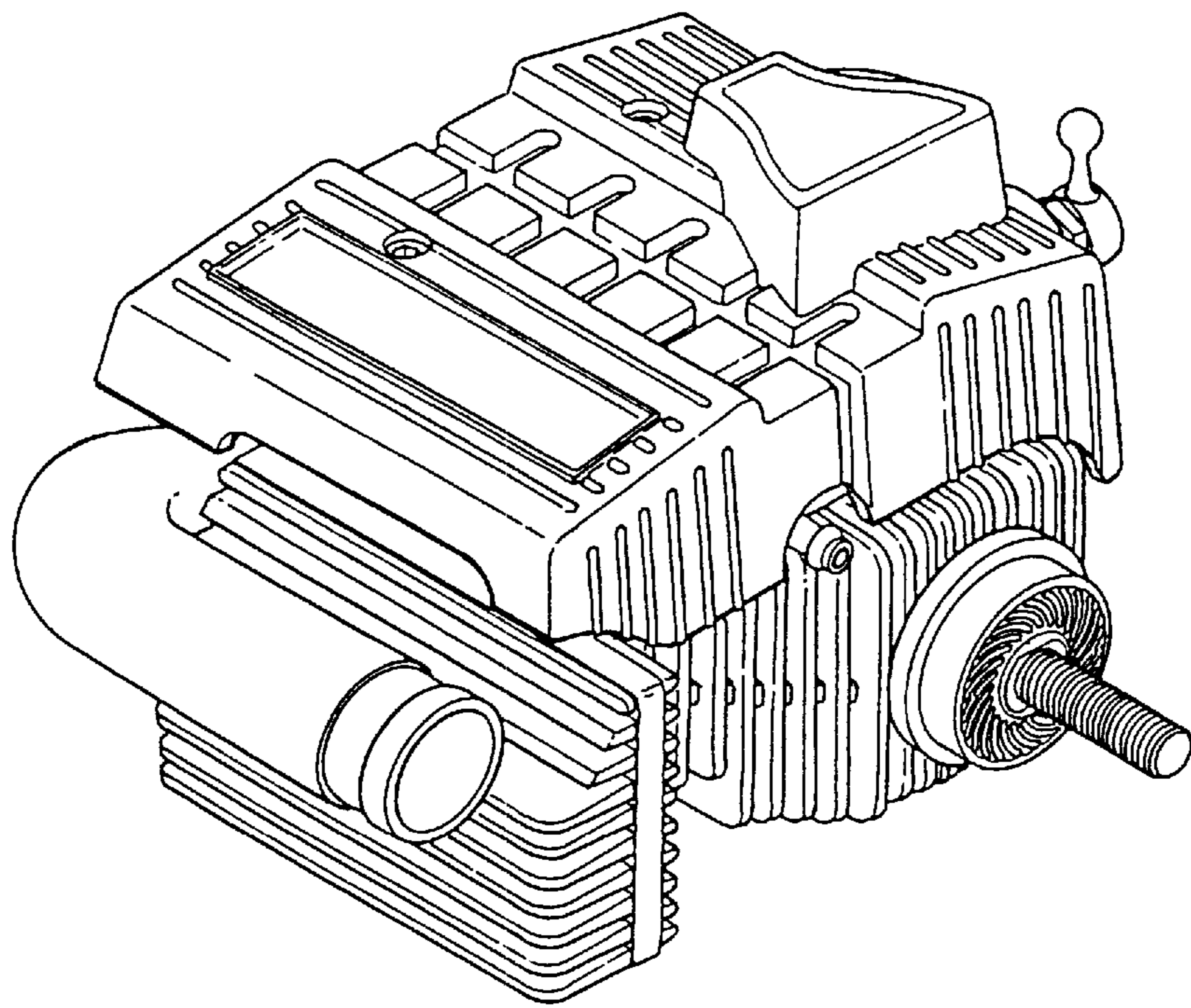




FIG. 8

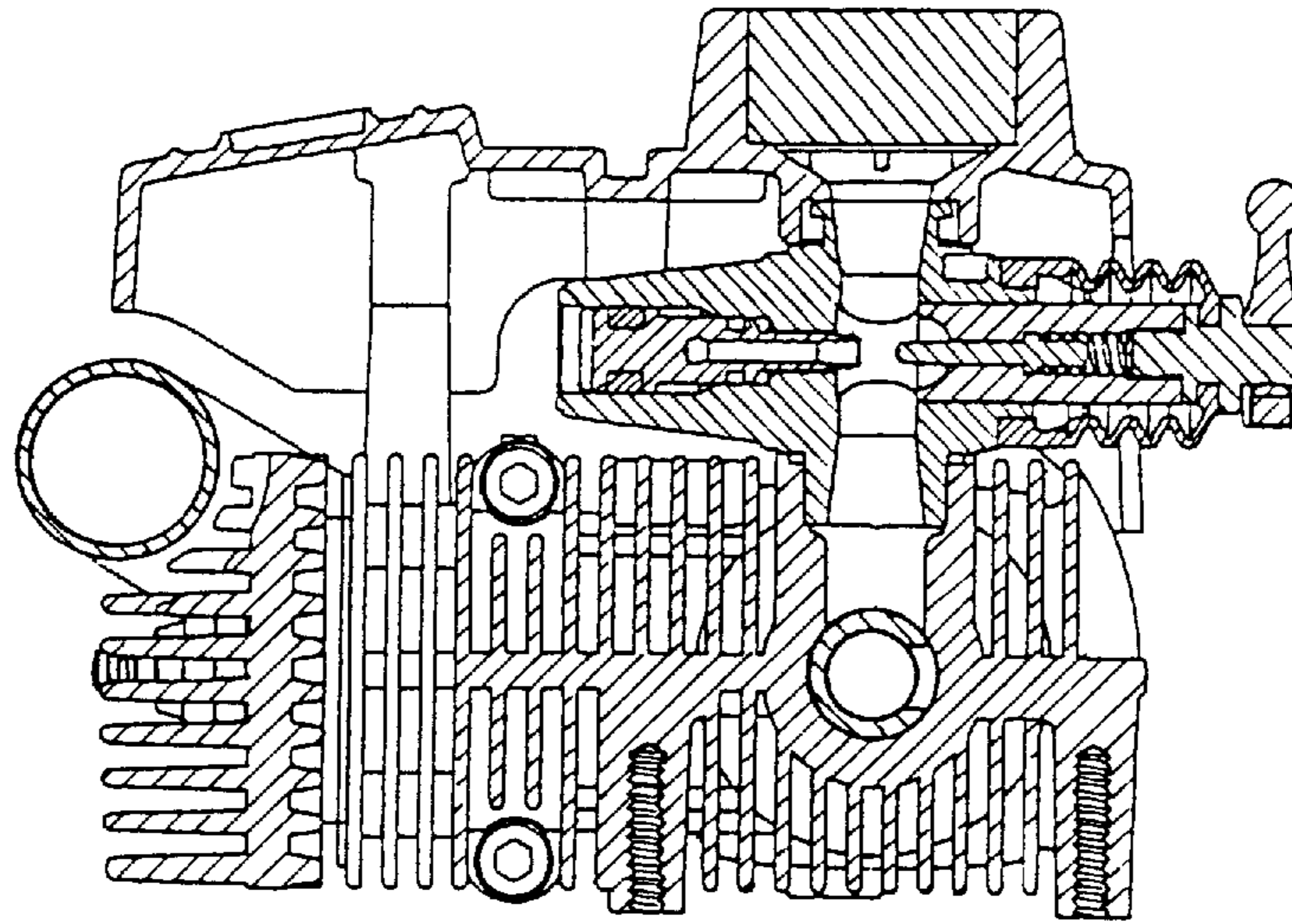


FIG. 9

