



US00D401594S

United States Patent [19]

Nishimura et al.

[11] **Patent Number: Des. 401,594**

[45] **Date of Patent: **Nov. 24, 1998**

[54] **NAVIGATION ANTENNA**

[75] **Inventors: Shinichiro Nishimura; Hideyuki Tsutsui, both of Tokyo; Miyoshi Nishio, Mitaka, all of Japan**

[73] **Assignee: Japan Radio Co., Ltd., Tokyo, Japan**

[**] **Term: 14 Years**

3,551,916 1/1971 Reid .

3,911,441 10/1975 Stein 343/709

3,999,183 12/1976 Brett 343/709

4,329,690 5/1982 Parker 343/709

5,111,212 5/1992 DeSatnick et al. 343/709

5,406,294 4/1995 Silvey et al. 343/709

5,661,495 8/1997 Saidell 343/702

5,684,493 11/1997 Floyd et al. 343/709

5,710,567 1/1998 Funke 343/702

[21] **Appl. No.: 68,018**

[22] **Filed: Mar. 14, 1997**

Primary Examiner—Ruth McInroy
Attorney, Agent, or Firm—Frishauf, Holtz, Goodman, Langer & Chick

[30] **Foreign Application Priority Data**

Sep. 25, 1996 [JP] Japan 8-28518

[57] **CLAIM**

The ornamental design for navigation antenna, as shown and described.

[51] **LOC (6) Cl. 14-03**

[52] **U.S. Cl. D14/230**

[58] **Field of Search D14/230-238, D14/204, 299; 343/781 R, 824-825, 872-873, 878, 888-890, 907-908, 912, DIG. 2, 713, 715, 709, 710, 725**

DESCRIPTION

FIG. 1 is a perspective view of navigation antenna, showing our new design;

FIG. 2 is a front view thereof;

FIG. 3 is a rear view thereof;

FIG. 4 is a left side view thereof, the right side view being a mirror image;

FIG. 5 is a top plan view thereof; and,

FIG. 6 is a bottom plan view thereof.

[56] **References Cited**

U.S. PATENT DOCUMENTS

D. 338,206 8/1993 Sawaguchi et al. D14/230

D. 387,771 10/1995 Martinson et al. D14/230

3,465,345 9/1969 Stromswold et al. .

1 Claim, 4 Drawing Sheets

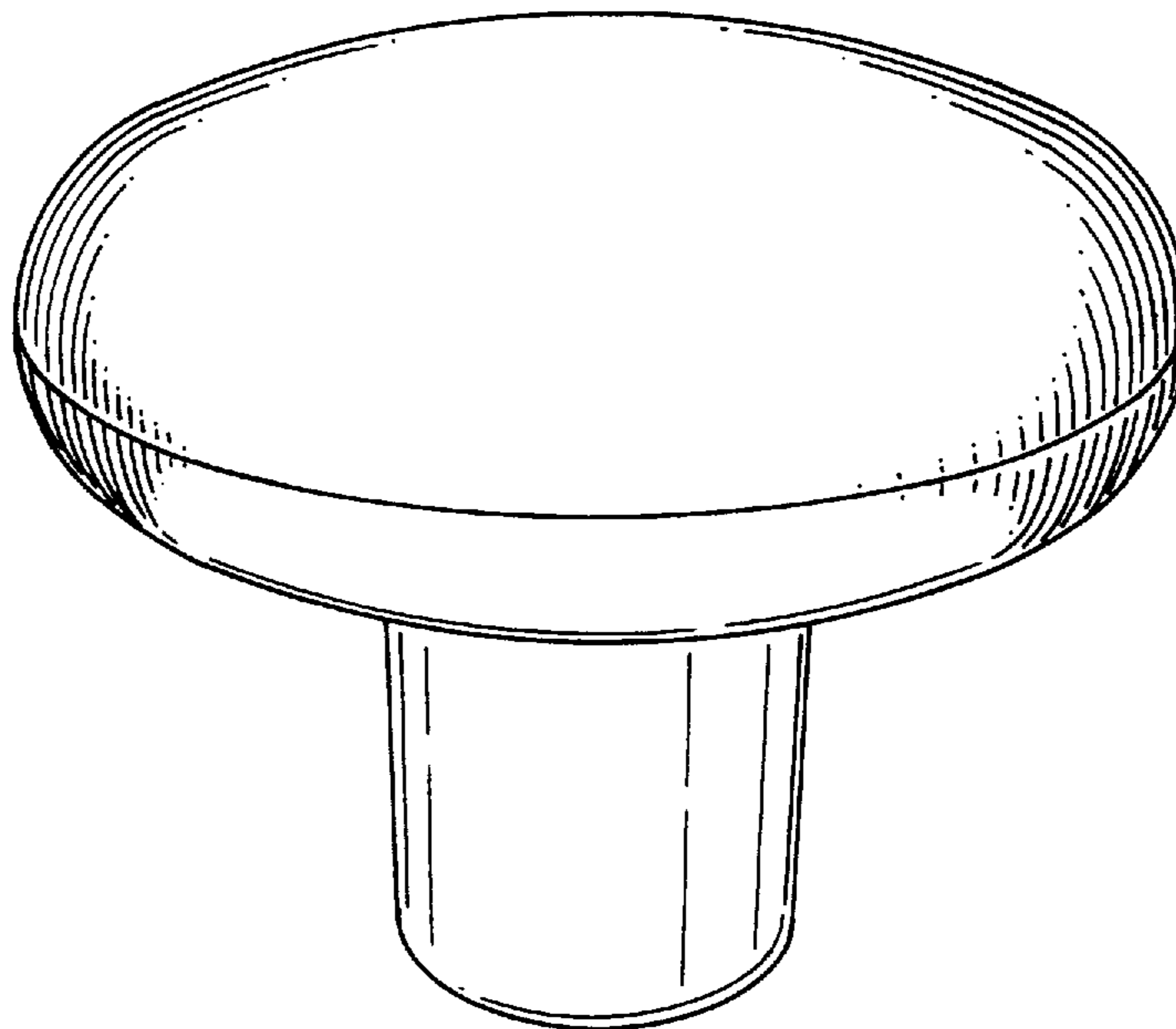


FIG. 1

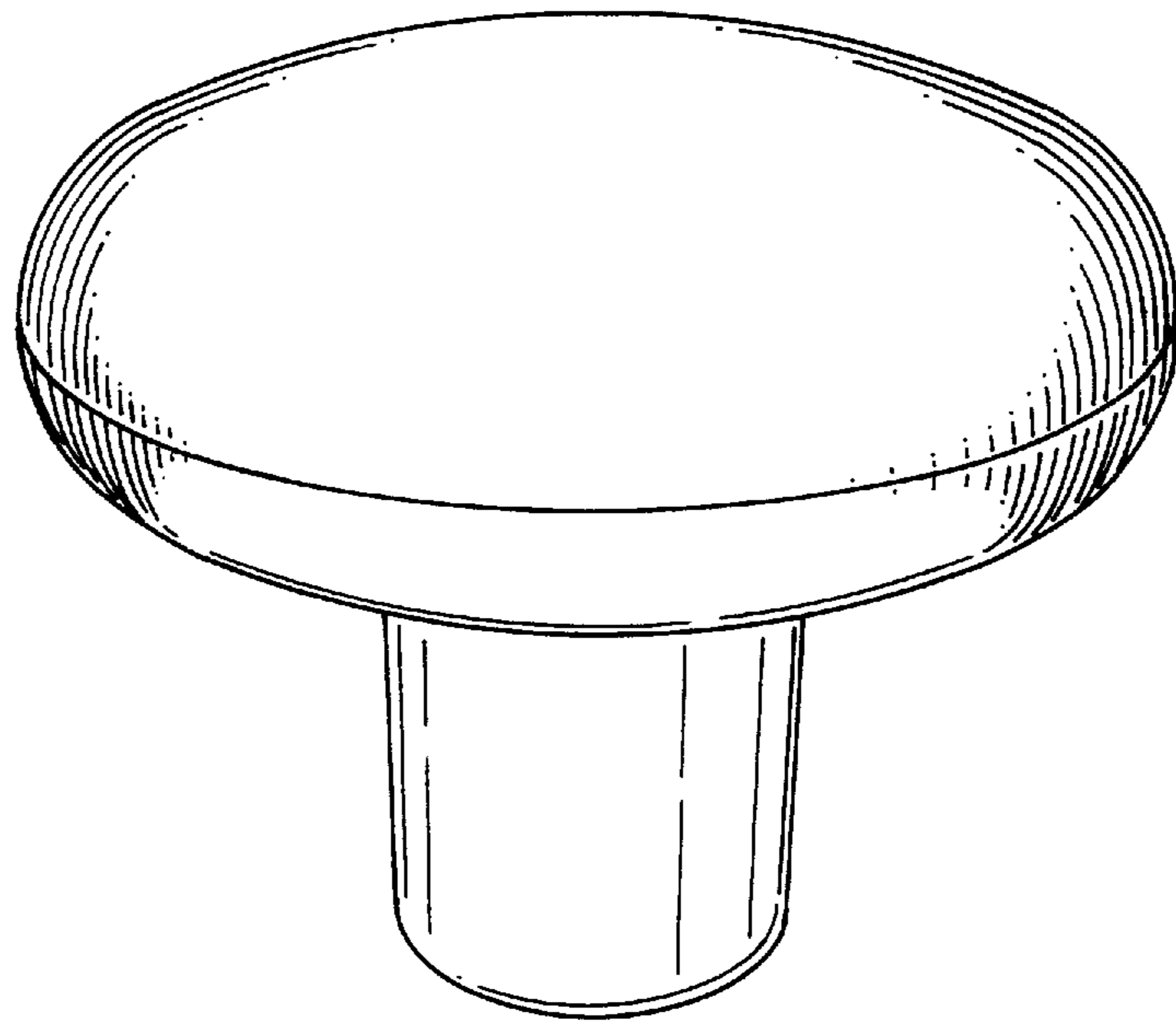


FIG. 2

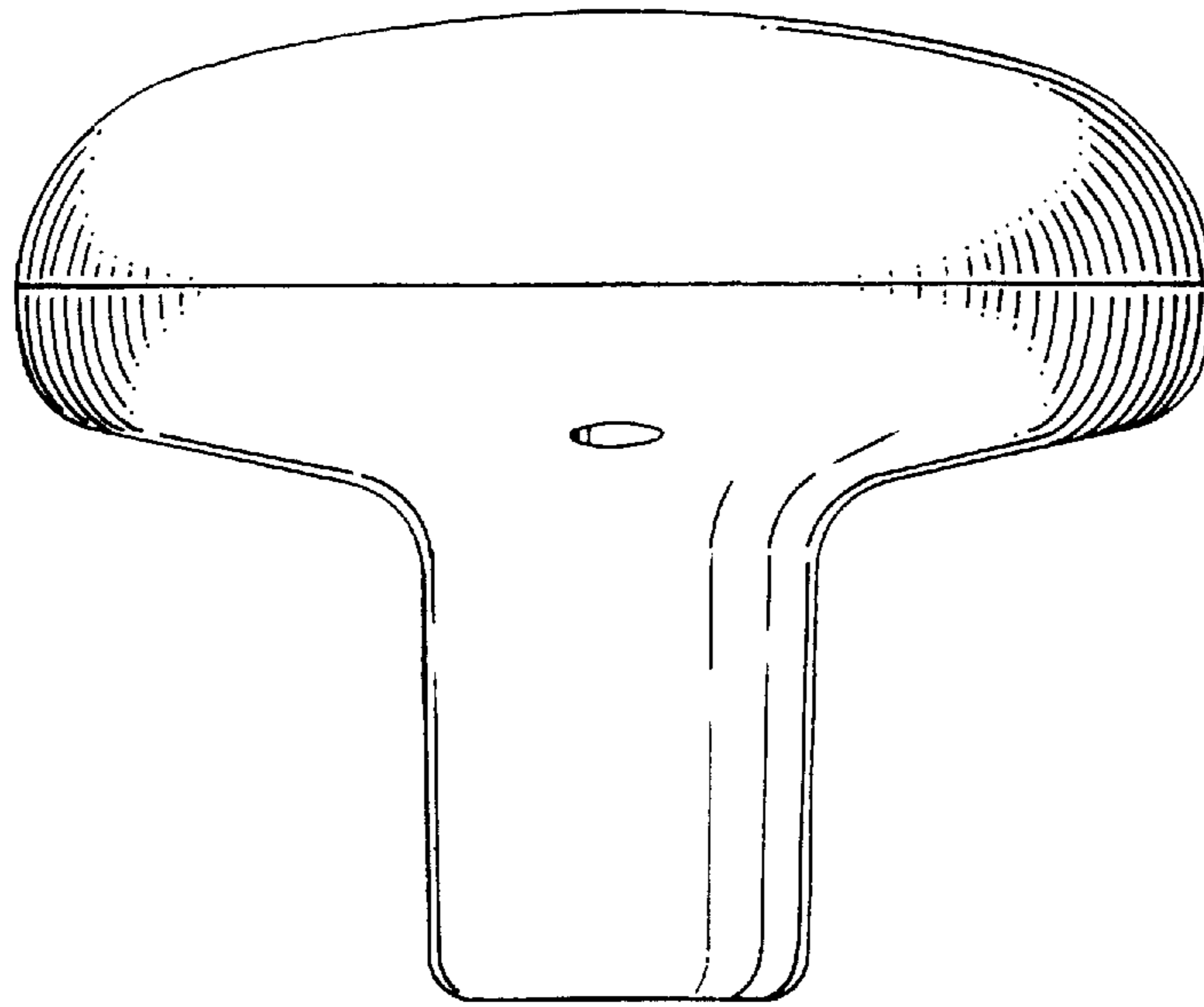


FIG. 3

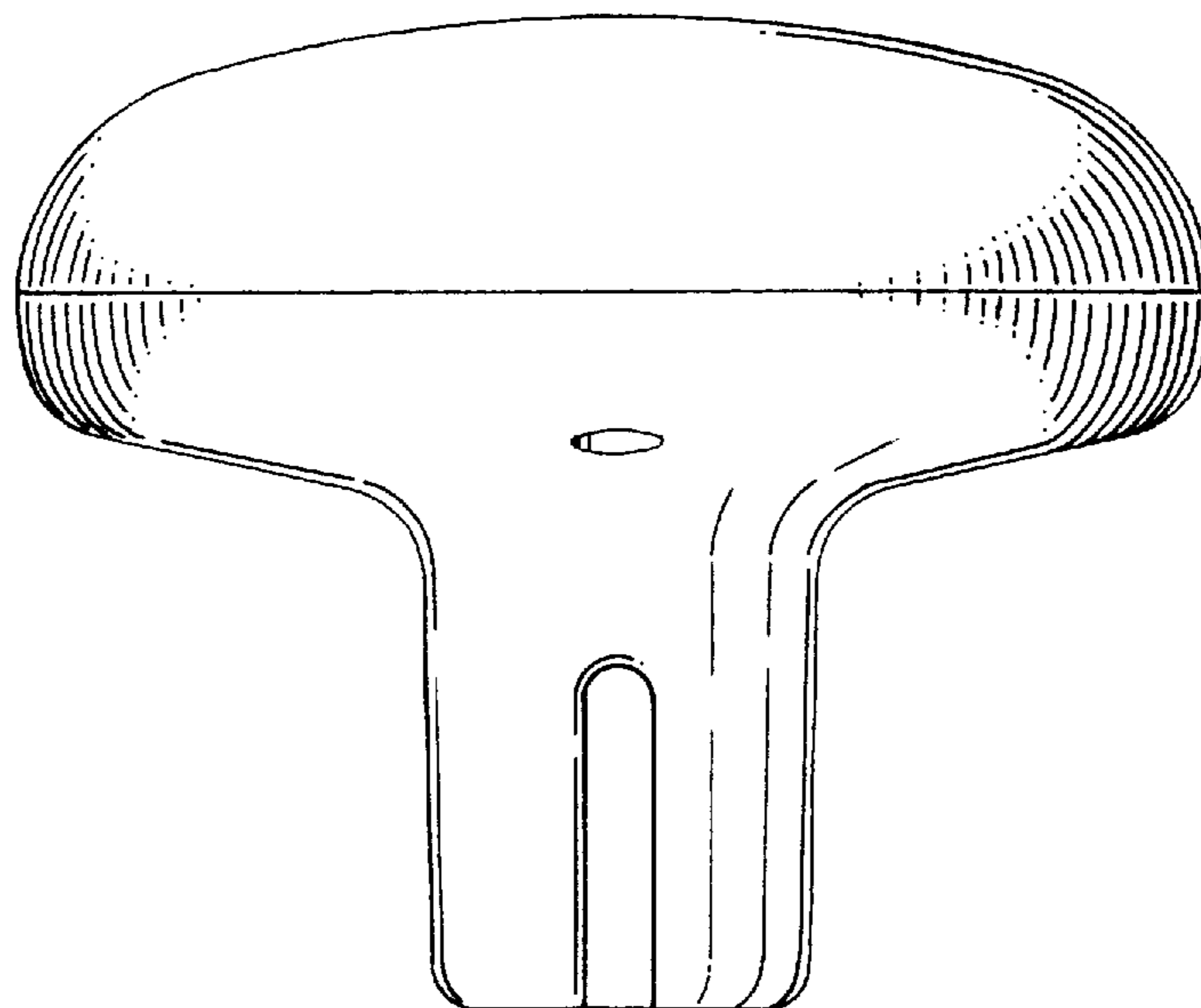


FIG. 4

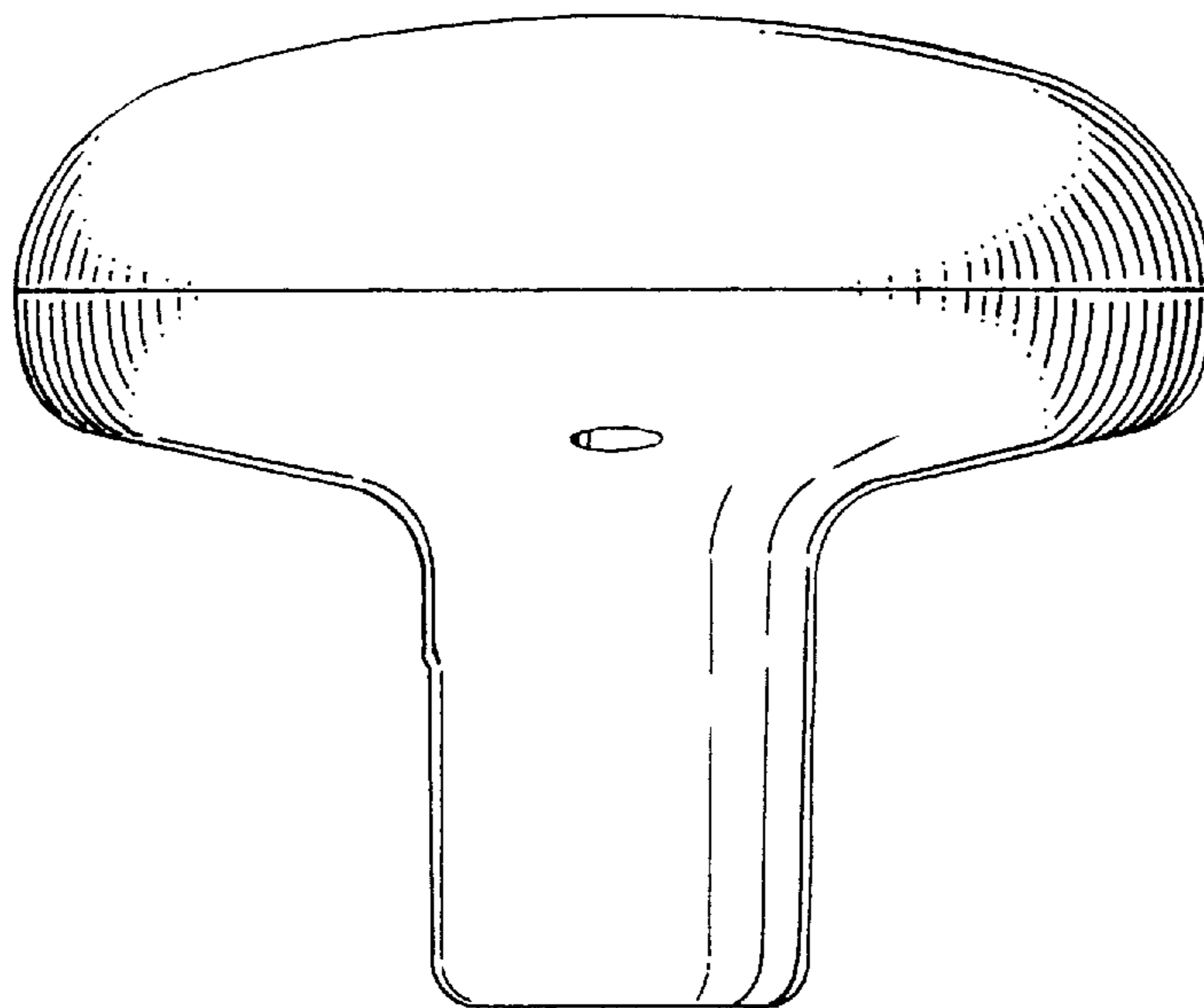


FIG. 5

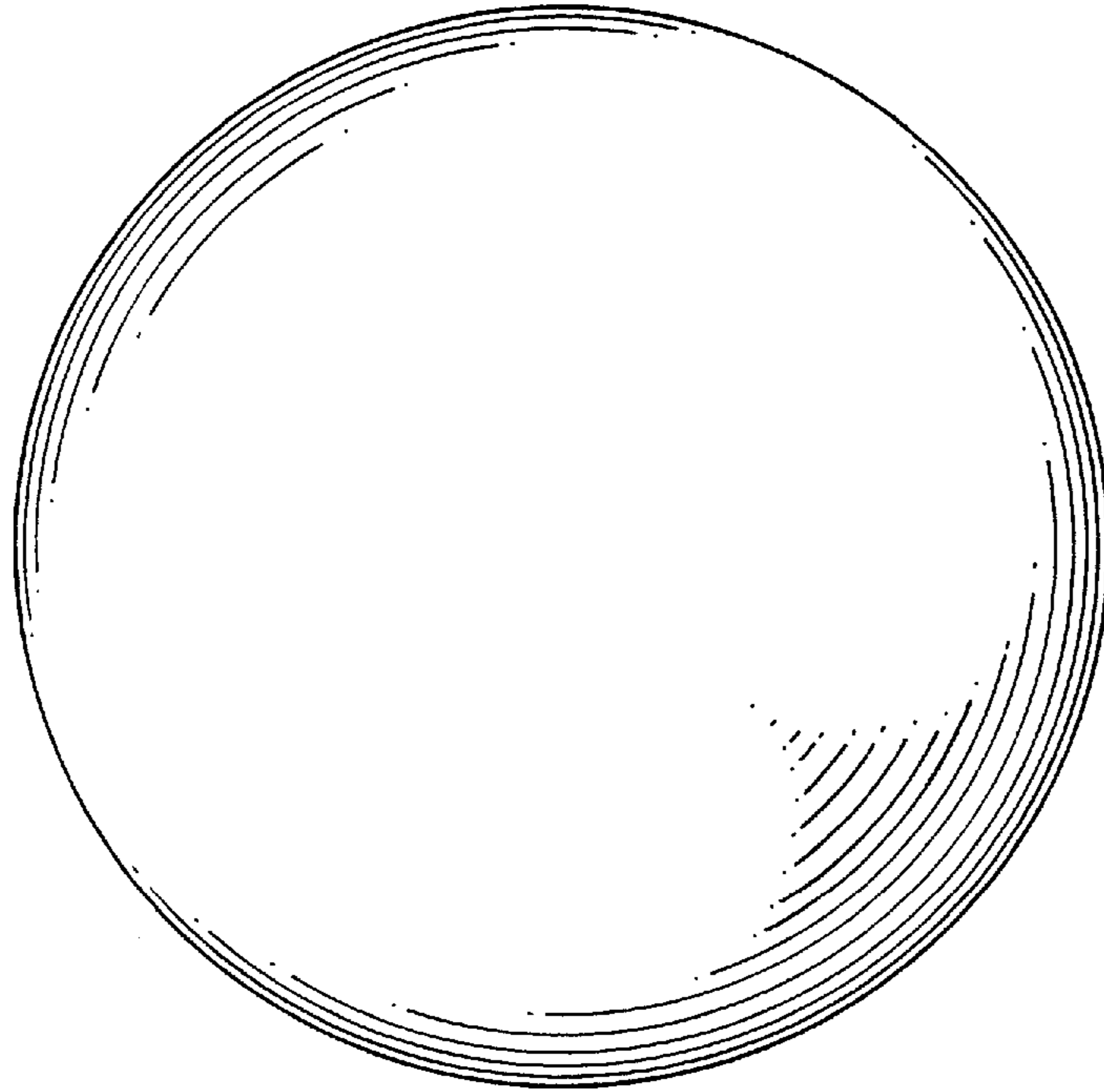


FIG. 6

