



US00D401593S

United States Patent [19]

Nishimura et al.

[11] Patent Number: **Des. 401,593**

[45] Date of Patent: ****Nov. 24, 1998**

[54] NAVIGATION ANTENNA

[75] Inventors: **Shinichiro Nishimura; Hideyuki Tsutsui**, both of Tokyo; **Miyoshi Nishio**, Mitaka, all of Japan

[73] Assignee: **Japan Radio Co., Ltd.**, Tokyo, Japan

[**] Term: **14 Years**

3,551,916 1/1971 Reid .
 3,911,441 10/1975 Stein 343/709
 3,999,183 12/1976 Brett 343/709
 4,329,690 5/1982 Parker 343/709
 5,111,212 5/1992 DeSatnick et al. 343/709
 5,406,294 4/1995 Silvey et al. 343/709
 5,661,495 8/1997 Saidell 343/702
 5,684,493 11/1997 Floyd et al. 343/709
 5,710,567 1/1998 Funke 343/702

[21] Appl. No.: **68,017**

[22] Filed: **Mar. 14, 1997**

Primary Examiner—Ruth McInroy
Attorney, Agent, or Firm—Frishauf, Holtz, Goodman, Langer & Chick

[30] Foreign Application Priority Data

Sep. 25, 1996 [JP] Japan 8-28517

[51] LOC (6) Cl. **14-03**

[52] U.S. Cl. **D14/230**

[58] Field of Search D14/230-238,
 D14/204, 299; 343/781 R, 824-825, 872-873,
 878, 888-890, 907-908, 912, DIG. 2, 713,
 715, 709, 710, 725

[57] CLAIM

The ornamental design for navigation antenna, as shown and described.

DESCRIPTION

FIG. 1 is a perspective view of navigation antenna, showing our new design;
 FIG. 2 is a front view thereof;
 FIG. 3 is a rear view thereof;
 FIG. 4 is a left side view thereof; the right side view being a mirror image;
 FIG. 5 is a top plan view thereof; and,
 FIG. 6 is a bottom plan view thereof.

[56] References Cited

U.S. PATENT DOCUMENTS

D. 338,206 8/1993 Sawaguchi et al. D14/230
 D. 387,771 12/1997 Martinson et al. D14/230
 3,465,345 9/1969 Stromswold et al. .

1 Claim, 4 Drawing Sheets

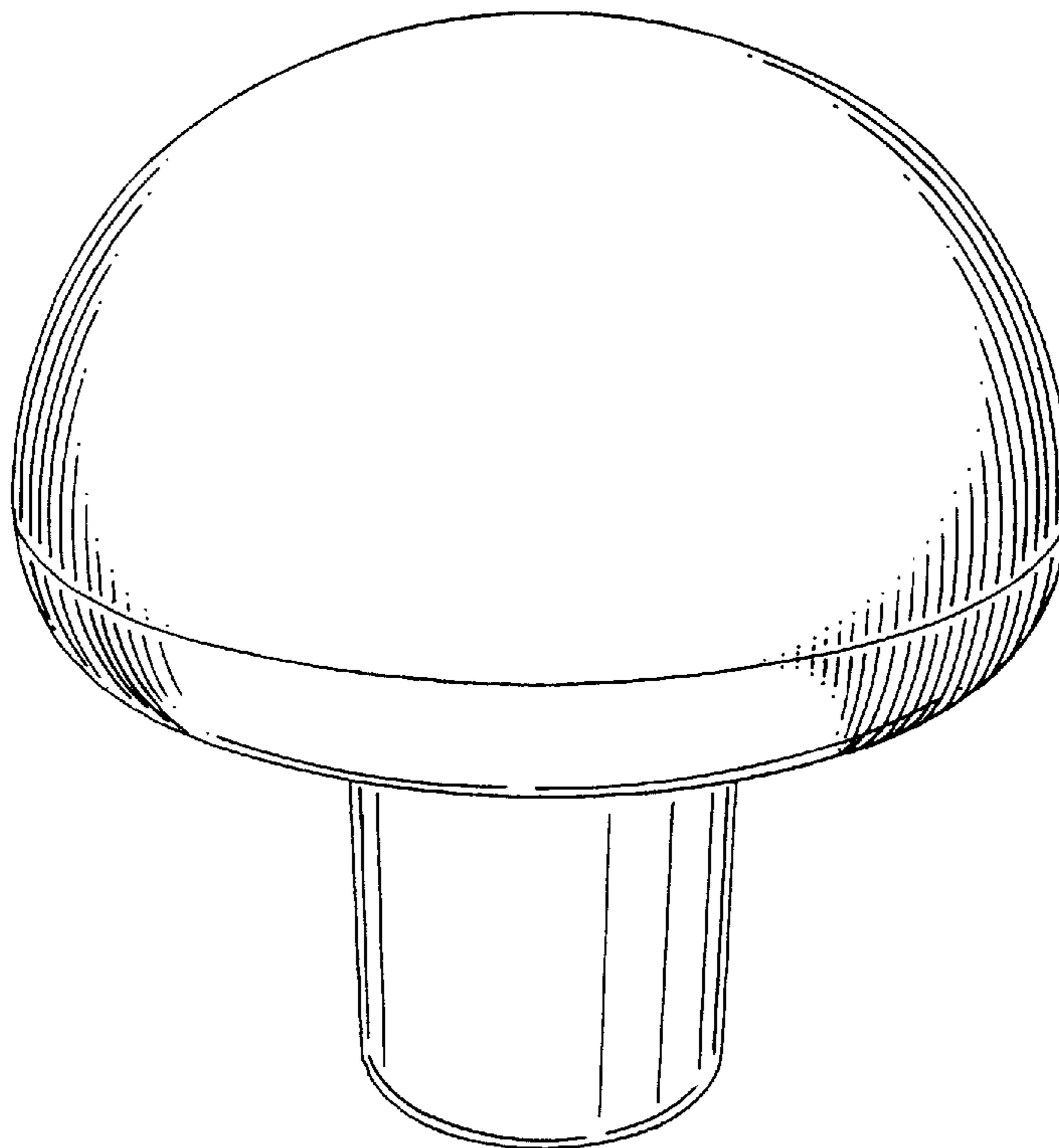


FIG. 1

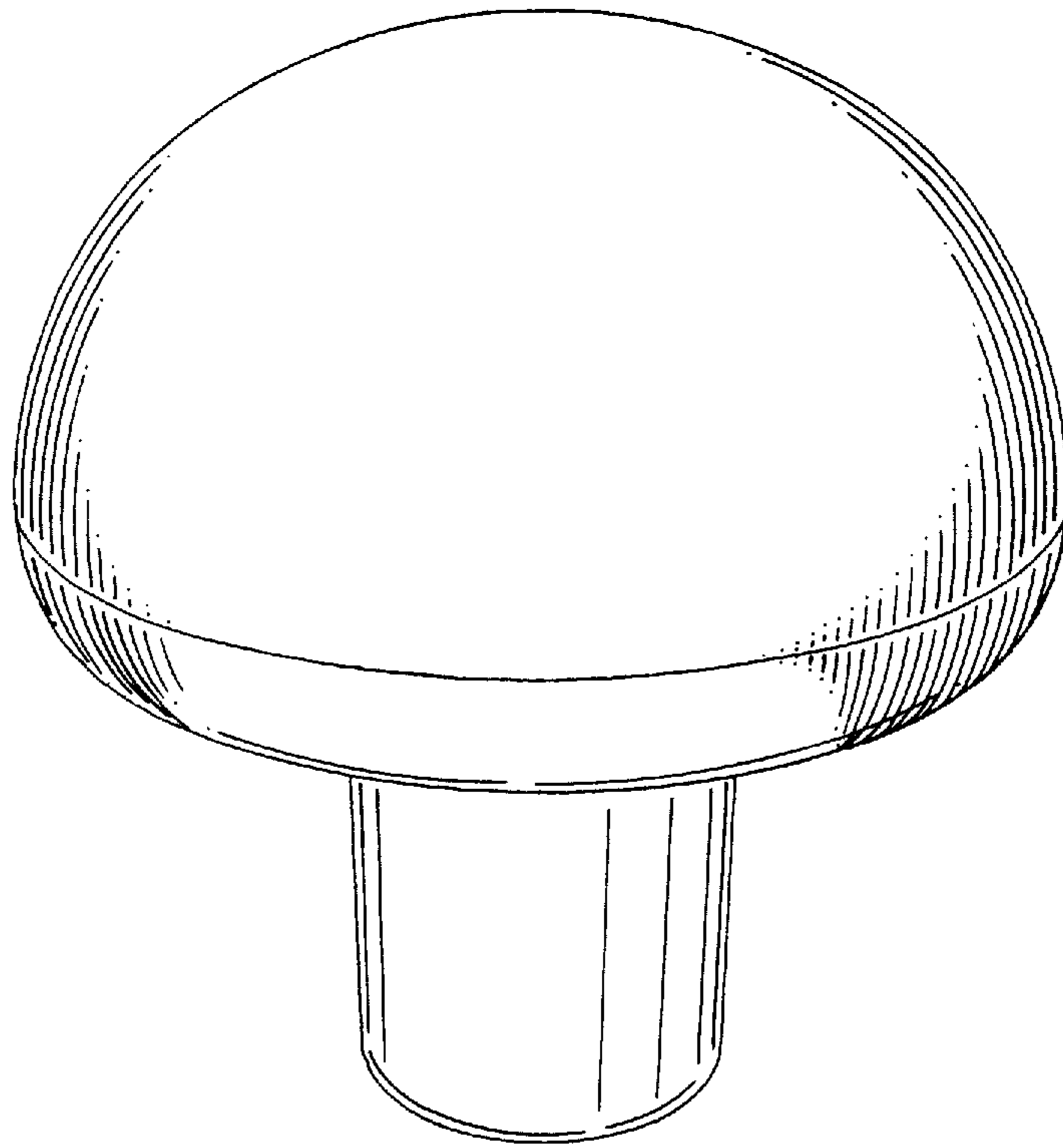


FIG. 2

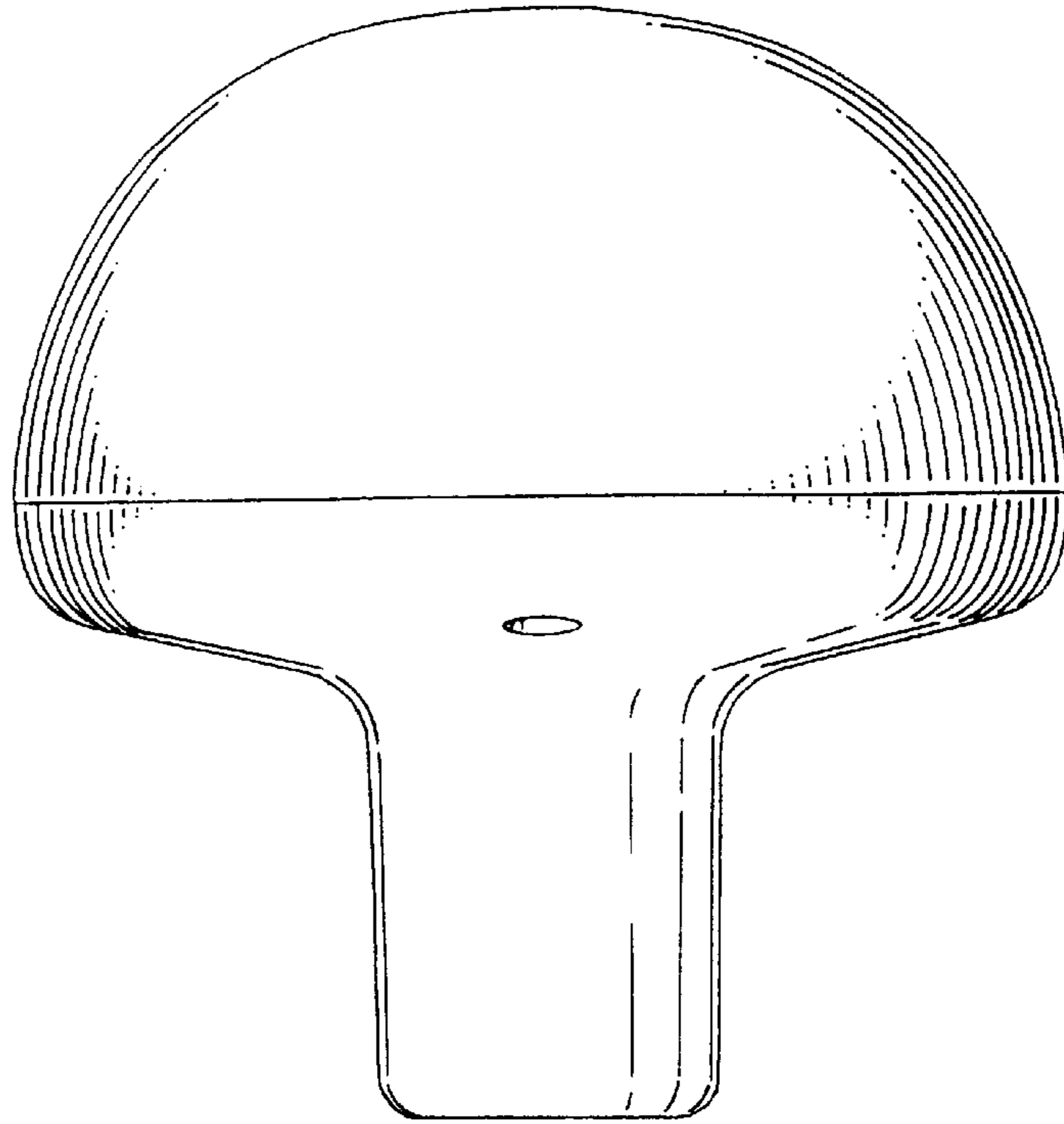


FIG. 3

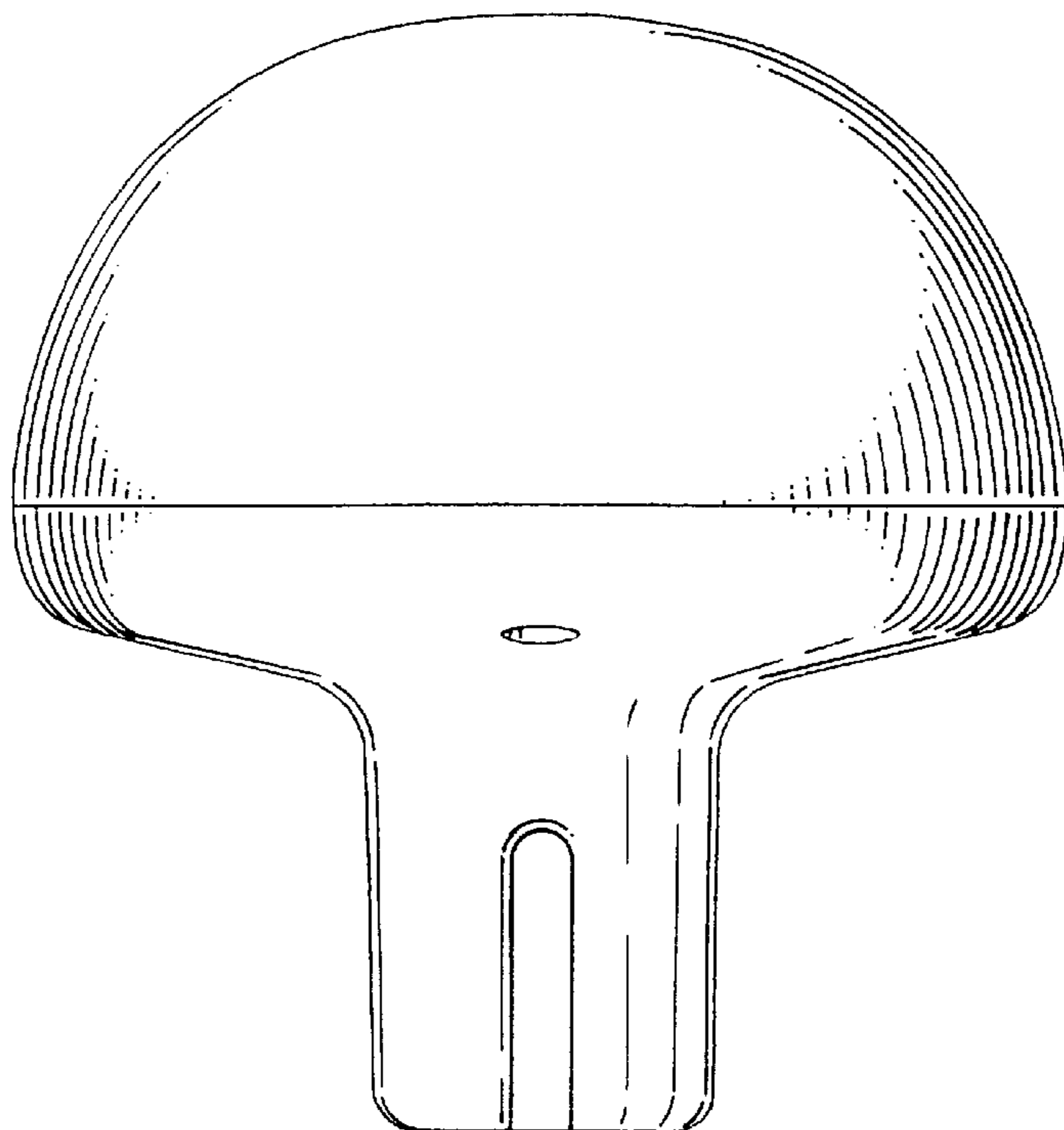


FIG. 4

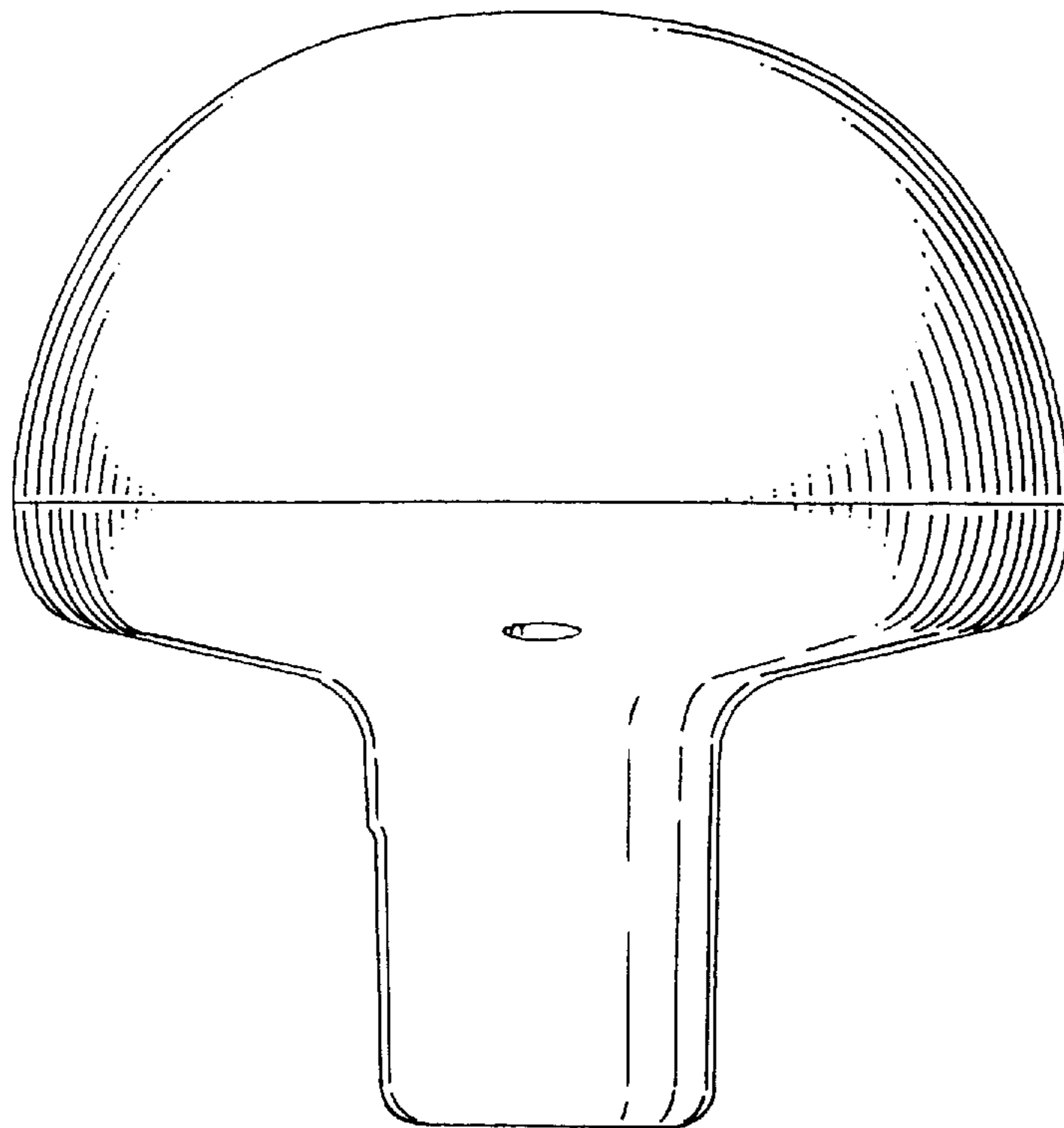


FIG. 5

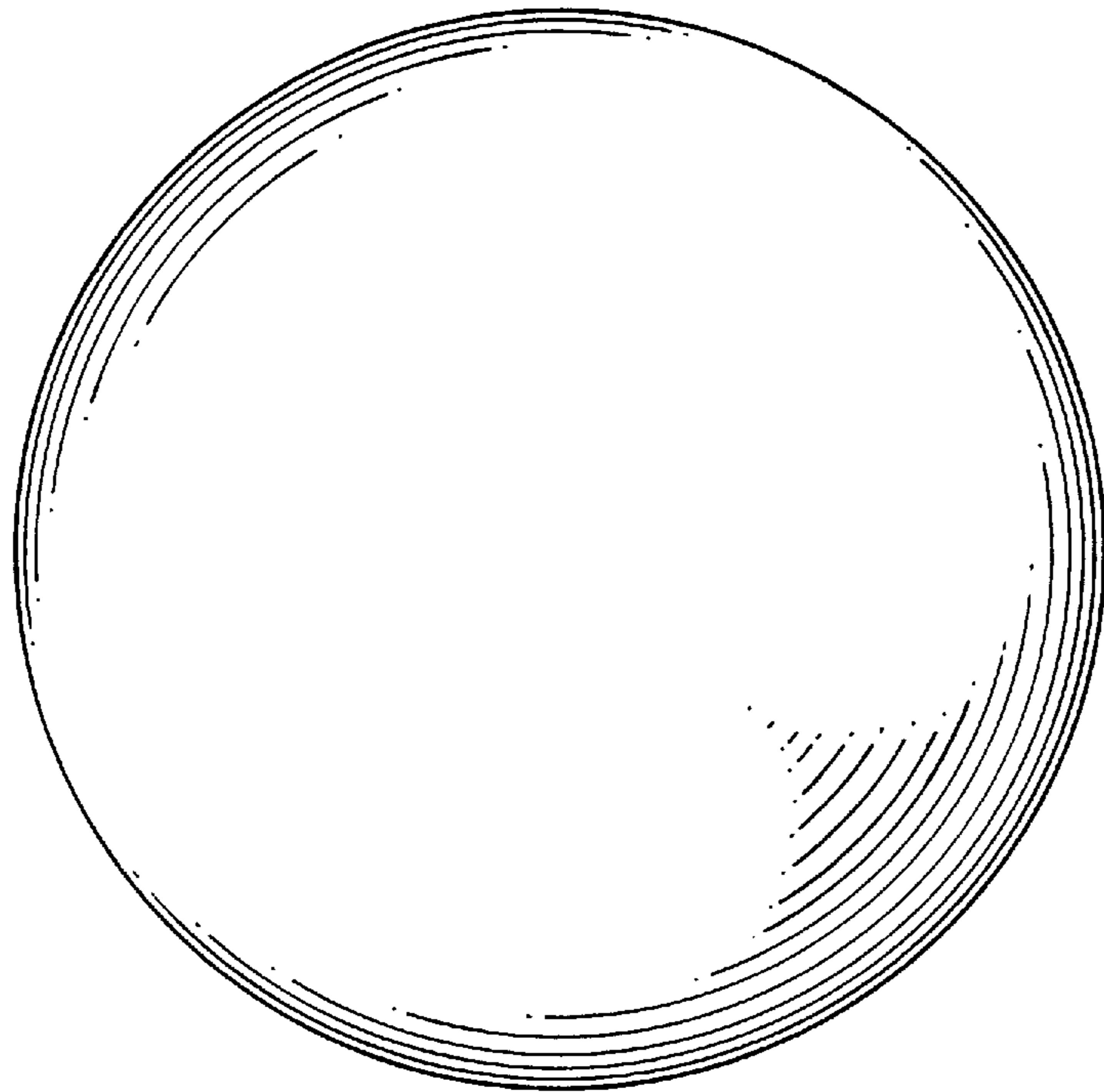


FIG. 6

