



US00D401592S

United States Patent [19]

Nishimura et al.

[11] Patent Number: **Des. 401,592**

[45] Date of Patent: ****Nov. 24, 1998**

[54] **ANTENNA RADOME**

[75] Inventors: **Shinichiro Nishimura; Hideyuki Tsutsui**, both of Tokyo; **Hiroyuki Kobayashi**, Yokohama; **Kazuyuki Oguri**, Higashikurume, all of Japan

[73] Assignee: **Japan Radio Co., Ltd.**, Tokyo, Japan

[**] Term: **14 Years**

[21] Appl. No.: **68,016**

[22] Filed: **Mar. 14, 1997**

[30] **Foreign Application Priority Data**

Sep. 25, 1996 [JP] Japan 8-28516

[51] **LOC (6) Cl.** **14-03**

[52] **U.S. Cl.** **D14/230**

[58] **Field of Search** D14/230-238, D14/204, 299; 343/781 R, 824-825, 872-873, 878, 888-890, 907-908, 912, DIG. 2, 713, 715, 709, 710, 725

[56] **References Cited**

U.S. PATENT DOCUMENTS

D. 320,990 10/1991 Scott et al. D14/230

D. 327,690 7/1992 Ogawa et al. D14/230

D. 338,206 8/1993 Sawaguchi et al. D14/230
D. 347,436 5/1994 Tang D14/230
D. 385,564 10/1997 Serksnis et al. D14/230
D. 387,771 12/1997 Martinson et al. D14/230
5,111,212 5/1992 DeSatnick et al. 343/709

Primary Examiner—Ruth McInroy
Attorney, Agent, or Firm—Frishauf, Holtz, Goodman, Langer & Chick

[57] **CLAIM**

The ornamental design for antenna radome, as shown and described.

DESCRIPTION

FIG. 1 is a perspective view of antenna radome, showing our new design;
FIG. 2 is a front view thereof;
FIG. 3 is a right side view thereof, the left side view being a mirror image thereof;
FIG. 4 is a rear view thereof;
FIG. 5 is a top plan view thereof;
FIG. 6 is a bottom plan view thereof;
FIG. 7 is a cross-sectional view taken on line 7—7 of FIG. 2; and,
FIG. 8 is a cross-sectional view taken on line 8—8 of FIG. 3.

1 Claim, 5 Drawing Sheets

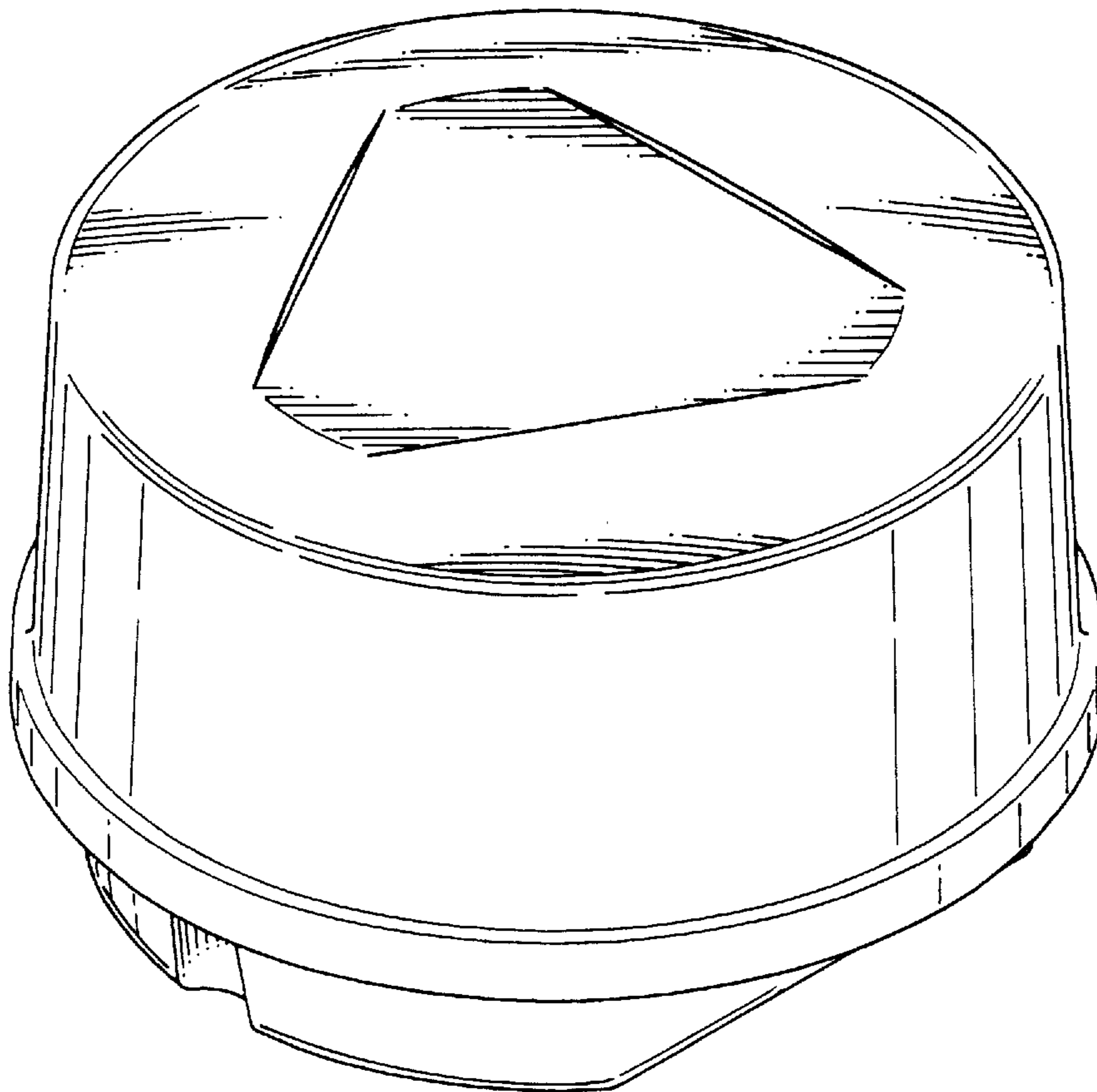


FIG. 1

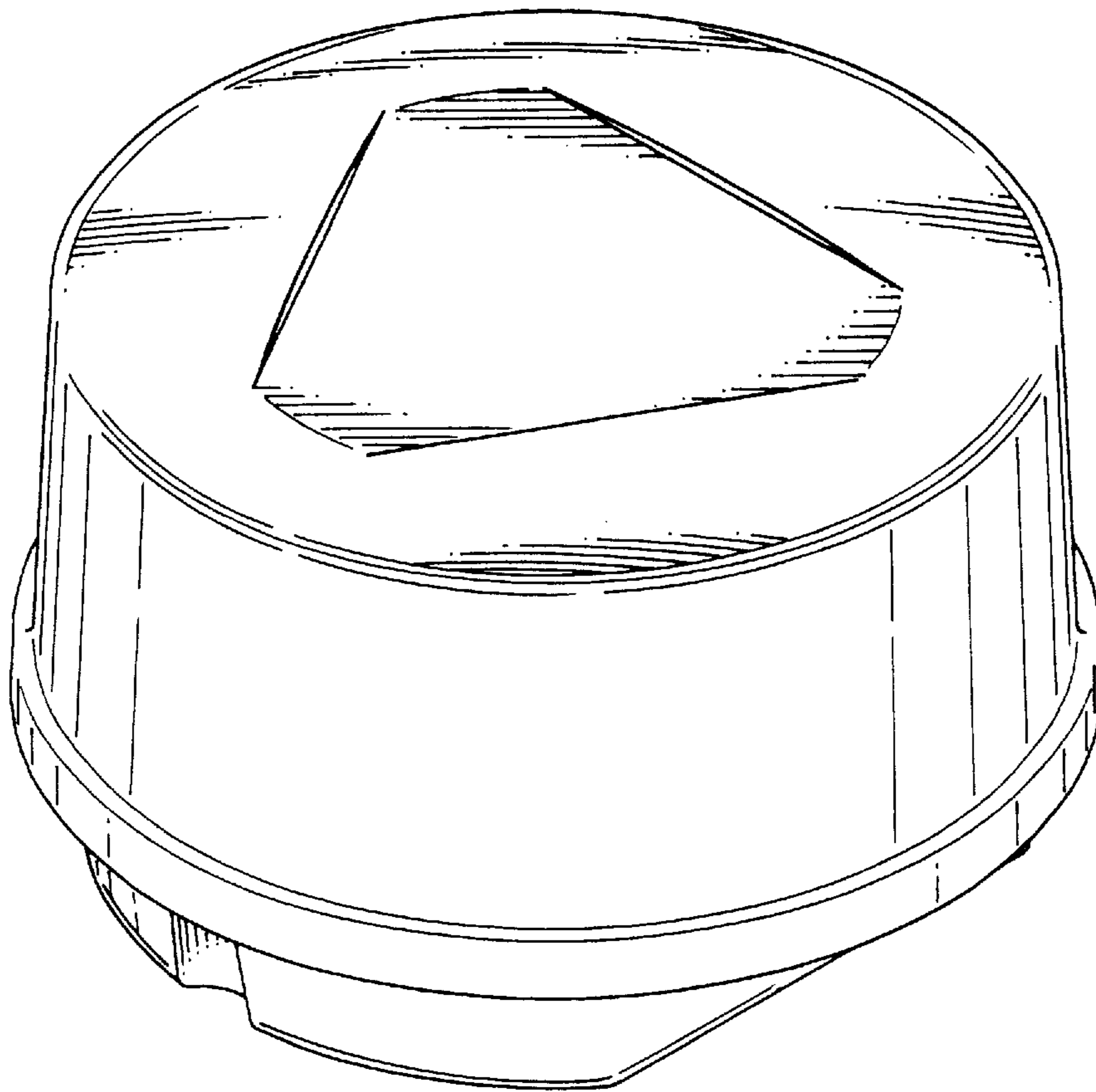


FIG. 2

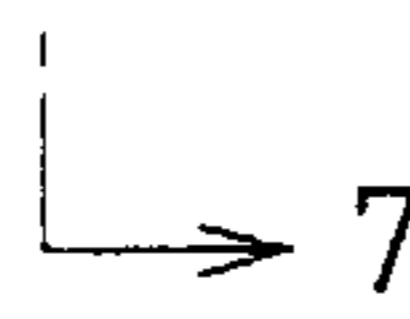
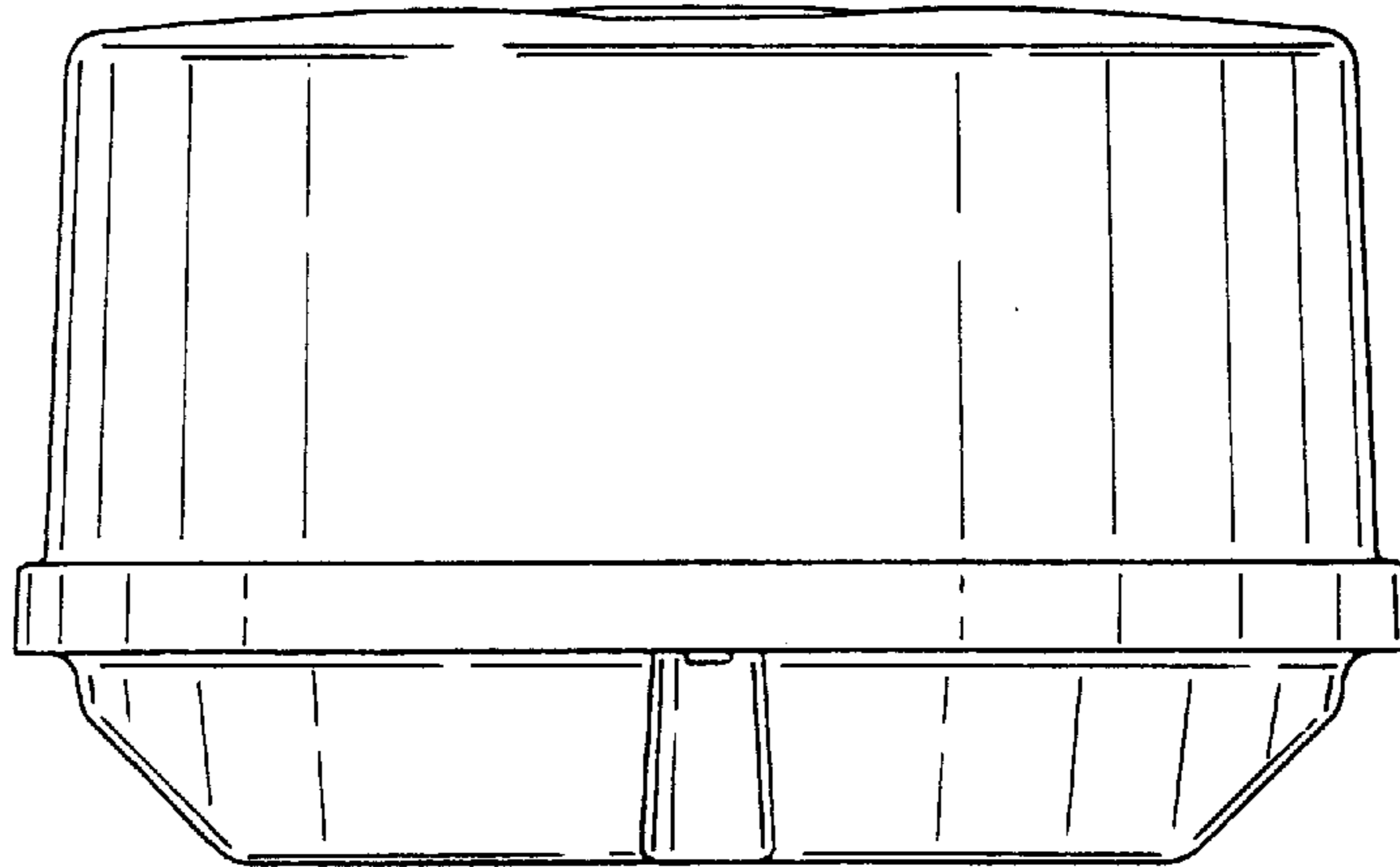
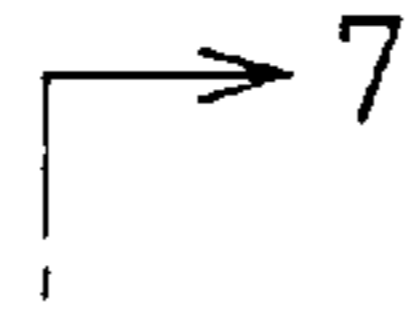


FIG. 3

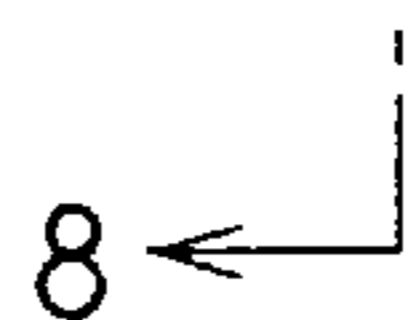
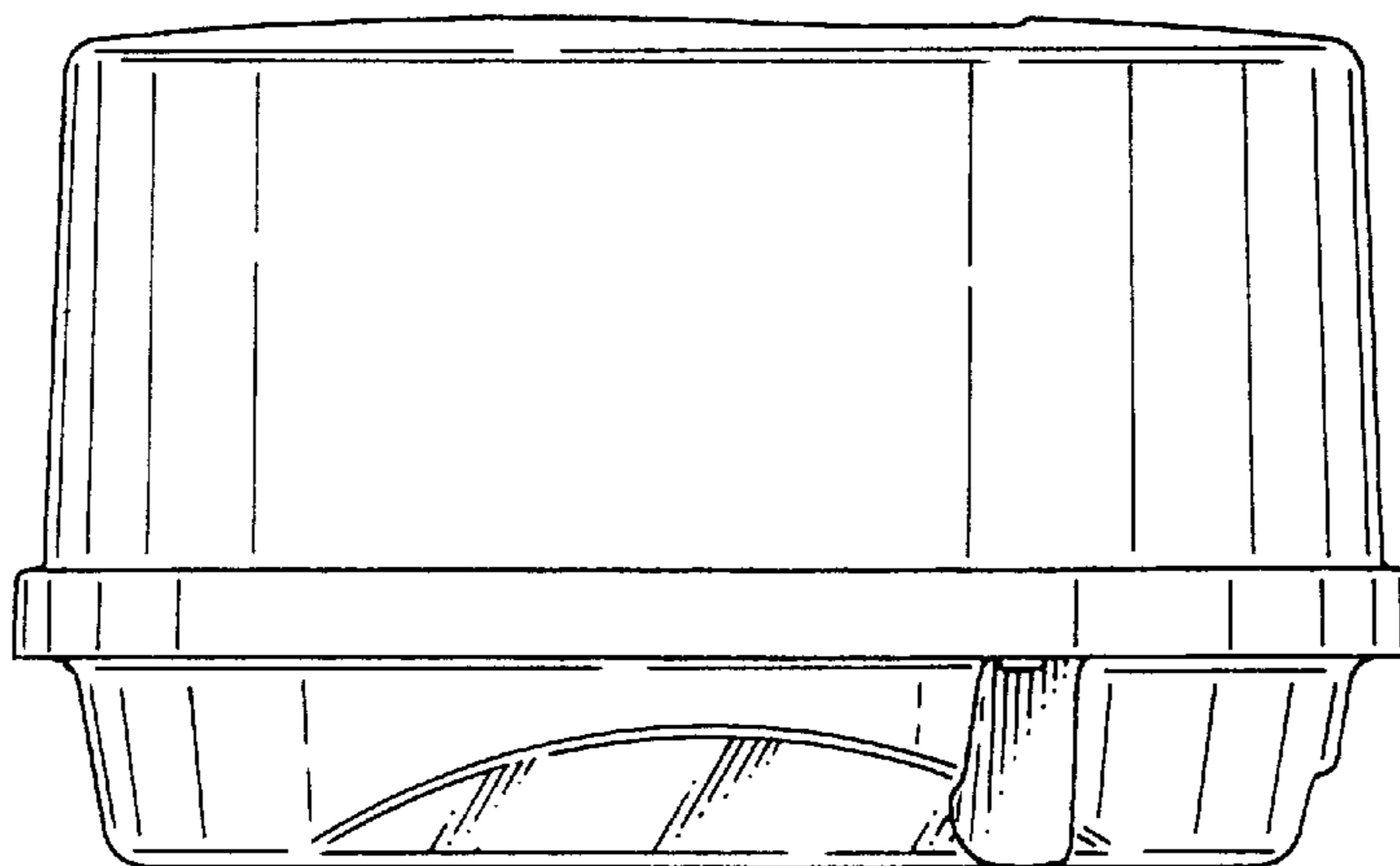
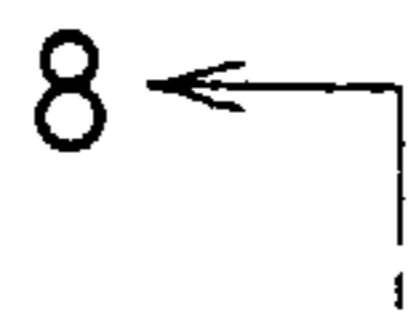


FIG. 4

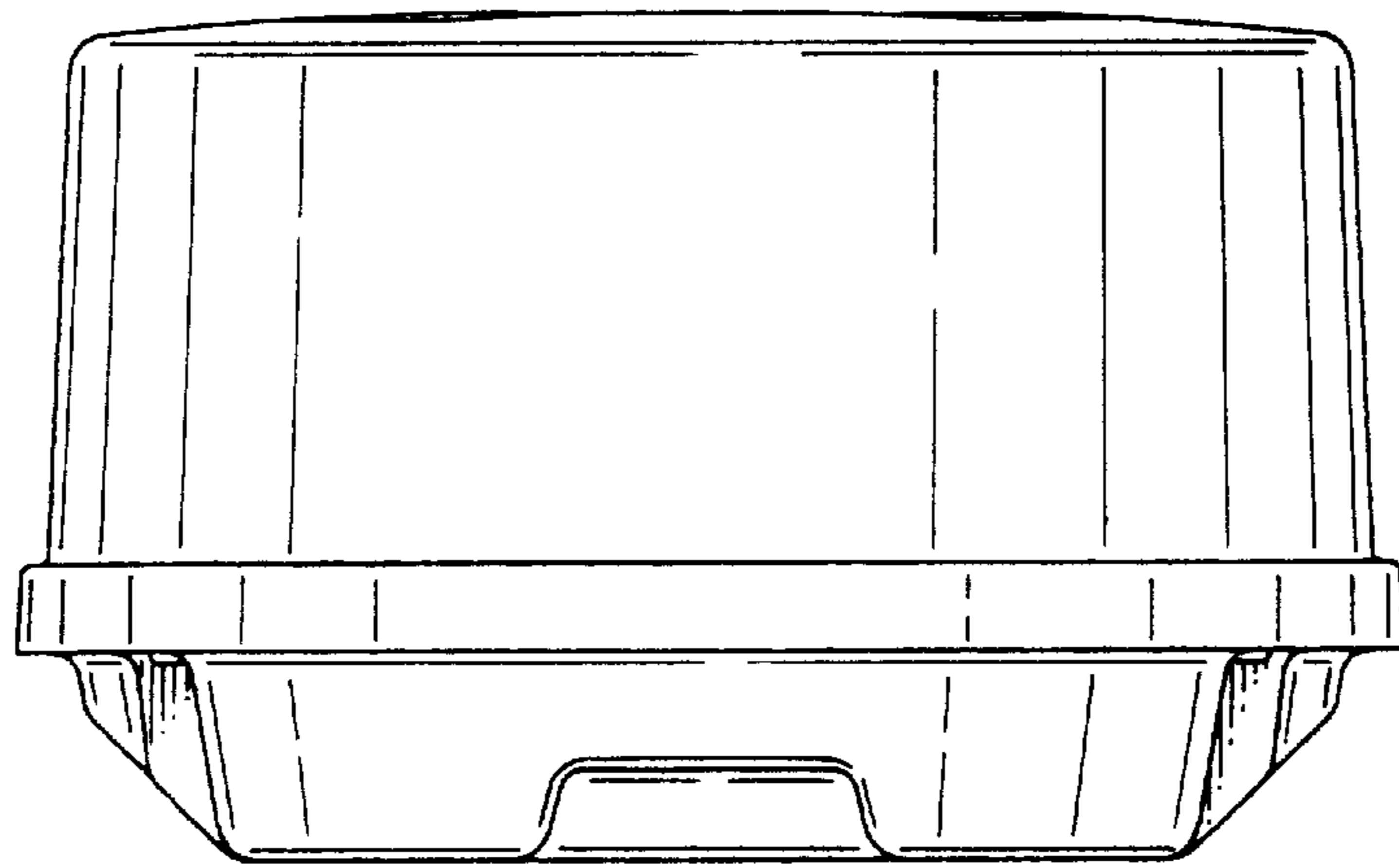


FIG. 5

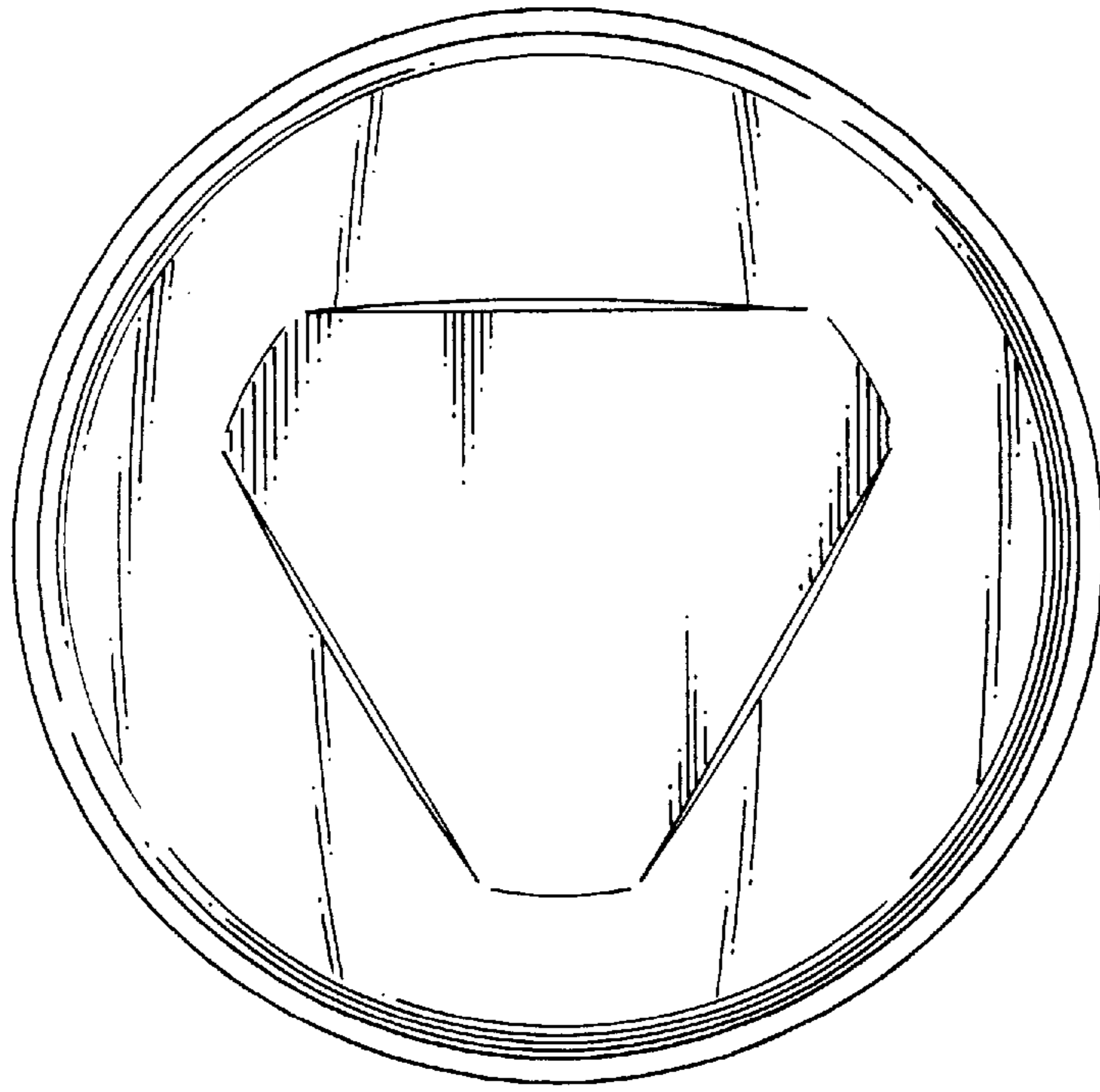


FIG. 6

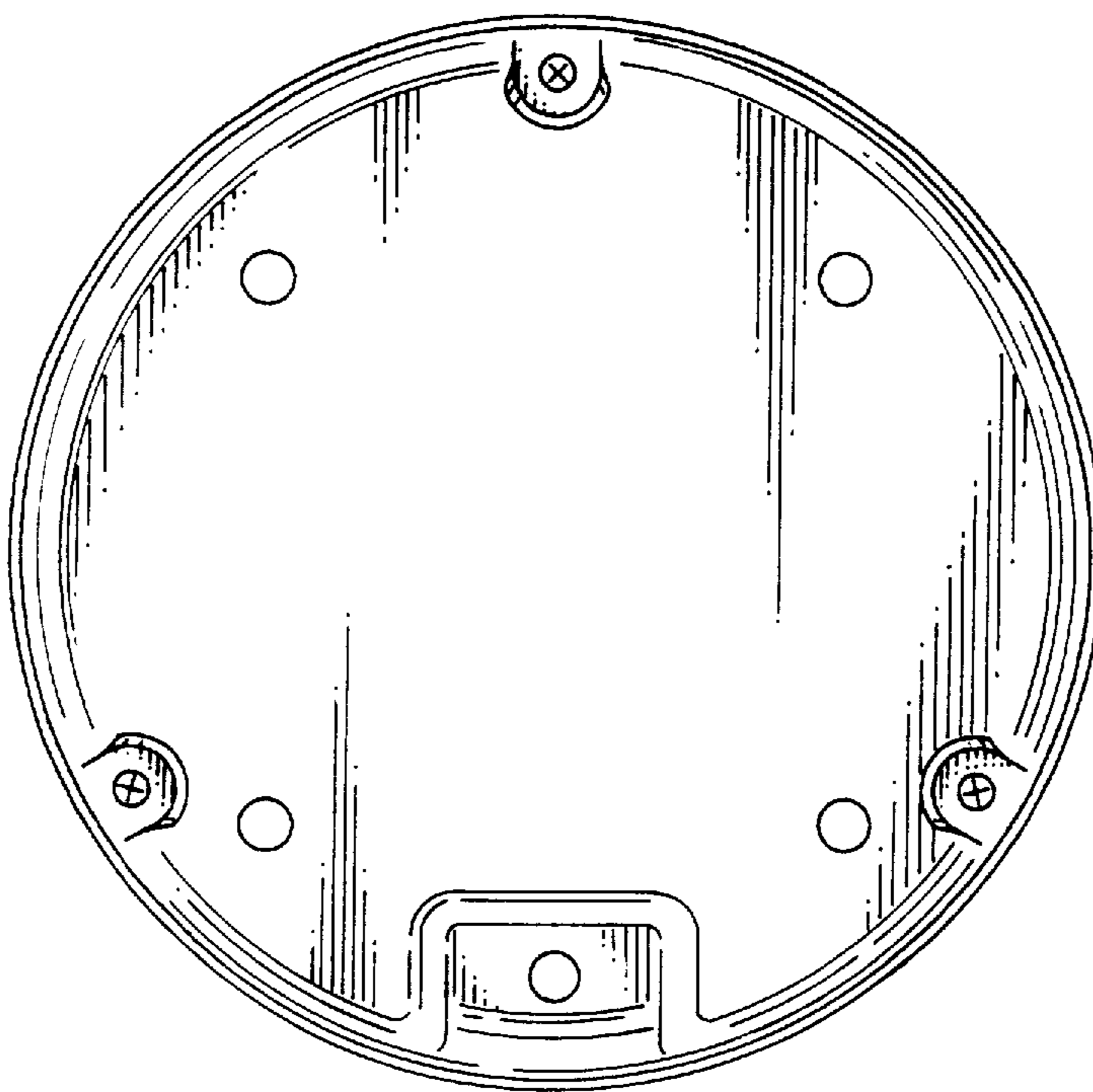


FIG. 7

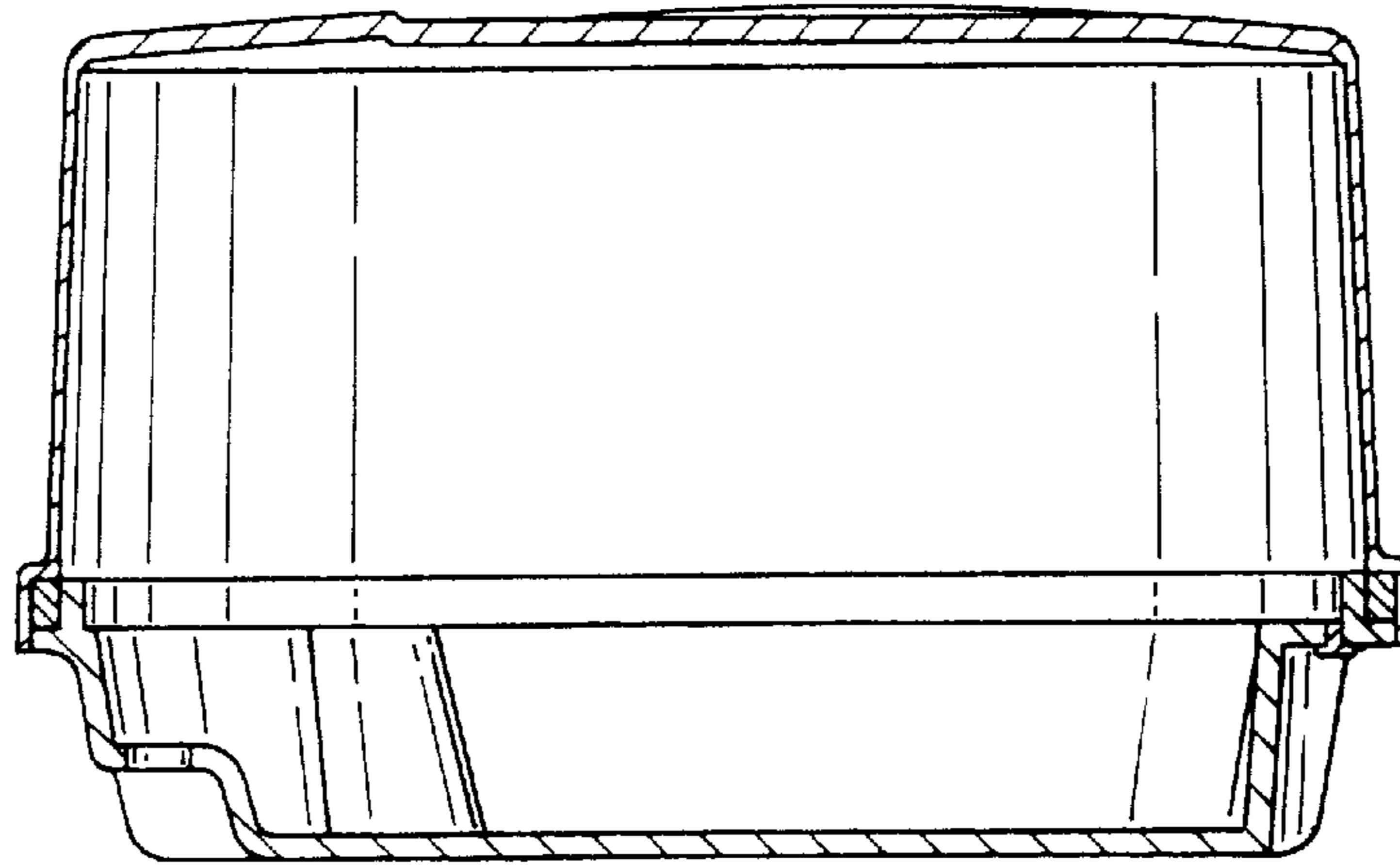


FIG. 8

