



US00D401591S

United States Patent [19]

Jones, Jr. et al.

[11] Patent Number: Des. 401,591

[45] Date of Patent: **Nov. 24, 1998

[54] AUTOSOUND INSTALLATION MOUNTING DEVICE

[75] Inventors: William H. Jones, Jr., Ormond Beach; R. Spencer Quilling, II, Glenwood, both of Fla.

[73] Assignee: Metra Electronics Corporation, Holly Hill, Fla.

[**] Term: 14 Years

[21] Appl. No.: 64,737

[22] Filed: Jan. 9, 1997

[51] LOC (6) Cl. 14-01

[52] U.S. Cl. D14/224

[58] Field of Search D14/204, 224, D14/229; D12/400, 415, 423; 248/27.5, 682, 686

[56] References Cited

U.S. PATENT DOCUMENTS

D. 180,746	8/1957	Oslac	D14/224
D. 260,628	9/1981	McKeel	D12/415
D. 281,871	12/1985	Heiman	D14/224 X
D. 319,239	8/1991	Kovner	D14/224 X
4,624,433	11/1986	Henneberg	248/682 X

OTHER PUBLICATIONS

Metra, 1995 Autosound Installation Systems Catalog, Jan., 1995, pp. 30-62.
Crutchfield, Special Gift Supplement to the Fall 1996/ Winter 1997 Catalog, 1996-1997, Cover page and p. 30.

Primary Examiner—Ted Shooman
Assistant Examiner—Nanda Bondade
Attorney, Agent, or Firm—Fitzpatrick, Cella, Harper & Scinto

[57] CLAIM

We claim the ornamental design for an autosound installation mounting device, as shown and described.

DESCRIPTION

FIG. 1 is a right, front perspective view of an autosound installation mounting device showing our new design;

FIG. 2 is a front elevation view of FIG. 1;

FIG. 3 is a top plan view of FIG. 1;

FIG. 4 is a right side elevation view of FIG. 1, the left side being a mirror image thereof;

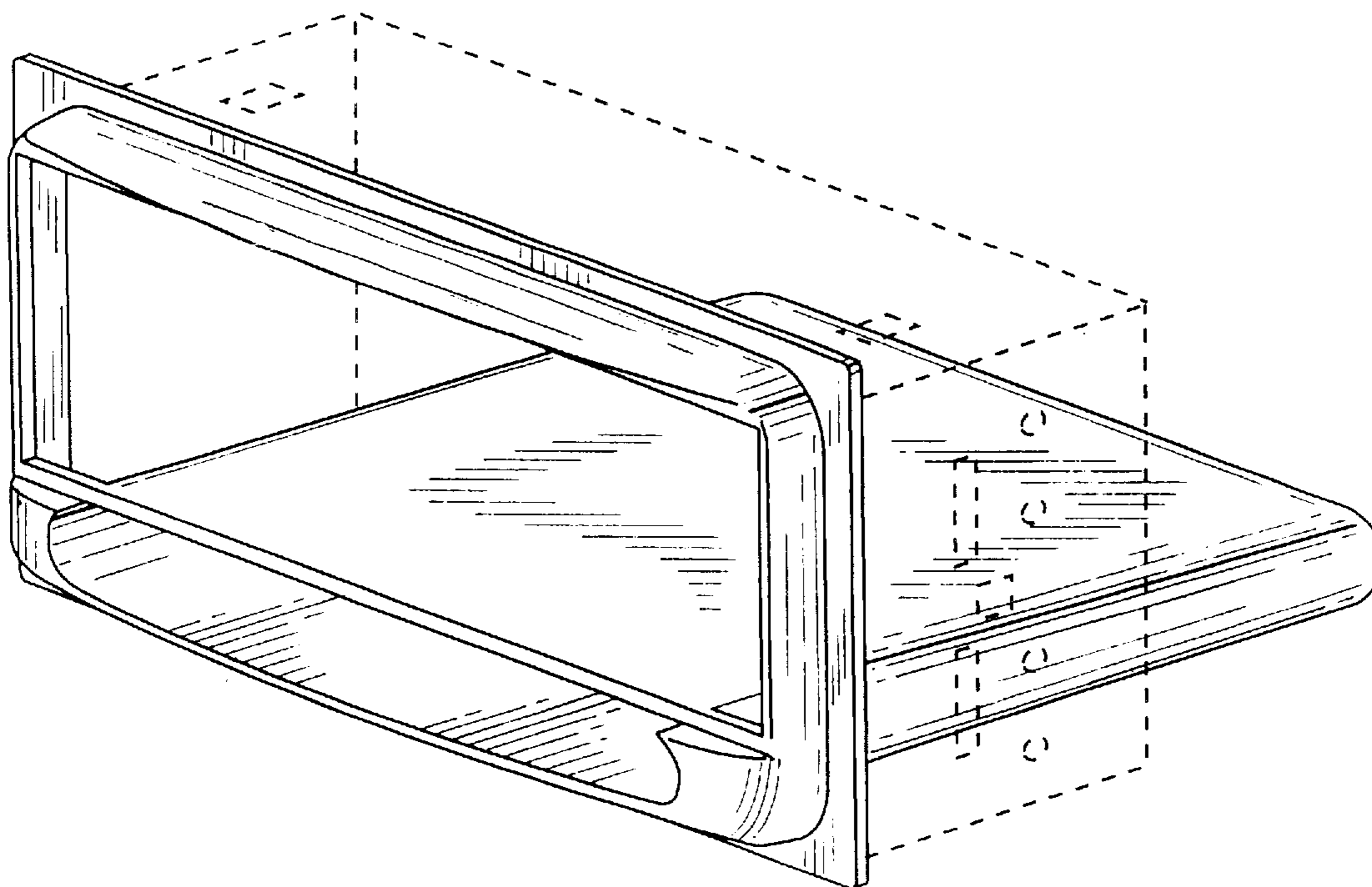
FIG. 5 is a right side elevation in cross-section, along line 5-5 of FIG. 2, to better illustrate certain features of the disclosed design;

FIG. 6 is a bottom plan view of FIG. 1; and,

FIG. 7 is an rear elevation view of FIG. 1.

The broken line showing of a vehicle dashboard mounting structure on FIGS. 1 and 3-7 is for illustrative purposes only and forms no part of the claimed design.

1 Claim, 3 Drawing Sheets



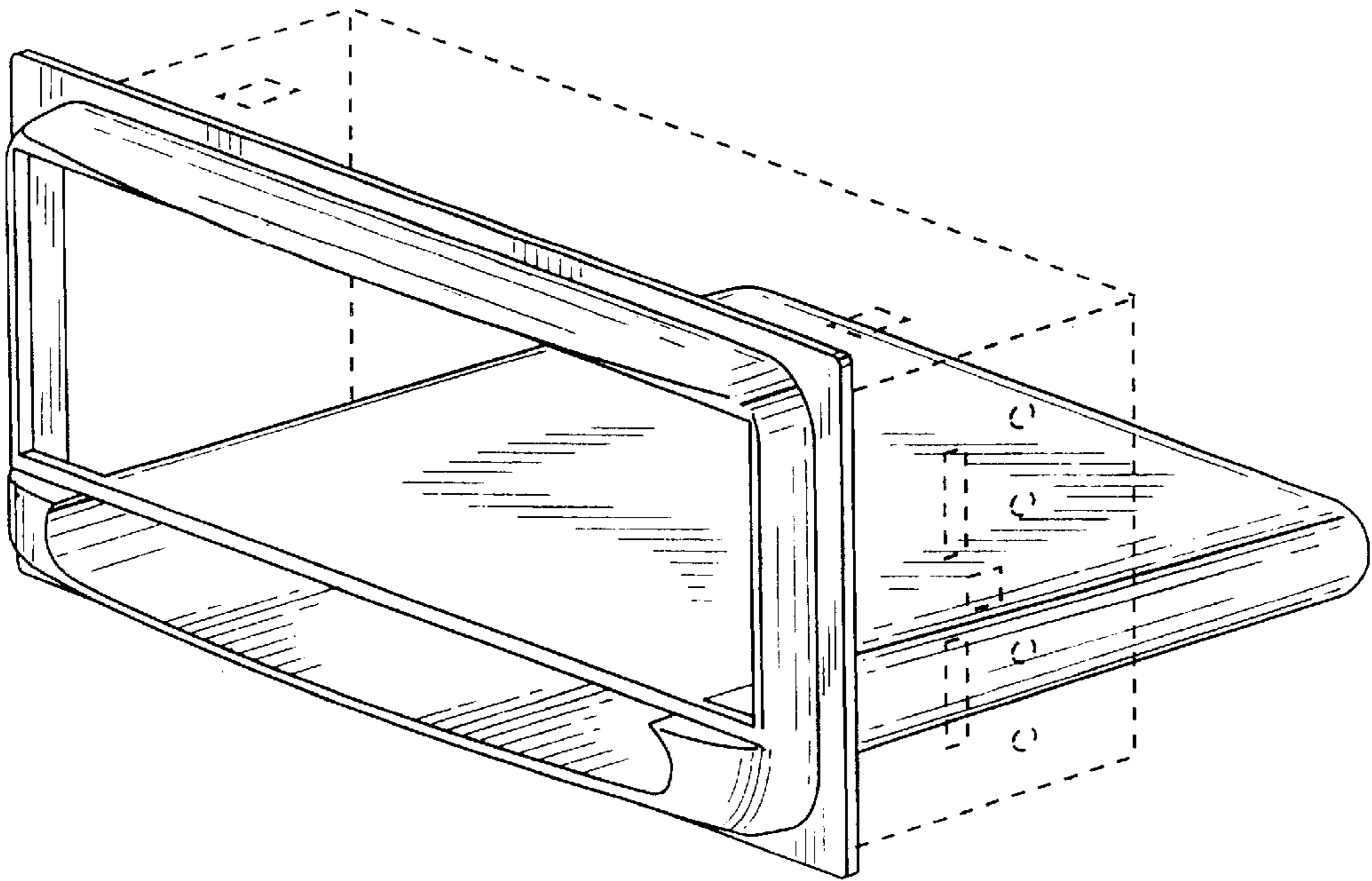


FIG. 1

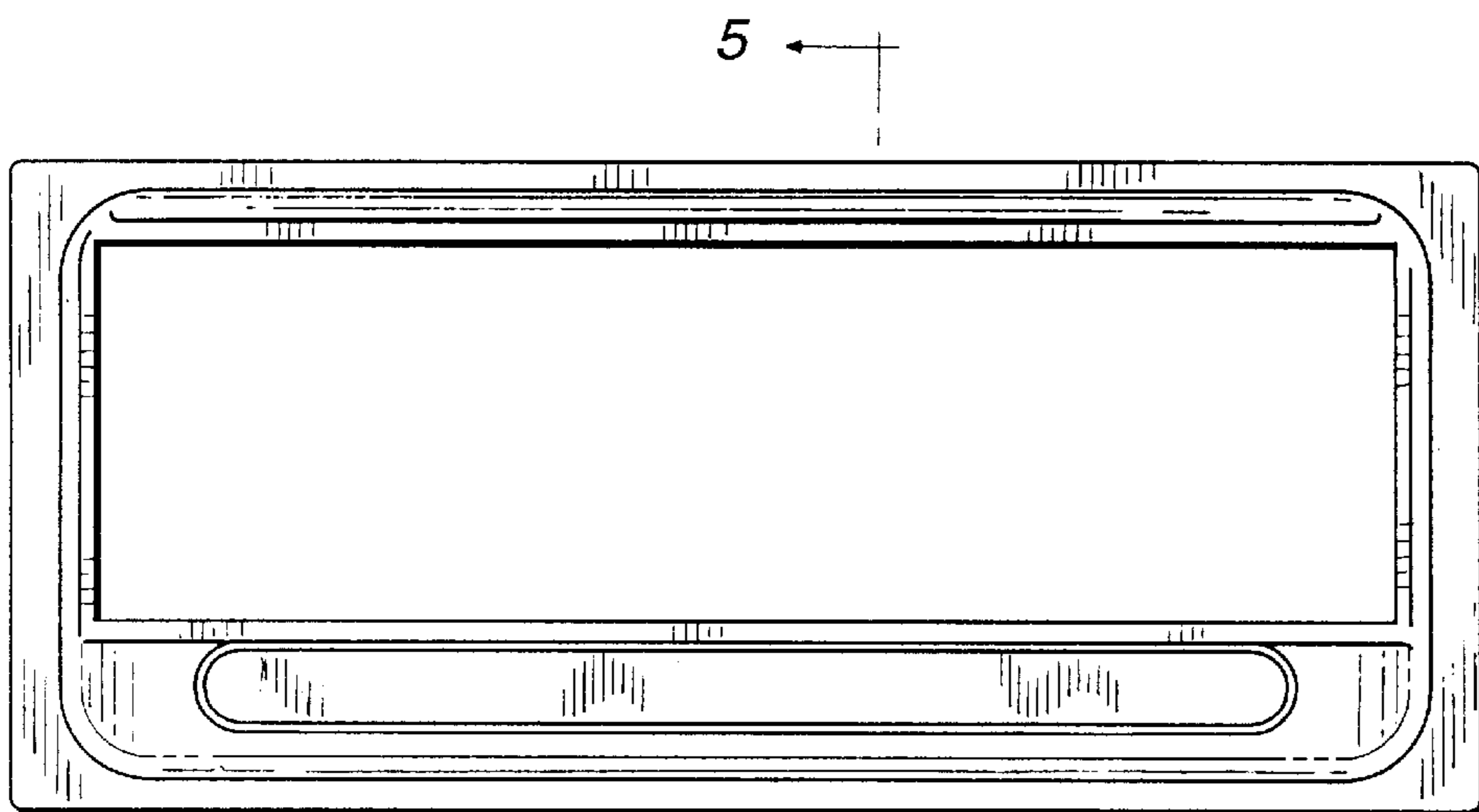


FIG. 2

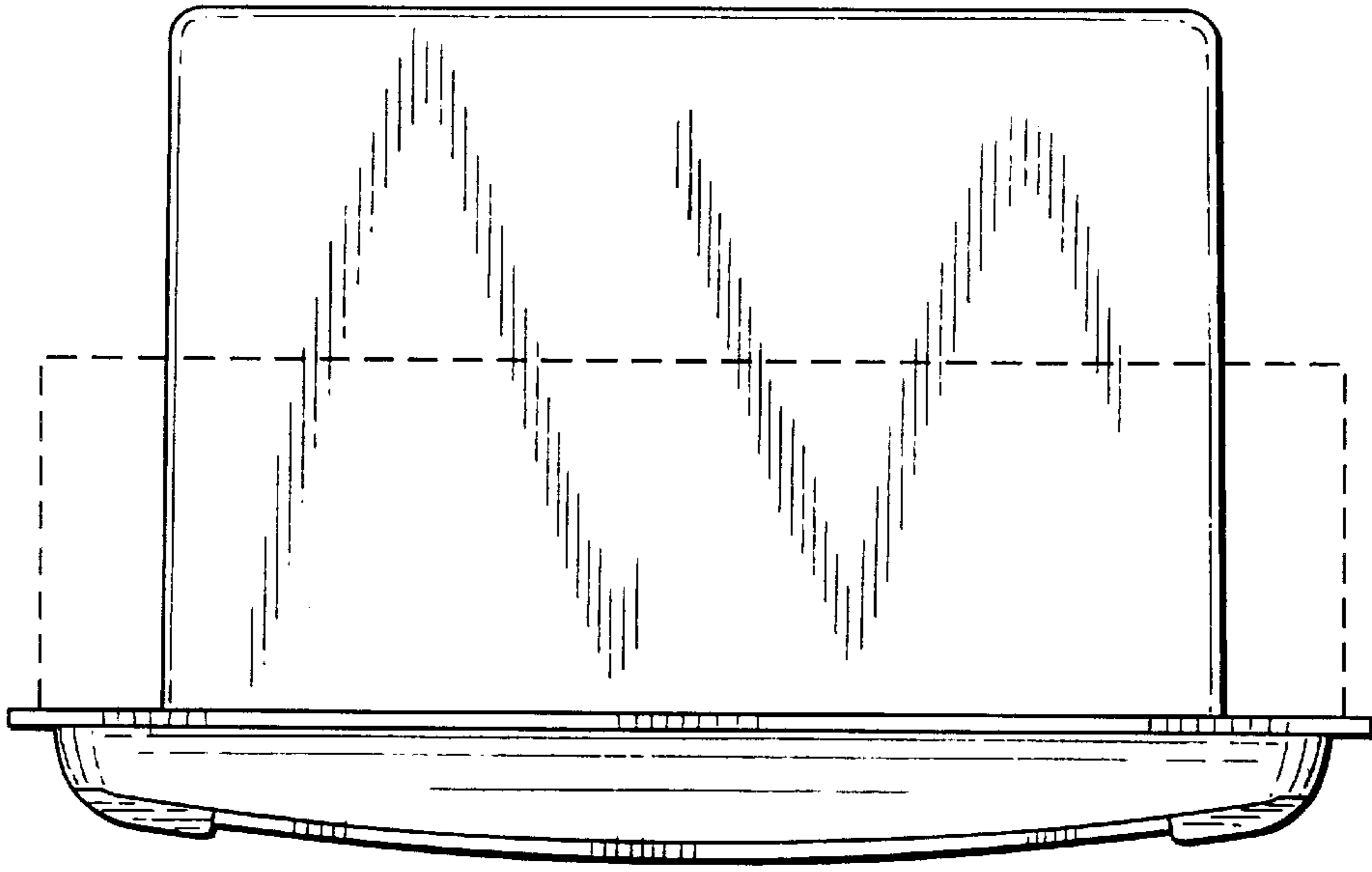


FIG. 3

FIG. 4

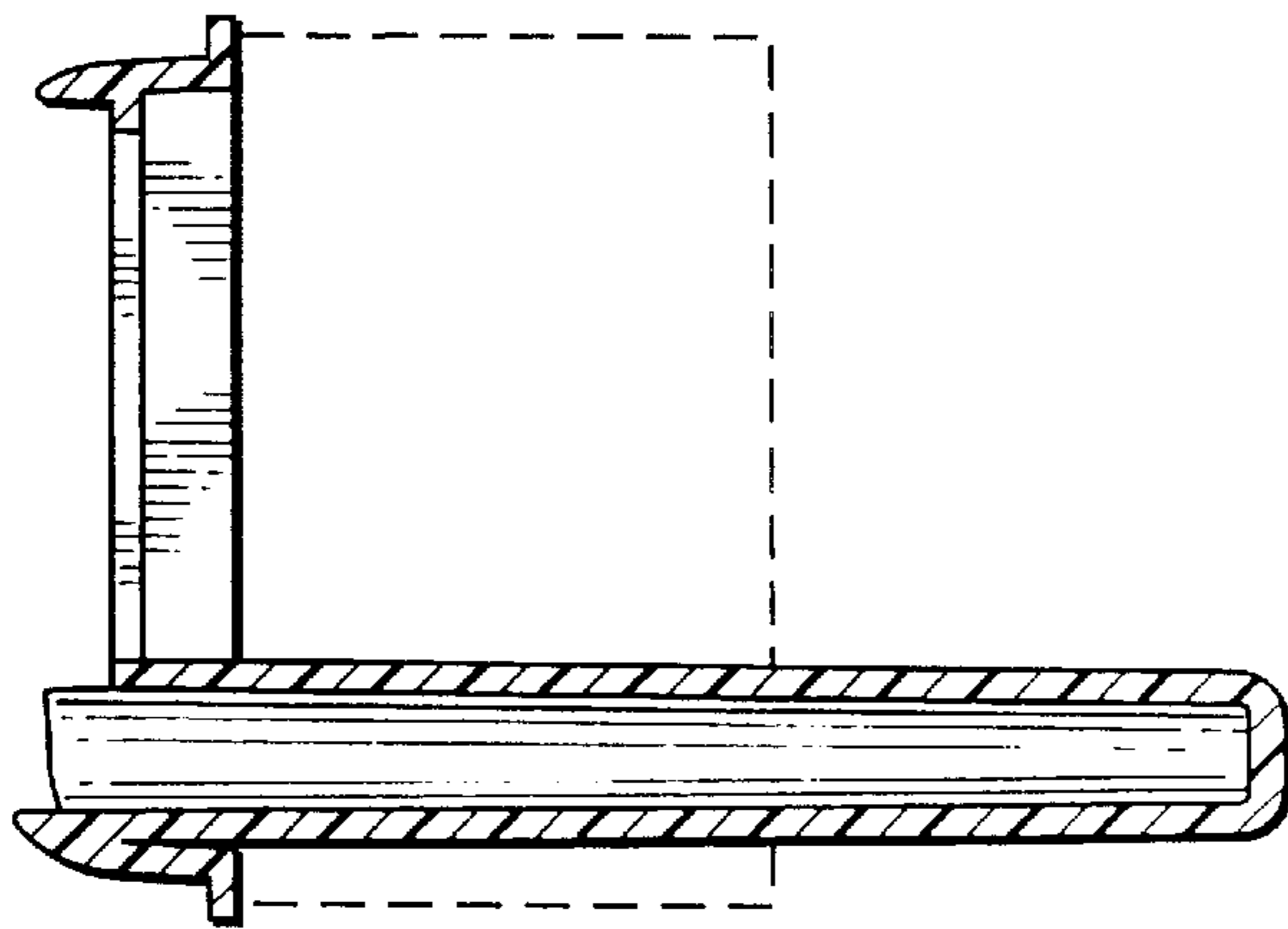
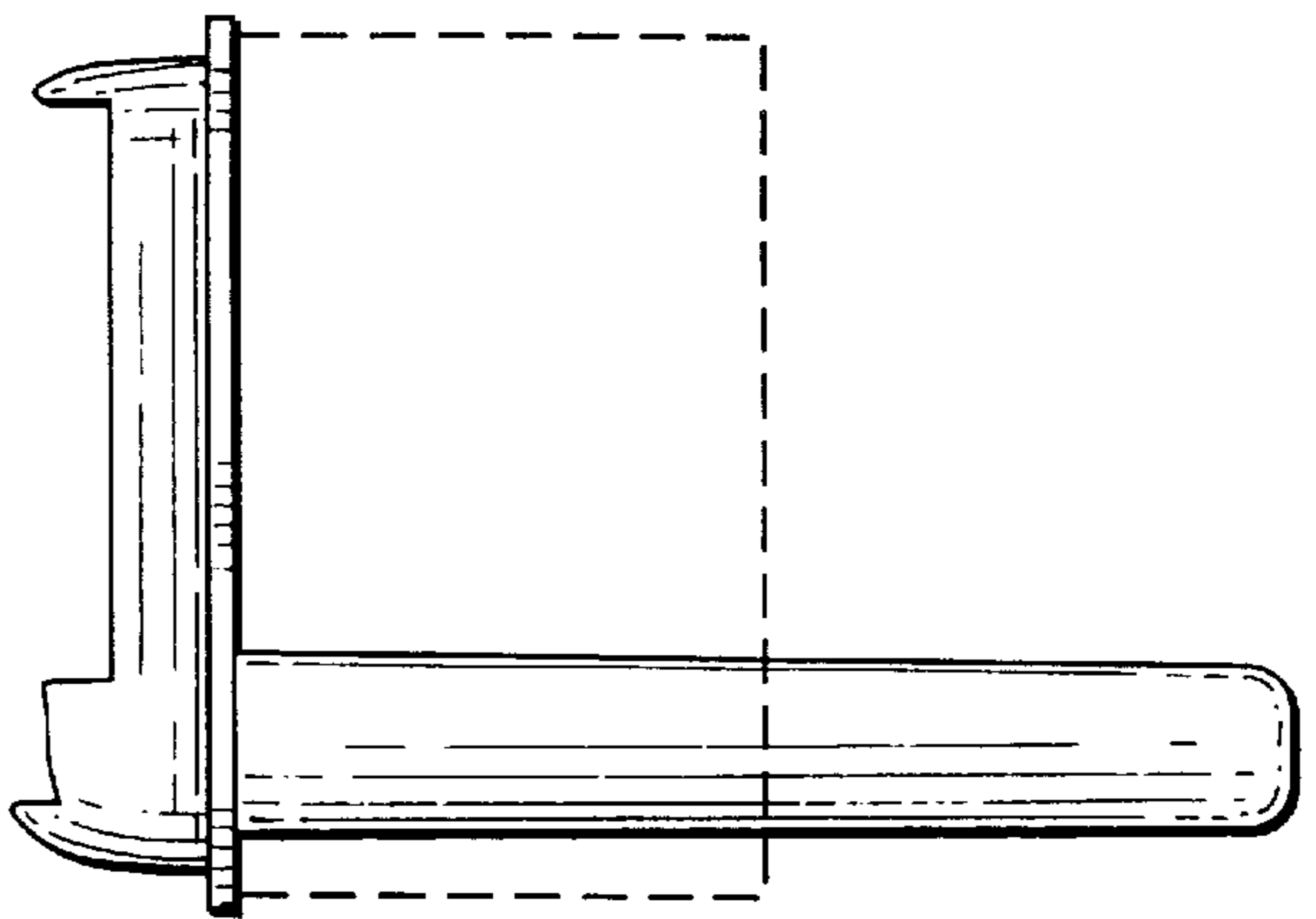


FIG. 5

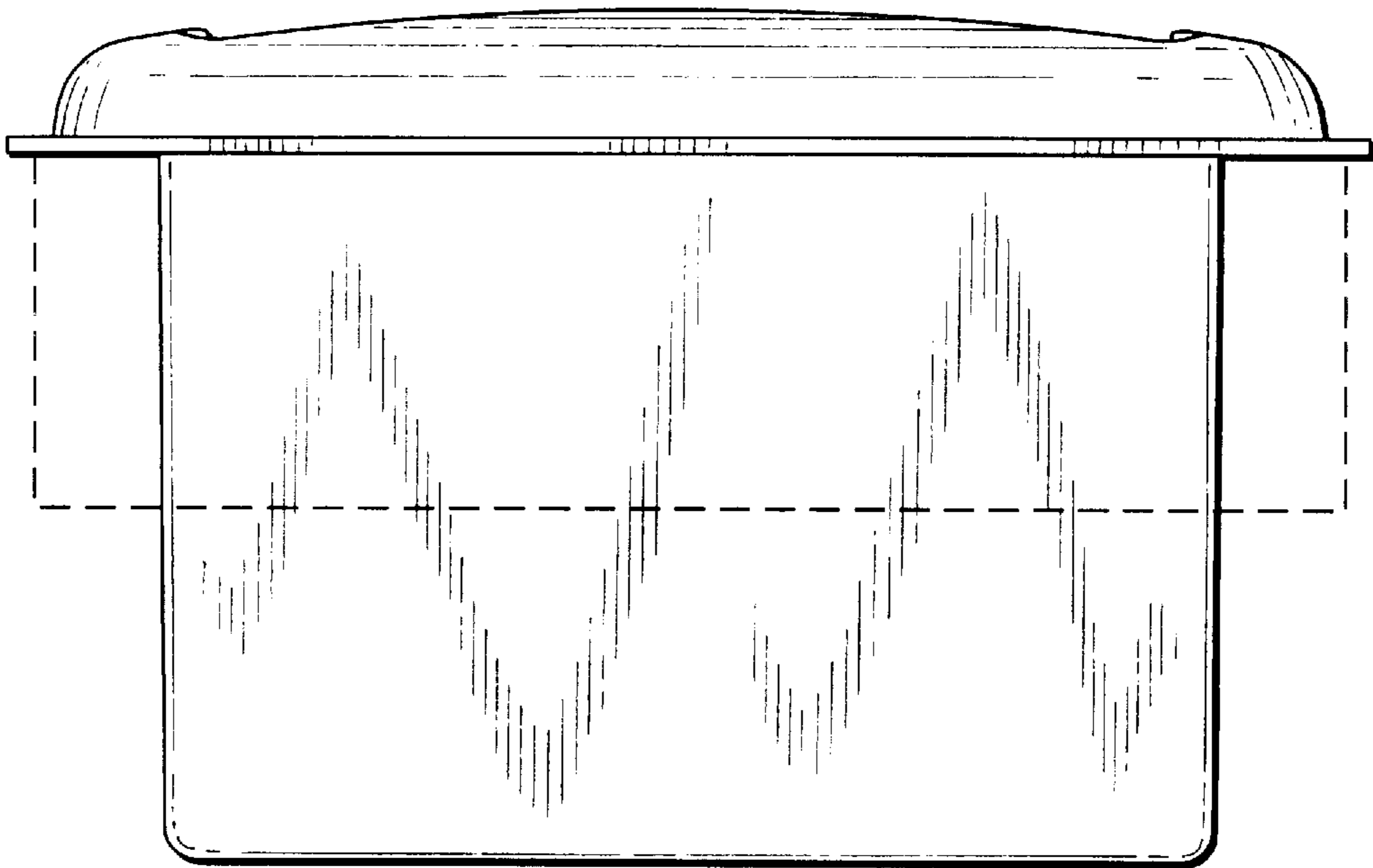


FIG. 6

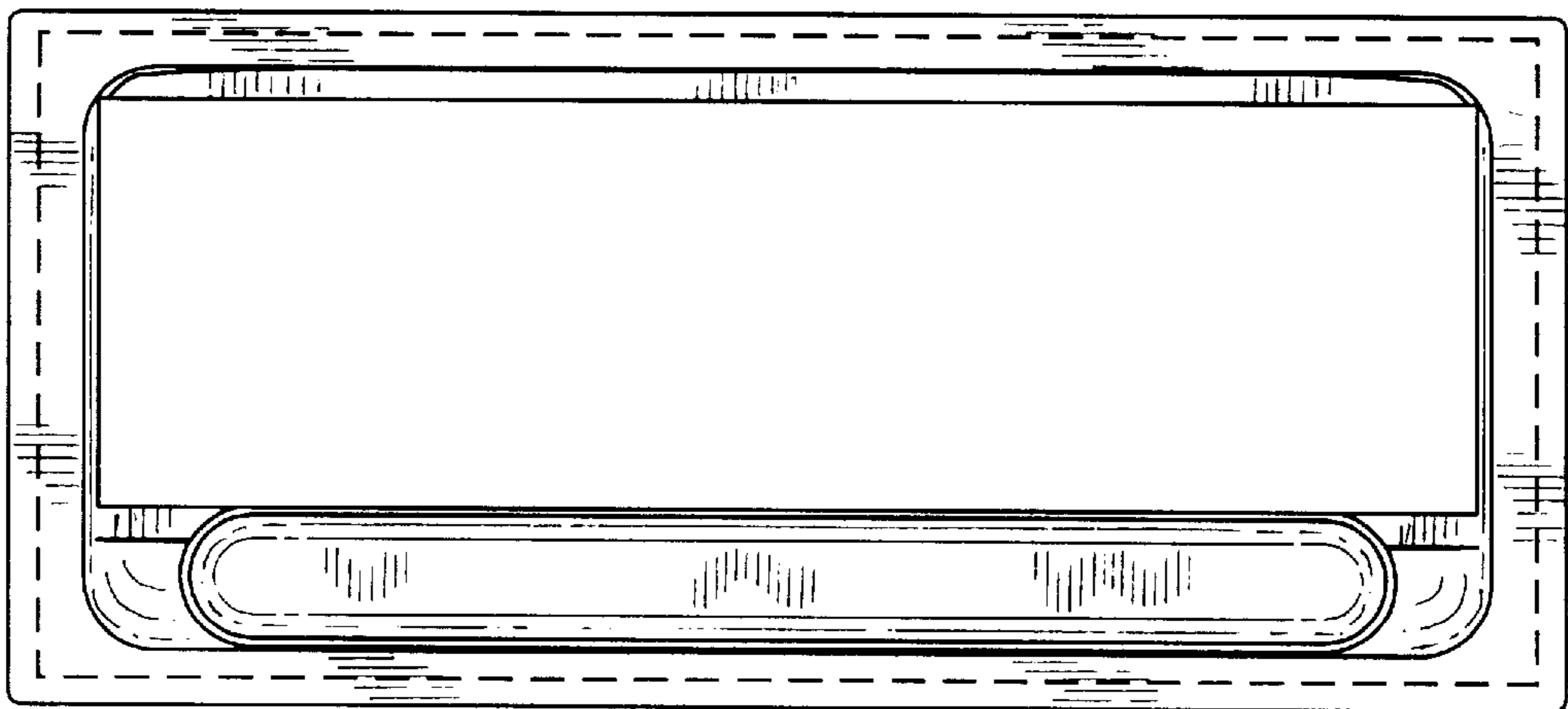


FIG. 7