



US00D401590S

United States Patent [19]

Tajima et al.

[11] Patent Number: **Des. 401,590**

[45] Date of Patent: ****Nov. 24, 1998**

[54] **ELECTROACOUSTIC TRANSDUCER**

5,392,455 2/1995 Benoist et al. 381/188 X

[75] Inventors: **Kazushige Tajima; Yoshio Imahori,**
both of Shizuoka, Japan

FOREIGN PATENT DOCUMENTS

948056 2/1996 Japan .

[73] Assignee: **Star Micronics Co., Ltd.,** Shizuoka,
Japan

Primary Examiner—Ted Shooman
Assistant Examiner—Nanda Bondade
Attorney, Agent, or Firm—Sughrue, Mion, Zinn, Macpeak
& Seas, PLLC

[**] Term: **14 Years**

[21] Appl. No.: **62,937**

[57] CLAIM

[22] Filed: **Dec. 5, 1996**

The ornamental design for an electroacoustic transducer, as shown and described.

[30] Foreign Application Priority Data

Jun. 5, 1996 [JP] Japan 8-16589

Jun. 5, 1996 [JP] Japan 8-16590

DESCRIPTION

[51] **LOC (6) Cl.** **14-01**

[52] **U.S. Cl.** **D14/222; D10/116**

[58] **Field of Search** D10/75, 104, 106,
D10/116-118, 121; D13/152, 156, 184,
199; D14/10, 107, 140, 222, 240; 324/156;
340/384.1, 384.3, 384.6, 384.7, 384.72,
388.1, 388.6, 390.1, 391.1, 392.1-392.5,
396.1, 407.1; 361/600, 679, 724, 829; 381/188-199;
367/175

FIG. 1 is a perspective view of the front, top and left side of an electroacoustic transducer showing our new design; FIG. 2 is a front elevational view thereof; FIG. 3 is a top plan view thereof; FIG. 4 is a left side elevational view thereof, the right side being a mirror image thereof; FIG. 5 is a bottom plan view thereof; FIG. 6 is a rear elevational view thereof; FIG. 7 is a perspective view of the front, top and left side of a second embodiment of FIG. 1; and, FIG. 8 is a front elevational view of FIG. 7.

[56] References Cited

U.S. PATENT DOCUMENTS

D. 251,085 2/1979 Fanshawe D14/222 X

D. 315,334 3/1991 Fujioka D13/156 X

The undisclosed right, bottom and rear views of the second embodiment are identical to the corresponding views of the first embodiment.

1 Claim, 4 Drawing Sheets

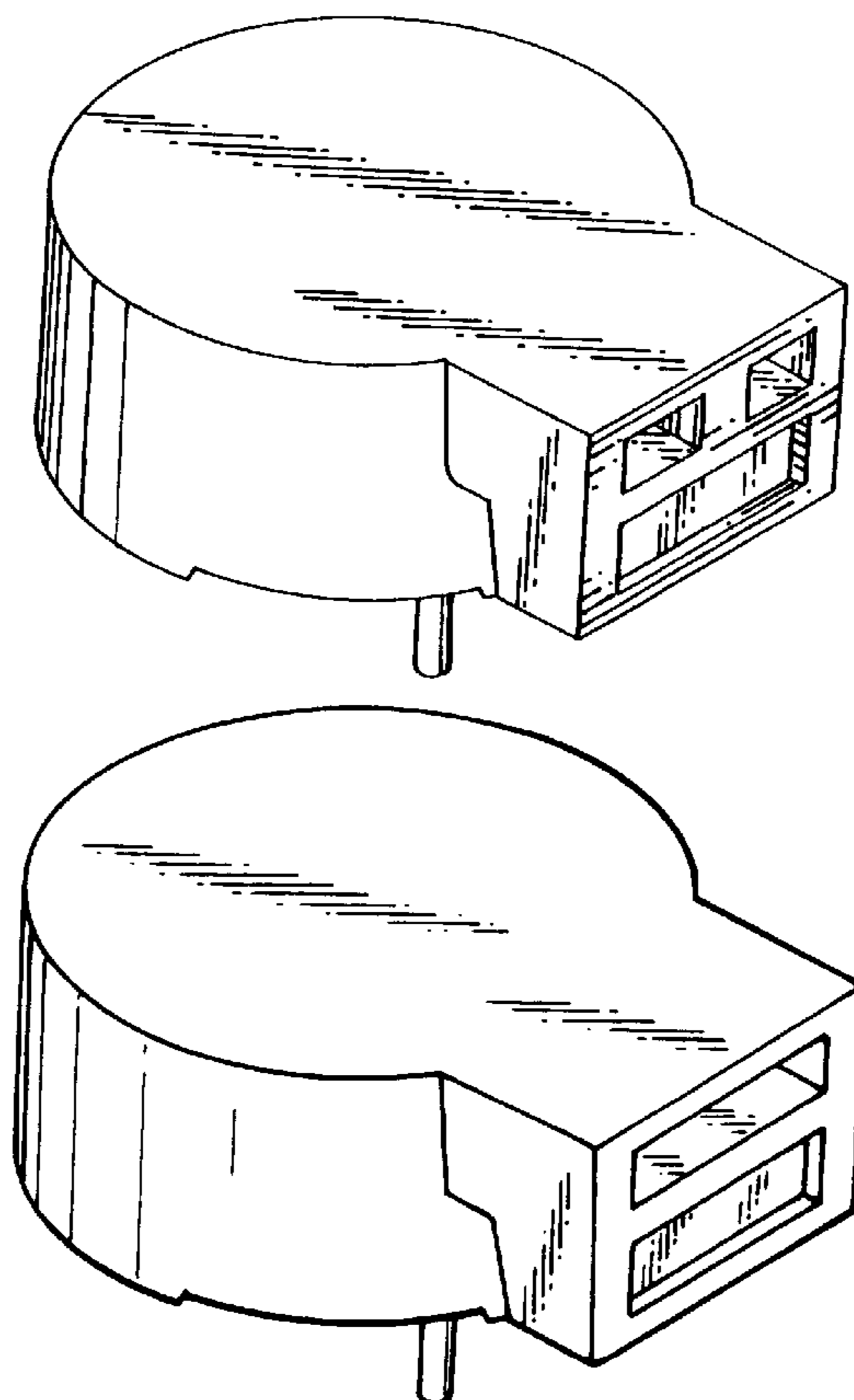


FIG.1

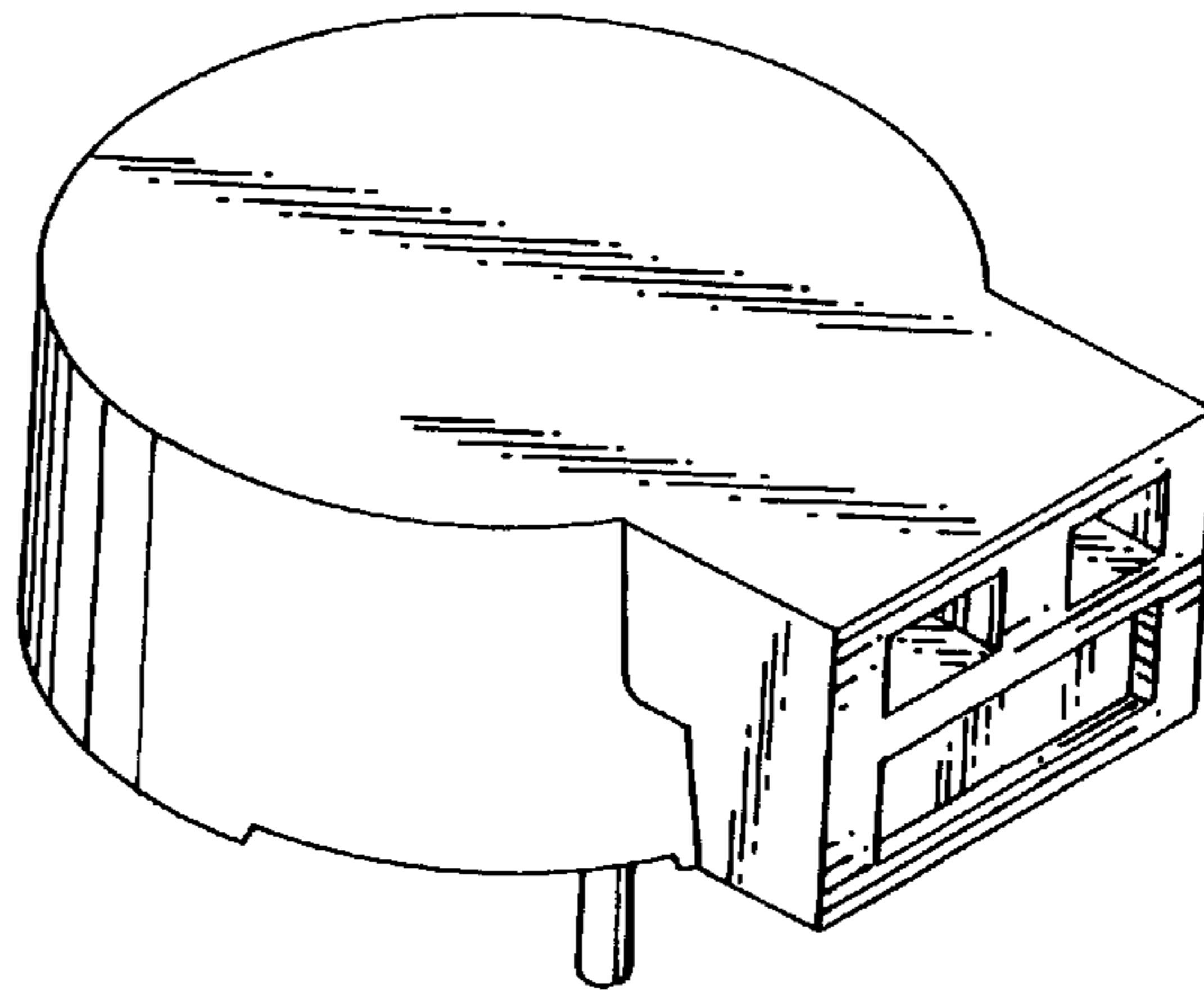


FIG.2

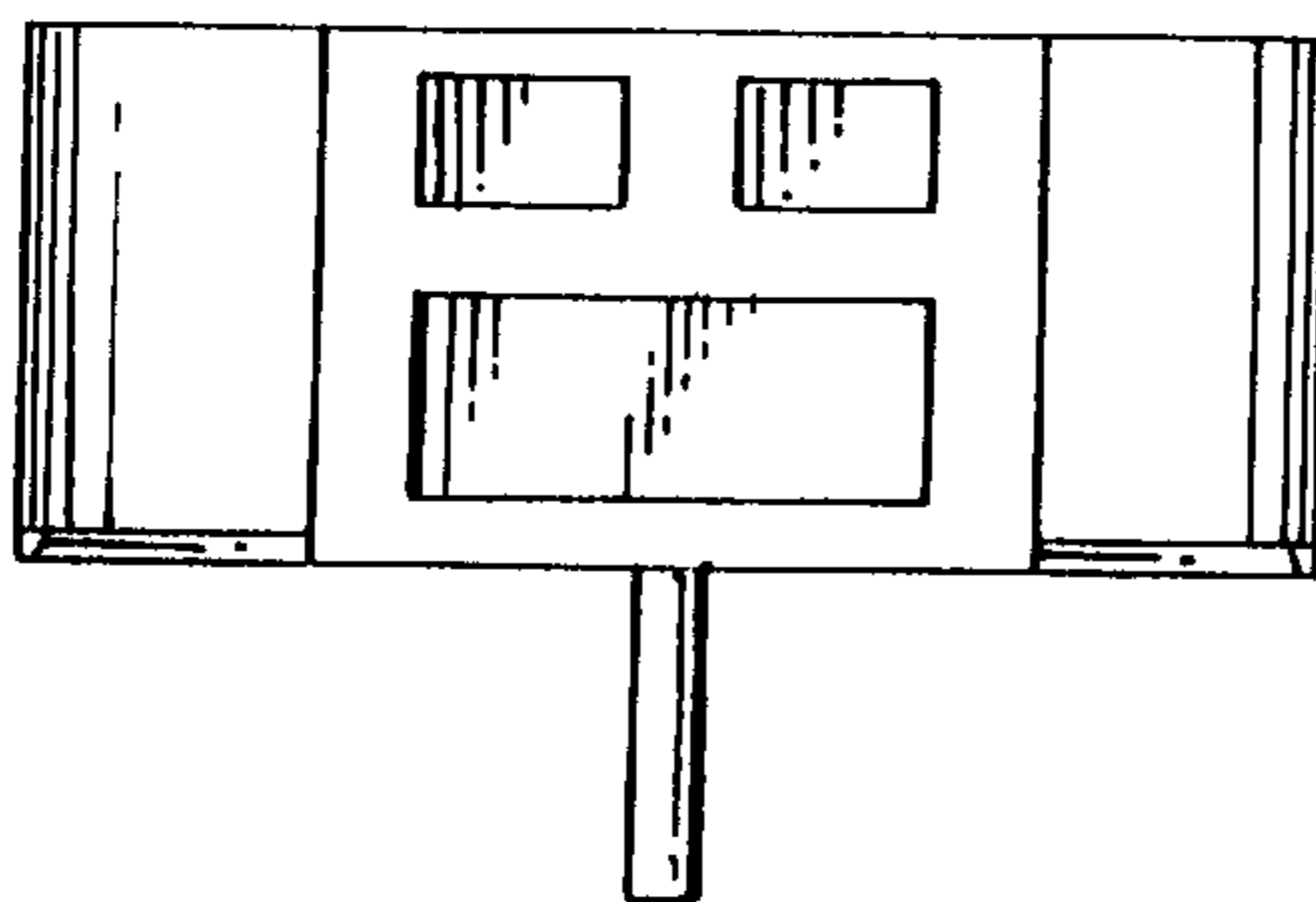


FIG.3

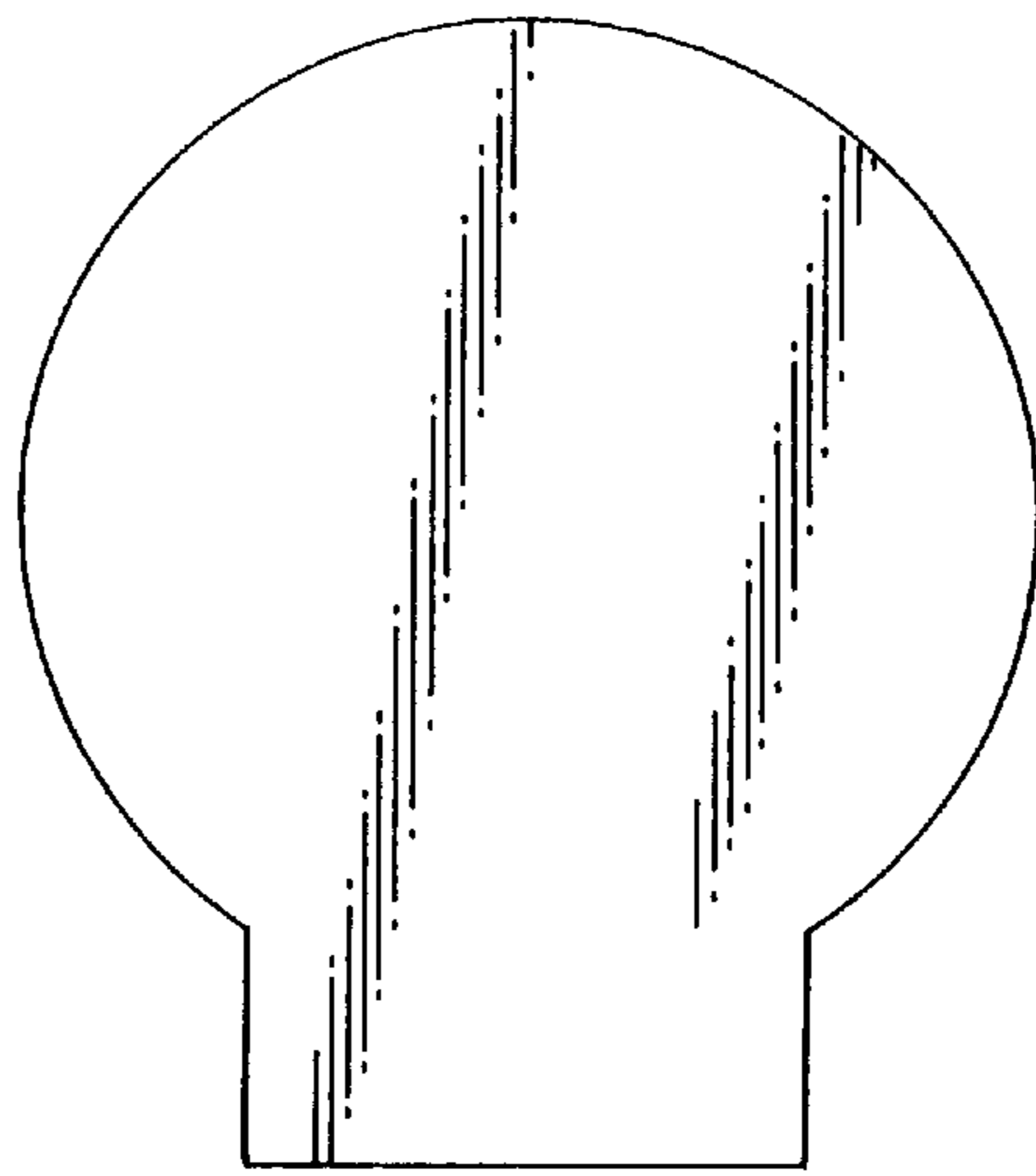


FIG.4

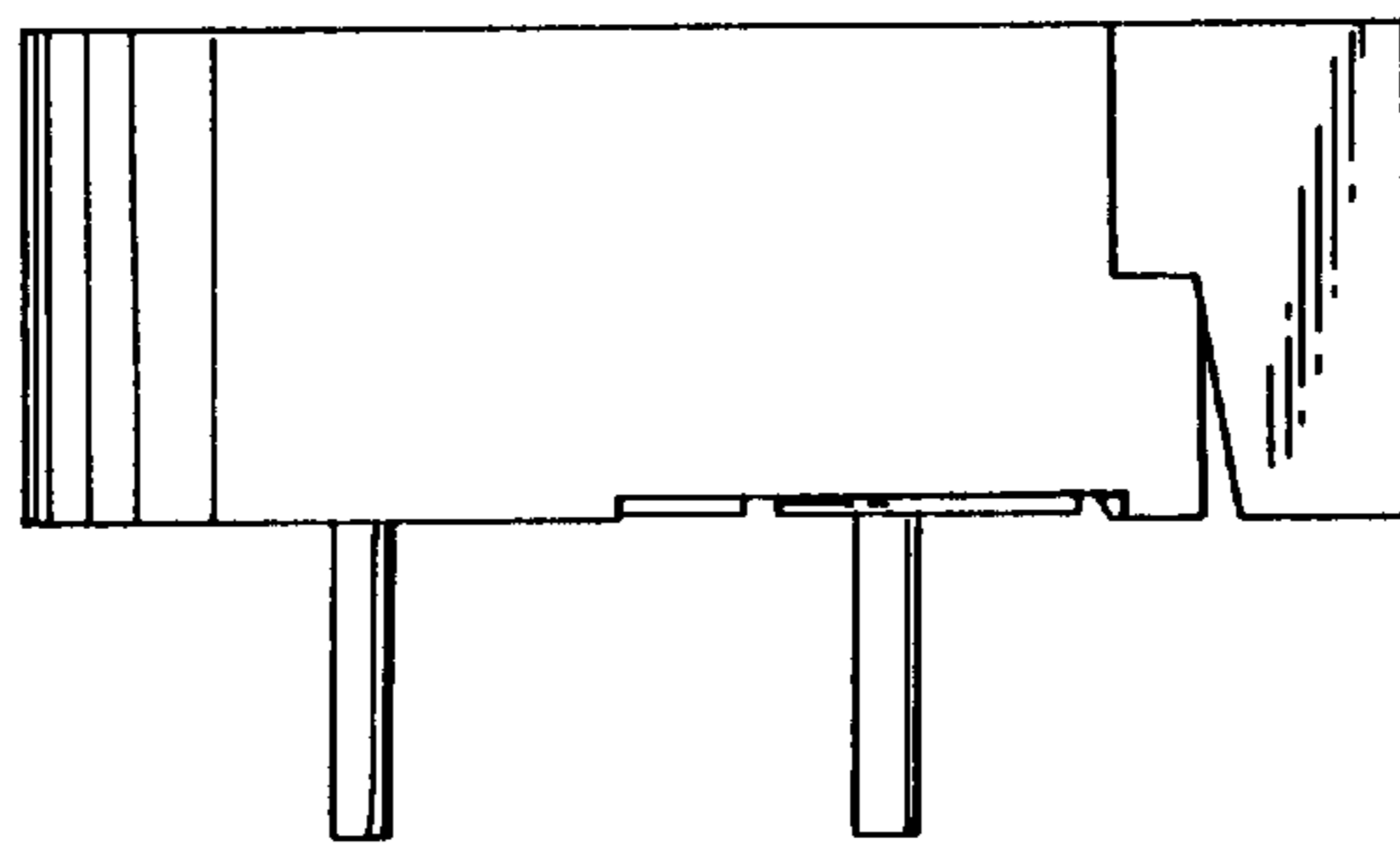


FIG.5

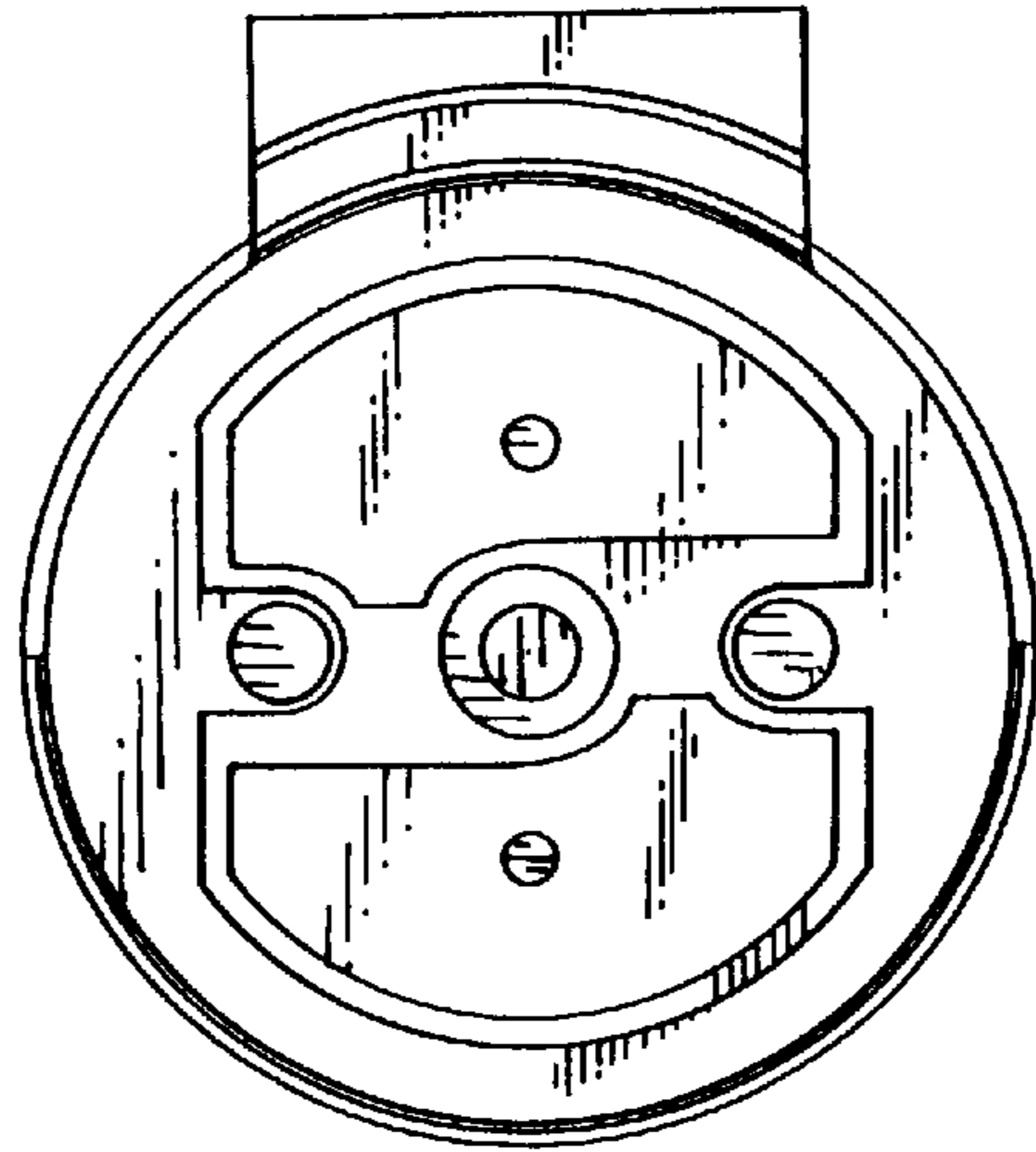


FIG.6

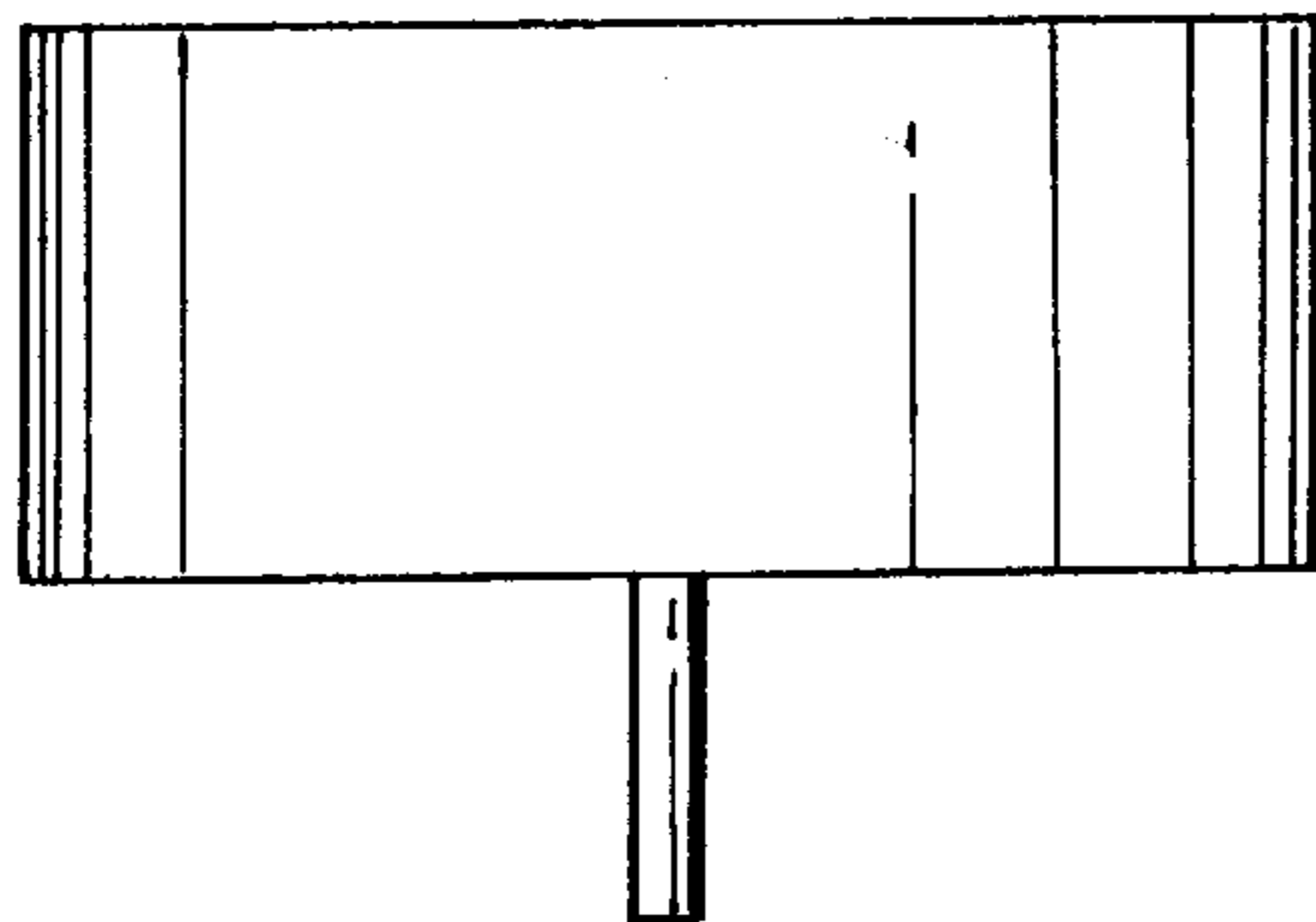


FIG.7

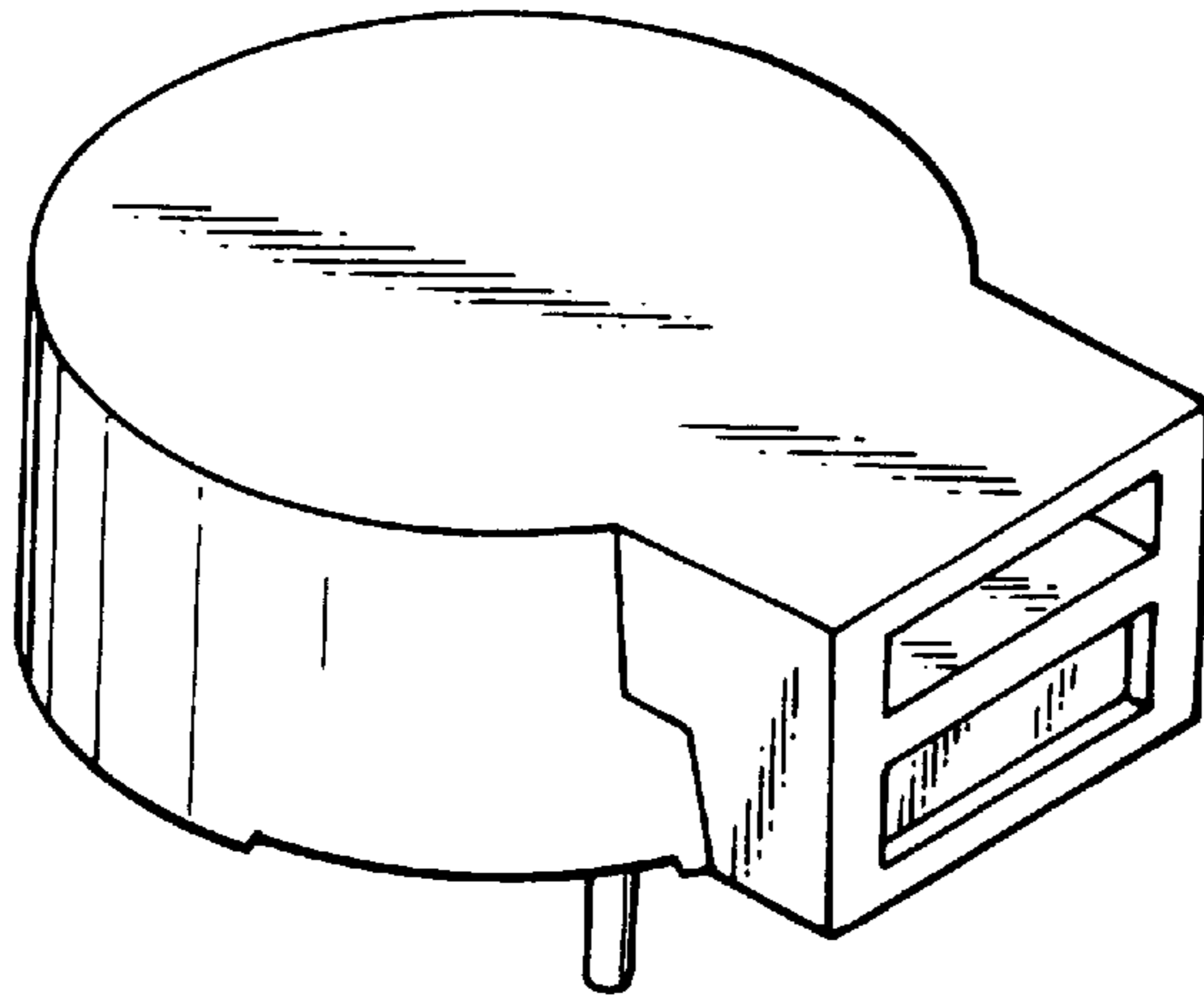


FIG.8

