



US00D401589S

# United States Patent [19]

[11] **Patent Number: Des. 401,589**

Sone et al.

[45] **Date of Patent: \*\*Nov. 24, 1998**

[54] **ELECTROACOUSTIC TRANSDUCER**

5,392,455 2/1995 Benoist et al. .... 381/188 X

[75] Inventors: **Takahiro Sone; Yoshio Imahori**, both of Shizuoka, Japan

### FOREIGN PATENT DOCUMENTS

948056 2/1996 Japan .

[73] Assignee: **Star Micronics Co., Ltd.**, Shizuoka, Japan

*Primary Examiner*—Ted Shooman  
*Assistant Examiner*—Nanda Bondade  
*Attorney, Agent, or Firm*—Sughrue, Mion, Zinn, Macpeak & Seas, PLLC

[\*\*] Term: **14 Years**

[21] Appl. No.: **62,766**

### [57] CLAIM

[22] Filed: **Dec. 5, 1996**

The ornamental design for an electroacoustic transducer, as shown and described.

### [30] Foreign Application Priority Data

Jun. 5, 1996 [JP] Japan ..... 8-16587  
Jun. 5, 1996 [JP] Japan ..... 8-16588

### DESCRIPTION

[51] **LOC (6) Cl.** ..... **14-01**

[52] **U.S. Cl.** ..... **D14/222; D10/116**

[58] **Field of Search** ..... D10/75, 104, 106, D10/116-118, 121; D13/152, 156, 184, 199; D14/100, 107, 140, 222, 240; 324/156; 340/384.1, 384.3, 384.6, 384.7, 384.72, 388.1, 388.6, 390.1, 391.1, 392.1-392.5, 396.1, 407.1; 361/600, 679, 724, 829; 367/175; 381/188-199

FIG. 1 is a perspective view of the front, top and left side of an electroacoustic transducer showing our new design; FIG. 2 is a front elevational view thereof; FIG. 3 is a top plan view thereof; FIG. 4 is a left side elevational view thereof, the right side being a mirror image thereof; FIG. 5 is a bottom plan view thereof; FIG. 6 is a rear elevational view thereof; FIG. 7 is a perspective view of the front, top and left side of a second embodiment of FIG. 1; and, FIG. 8 is a front elevational view of FIG. 7.

### [56] References Cited

The undisclosed right, bottom and rear views of the second embodiment are identical to the corresponding views of the first embodiment.

#### U.S. PATENT DOCUMENTS

D. 251,085 2/1979 Fanshawe ..... D14/222 X  
D. 315,334 3/1991 Fujioka ..... D13/156 X

**1 Claim, 4 Drawing Sheets**

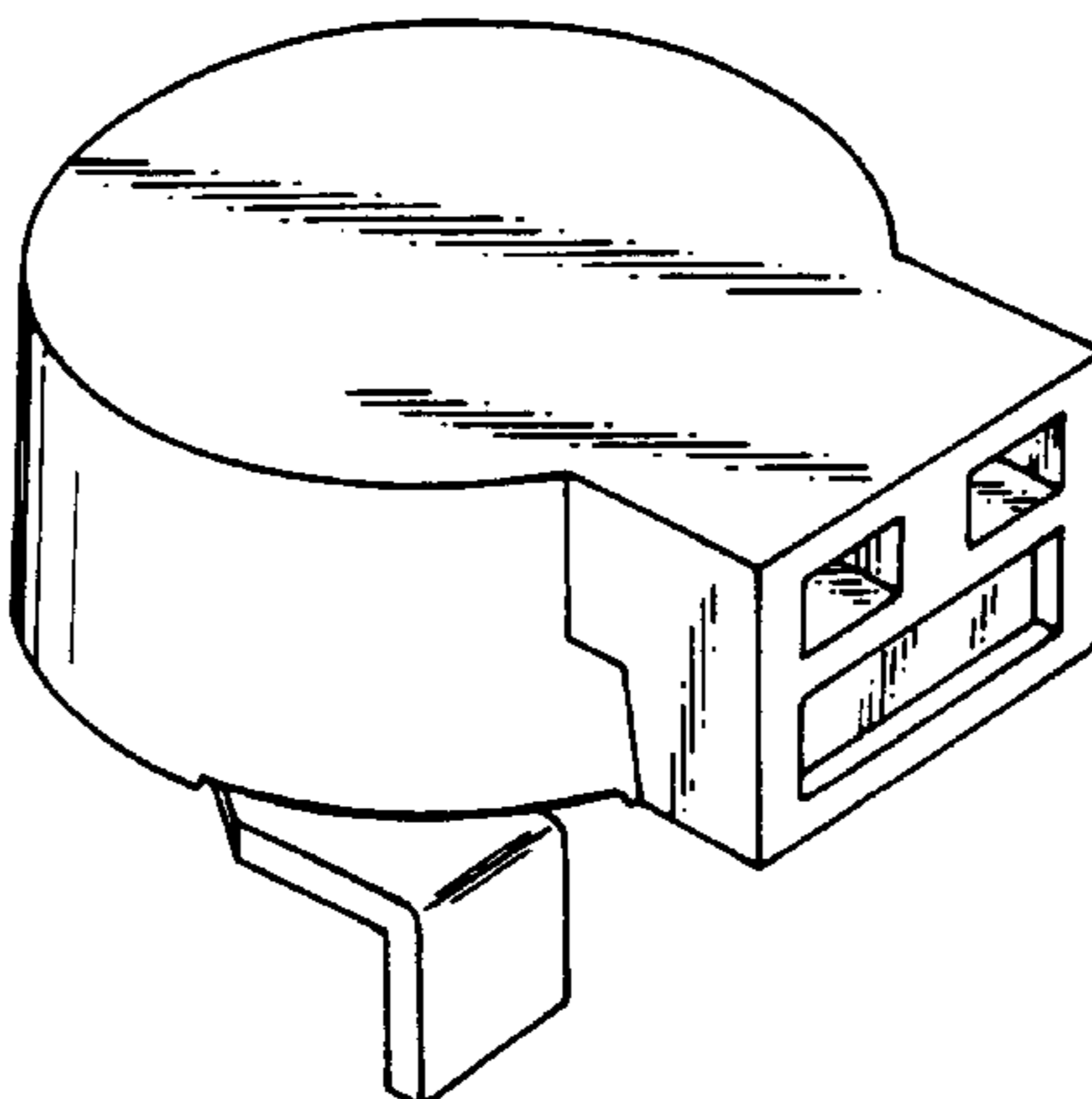
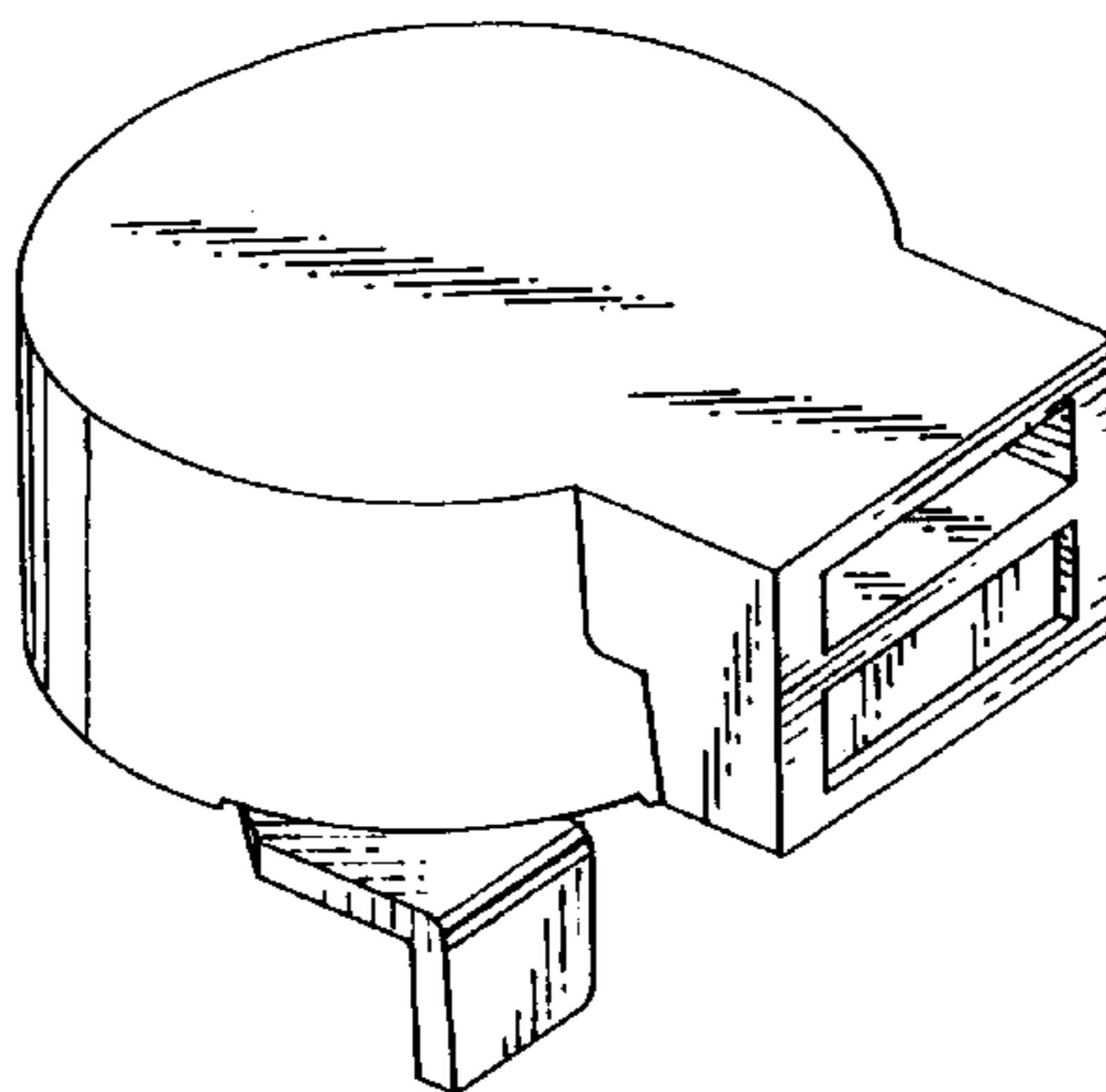


FIG.1

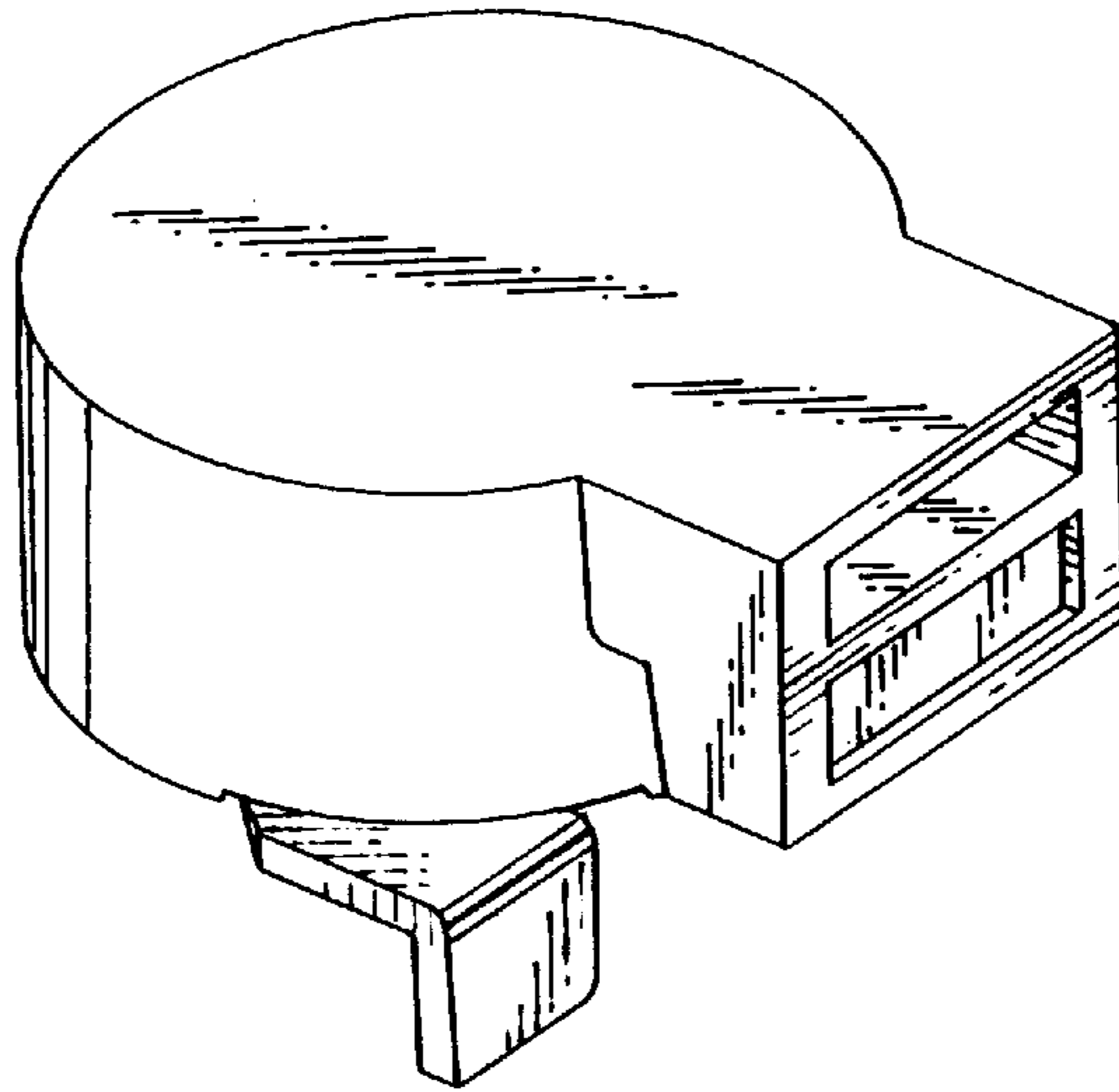


FIG.2

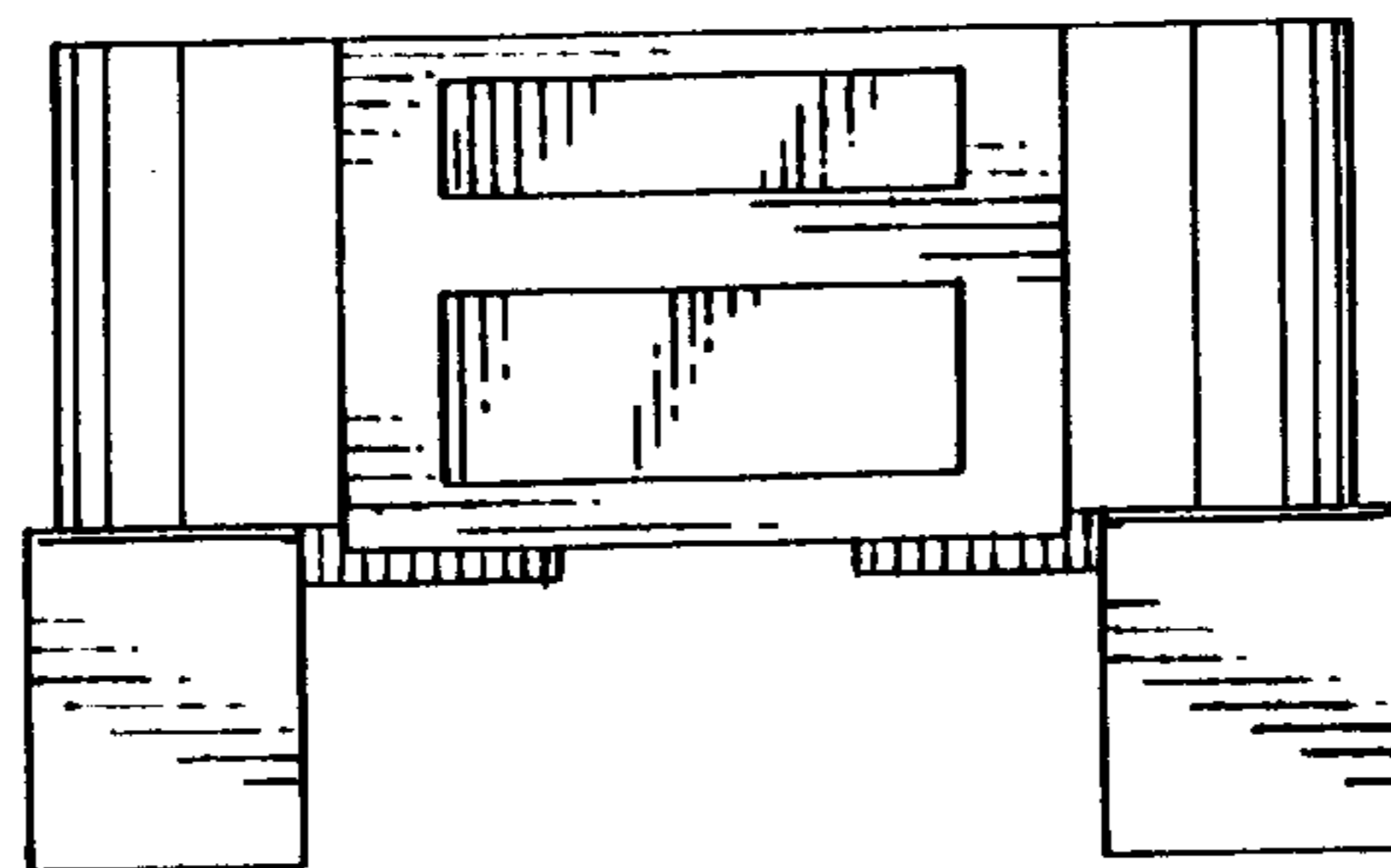


FIG.3

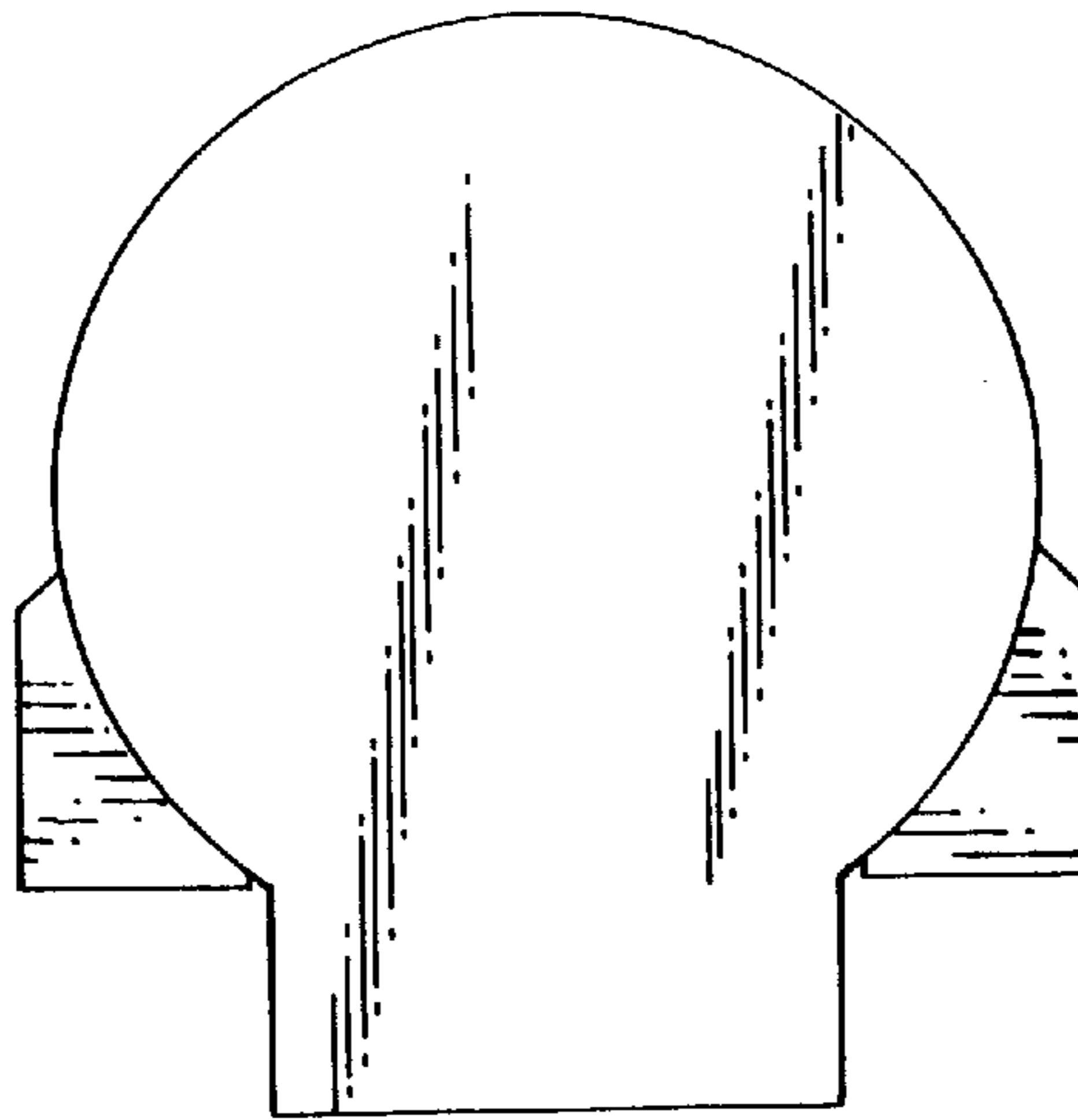


FIG.4

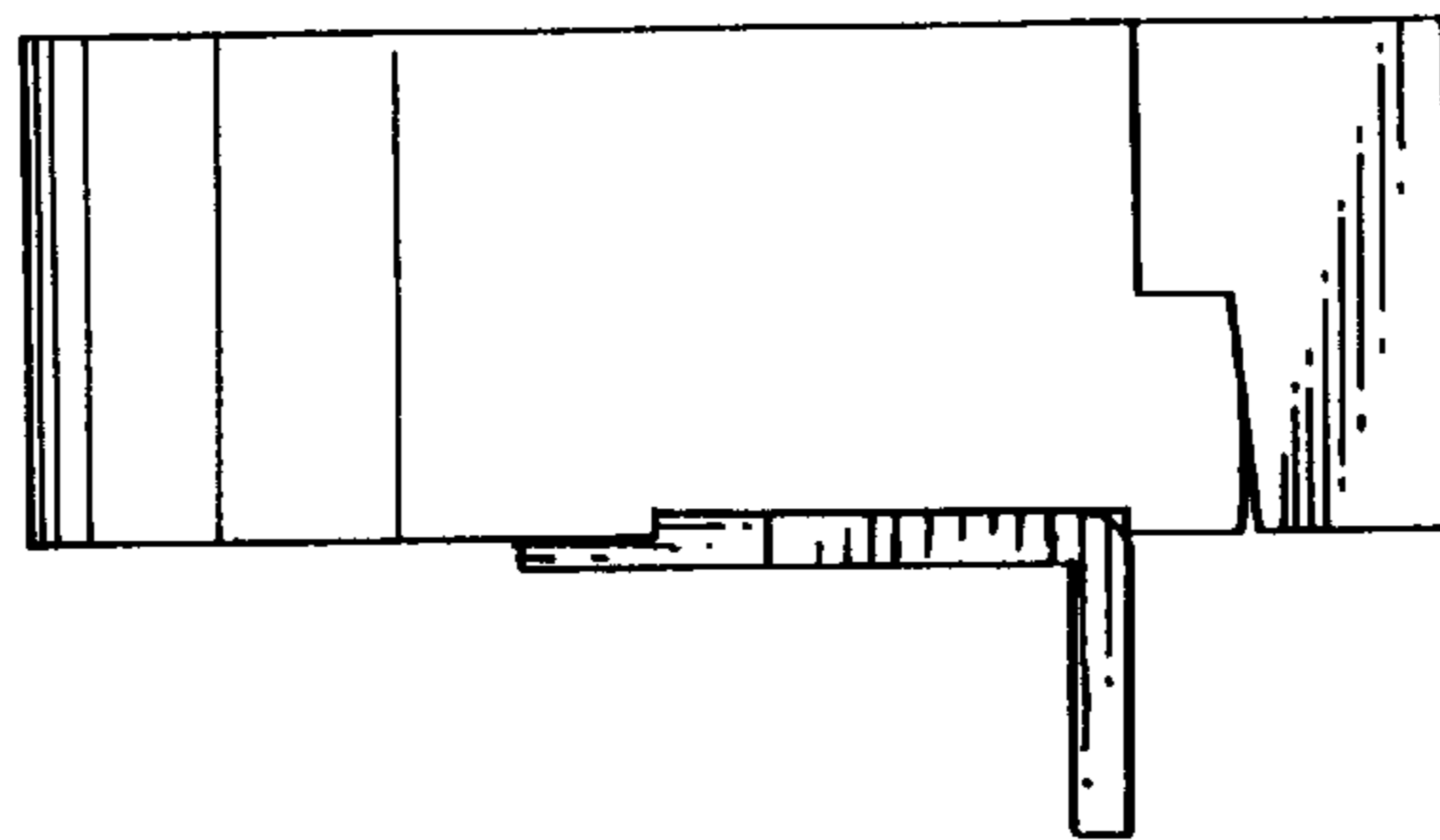


FIG.5

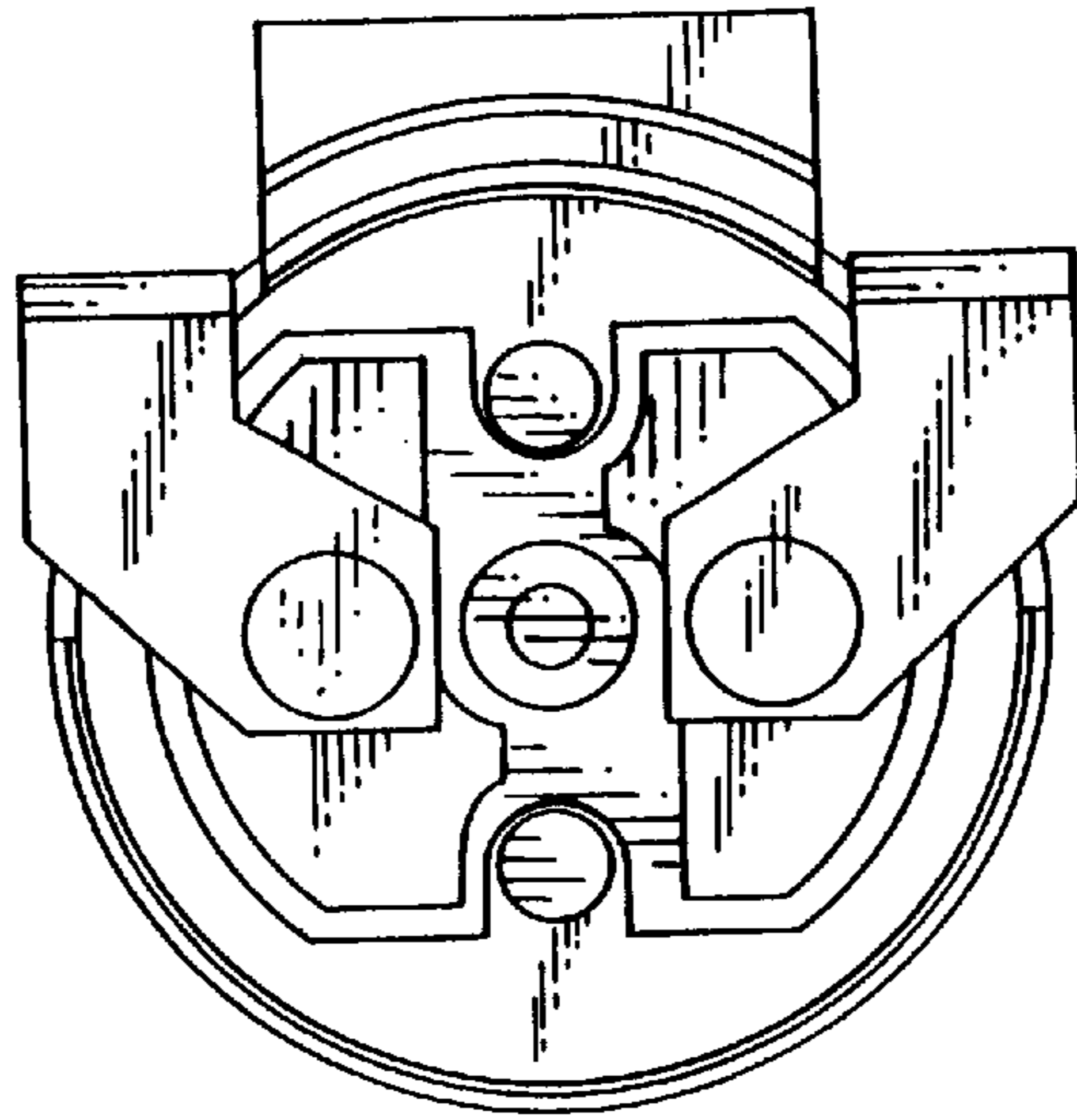


FIG.6

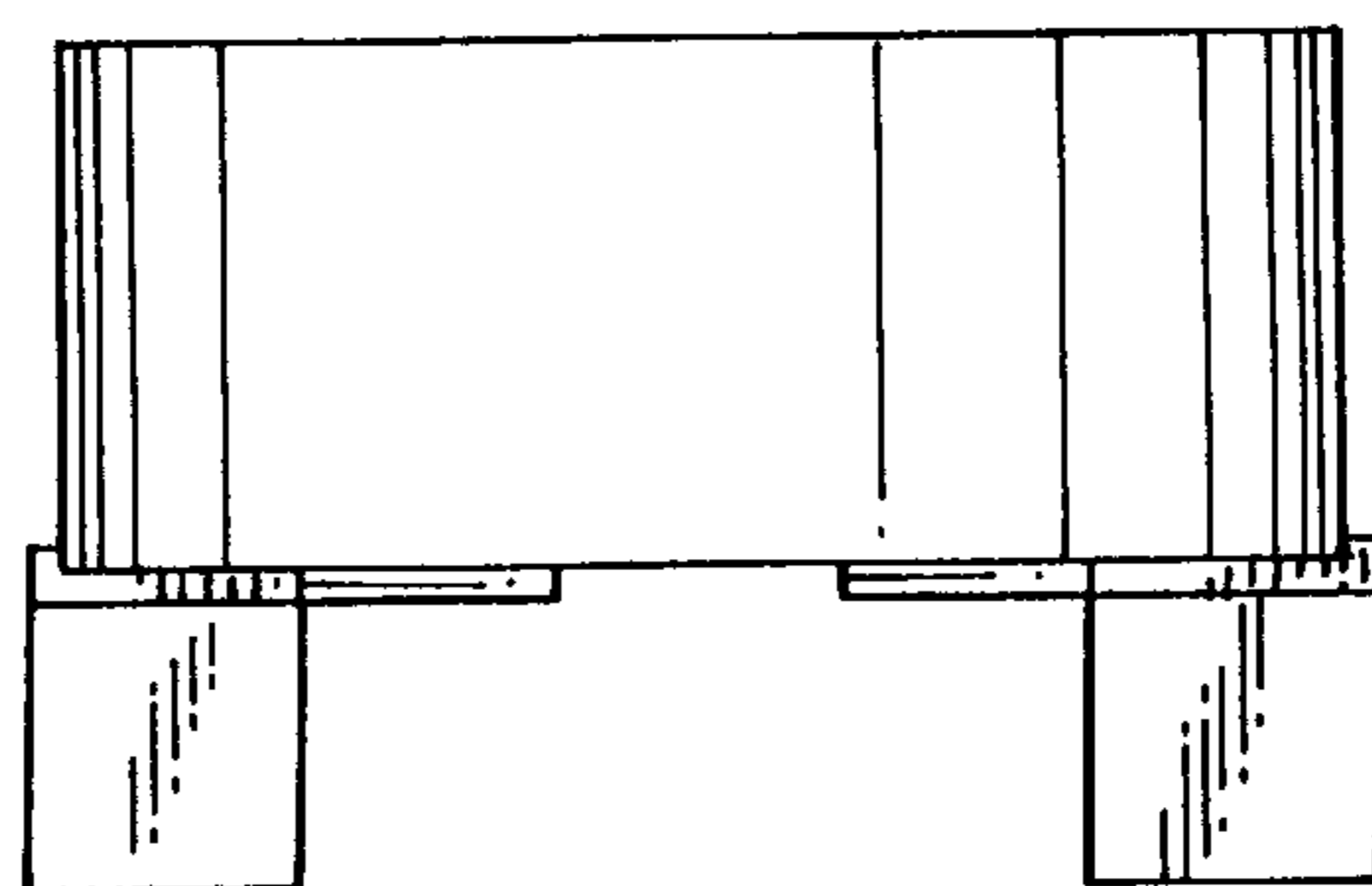


FIG.7

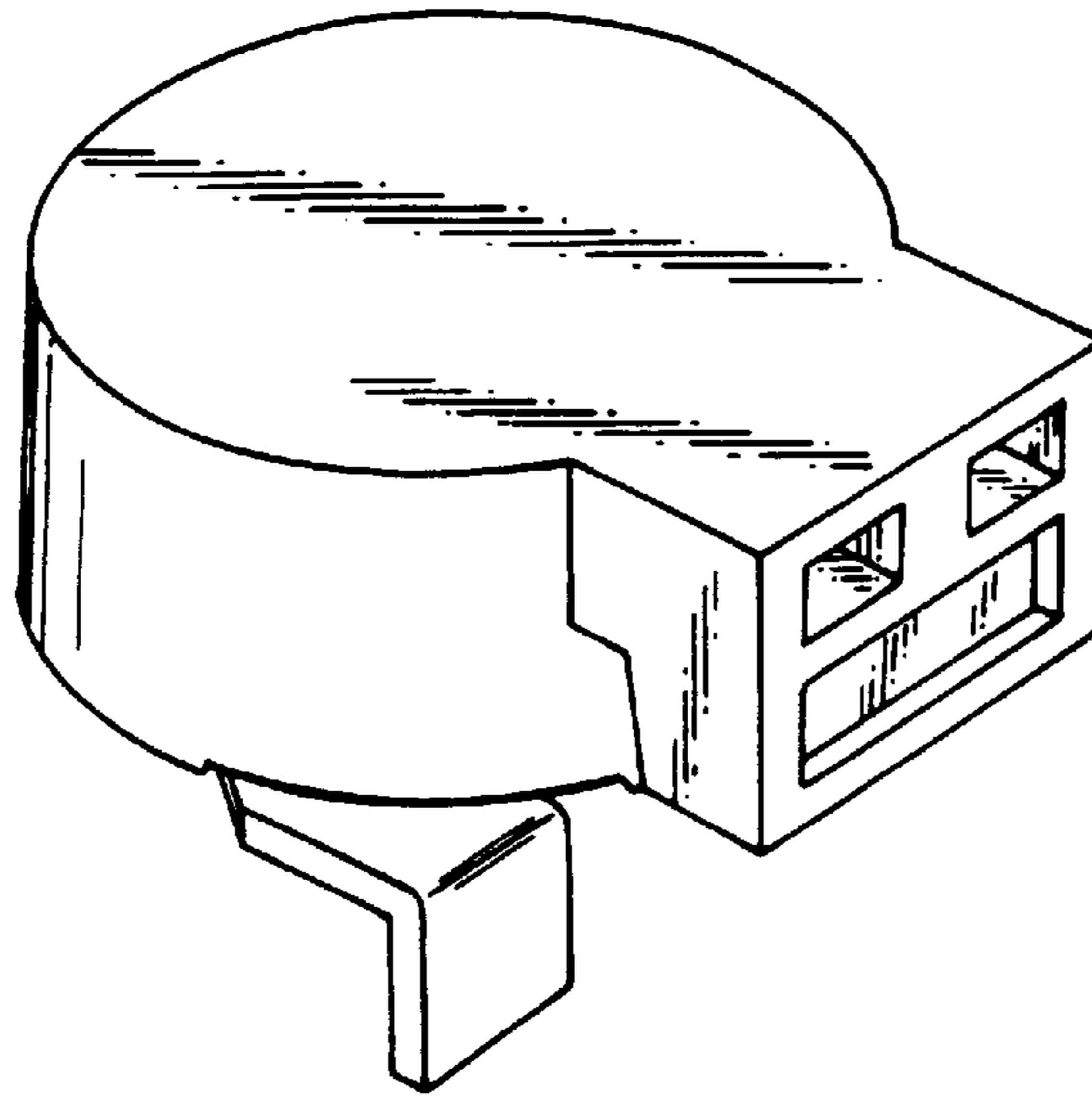


FIG.8

