



US00D401588S

United States Patent [19] Fushimi

[11] **Patent Number: Des. 401,588**

[45] **Date of Patent: **Nov. 24, 1998**

[54] **ELECTROACOUSTIC TRANSDUCER**

4,951,270 8/1990 Andrews 181/144 X

[75] Inventor: **Isao Fushimi**, Shizuoka, Japan

FOREIGN PATENT DOCUMENTS

[73] Assignee: **Star Micronics Co., Ltd.**, Shizuoka, Japan

948056 of 1995 Japan .

[**] Term: **14 Years**

Primary Examiner—Ted Shooman
Assistant Examiner—Nanda Bondade
Attorney, Agent, or Firm—Sughrue, Mion, Zinn, Macpeak & Seas, PLLC

[21] Appl. No.: **51,263**

[57] CLAIM

[22] Filed: **Mar. 7, 1996**

The ornamental design for an electroacoustic transducer, as shown and described.

[30] Foreign Application Priority Data

Sep. 8, 1995 [JP] Japan 7-26529

DESCRIPTION

[51] **LOC (6) Cl.** **14-01**

FIG. 1 is a perspective view of the top, front and right side of an electroacoustic transducer showing my new design; FIG. 2 is a front elevational view thereof; FIG. 3 is a top plan view thereof; FIG. 4 is a right side elevational view thereof; FIG. 5 is a left side elevational view thereof; FIG. 6 is a rear elevational view thereof; FIG. 7 is a bottom plan view thereof; and, FIG. 8 is a sectional view taken along the line A—A in FIG. 2.

[52] **U.S. Cl.** **D14/222; D10/116**

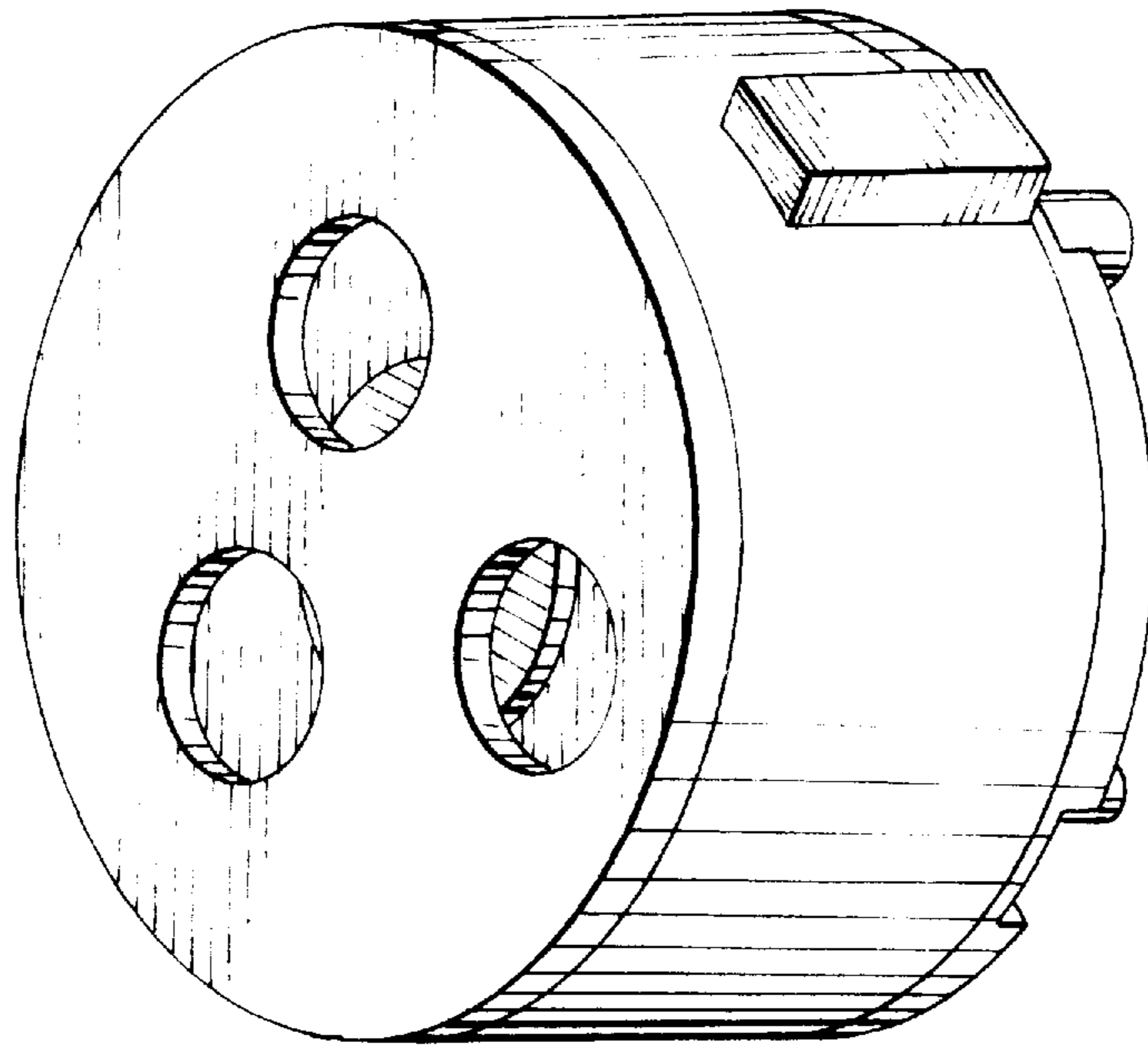
[58] **Field of Search** D10/75; D13/101; D14/204, 217, 221, 222; 324/156; 367/175; 381/144, 188-199

[56] References Cited

U.S. PATENT DOCUMENTS

- D. 239,537 4/1976 Wagner D14/222
- D. 251,085 2/1979 Fanshawe D14/222
- D. 333,468 2/1993 Hansen D14/222

1 Claim, 4 Drawing Sheets



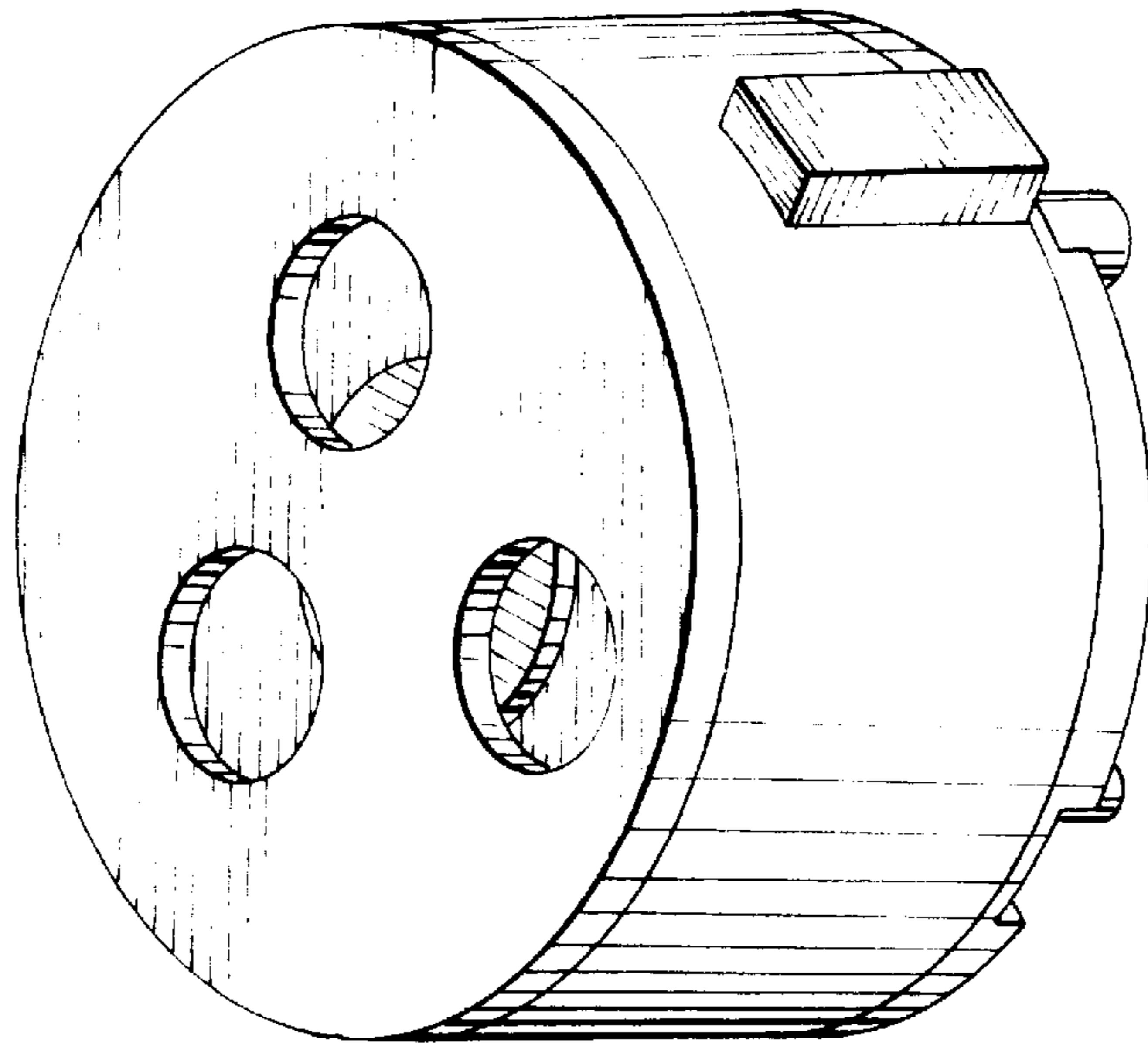


FIG. 1

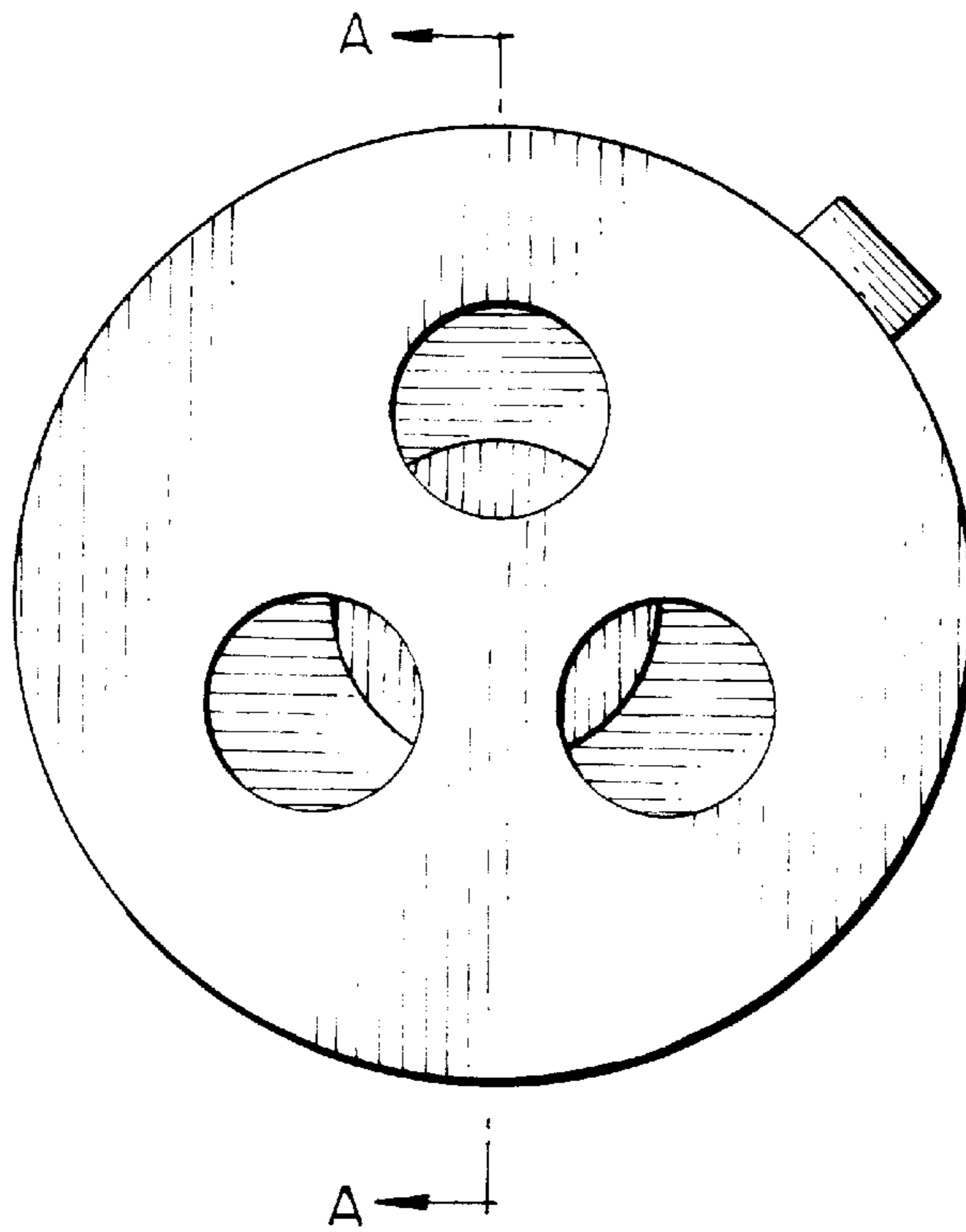


FIG. 2

FIG. 3

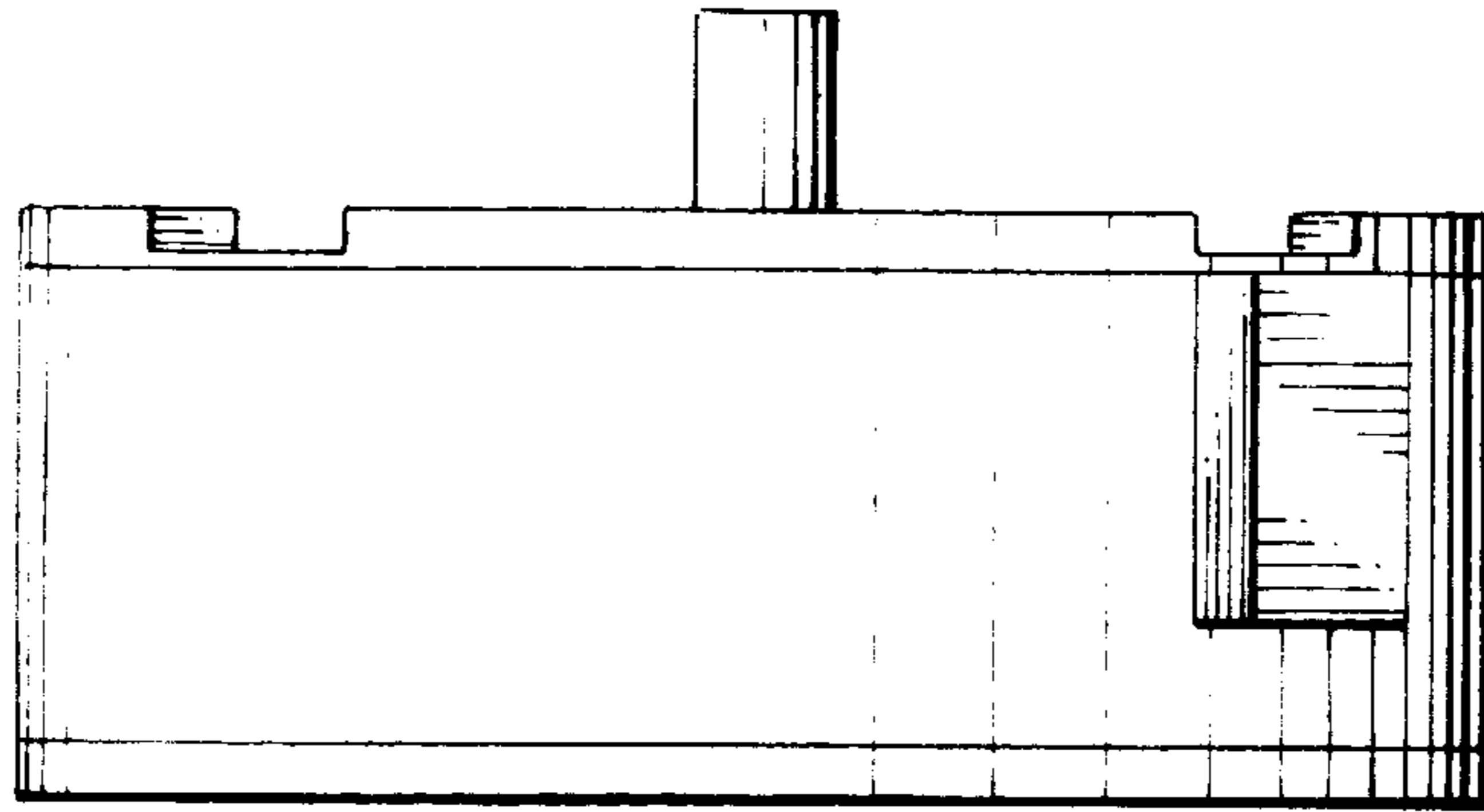


FIG. 4

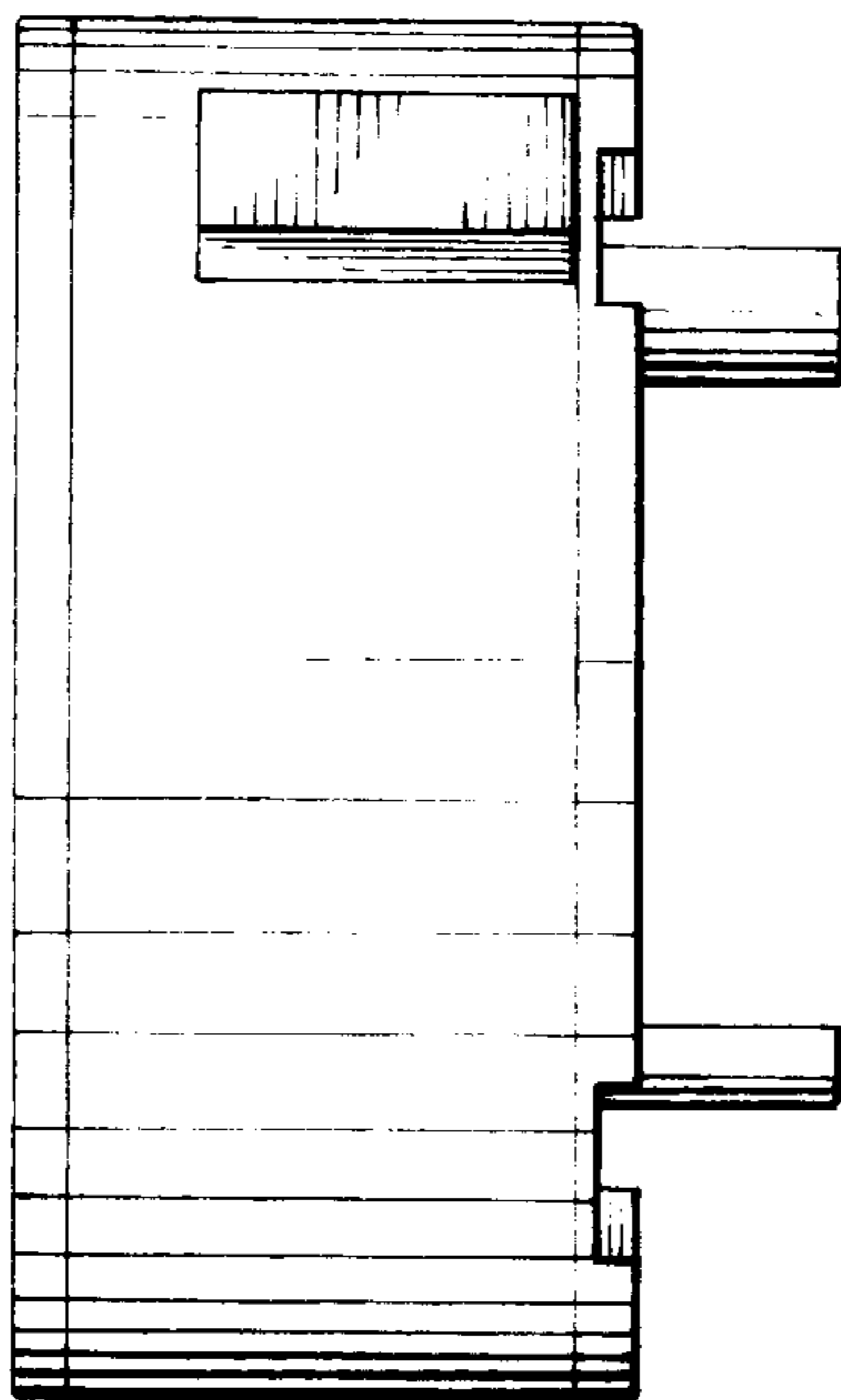


FIG. 5

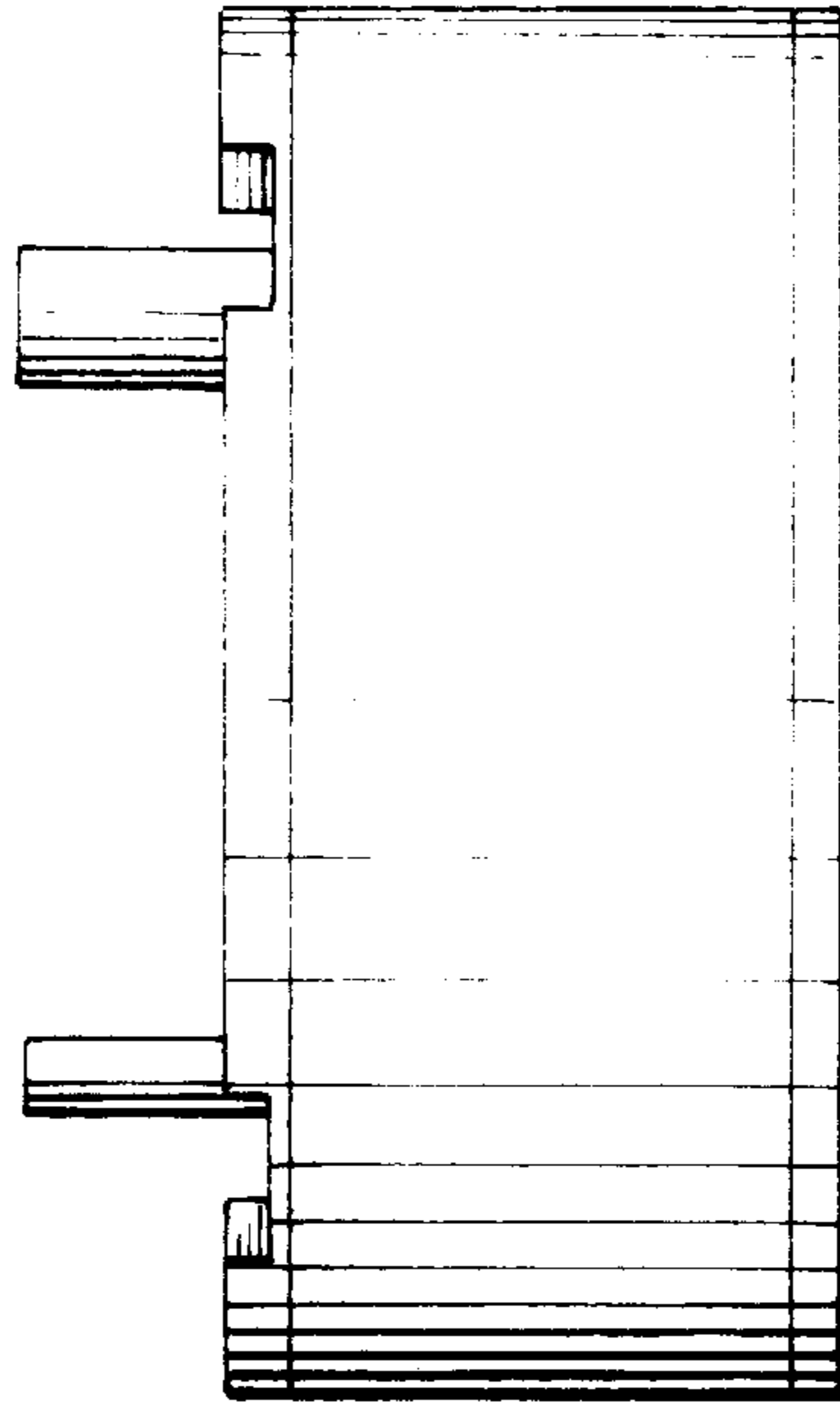


FIG. 6

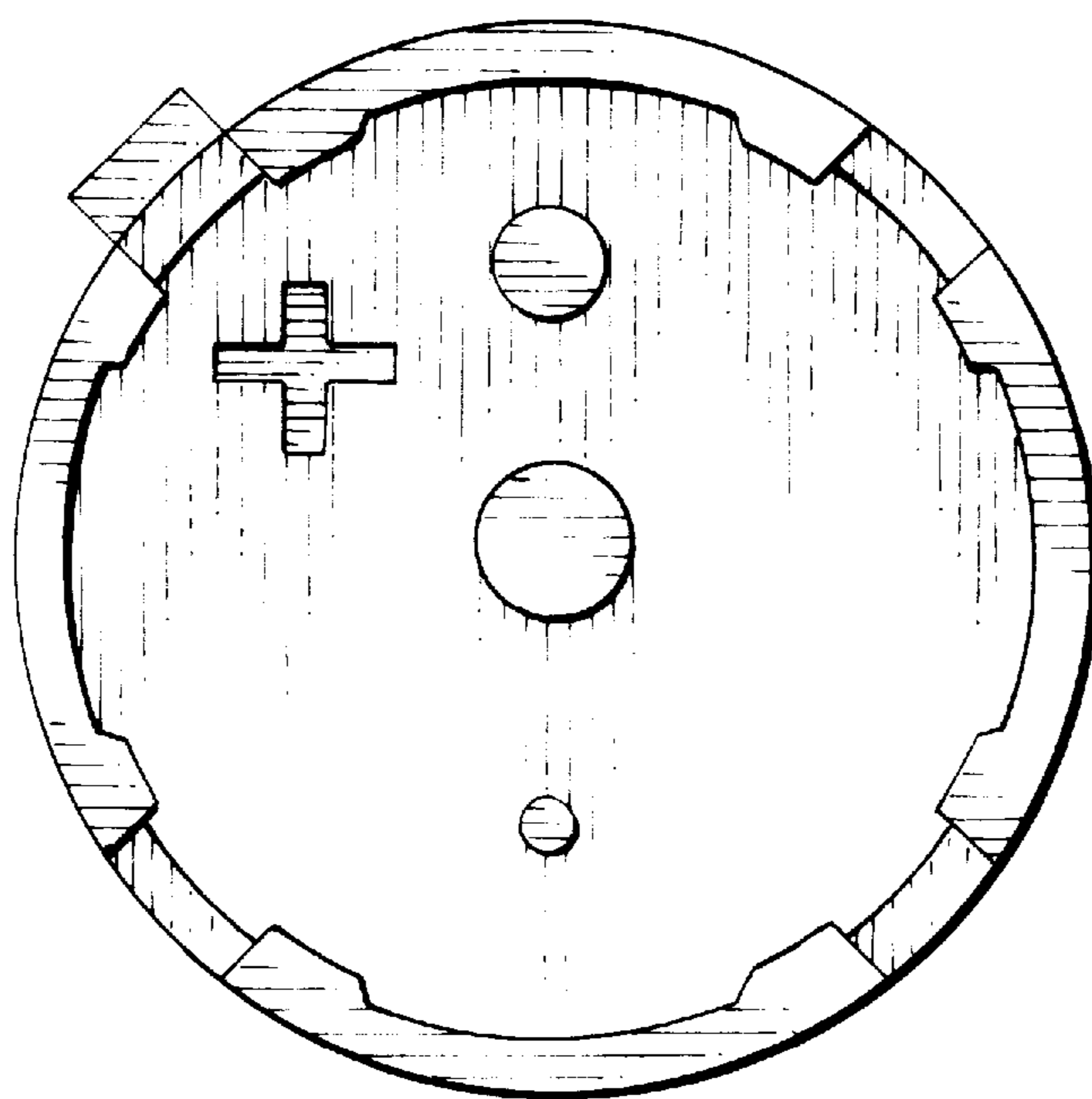


FIG. 7

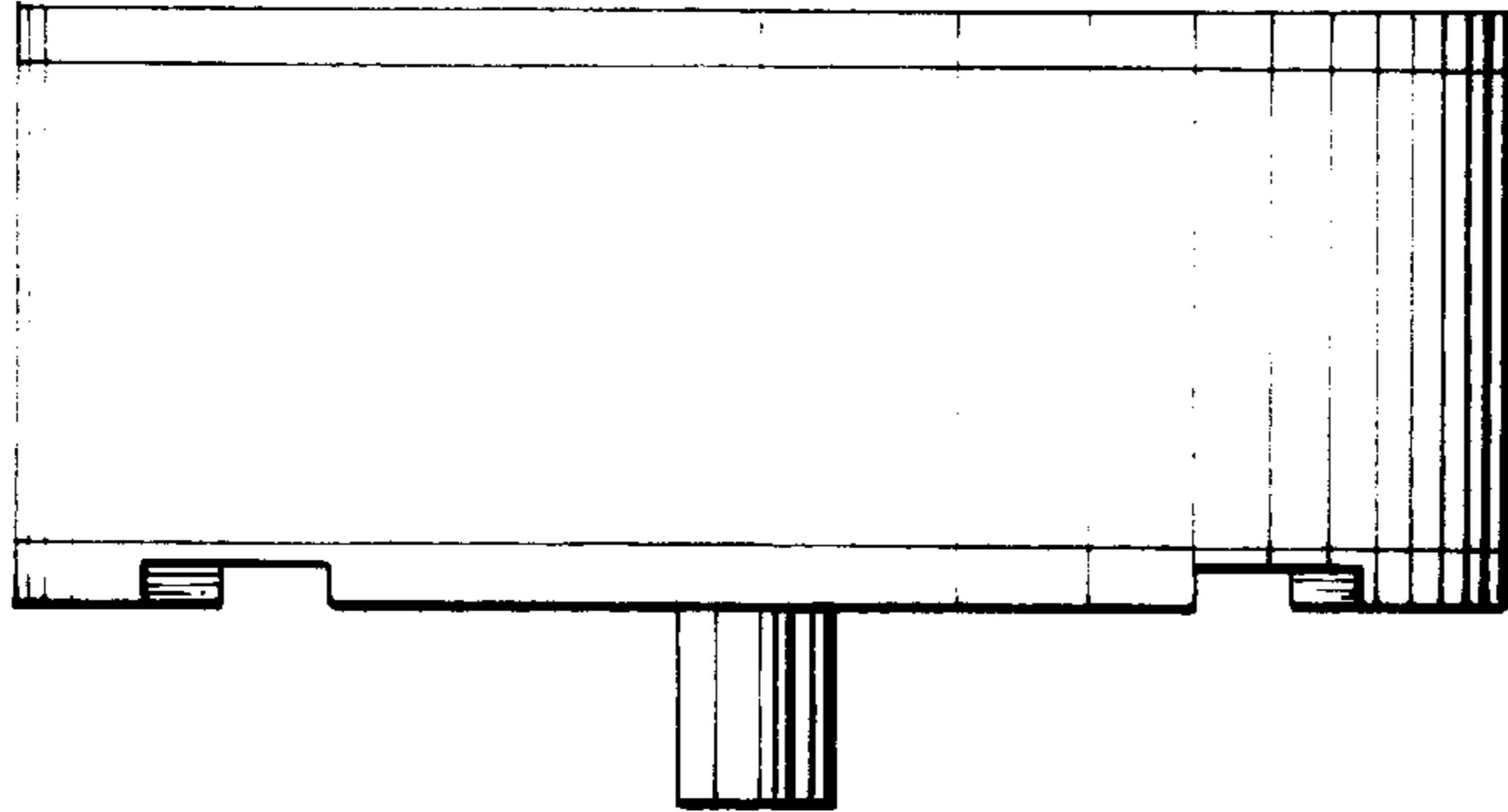


FIG. 8

