



US00D401576S

**United States Patent** [19]  
**Watkins**

[11] **Patent Number: Des. 401,576**

[45] **Date of Patent: \*\*Nov. 24, 1998**

[54] **FRONT OF A COMPUTER MONITOR COVER WITH ZIPPER ACCENT**

D. 382,260 8/1997 Smith ..... D14/114

[76] Inventor: **Wainwright S. Watkins**, P.O. Box 251696, Glendale, Calif. 91225

*Primary Examiner*—Freda Nunn

[\*\*] Term: **14 Years**

[57] **CLAIM**

The ornamental design for the front of a computer monitor cover with zipper accent, as shown and described.

[21] Appl. No.: **76,670**

[22] Filed: **Sep. 12, 1997**

**DESCRIPTION**

[51] **LOC (6) Cl.** ..... **14-02**

[52] **U.S. Cl.** ..... **D14/114**

[58] **Field of Search** ..... D14/114; D6/610; D9/307, 417; 150/154, 158, 164, 165; 181/200, 201; 206/320, 586; 454/184; 361/687, 694; 312/208.3; 400/713

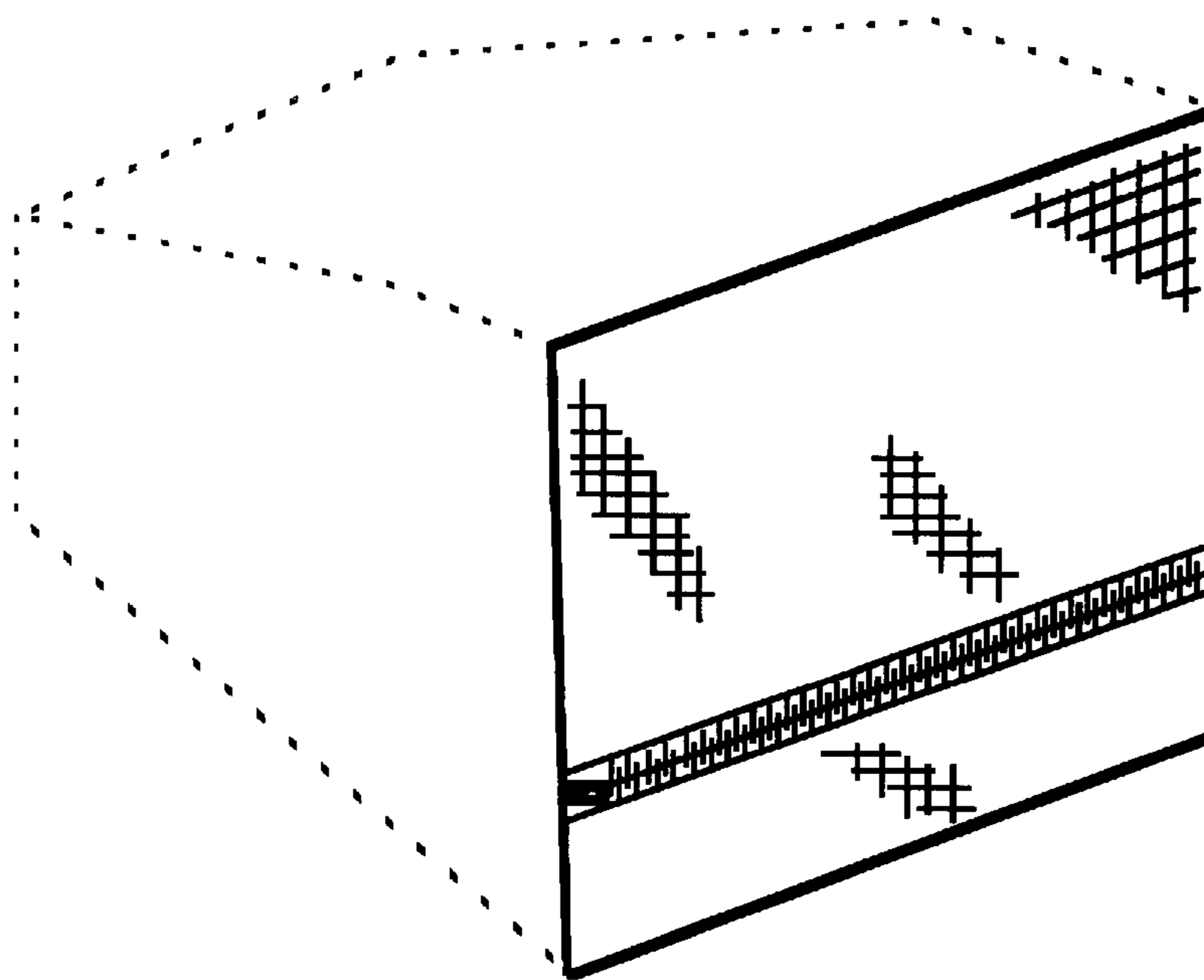
The only FIGURE shown is a perspective view of the front of a computer monitor cover with zipper accent showing my new design the top, bottom, rear and side views form no part of the claimed design and the computer monitor is shown in broken lines for illustrative purposes only and forms no part of the claimed design, the pattern partially shown is understood to represent a conventional material which continues across the indicated surface.

[56] **References Cited**

**U.S. PATENT DOCUMENTS**

D. 377,788 2/1997 Carlson ..... D14/114

**1 Claim, 1 Drawing Sheet**



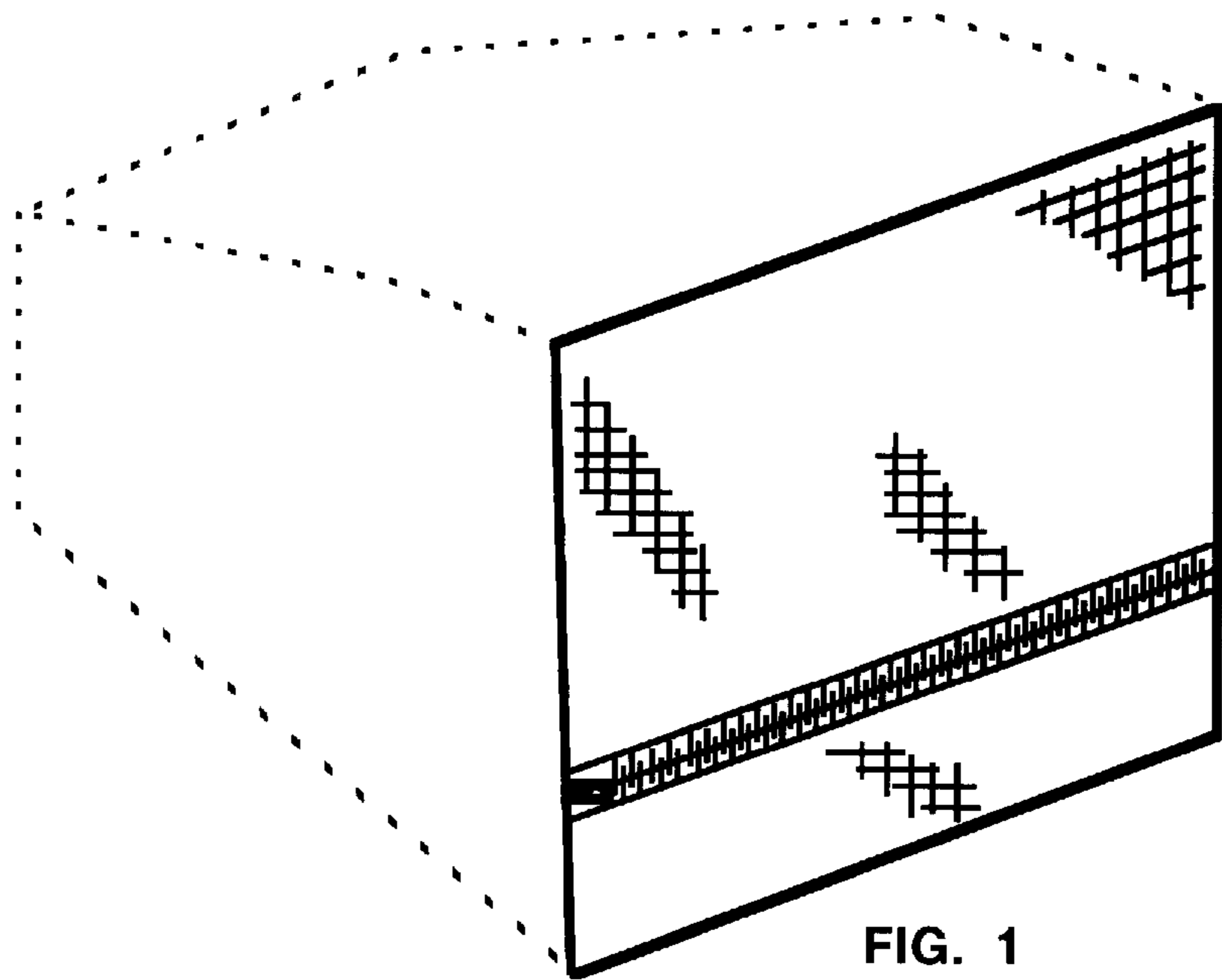


FIG. 1