



US00D401573S

United States Patent [19] Goto

[11] **Patent Number: Des. 401,573**

[45] **Date of Patent: ***Nov. 24, 1998**

[54] **DATA RECORDER AND READER**

[75] Inventor: **Teiyu Goto**, Tokyo, Japan

[73] Assignee: **Sony Corporation**, Tokyo, Japan

[*] Notice: The term of this patent shall not extend beyond the expiration date of Pat. No. 5,470,942.

[**] Term: **14 Years**

[21] Appl. No.: **63,589**

[22] Filed: **Dec. 13, 1996**

[30] **Foreign Application Priority Data**

Jun. 14, 1996	[JP]	Japan	8-17765
Jun. 14, 1996	[JP]	Japan	8-17766
Jun. 14, 1996	[JP]	Japan	8-17767

[51] **LOC (6) Cl.** **14-02**

[52] **U.S. Cl.** **D14/107**

[58] **Field of Search** D14/100, 102, D14/107-109; D13/162, 184, 199, 147; D6/432, 436, 445, 448; 312/208.1, 254, 292; 360/97.01, 97.04, 98.01, 99.01, 99.12; 361/683, 694, 696; 235/486, 487, 441, 492, 479; 359/152; 396/211; 439/607, 946

[56] **References Cited**

U.S. PATENT DOCUMENTS

D. 304,448	11/1989	De La Cruz et al.	D14/114
D. 311,391	10/1990	Ueshin et al.	D14/114
D. 349,890	8/1994	Kabumoto	D14/109
D. 350,337	9/1994	Riley et al.	D14/102
D. 366,030	1/1996	Tinsley, Jr. et al.	D14/102

D. 369,787	5/1996	Muenkel	D14/102
5,360,969	11/1994	Suzuki	235/479

Primary Examiner—Freda Nunn
Attorney, Agent, or Firm—Foley & Lardner

[57] **CLAIM**

The ornamental design for a data recorder and reader, as shown and described.

DESCRIPTION

FIG. 1 is a perspective view of a first embodiment of a data recorder and reader showing my new design; FIG. 2 is a perspective view thereof wherein the lid portion is in the open position; FIG. 3 is a left side elevational view thereof; FIG. 4 is a front elevational view thereof; FIG. 5 is a right side elevational view thereof; FIG. 6 is a rear elevational view thereof; FIG. 7 is a top plan view thereof; and, FIG. 8 is a bottom plan view thereof; FIG. 9 is a perspective view of a second embodiment of a data recorder and reader showing my new design; FIG. 10 is a perspective view of the embodiment of FIG. 9 wherein the lid portion is in the open position; FIG. 11 is a left side elevational view of the embodiment of FIG. 9; FIG. 12 is a front elevational view of the embodiment of FIG. 9; FIG. 13 is a right side elevational view of the embodiment of FIG. 9; FIG. 14 is a rear elevational view of the embodiment of FIG. 9; FIG. 15 is a top plan view of the embodiment of FIG. 9; and, FIG. 16 is a bottom plan view of the embodiment of FIG. 9.

1 Claim, 6 Drawing Sheets

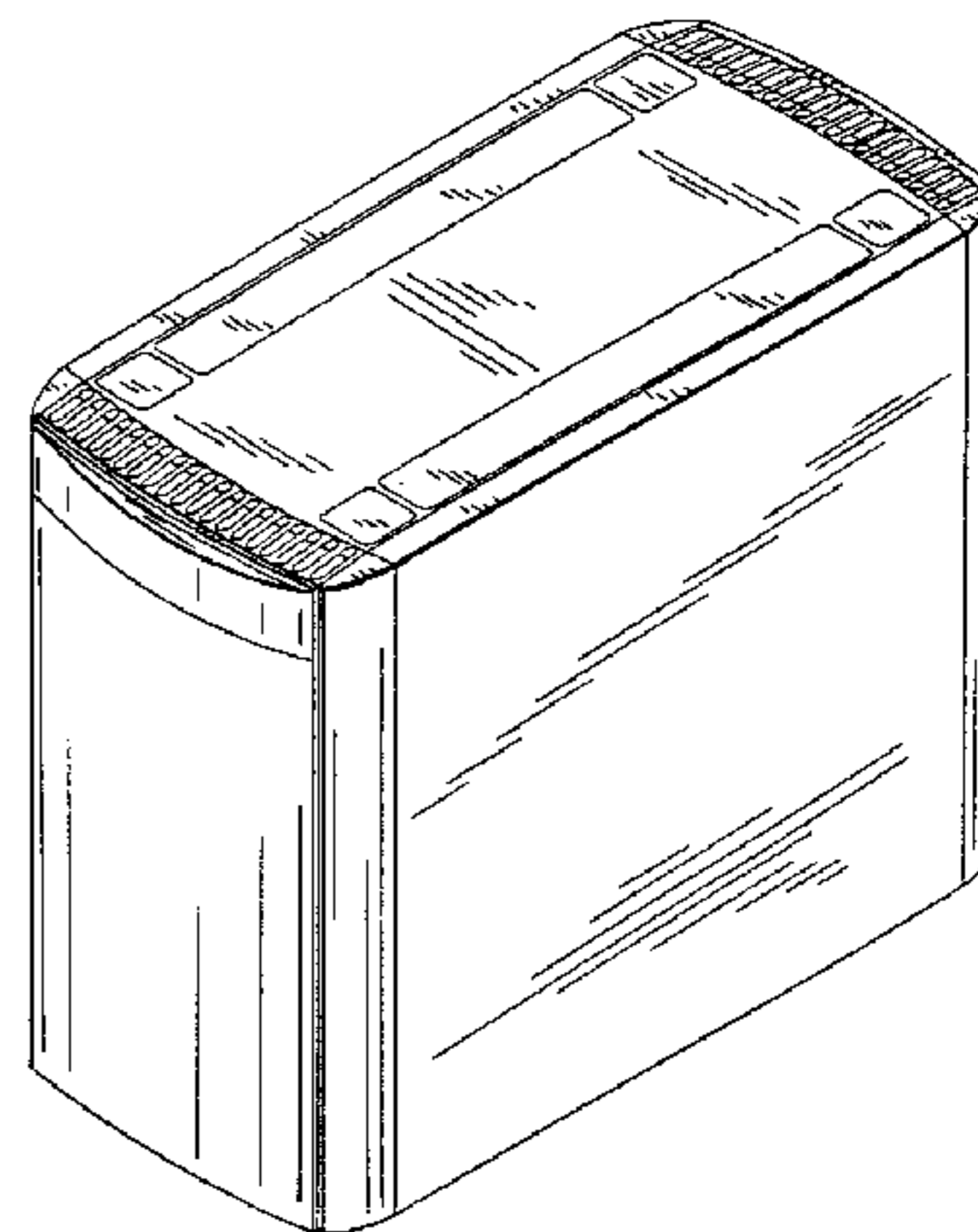
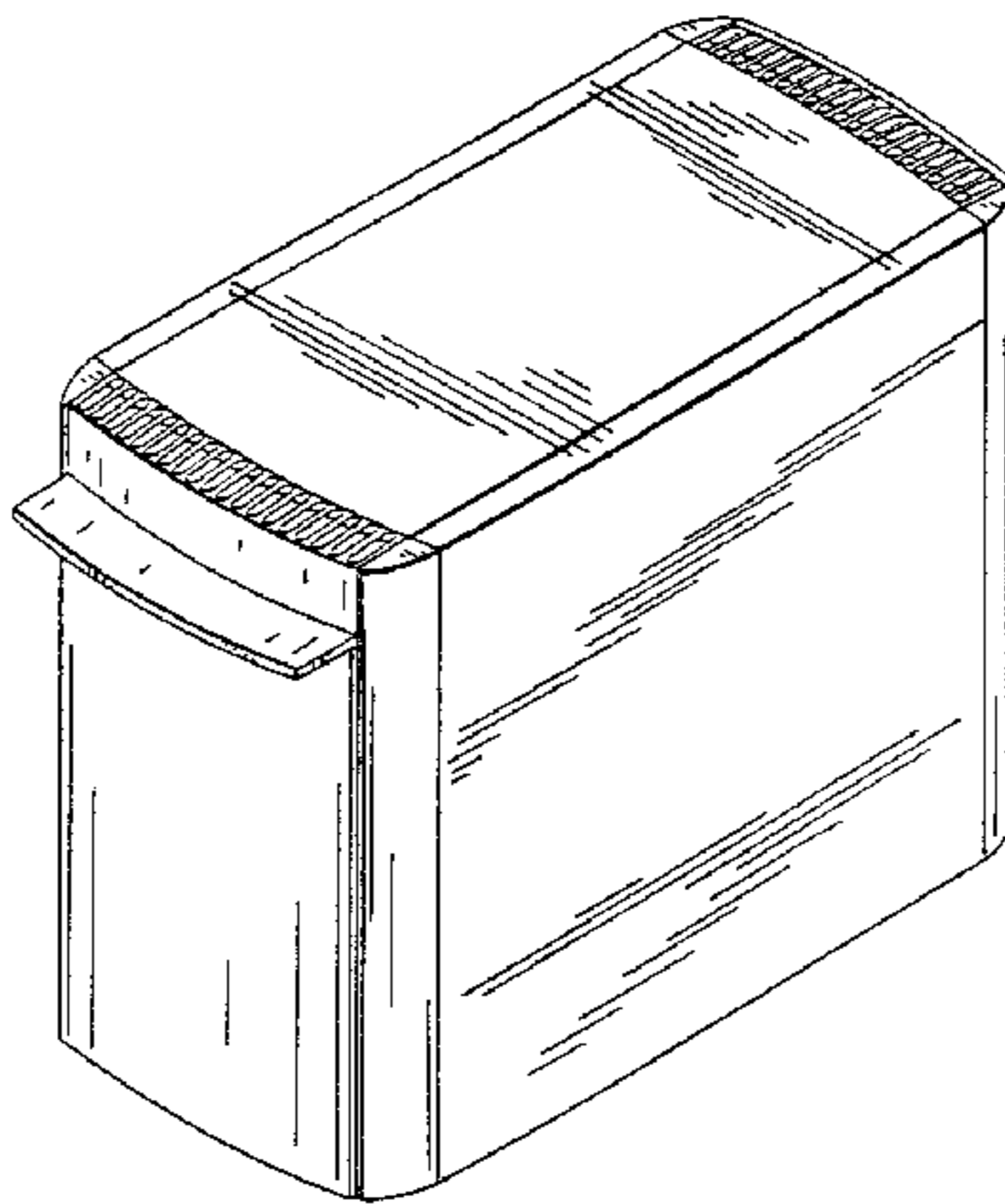
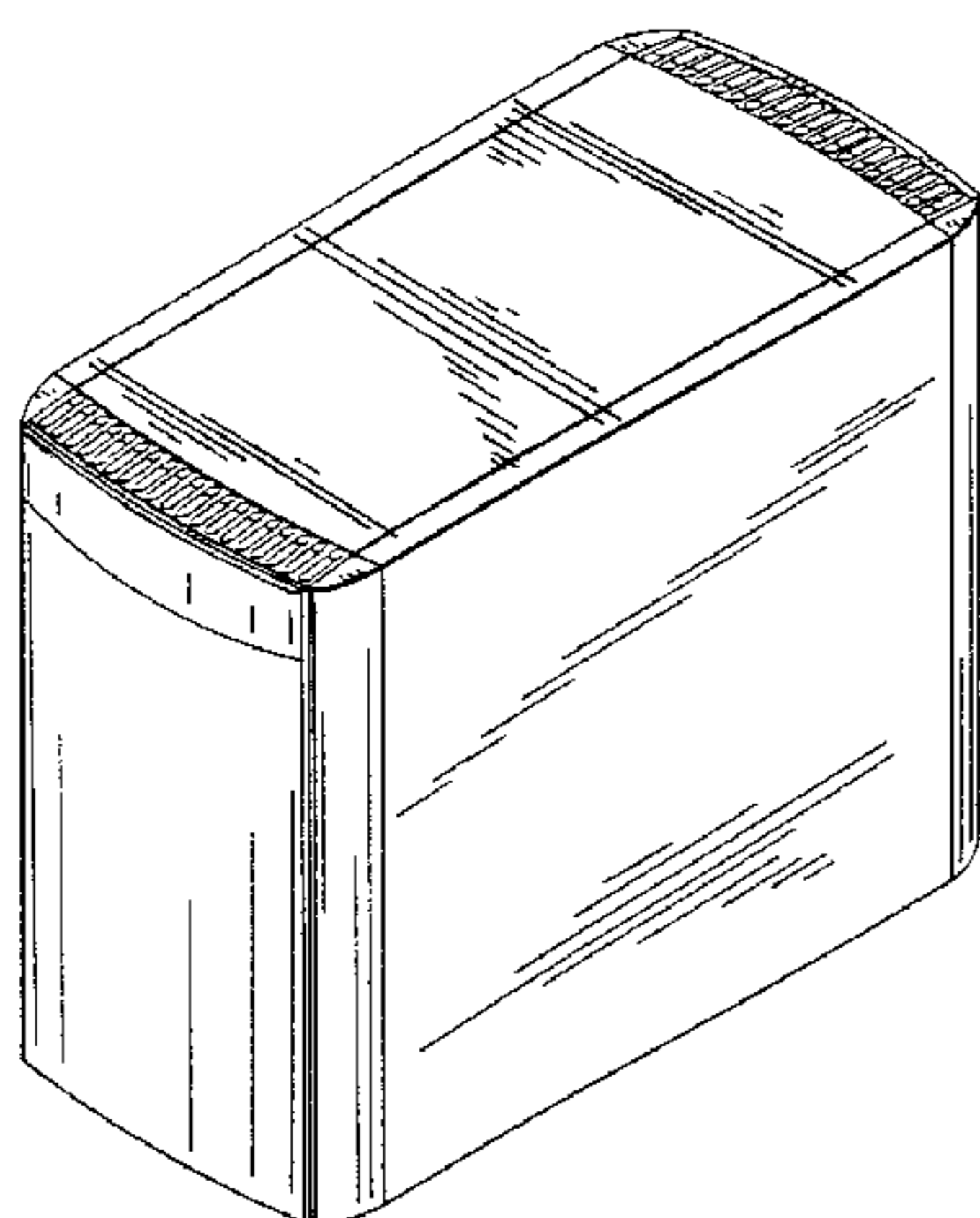


FIG. 2

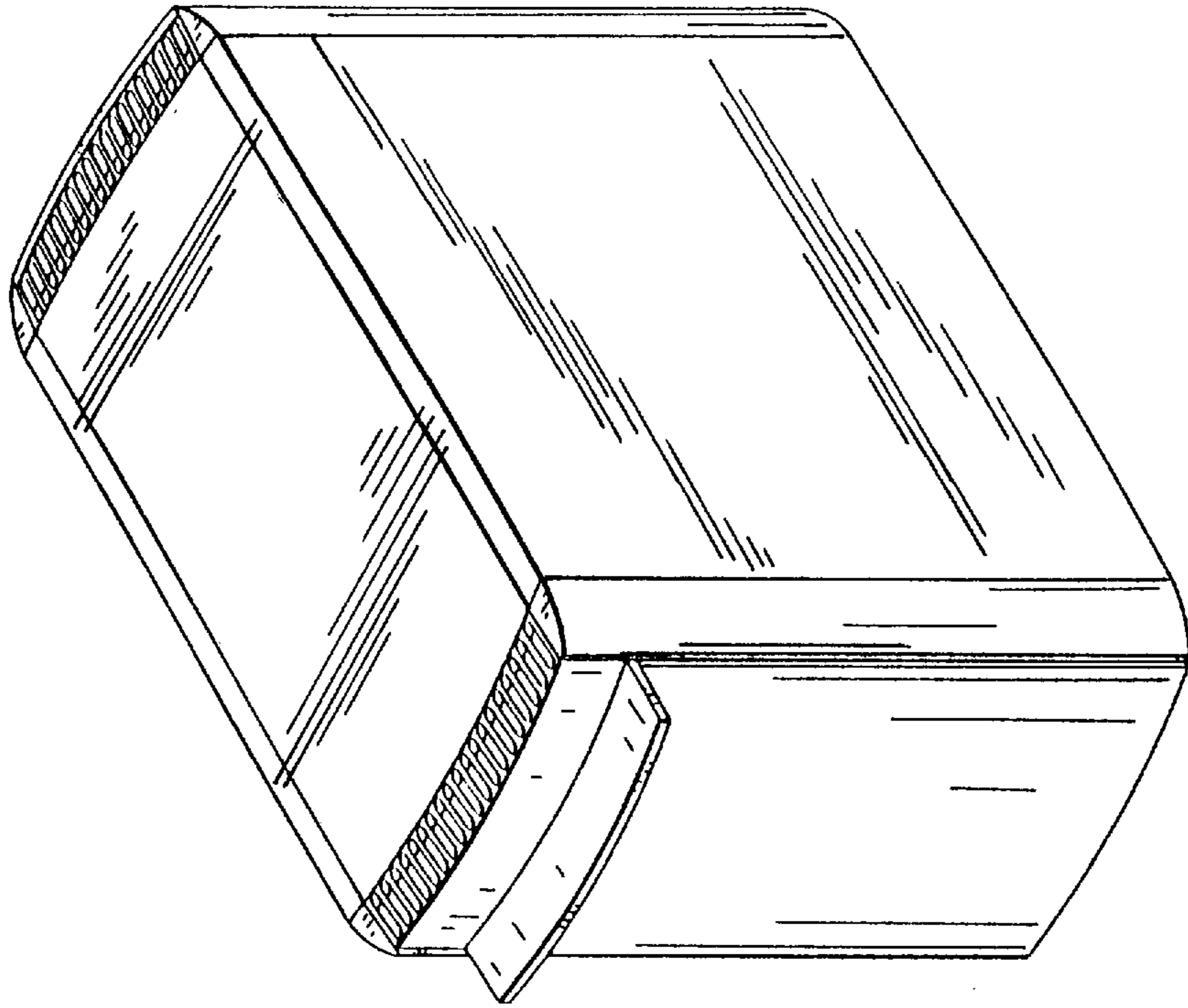


FIG. 1

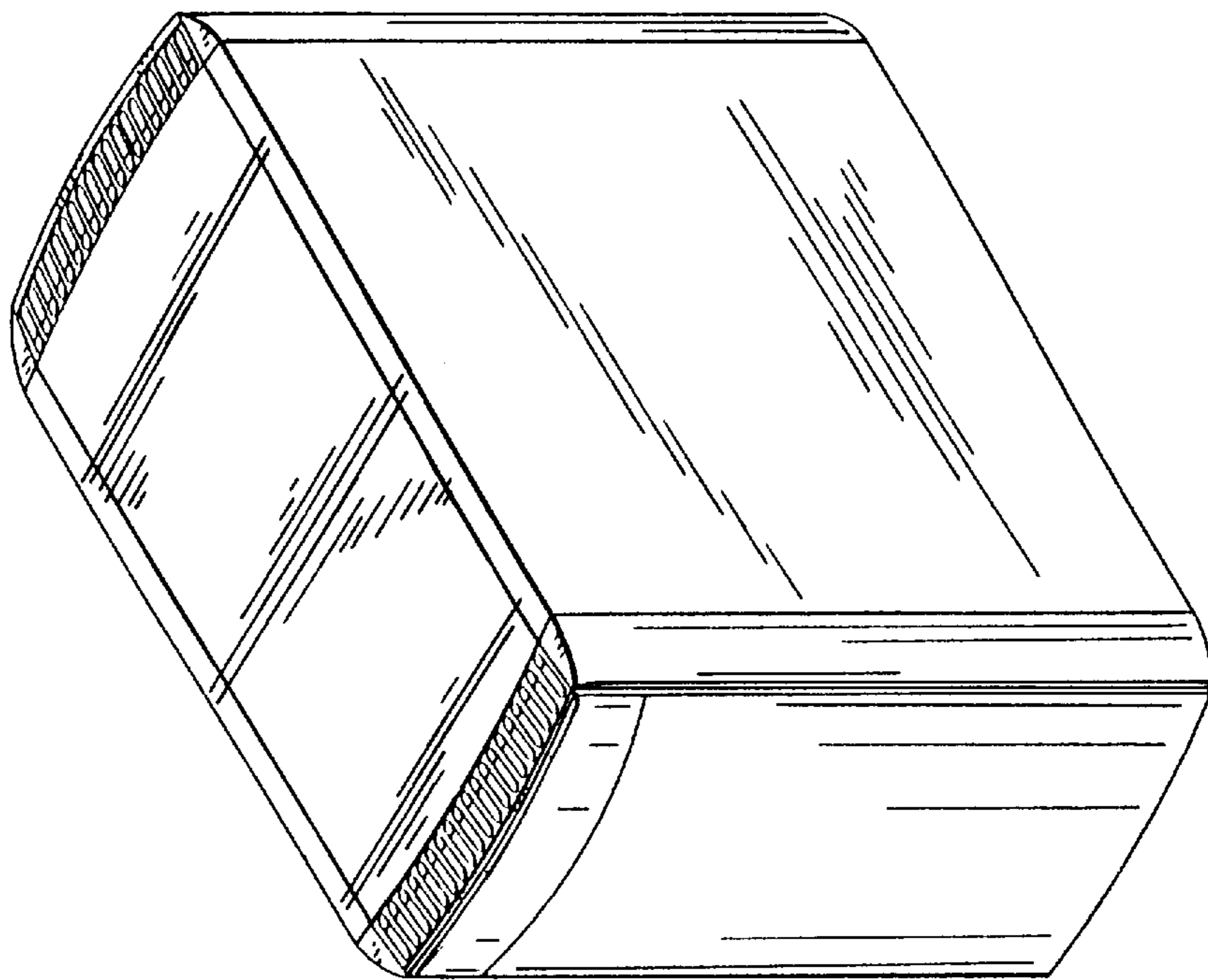


FIG. 3

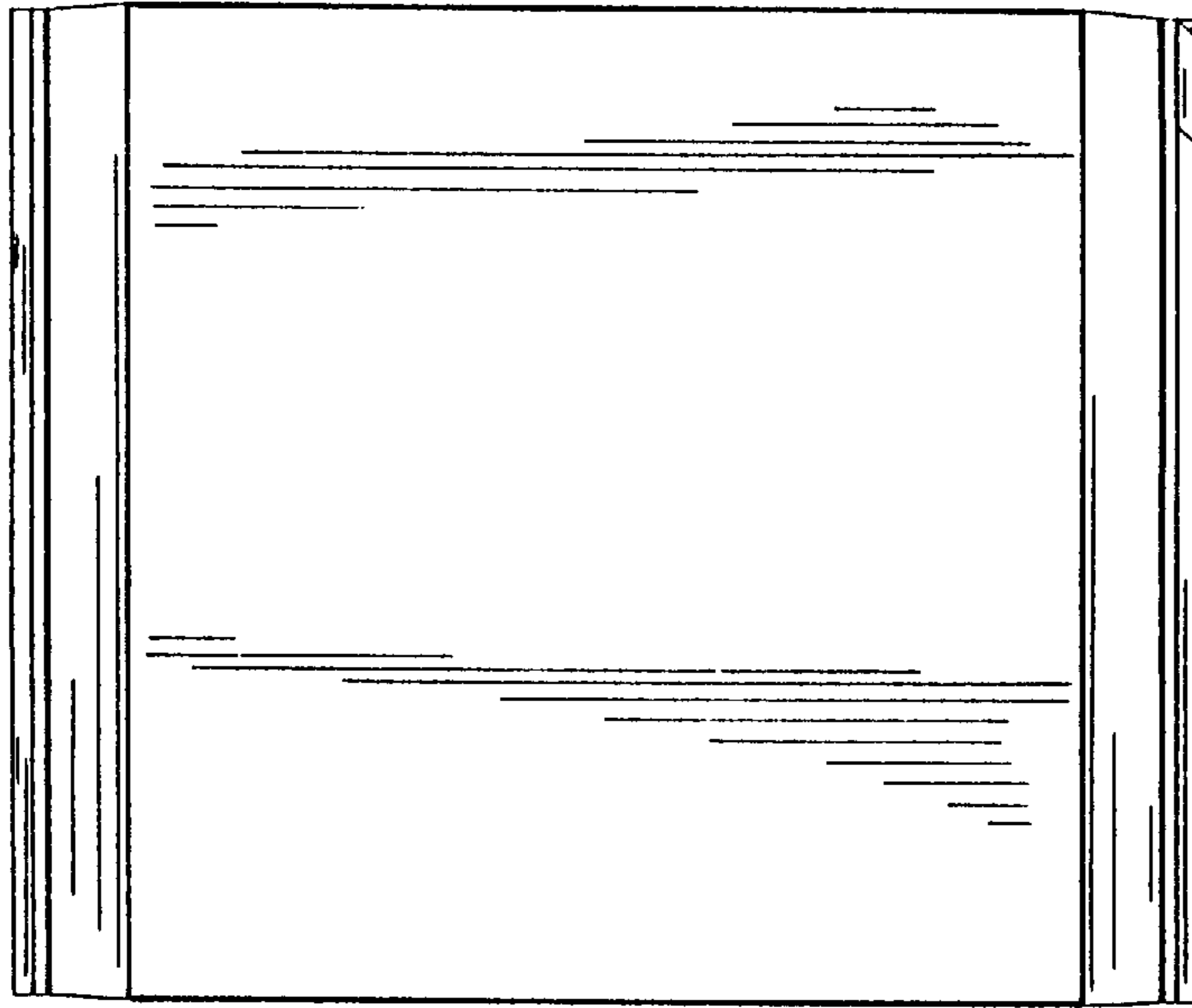


FIG. 4

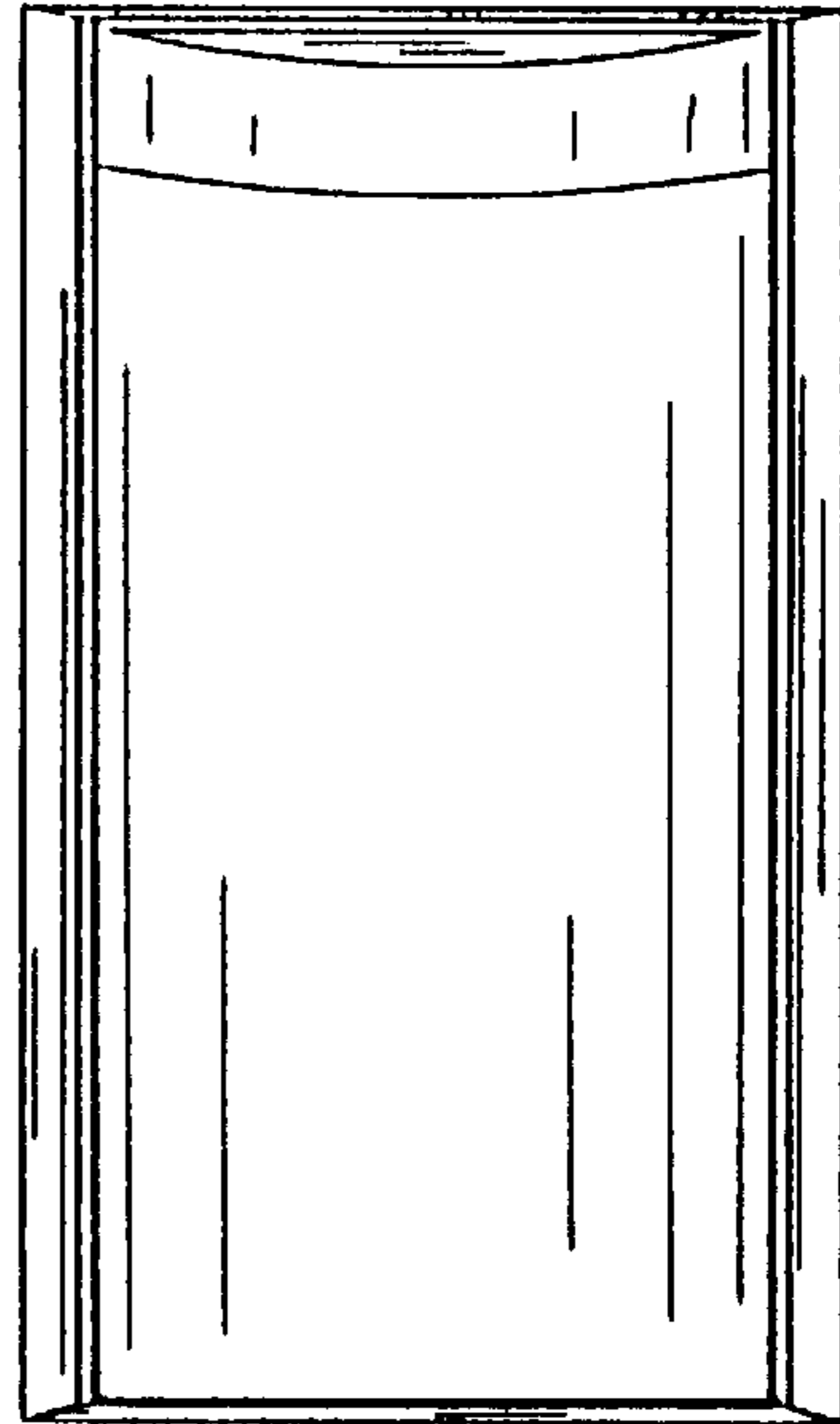


FIG. 5

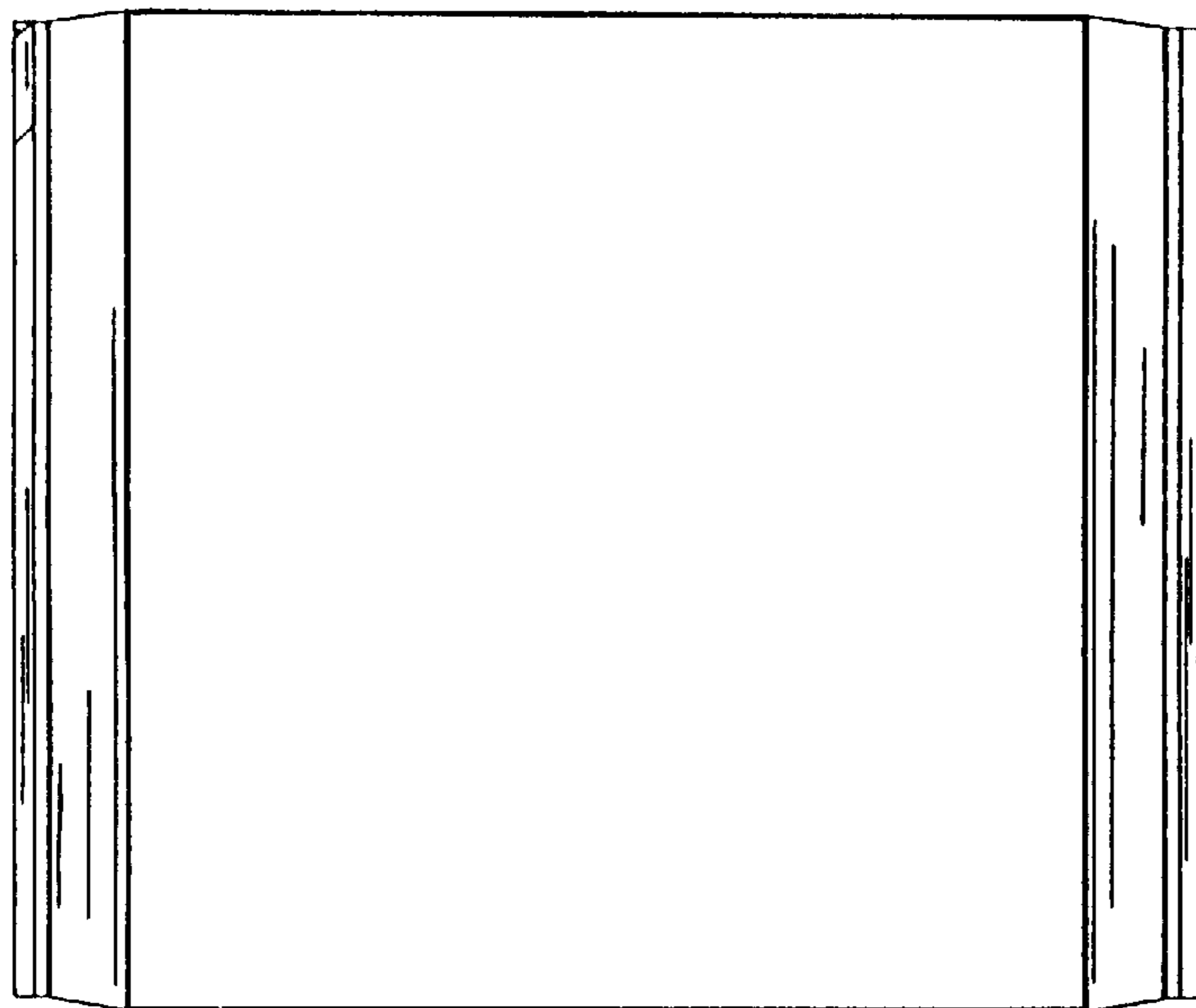


FIG. 6

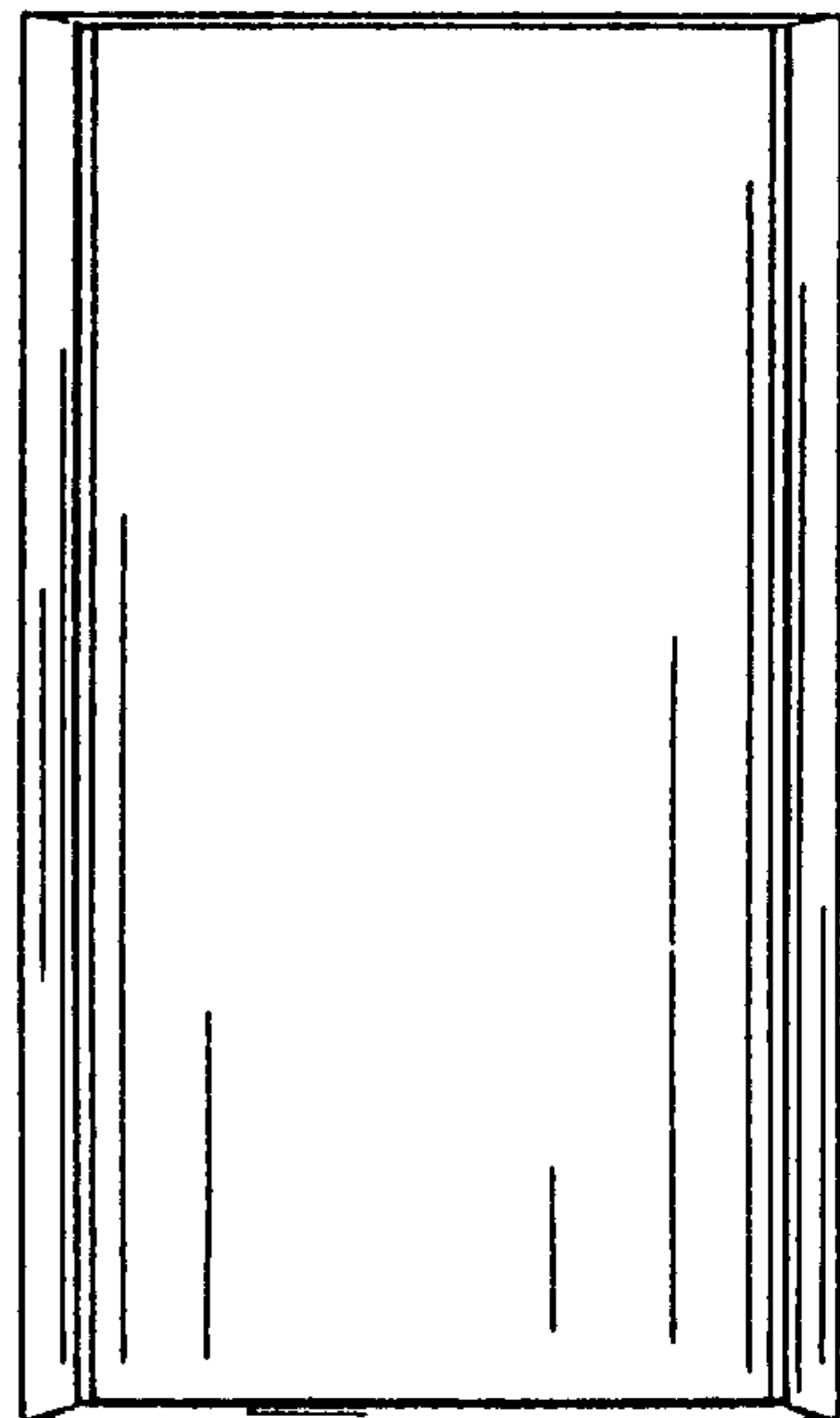


FIG. 7

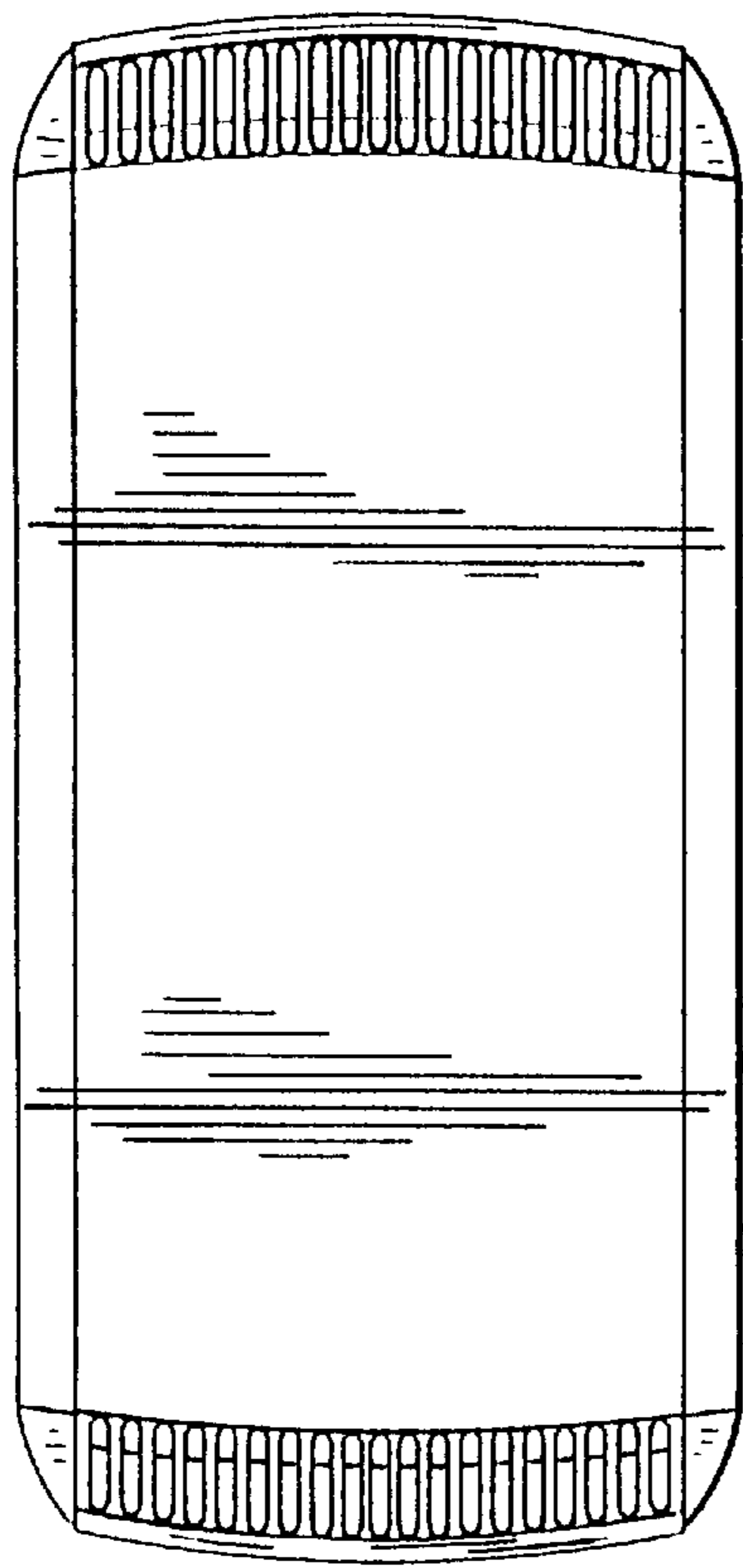


FIG. 8

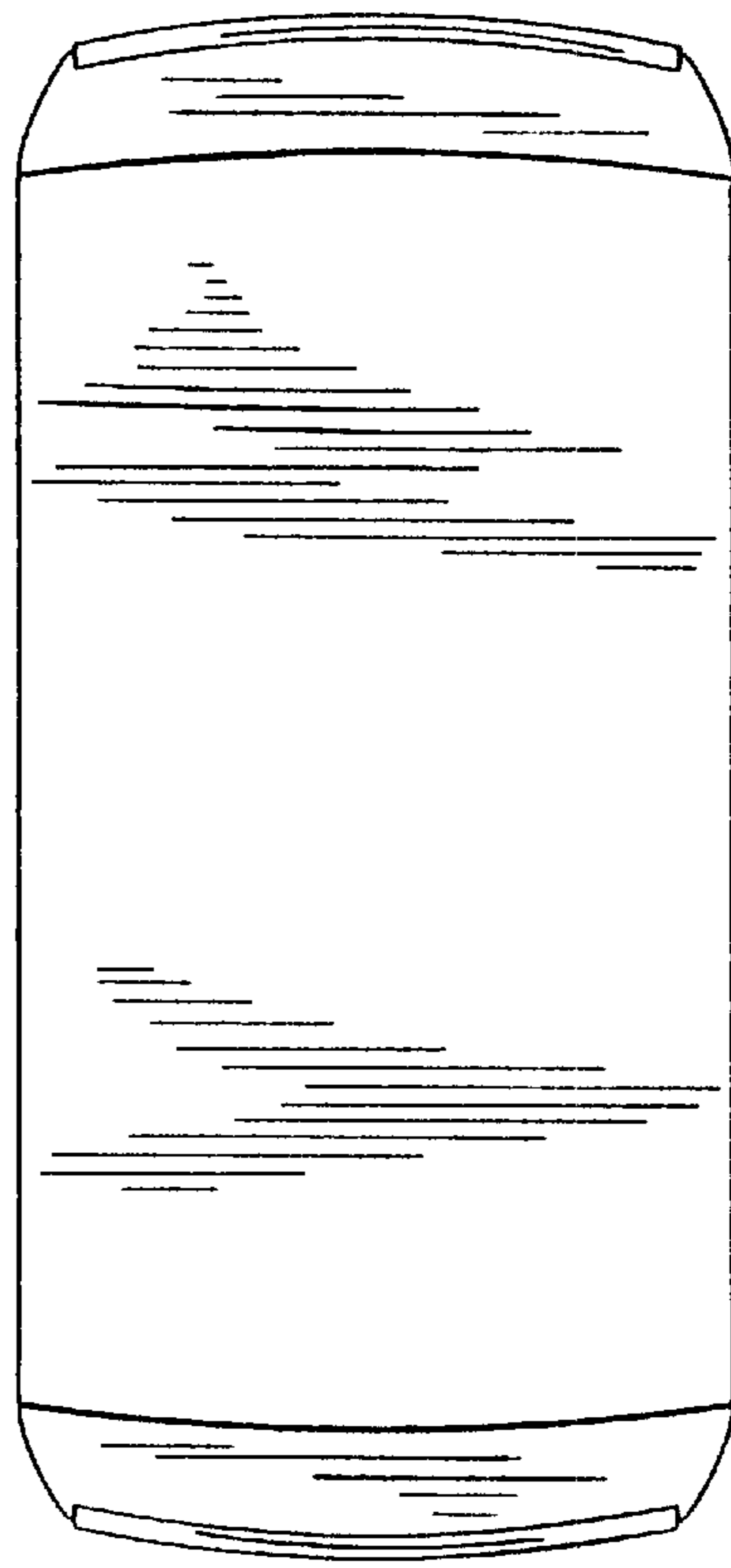


FIG. 10

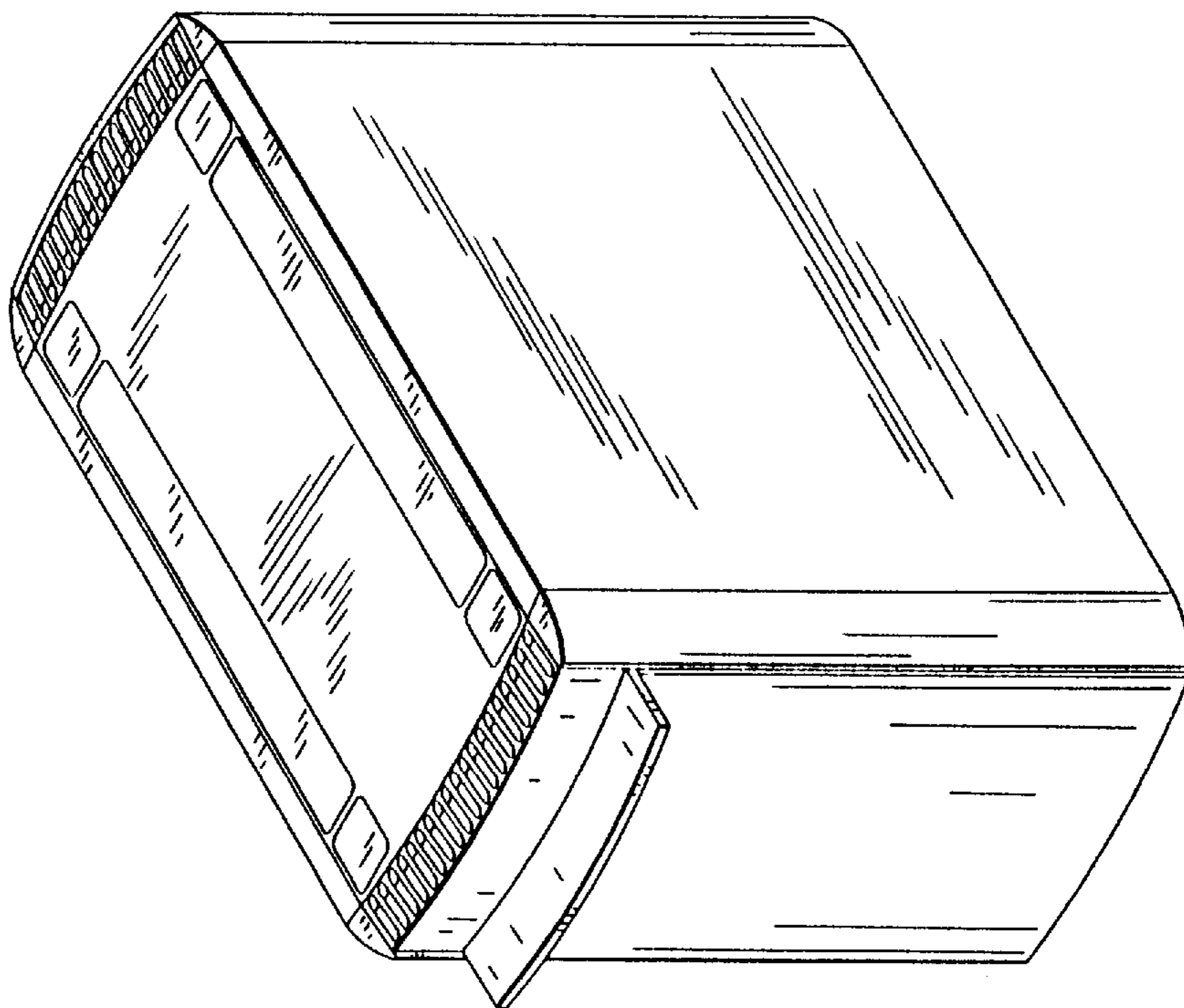


FIG. 9

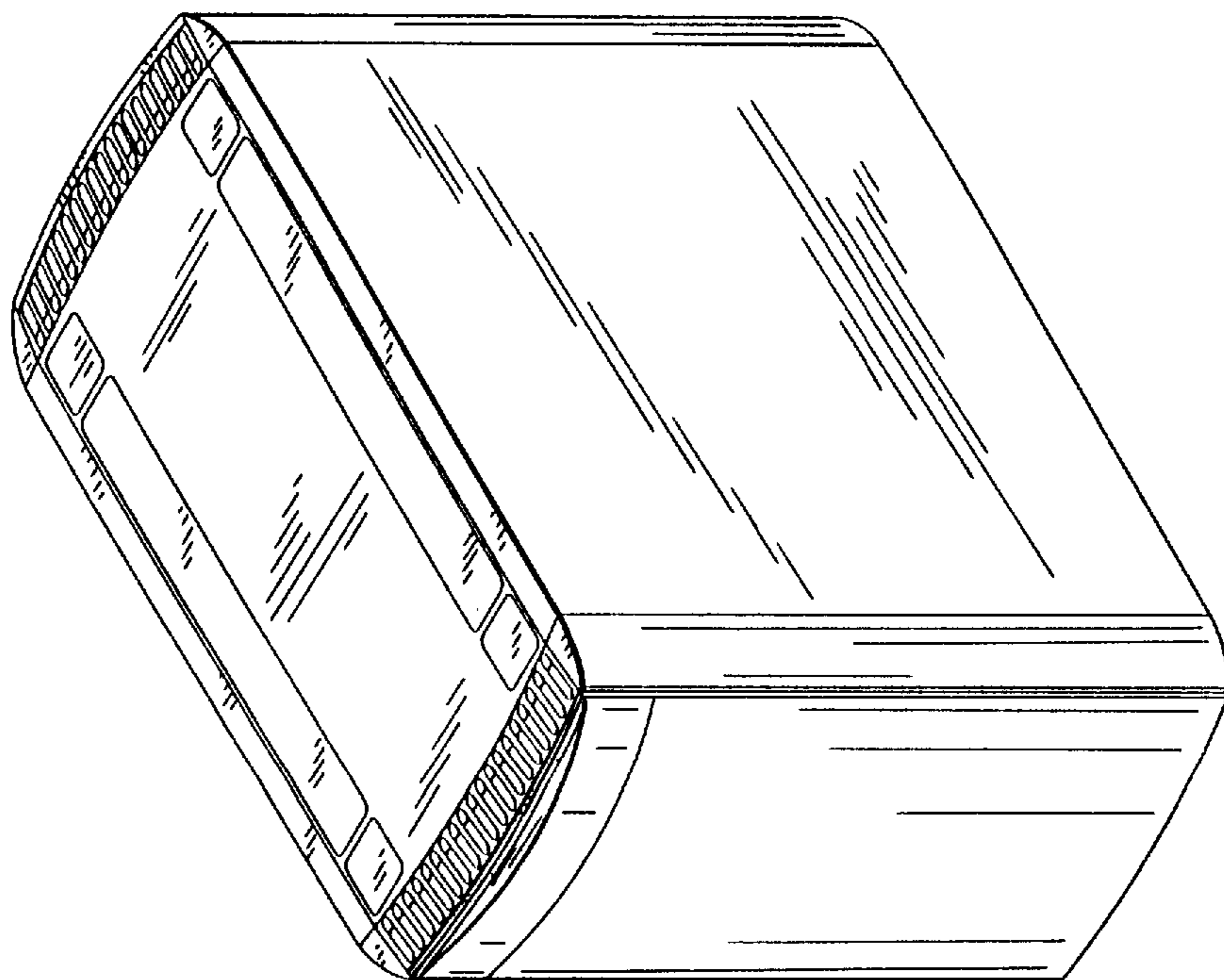


FIG. 11

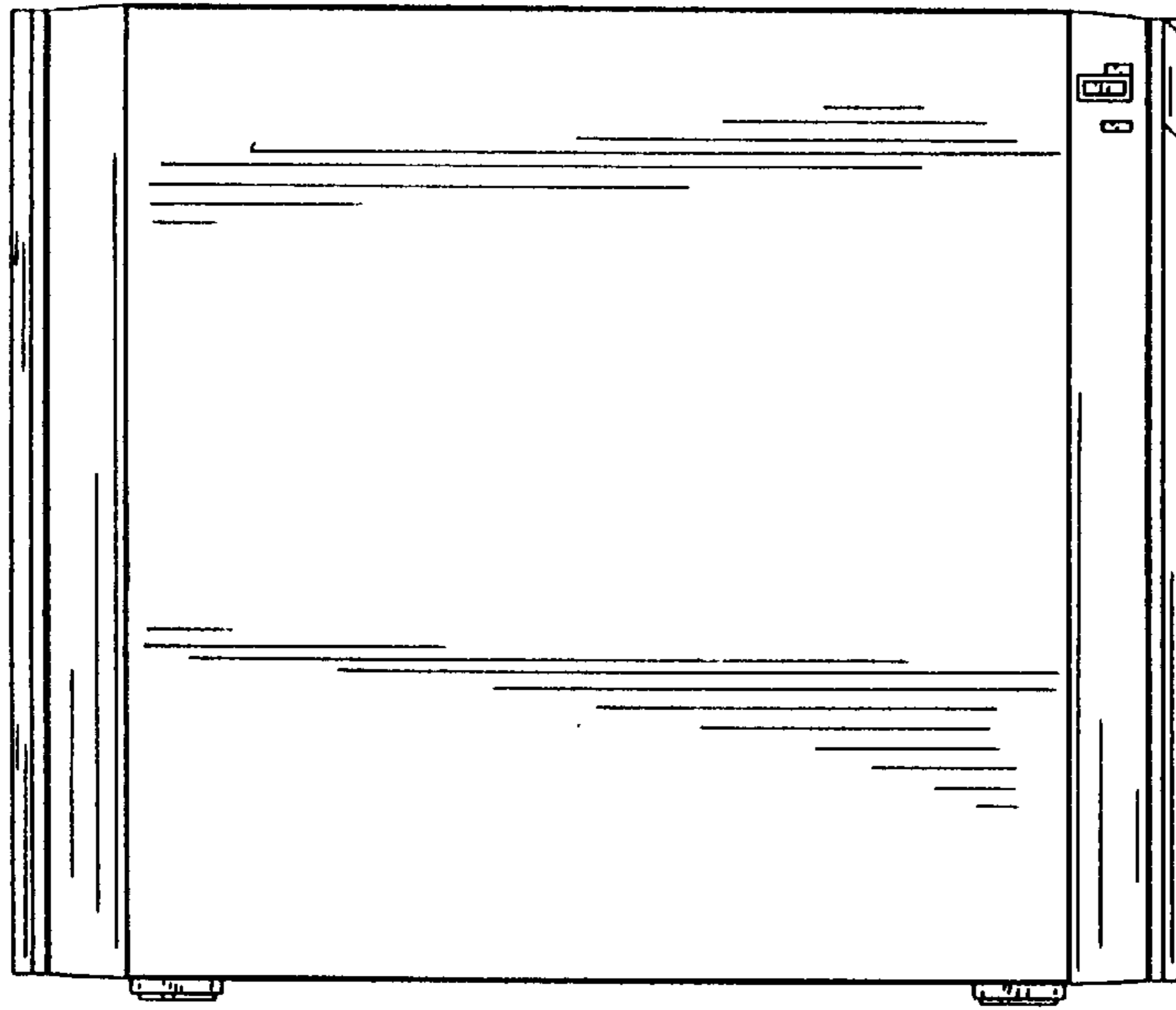


FIG. 12

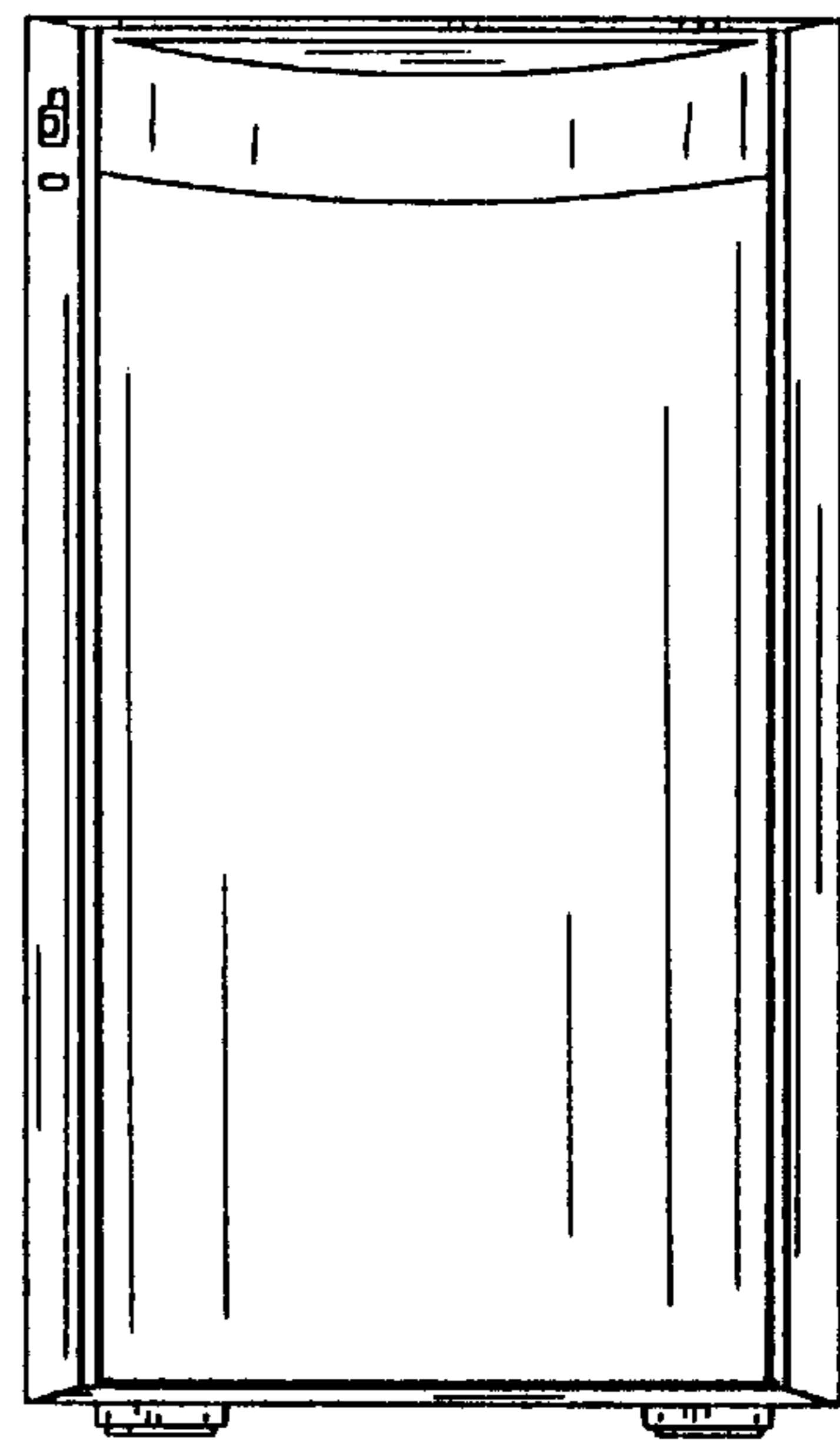


FIG. 13

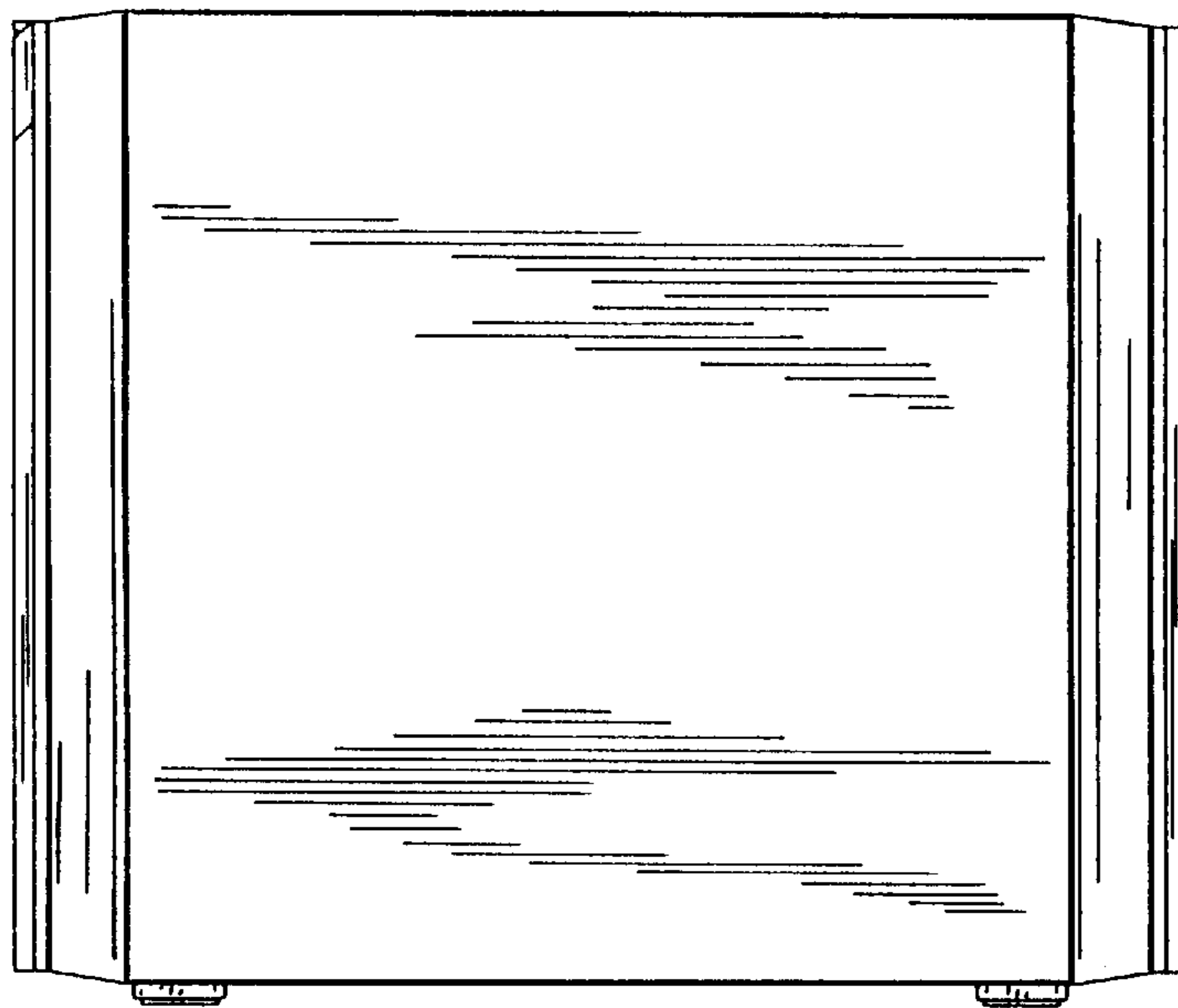


FIG. 14

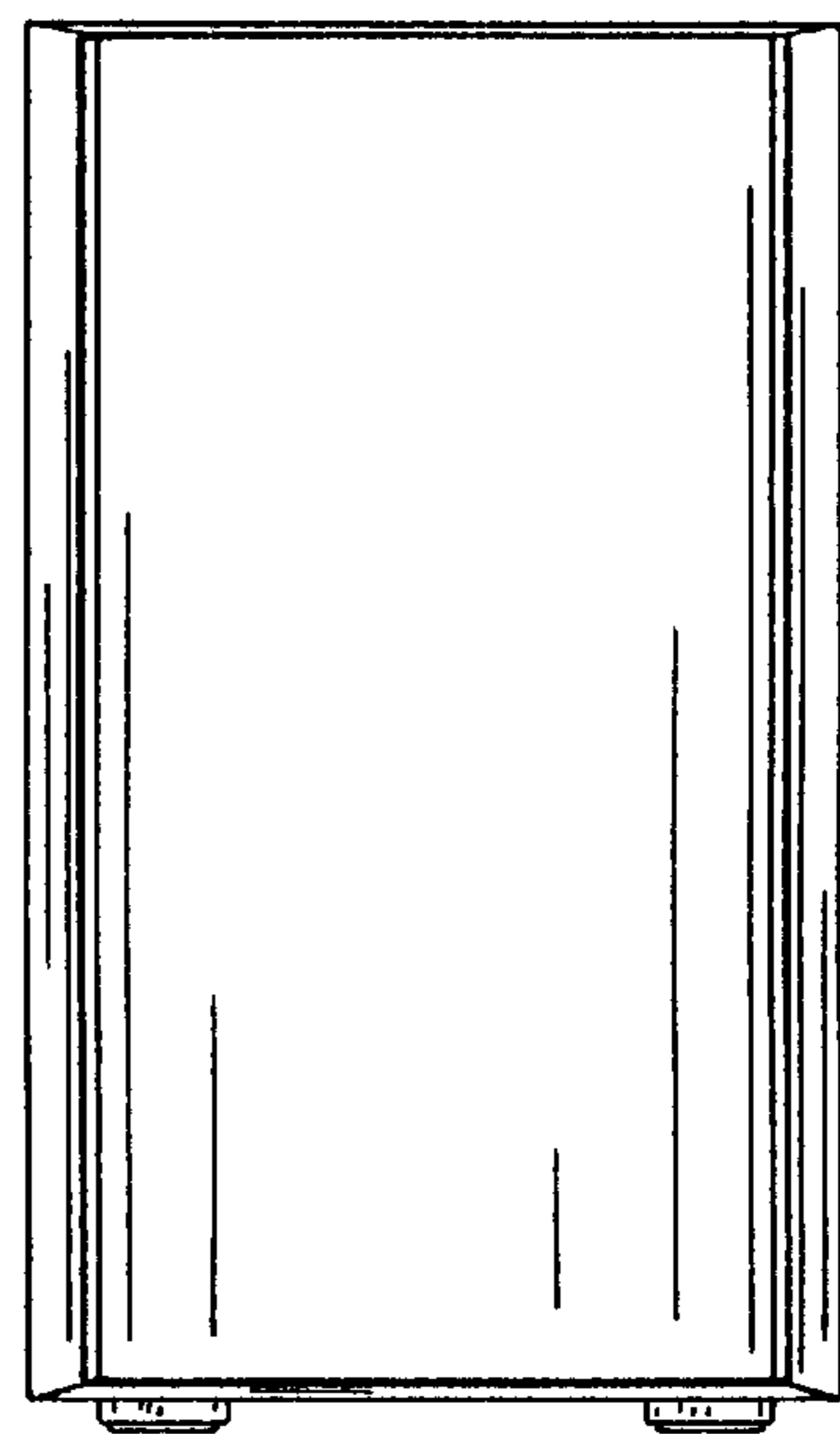


FIG. 15

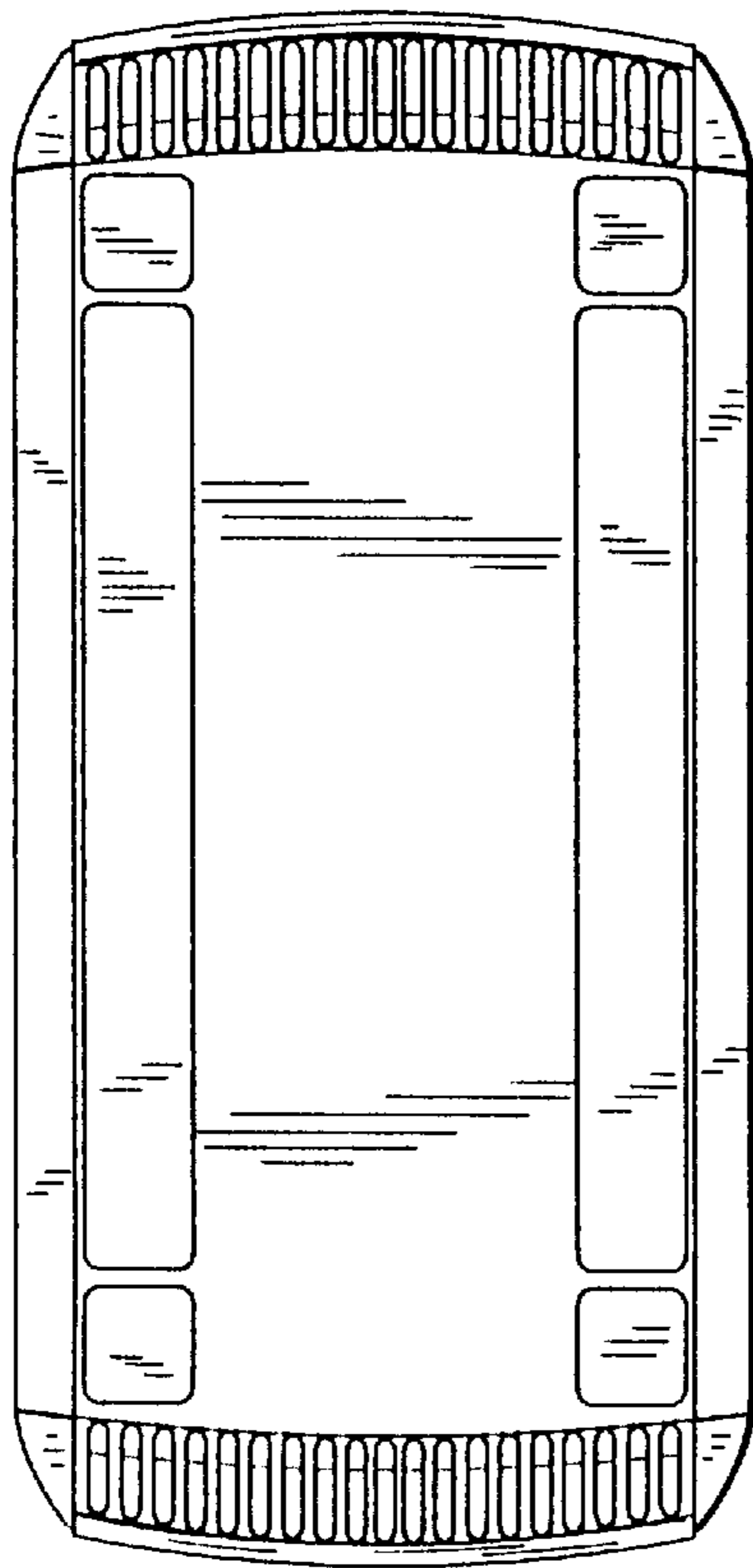
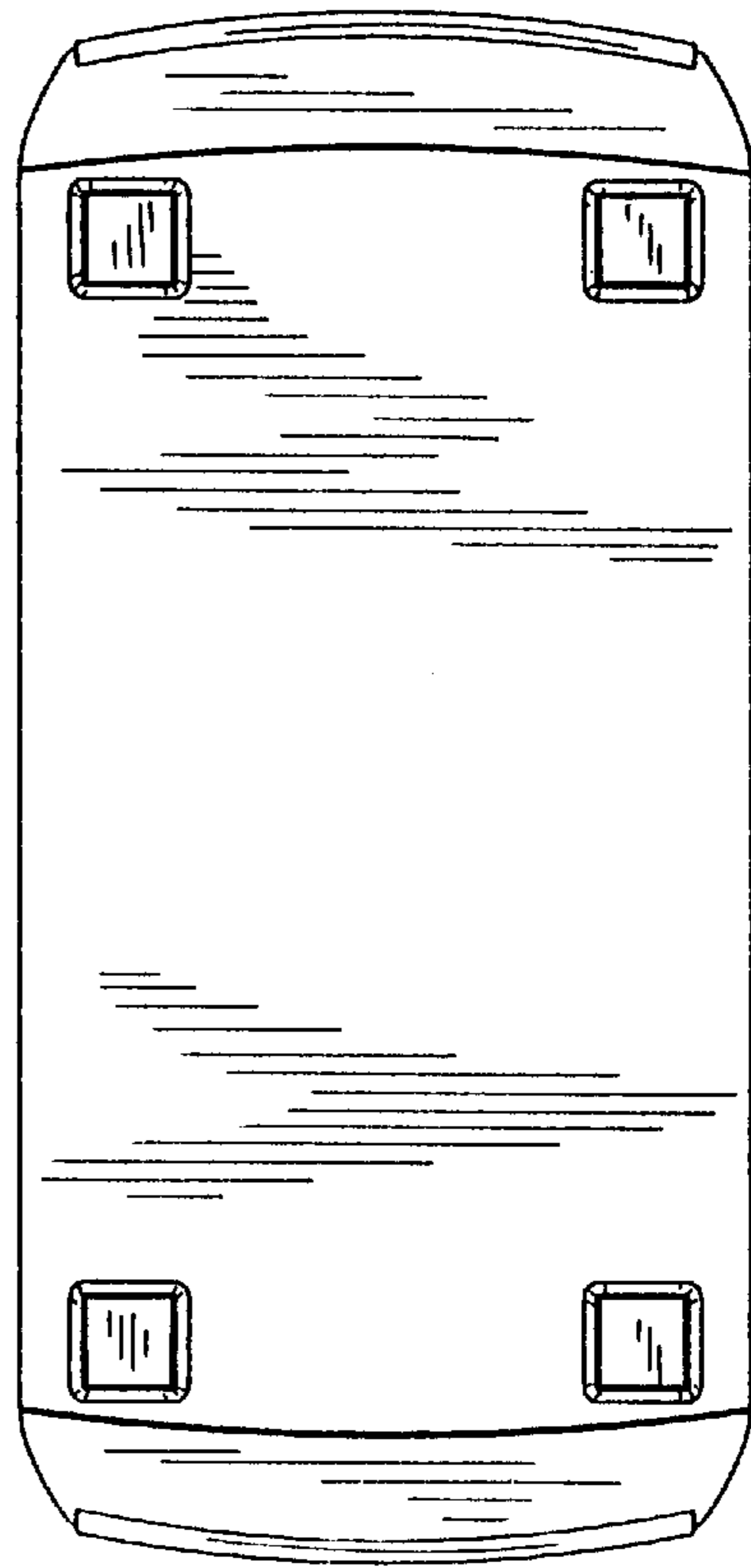


FIG. 16



UNITED STATES PATENT AND TRADEMARK OFFICE
CERTIFICATE OF CORRECTION

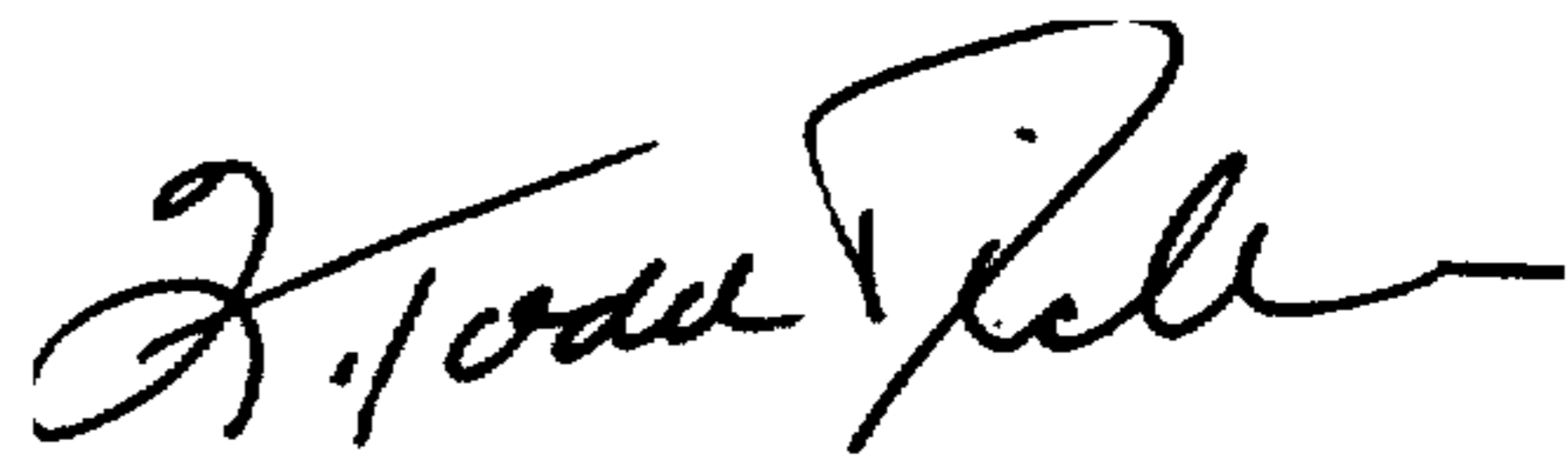
PATENT NO. : Des. 401,573
DATED : November 24, 1998
INVENTOR(S) : Teiyu Goto

It is certified that error appears in the above-identified patent and that said Letters Patent is hereby corrected as shown below:

On the Title Page, Item [*] Notice, delete "The term of this patent shall not extend beyond the expiration date of Pat. No. 5,470,942." and replace with ----The term of this patent subsequent to February 3, 2012 has been disclaimed.----

Signed and Sealed this
Fourteenth Day of September, 1999

Attest:



Q. TODD DICKINSON

Attesting Officer

Acting Commissioner of Patents and Trademarks