



US00D401570S

United States Patent [19]
Lee

[11] **Patent Number: Des. 401,570**

[45] **Date of Patent: **Nov. 24, 1998**

[54] **COMPUTER CASE**

D. 370,211 5/1996 Lee D14/102

[76] Inventor: **Chi Hsiu Lee**, P.O. Box 82-144, Taipei, Taiwan

Primary Examiner—Freda Nunn
Attorney, Agent, or Firm—Alfred Lei

[**] Term: **14 Years**

[57] **CLAIM**

[21] Appl. No.: **62,759**

The ornamental design for a computer case, as shown and described.

[22] Filed: **Nov. 22, 1996**

DESCRIPTION

[51] **LOC (6) Cl.** **14-02**

[52] **U.S. Cl.** **D14/102**

[58] **Field of Search** D14/100, 102, D14/107-109; D13/162, 184, 199; D6/432, 436, 445, 448; 312/208.1, 223.2, 223.3, 254, 292; 360/99.12; 361/694, 696

FIG. 1 is a perspective view of a computer case showing my new design;

FIG. 2 is a front view thereof;

FIG. 3 is a left side elevational view thereof;

FIG. 4 is a right side elevational view thereof;

FIG. 5 is a top plan view thereof;

FIG. 6 is a bottom plan view thereof; and,

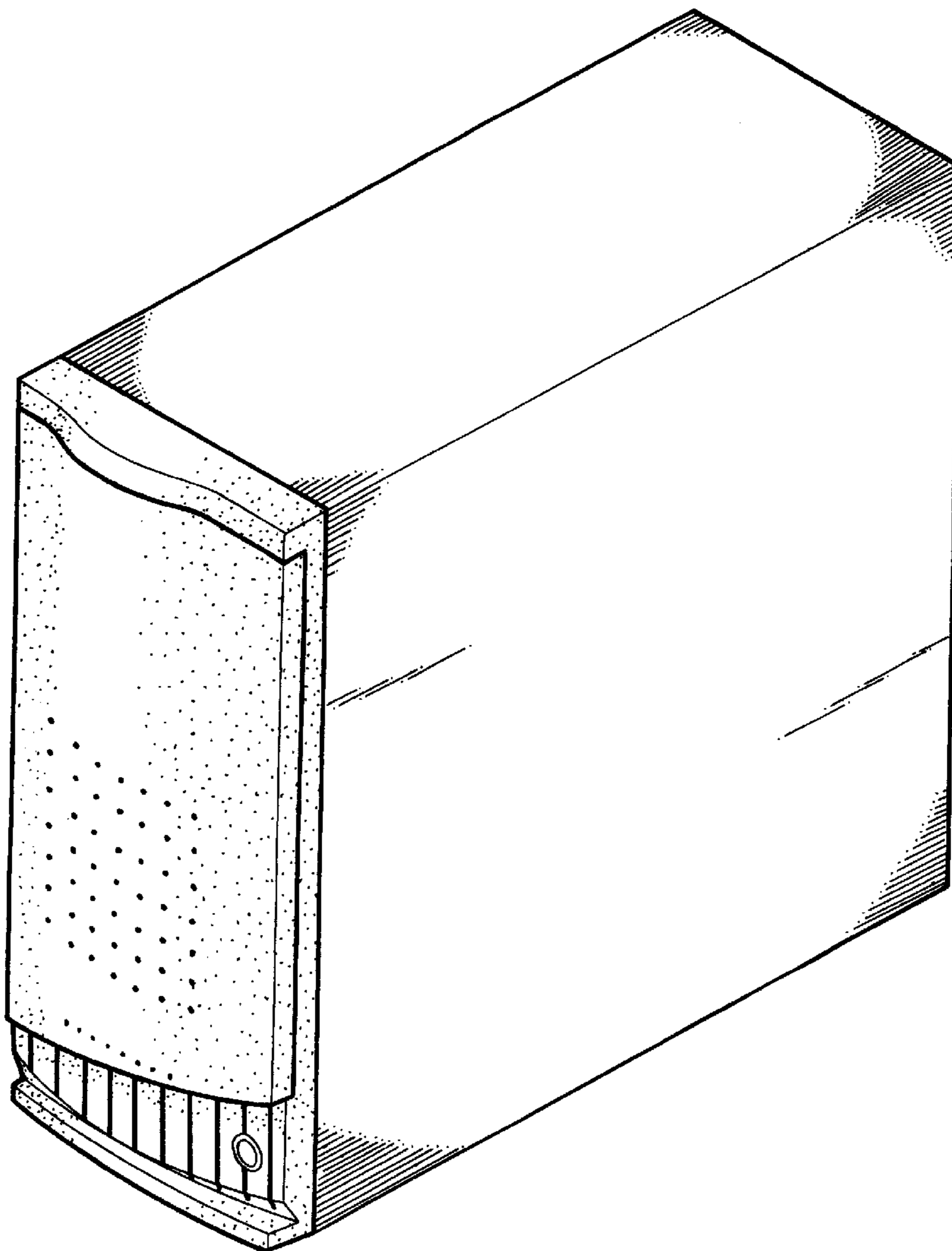
FIG. 7 is a rear view thereof.

[56] **References Cited**

U.S. PATENT DOCUMENTS

D. 348,051 6/1994 Noble D14/102

1 Claim, 4 Drawing Sheets



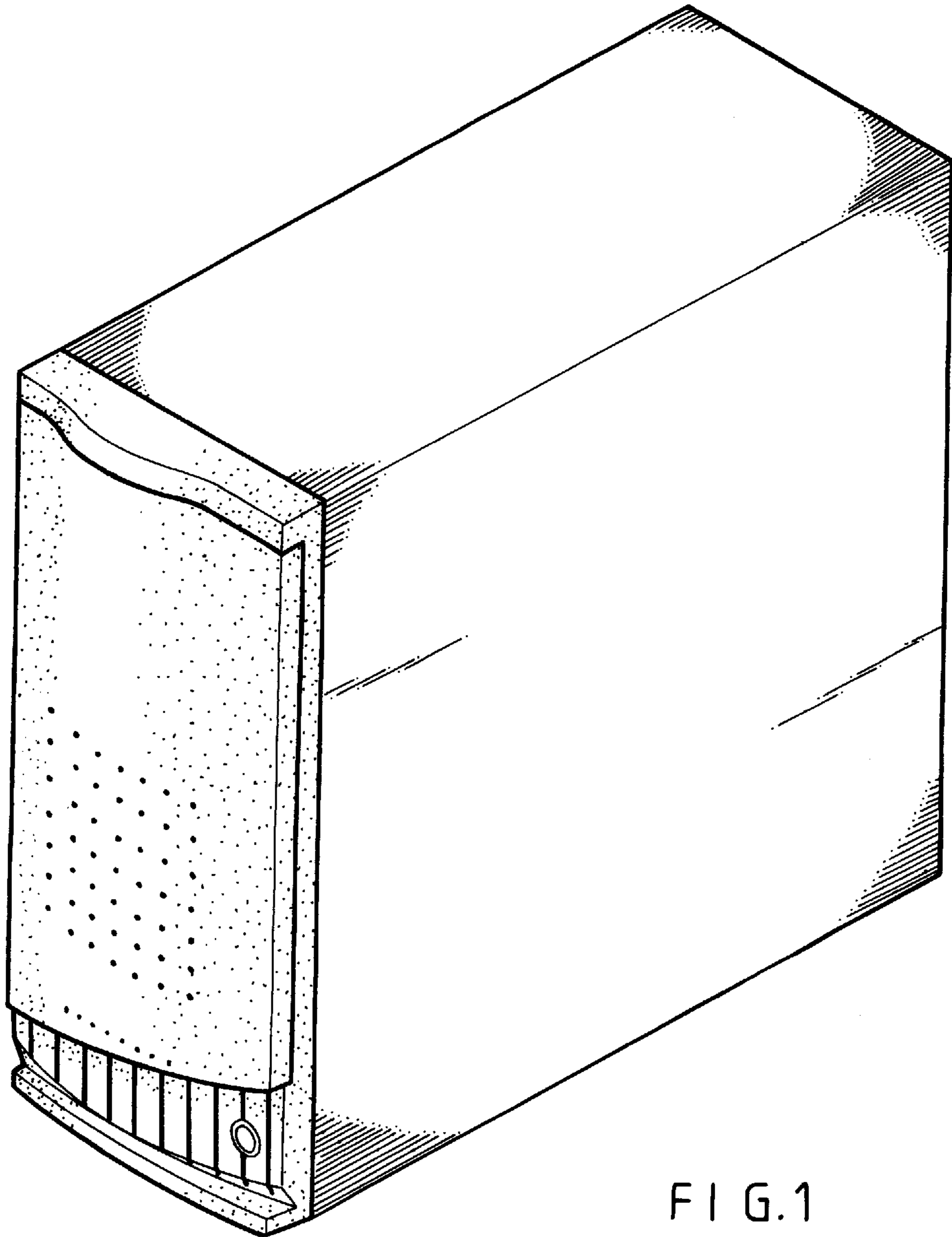


FIG. 1

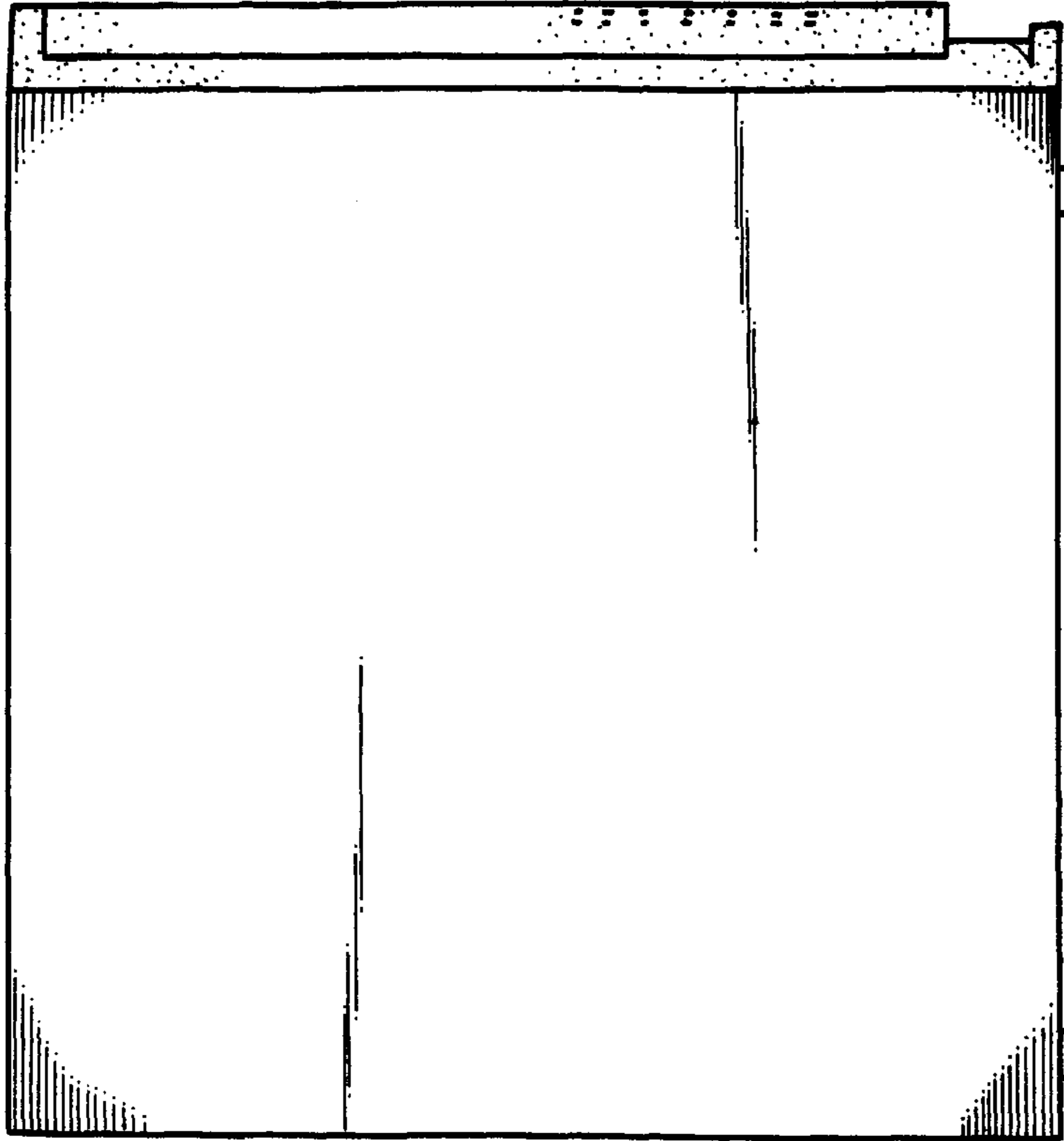


FIG. 3

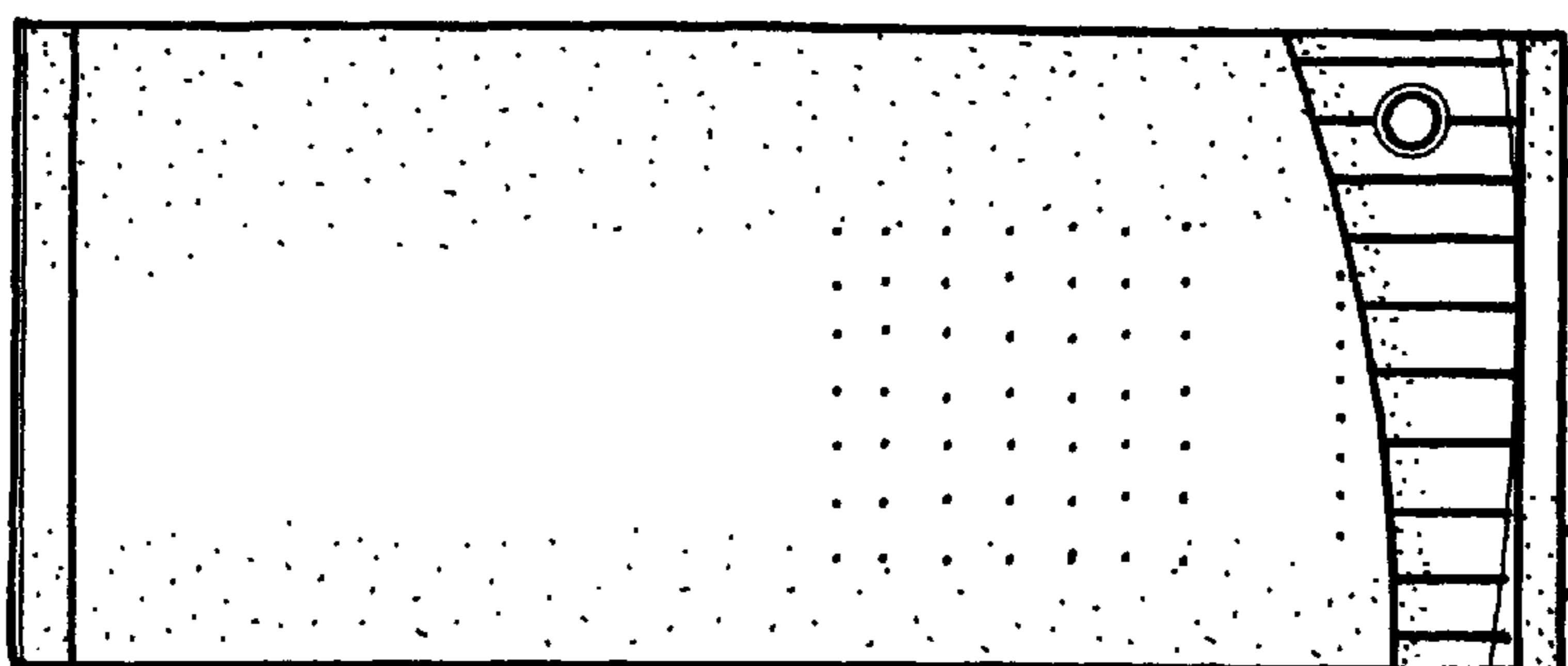


FIG. 2

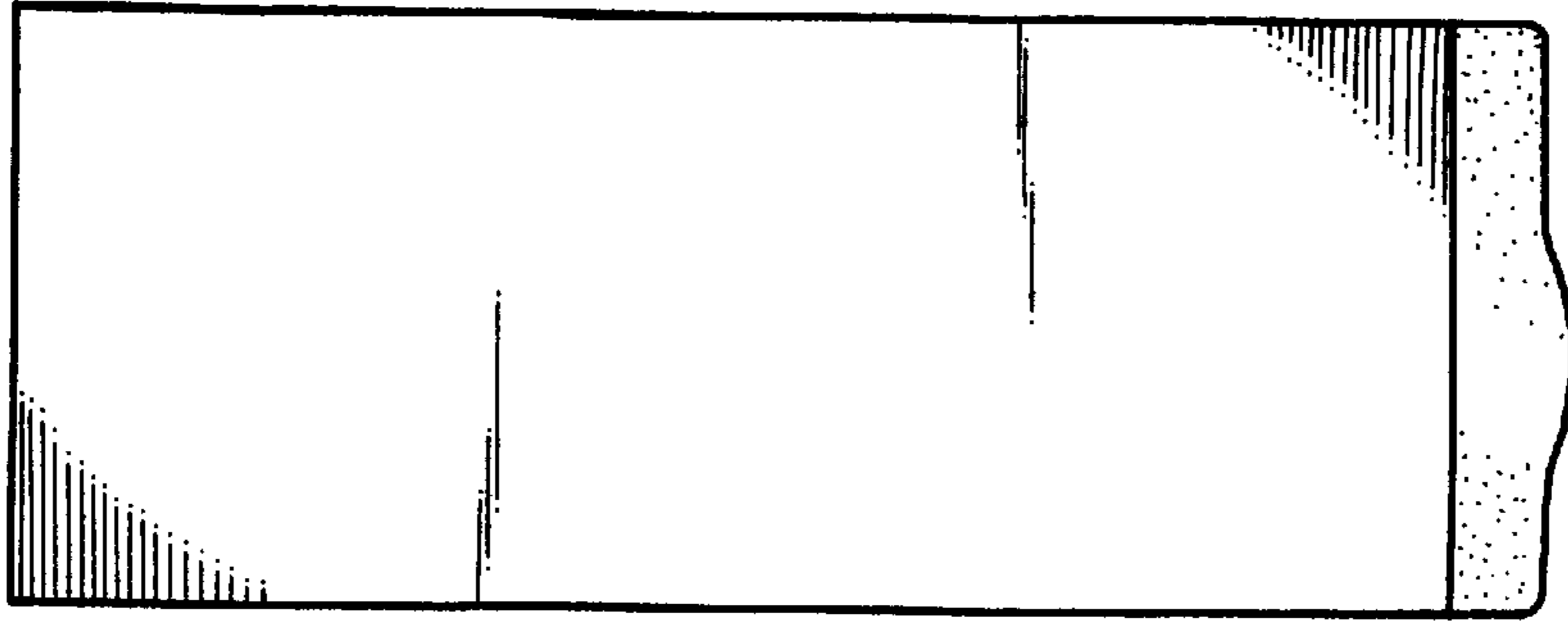


FIG. 5

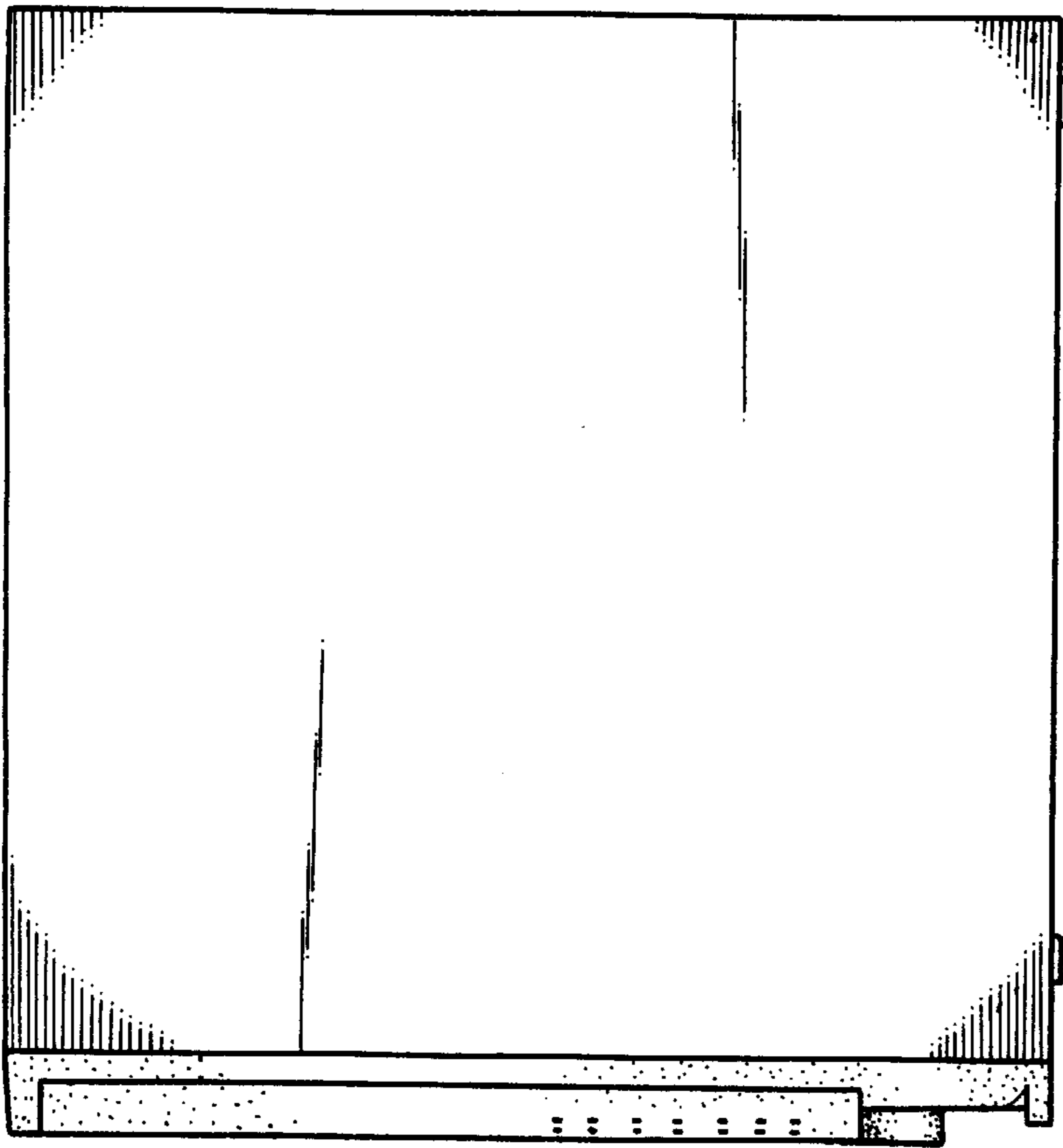


FIG. 4

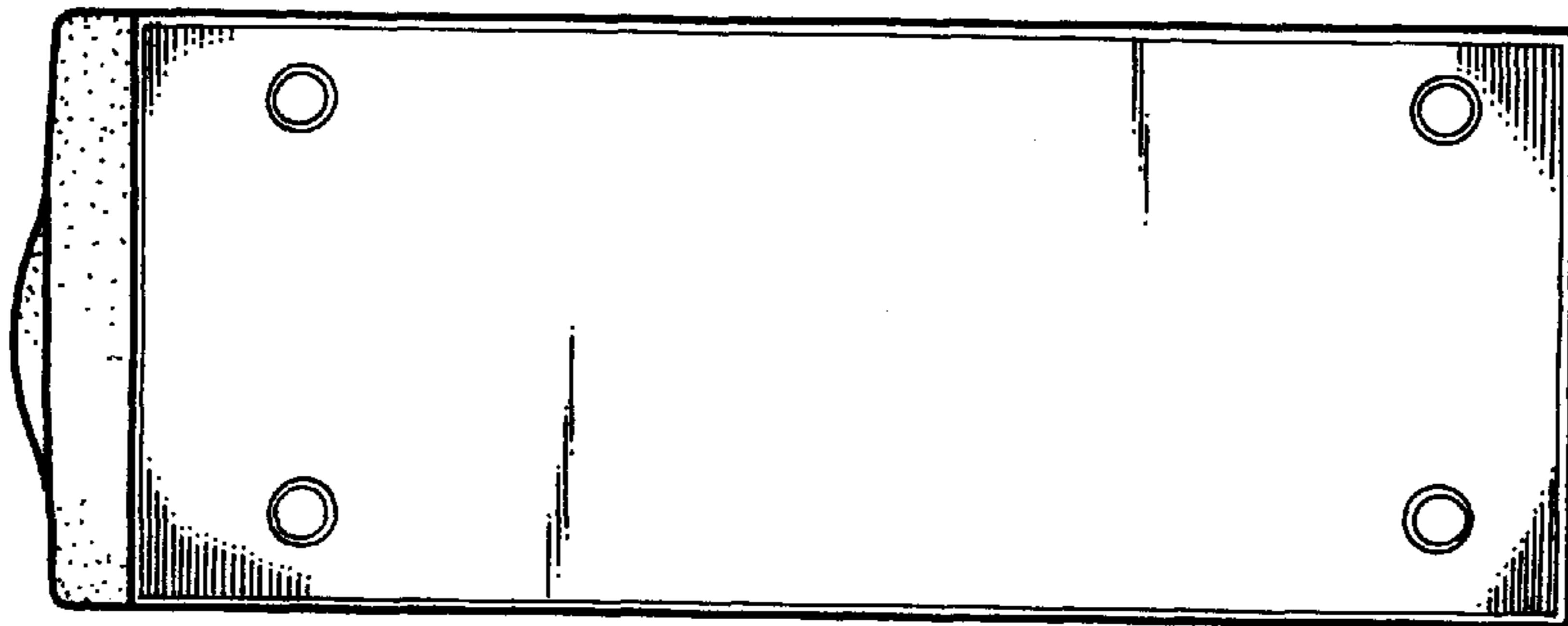


FIG. 6

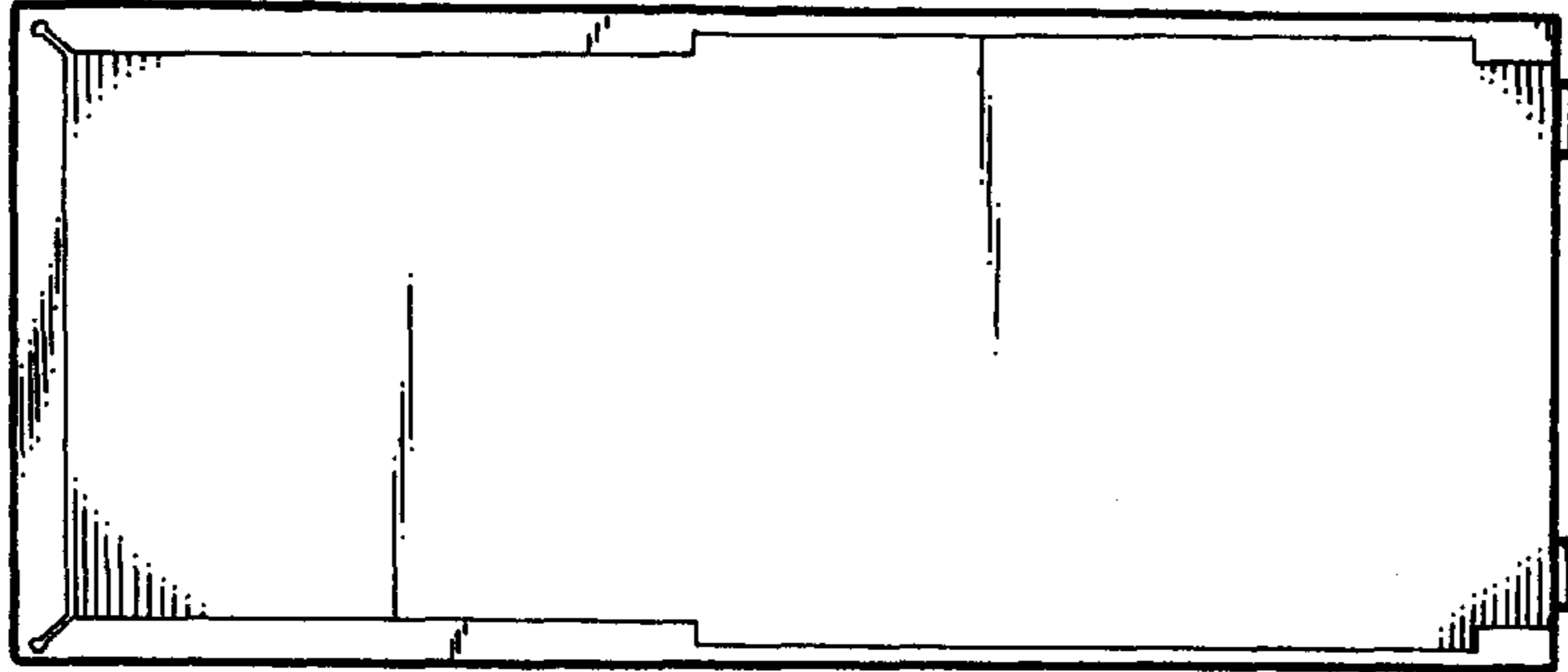


FIG. 7