



US00D401566S

United States Patent [19]

[11] **Patent Number: Des. 401,566**

Gesmondi et al.

[45] **Date of Patent: **Nov. 24, 1998**

[54] **CABLE MANAGEMENT ENCLOSURE**

[57] **CLAIM**

[75] Inventors: **Michael J. Gesmondi**, Thomaston;
John A. Siemon, Woodbury; **Robert C. Carlson, Jr.**, Torrington, all of Conn.;
Conrad L. Ott, Port Jefferson Station, N.Y.

The ornamental design for a cable management enclosure, as shown and described.

[73] Assignee: **The Siemon Company**, Watertown, Conn.

DESCRIPTION

[**] Term: **14 Years**

FIG. 1 shows a perspective view of the cable management enclosure cover;

[21] Appl. No.: **54,878**

FIG. 2 shows a front plan view of the cover;

[22] Filed: **May 23, 1996**

FIG. 3 shows a left side plan view of the cover, the right side being a mirror image;

[51] **LOC (6) Cl.** **13-03**

FIG. 4 shows a top plan view of the cover;

[52] **U.S. Cl.** **D13/177**

FIG. 5 shows a back view of the cover;

[58] **Field of Search** D13/158, 177,
D13/184; 174/17 R, 17.08, 19, 50, 50.52

FIG. 6 shows a bottom view of the cover;

FIG. 7 shows a perspective view of the cable management enclosure base;

[56] **References Cited**

U.S. PATENT DOCUMENTS

D. 388,400 12/1997 Rogers D13/177
3,683,314 8/1972 Elkins 174/50 X

FIG. 8 shows a rear view of the base;

FIG. 9 shows a right side view of the base, the left side being a mirror image;

FIG. 10 shows a front view of the base;

FIG. 11 shows a top view of the base;

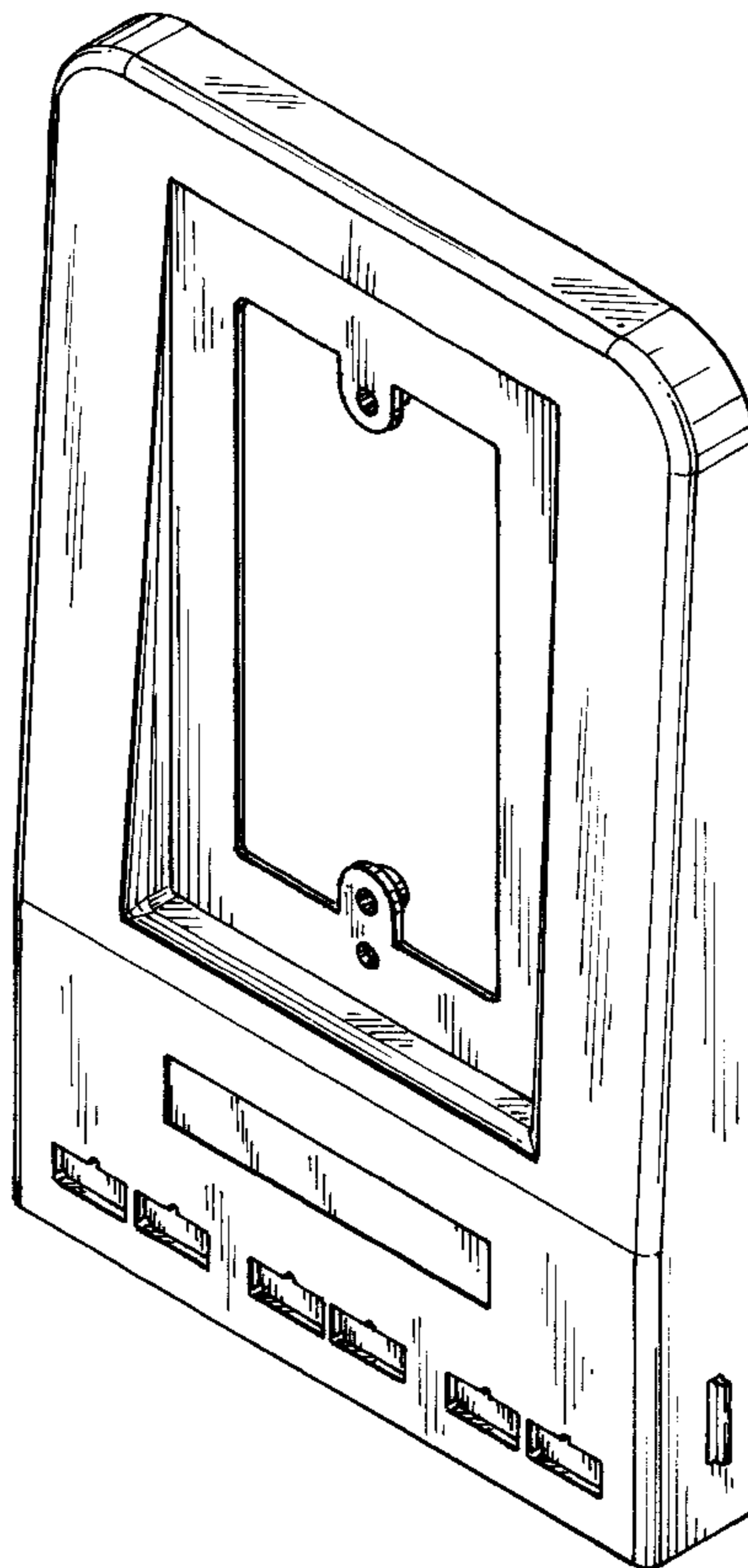
FIG. 12 shows a cross sectional view taken along line 12—12 of FIG. 11; and,

FIG. 13 shows a bottom view of the base.

Primary Examiner—Brian N. Vinson

Attorney, Agent, or Firm—Fishman, Dionne, Cantor & Colburn

1 Claim, 5 Drawing Sheets



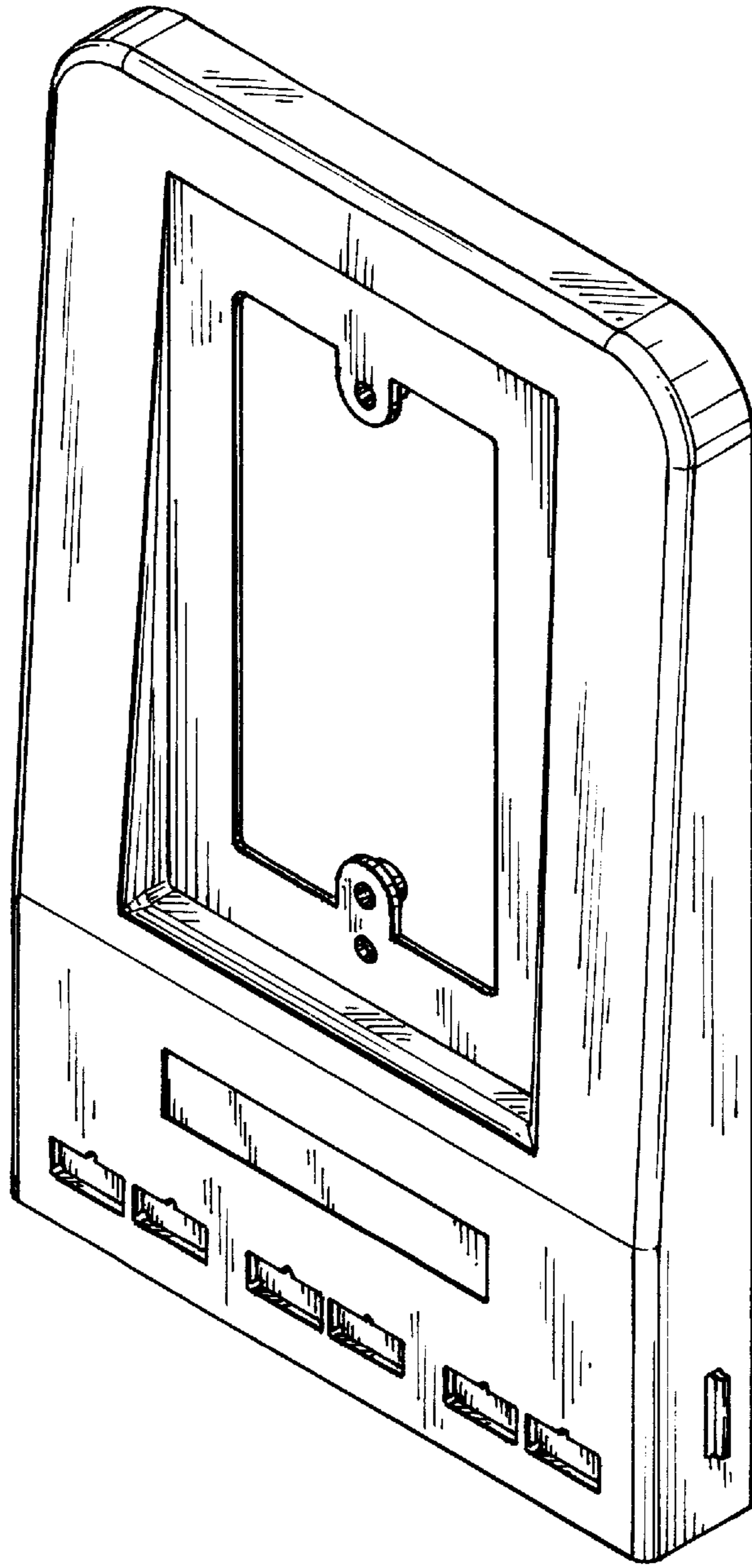


FIG. 1

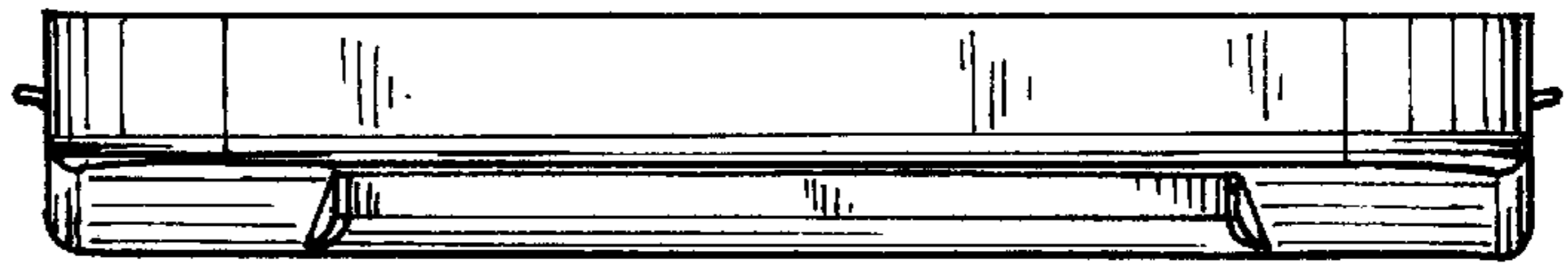


FIG. 4

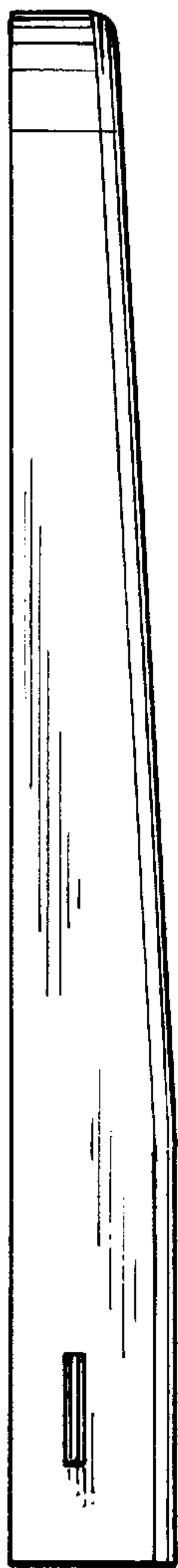


FIG. 3

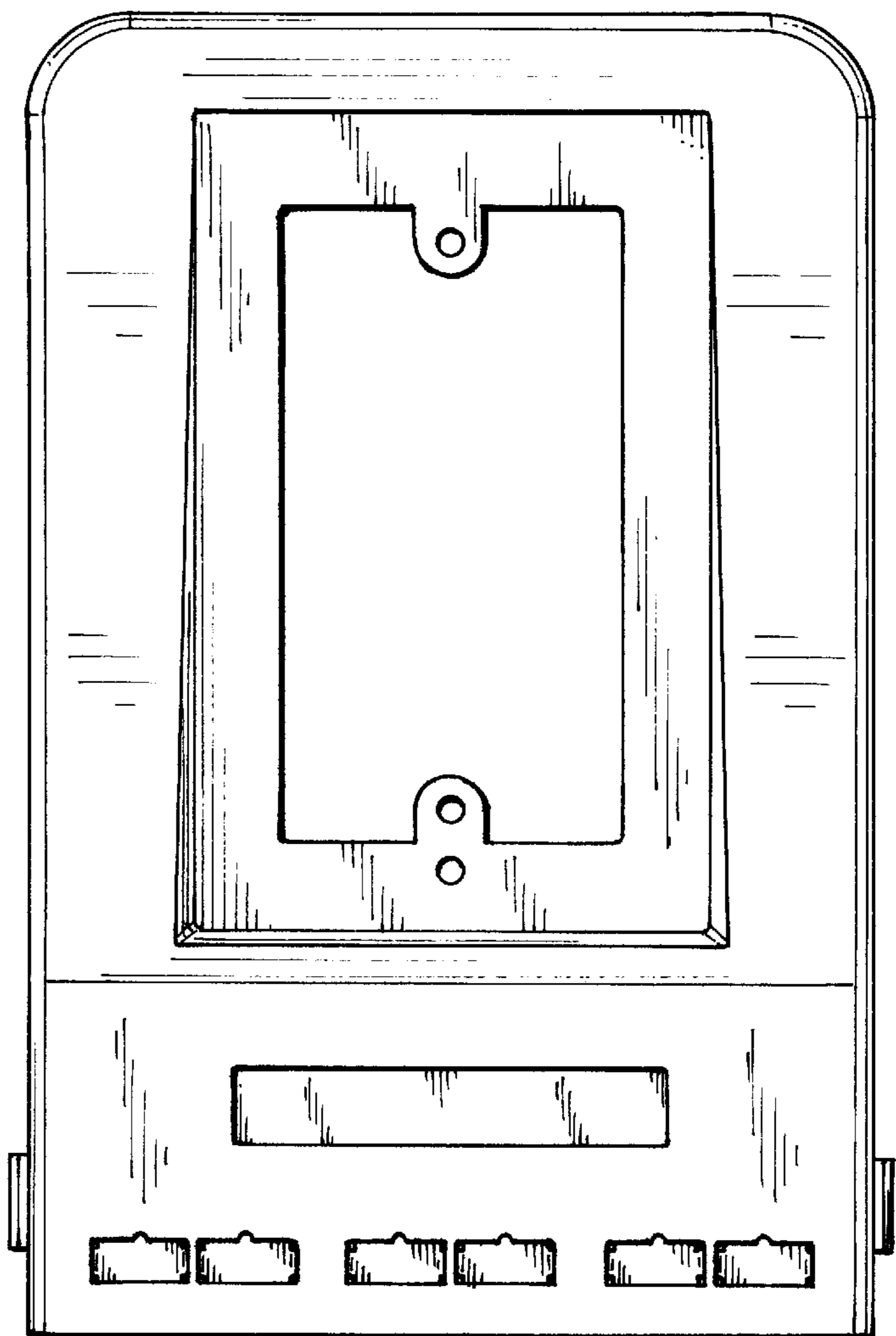


FIG. 2

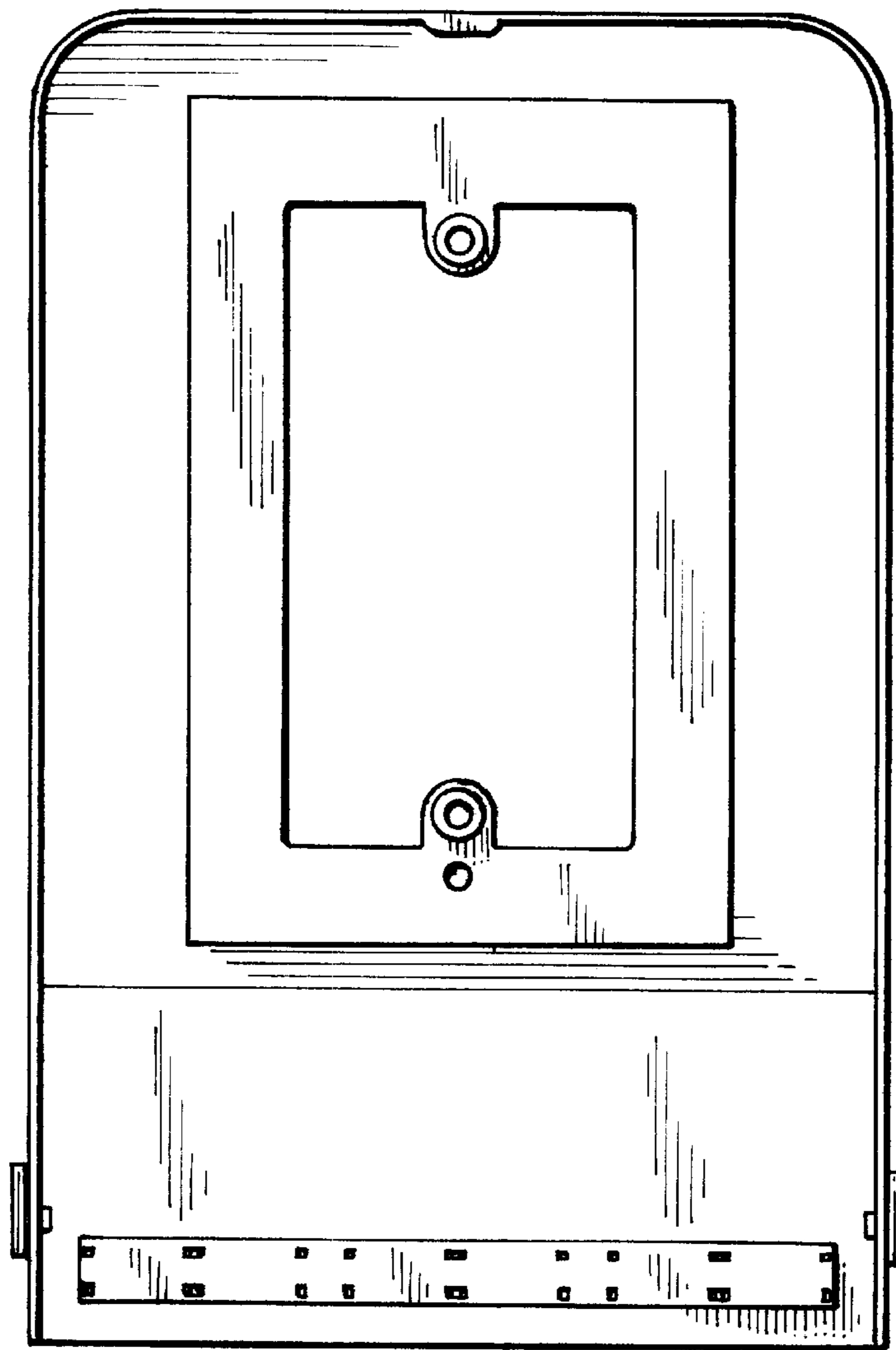


FIG. 5

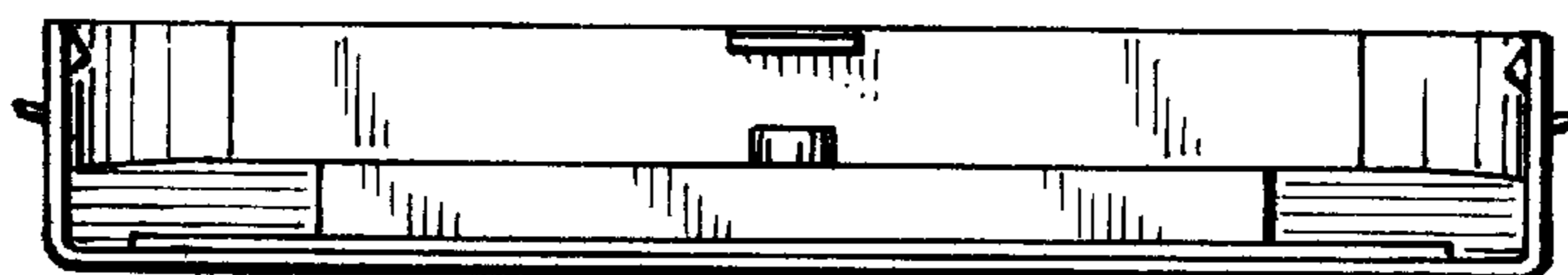


FIG. 6

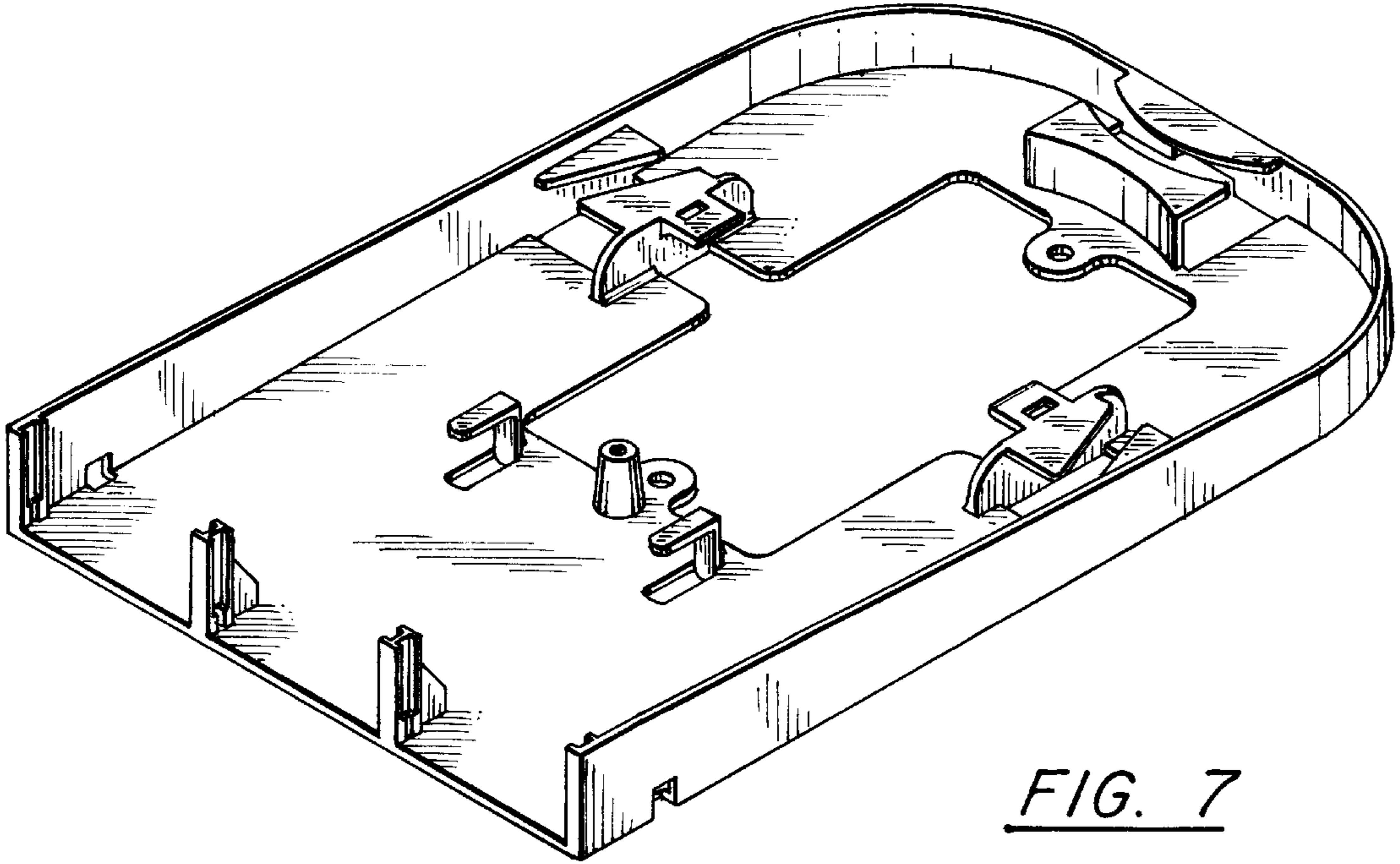


FIG. 7

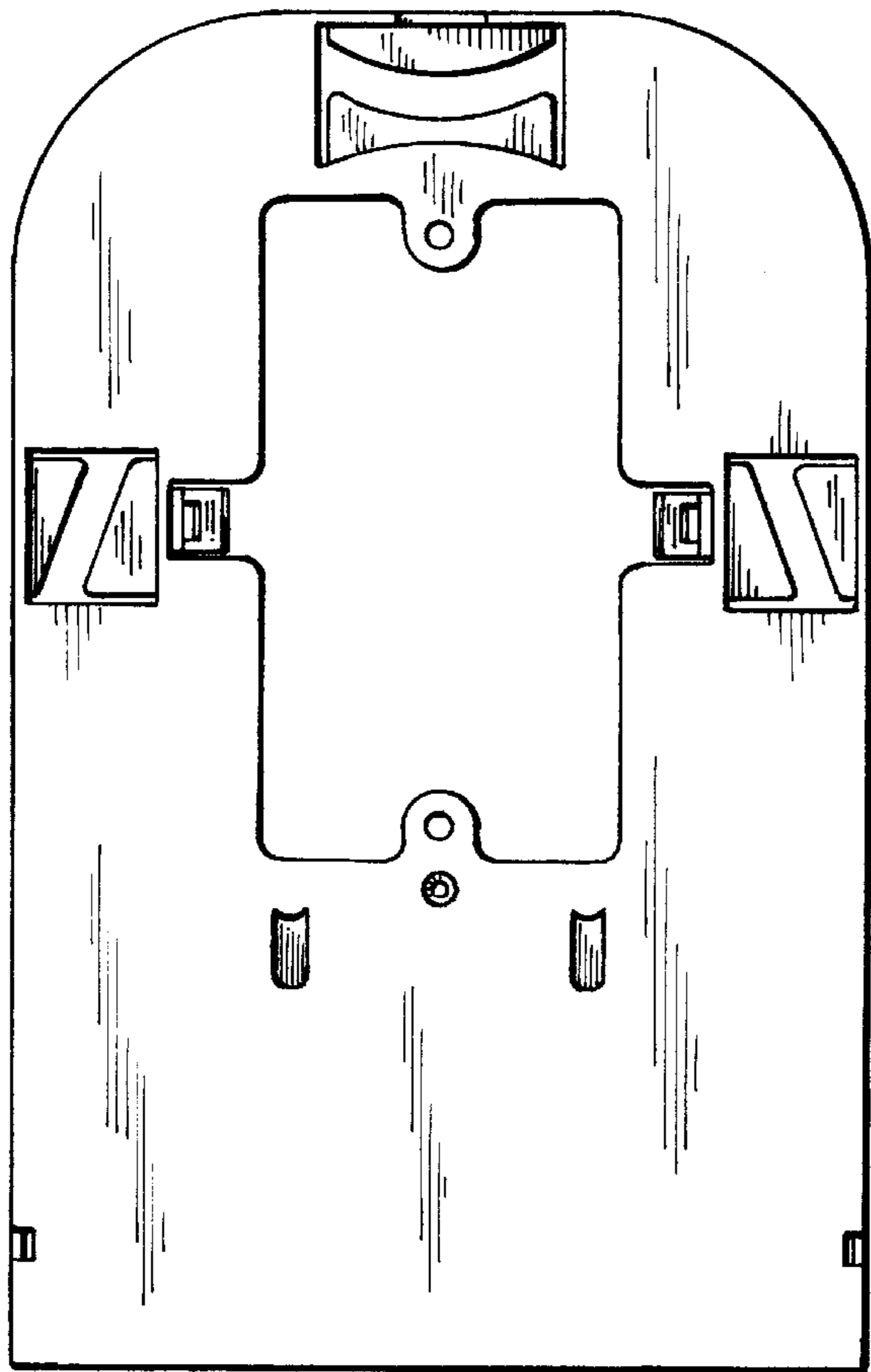


FIG. 8



FIG. 9

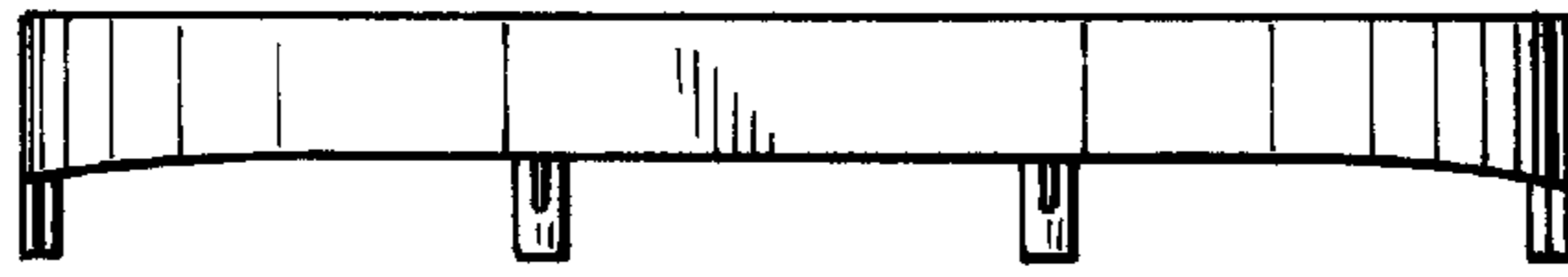


FIG. 11



FIG. 12

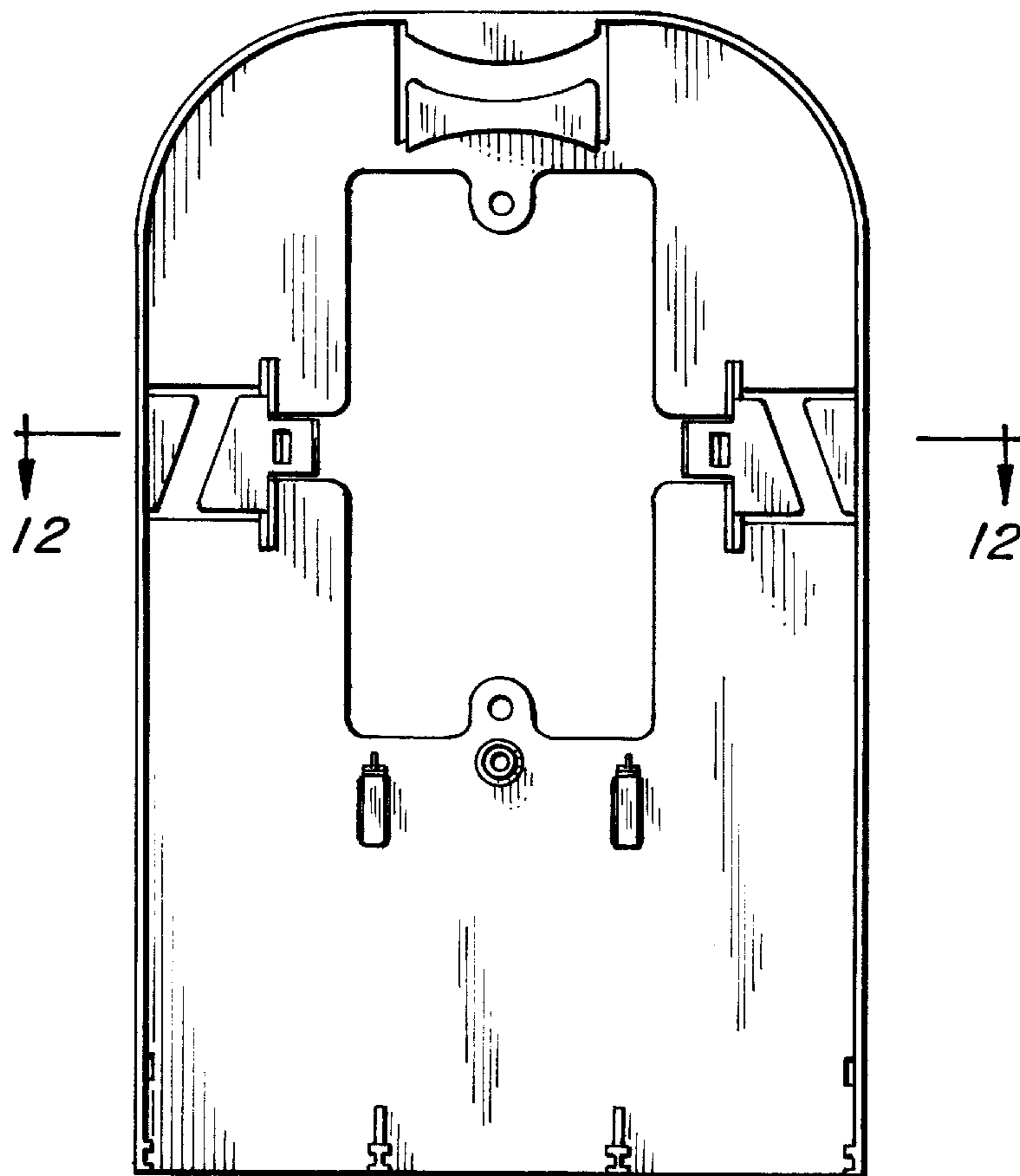


FIG. 10



FIG. 13