



US00D401564S

United States Patent [19]

La Police

[11] **Patent Number: Des. 401,564**

[45] **Date of Patent: **Nov. 24, 1998**

[54] **HOUSING FOR PHOTOELECTRIC CONTROL**

[75] Inventor: **George D. La Police**, Somerville, N.J.

[73] Assignee: **Sycon Corporation**, Lancaster, Pa.

[**] Term: **14 Years**

[21] Appl. No.: **77,706**

[22] Filed: **Oct. 9, 1997**

[51] **LOC (6) Cl. 13-03**

[52] **U.S. Cl. D13/165**

[58] **Field of Search D13/165; 250/200, 250/201.1, 206, 239**

[56] **References Cited**

U.S. PATENT DOCUMENTS

D. 227,988	7/1973	Guthart	D13/165
D. 322,776	12/1991	Di Carlo, Jr.	D13/165
D. 361,057	8/1995	Fayfield	D13/165
5,115,129	5/1992	Johnson	250/239

Primary Examiner—Brian N. Vinson
Attorney, Agent, or Firm—Fay, Sharpe, Beall, Fagan, Minnich & McKee

[57] **CLAIM**

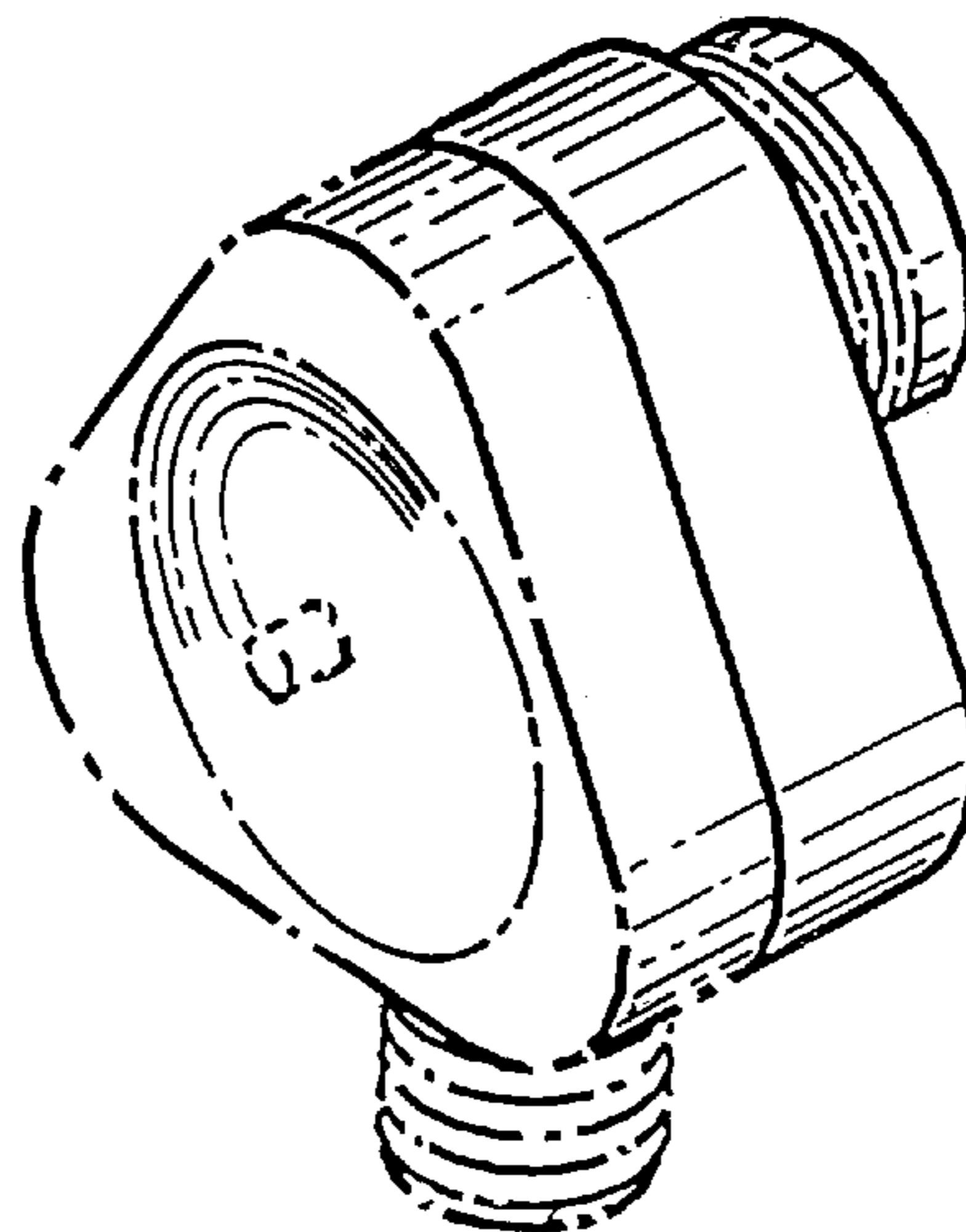
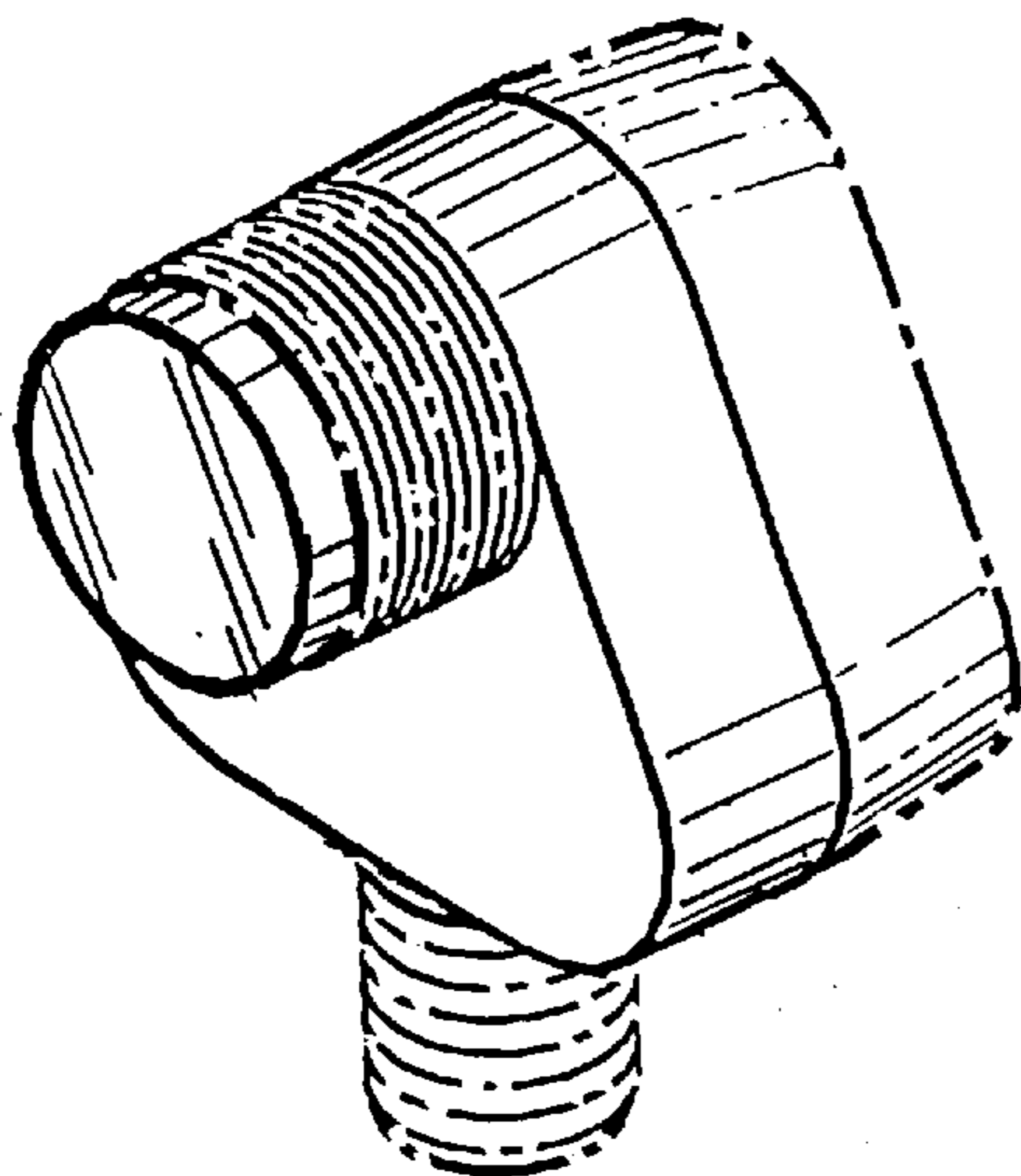
The ornamental design for a housing for a photoelectric control, as shown and deccribed.

DESCRIPTION

FIG. 1 is a front and top-right perspective view of a housing for a photoelectric control showing the new design; FIG. 2 is a front elevational view of the housing of FIG. 1; FIG. 3 is a rear elevational view of the housing of FIG. 1; FIG. 4 is a top plan view of the housing of FIG. 1; FIG. 5 is a bottom plan view of the housing of FIG. 1; FIG. 6 is a right side elevational view of the housing of FIG. 1, the left side housing being a mirror image of the right side housing; and, FIG. 7 is a rear and top-right perspective view of the housing of FIG. 1.

The broken-line portions of the housing are for illustrative purposes only and do not form part of the claimed design.

1 Claim, 4 Drawing Sheets



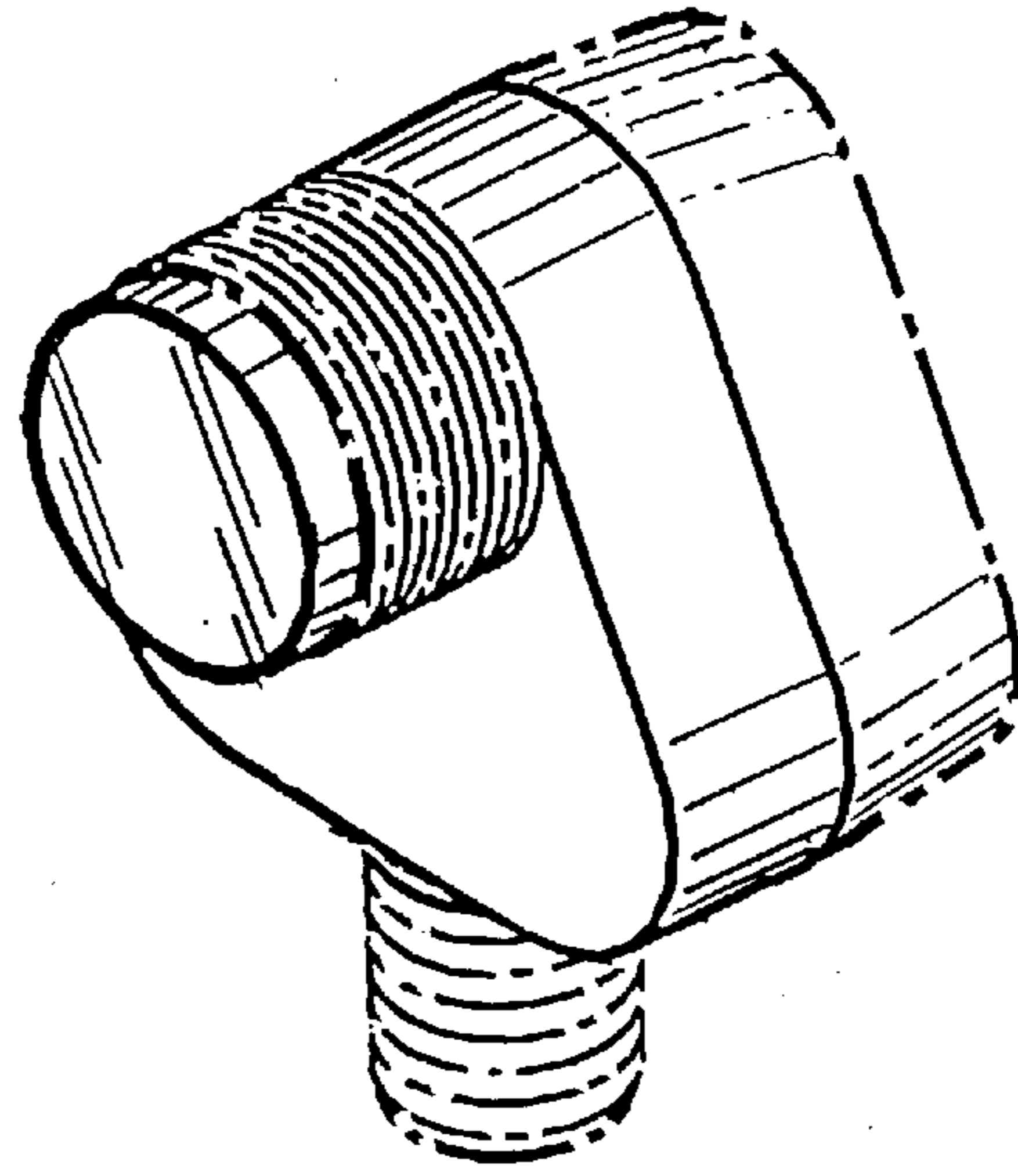


Fig. 1

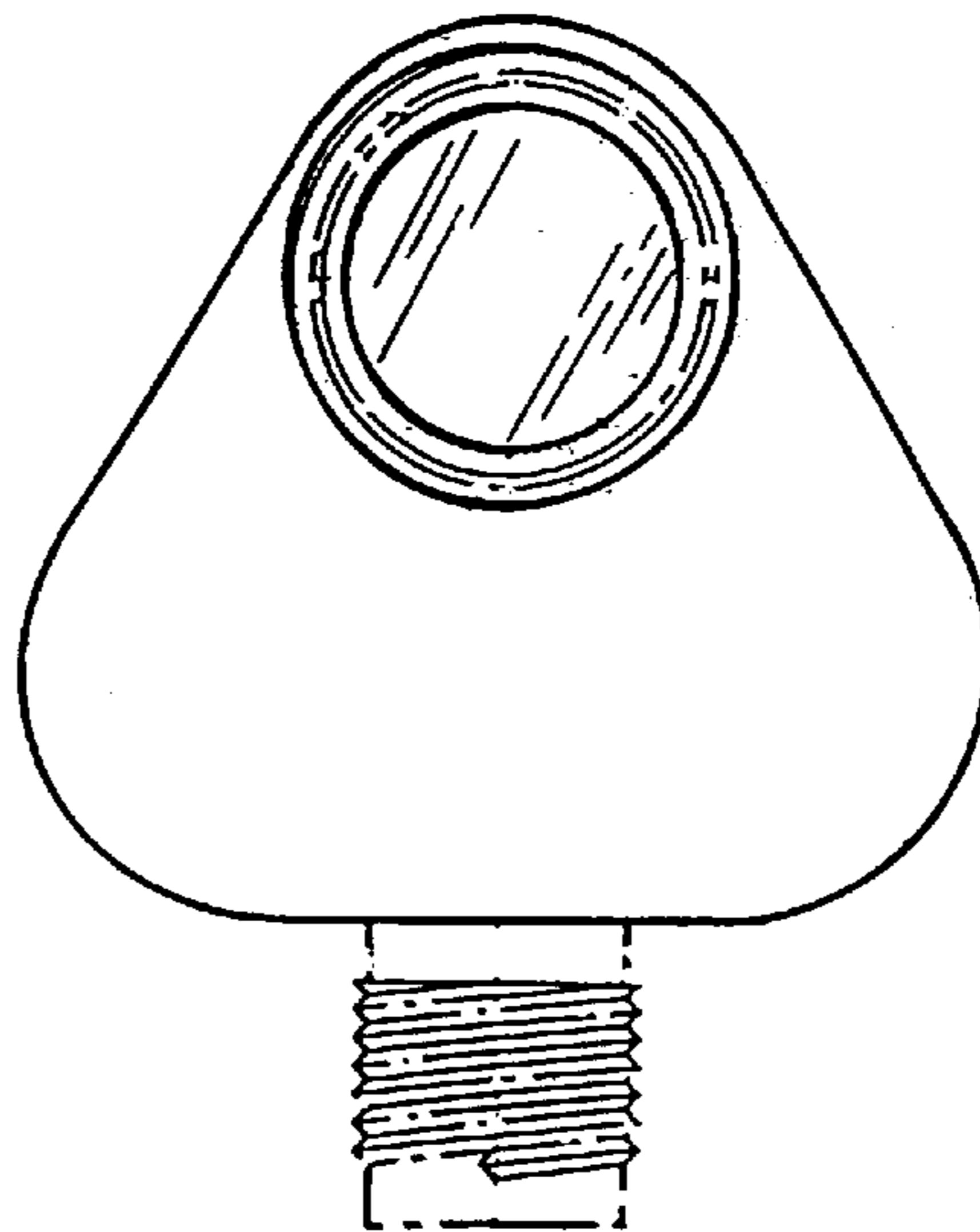


Fig. 2

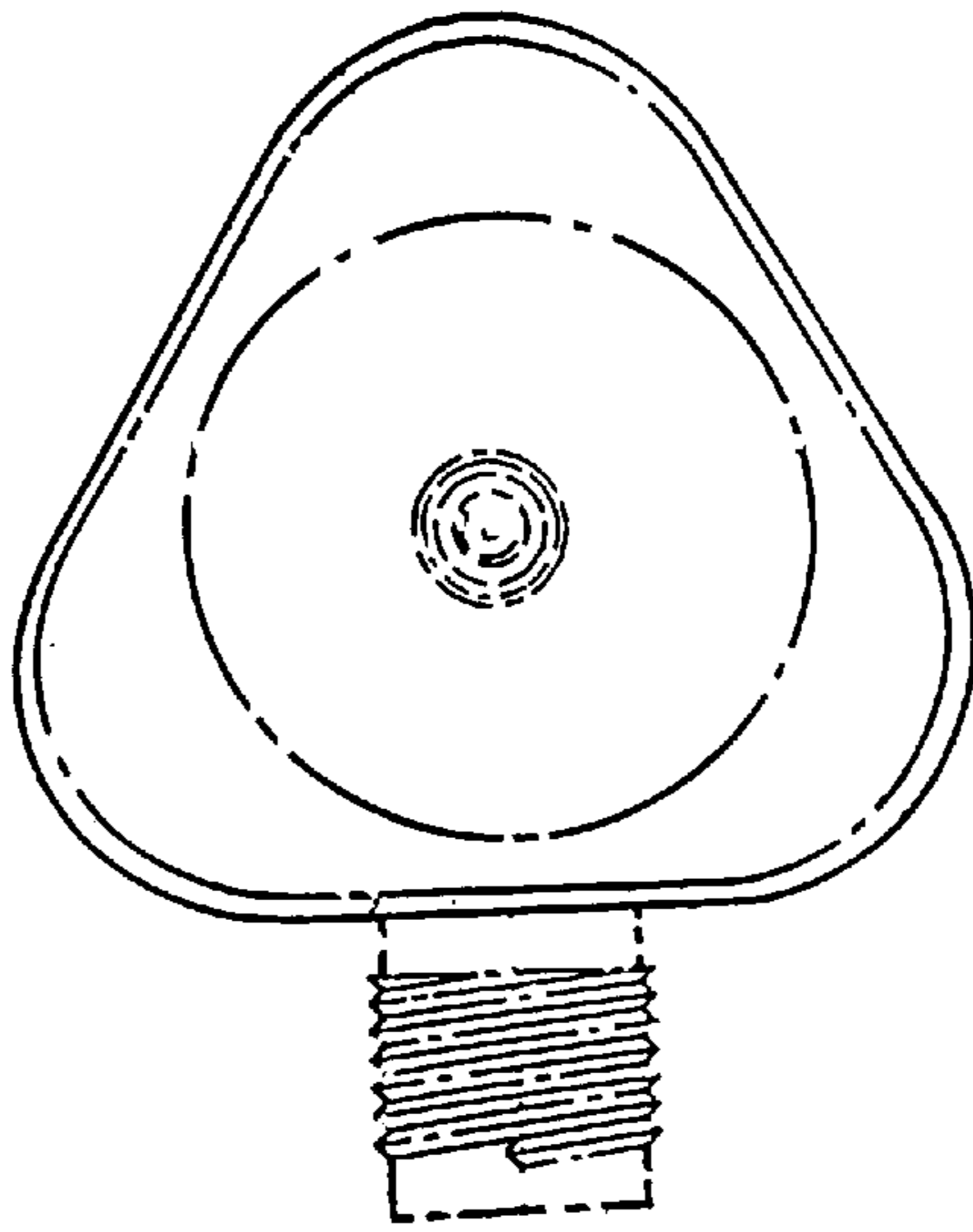


Fig. 3

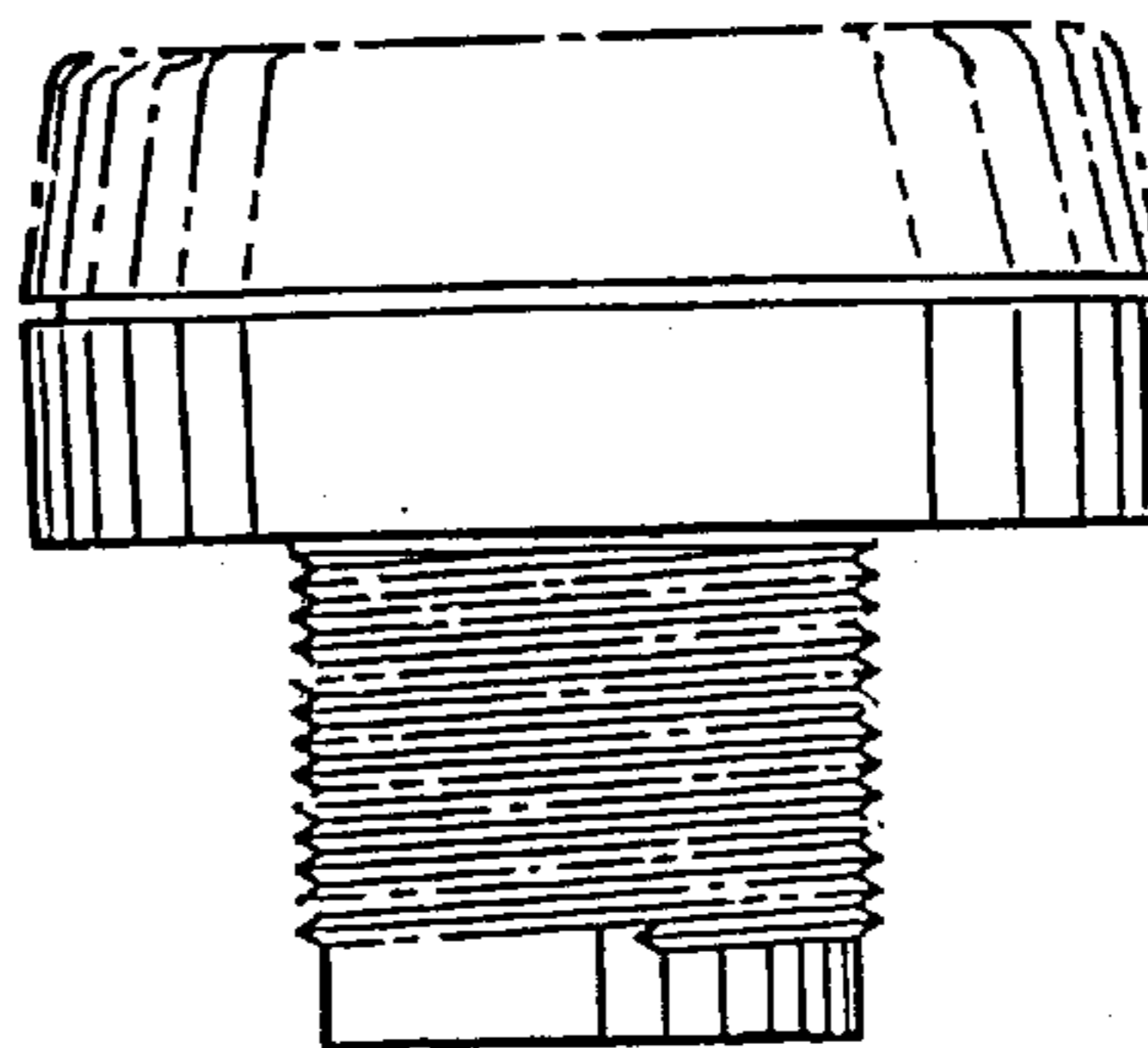


Fig. 4

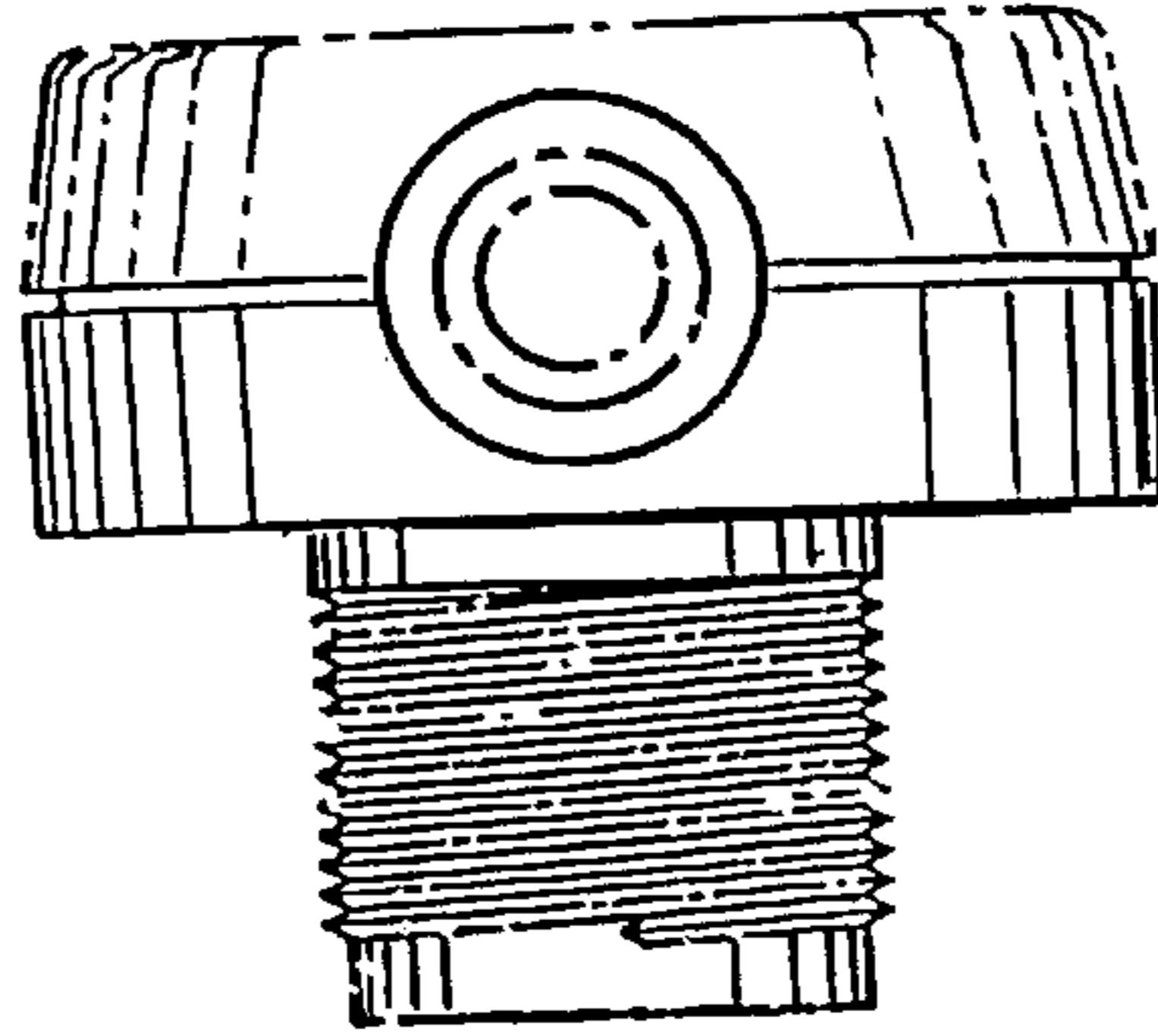


Fig. 5

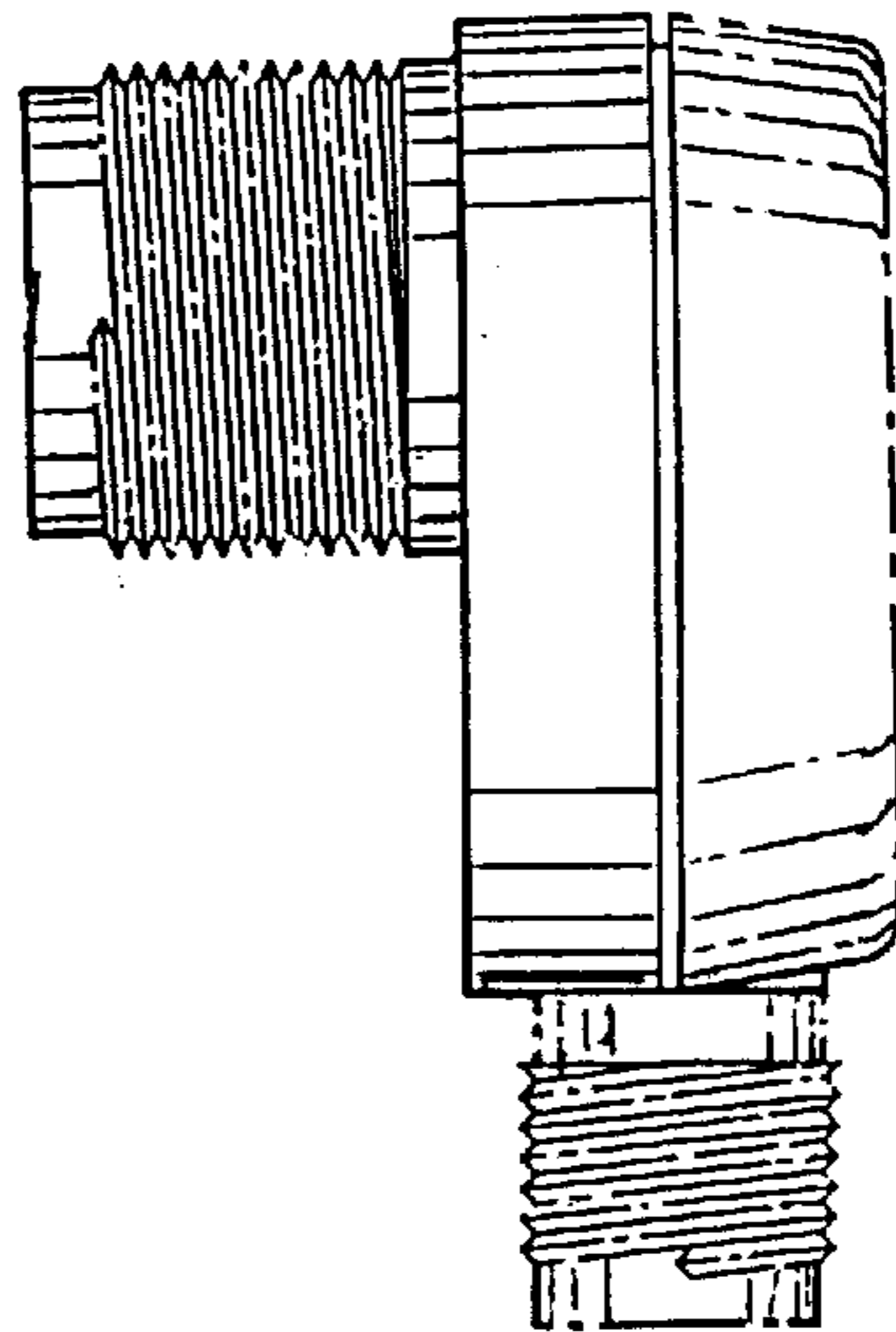


Fig. 6

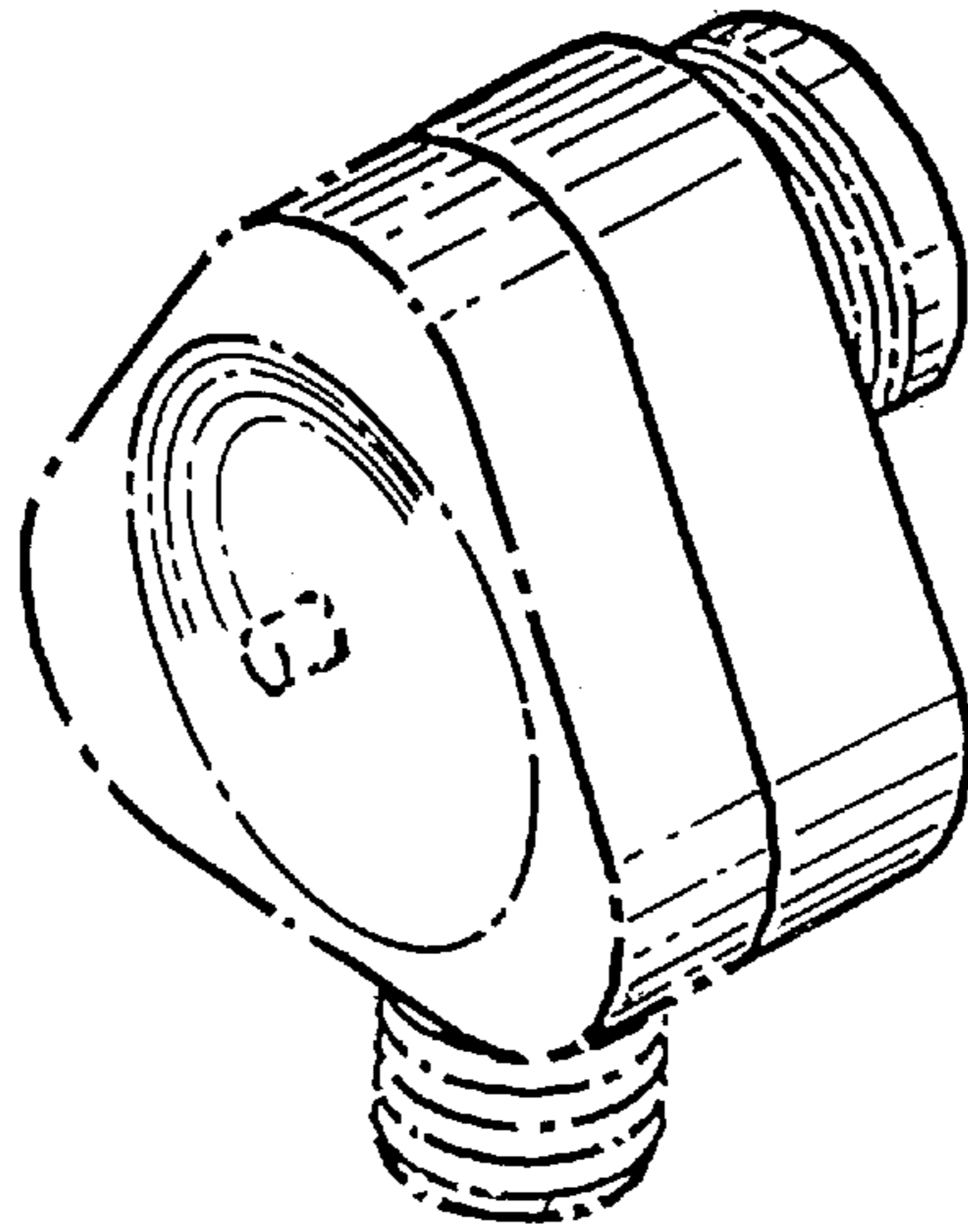


Fig. 7