



US00D401562S

United States Patent [19]

Brass et al.

[11] **Patent Number: Des. 401,562**

[45] **Date of Patent: **Nov. 24, 1998**

[54] **HOUSING FOR PHOTOELECTRIC LIMIT SWITCH CONTROL**

[75] Inventors: **Dwight S. Brass**, Freeport, Ill.; **George D. La Police**, Somerville, N.J.

[73] Assignee: **Sycon Corporation**, Lancaster, Pa.

[**] Term: **14 Years**

[21] Appl. No.: **67,455**

[22] Filed: **Mar. 7, 1997**

[51] **LOC (6) Cl.** **13-03**

[52] **U.S. Cl.** **D13/165**

[58] **Field of Search** D13/165; 250/200, 250/201.1, 206, 239

[56] **References Cited**

U.S. PATENT DOCUMENTS

D. 227,988	7/1973	Guthart	D13/165
D. 322,776	12/1991	Di Carlo, Jr.	D13/165
D. 361,057	8/1995	Fayfield	D13/165
5,115,129	5/1992	Johnson	250/239

Primary Examiner—Brian N. Vinson
Attorney, Agent, or Firm—Fay, Sharpe, Beall, Fagan, Minnich & McKee

[57] **CLAIM**

The ornamental design for a housing for a photoelectric limit switch control, as shown and described.

DESCRIPTION

FIG. 1 is a front and top-right perspective view of a housing for photoelectric limit switch control showing the new design;

FIG. 2 is a front elevational view of the housing of FIG. 1;

FIG. 3 is a rear elevational view of the housing of FIG. 1;

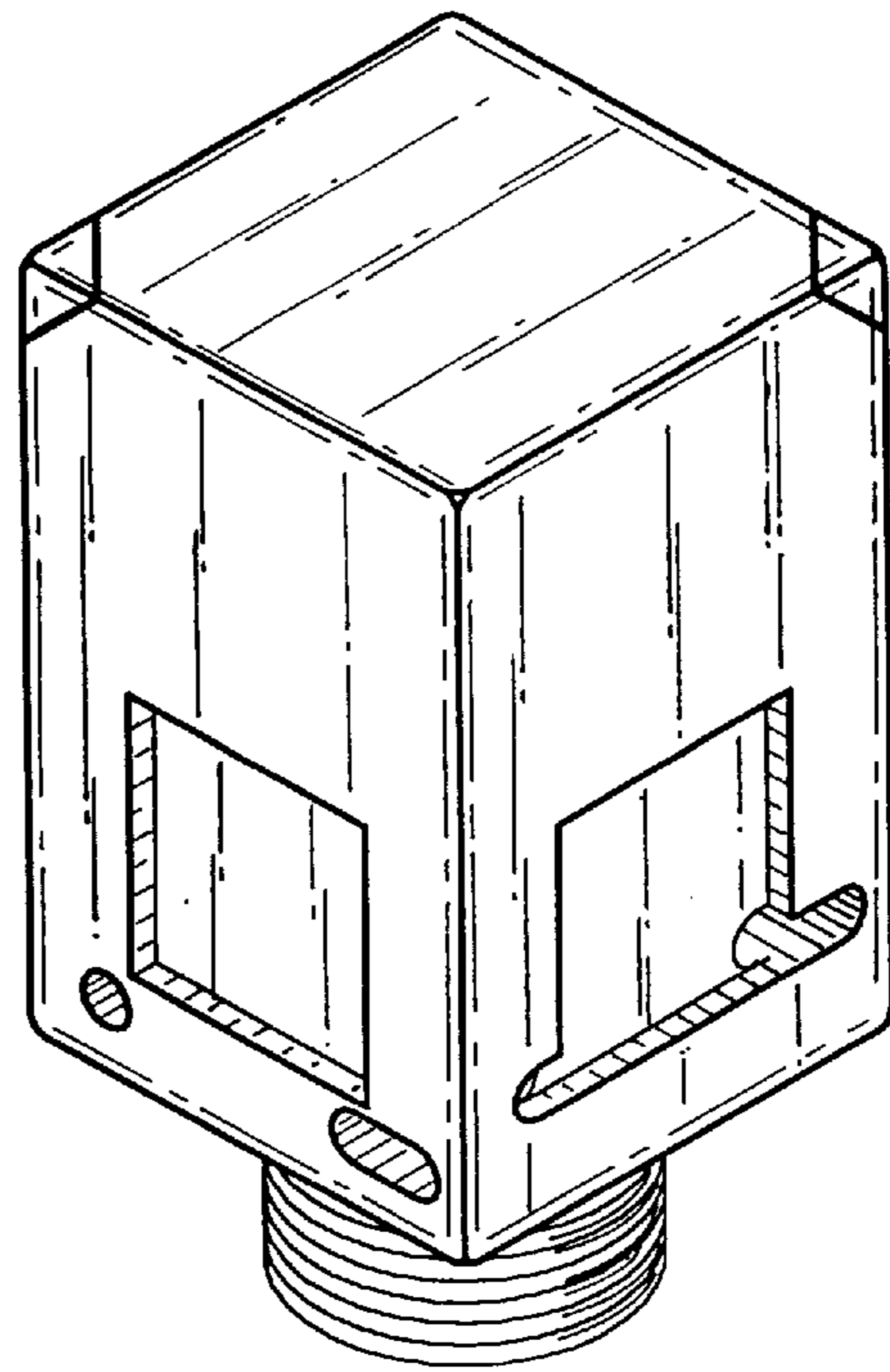
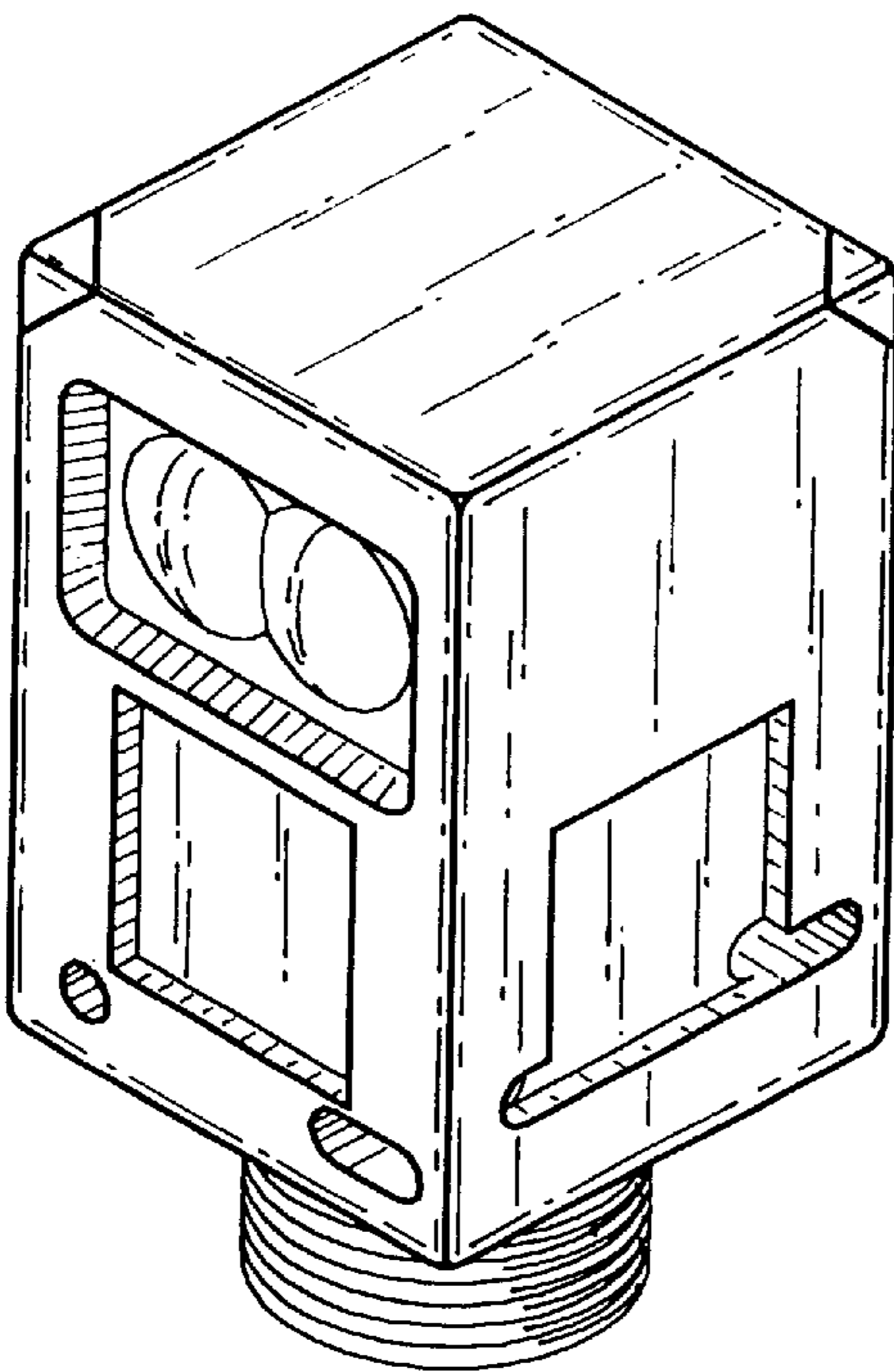
FIG. 4 is a top plan view of the housing of FIG. 1;

FIG. 5 is a bottom plan view of the housing of FIG. 1;

FIG. 6 is a right side elevational view of the housing of FIG. 1, the left side housing being a mirror image of the right side housing; and,

FIG. 7 is a rear and top-right perspective view of the housing of FIG. 1.

1 Claim, 4 Drawing Sheets



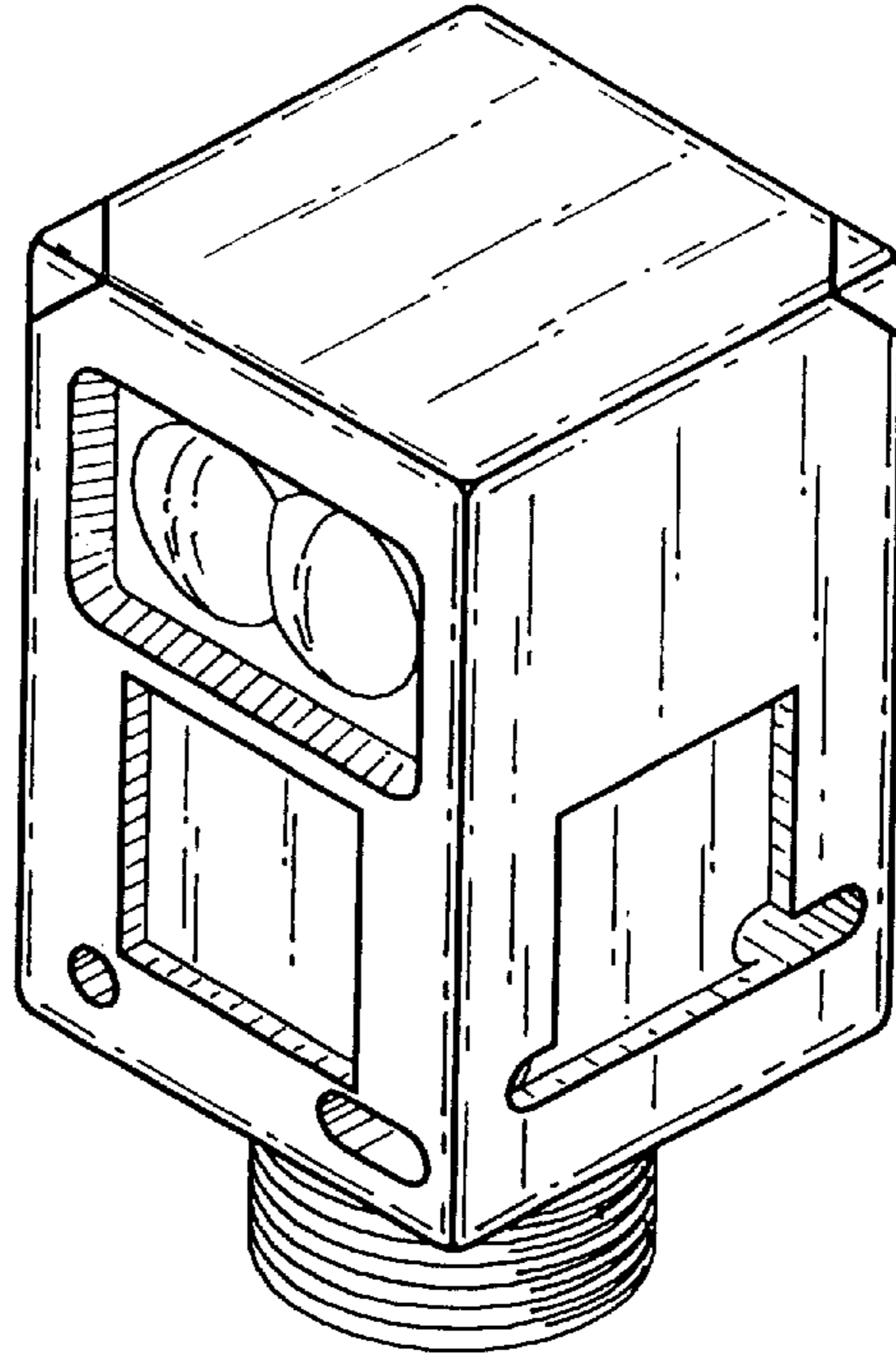


Fig. 1

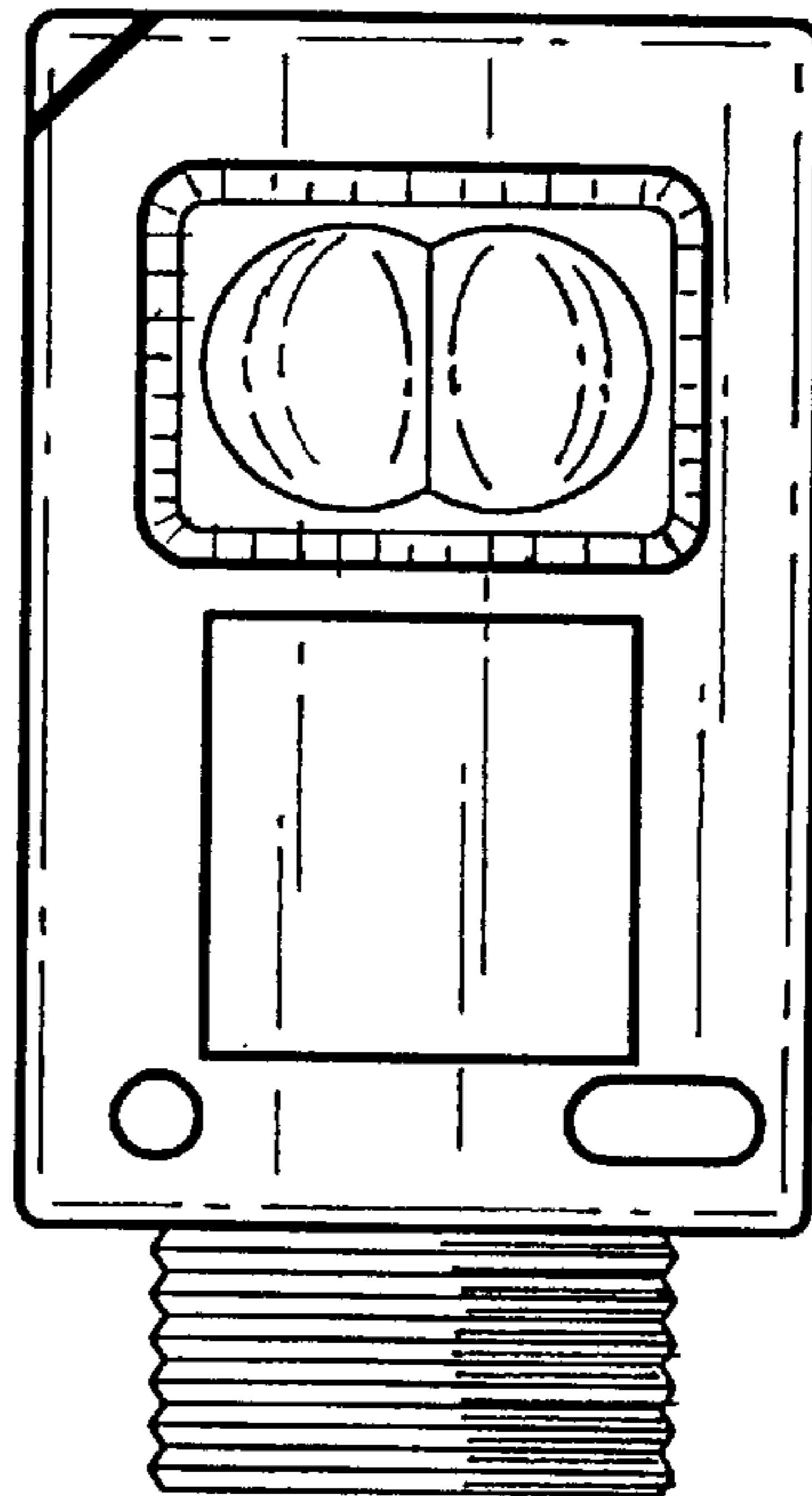


Fig. 2

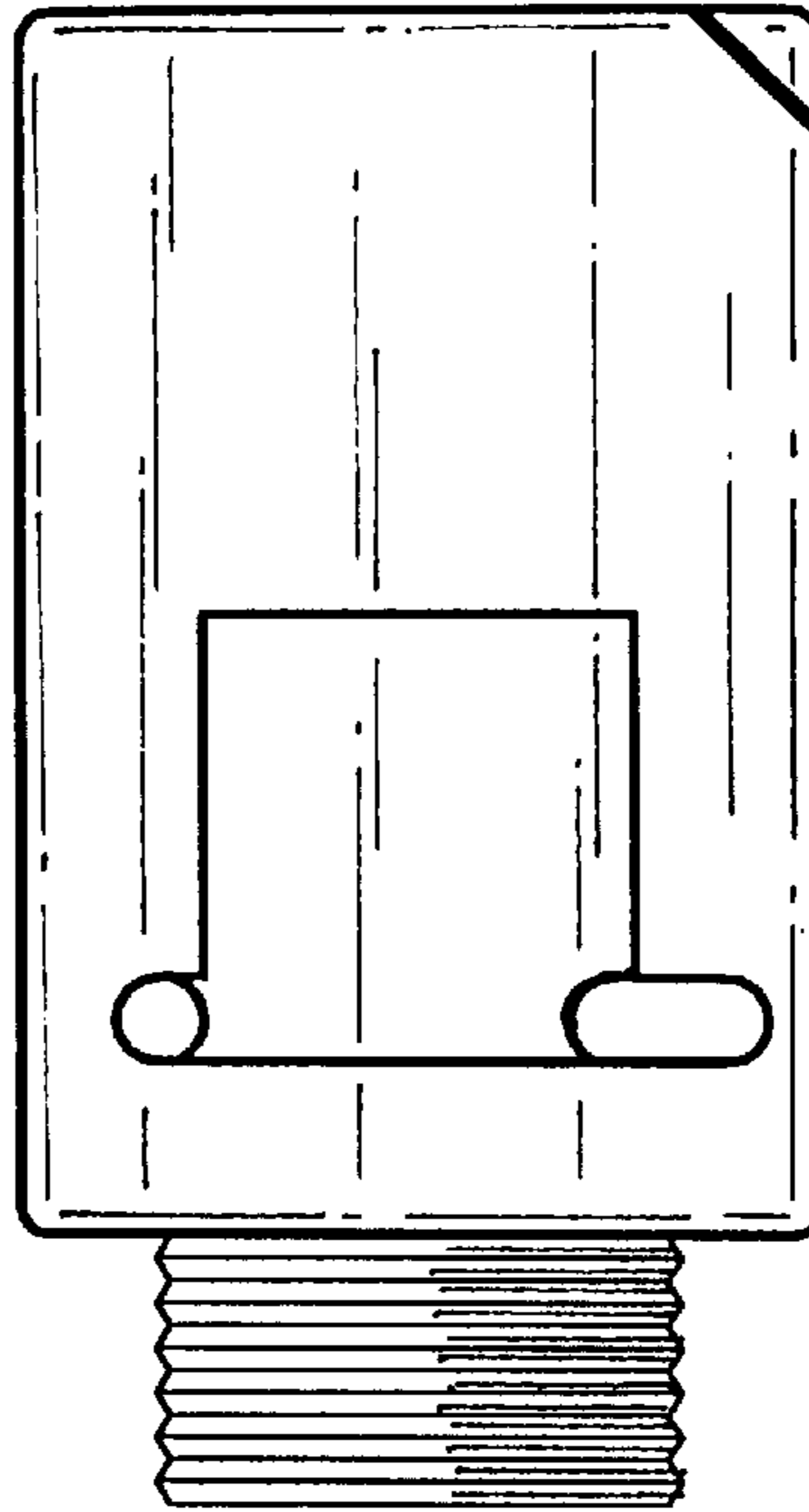


Fig. 3

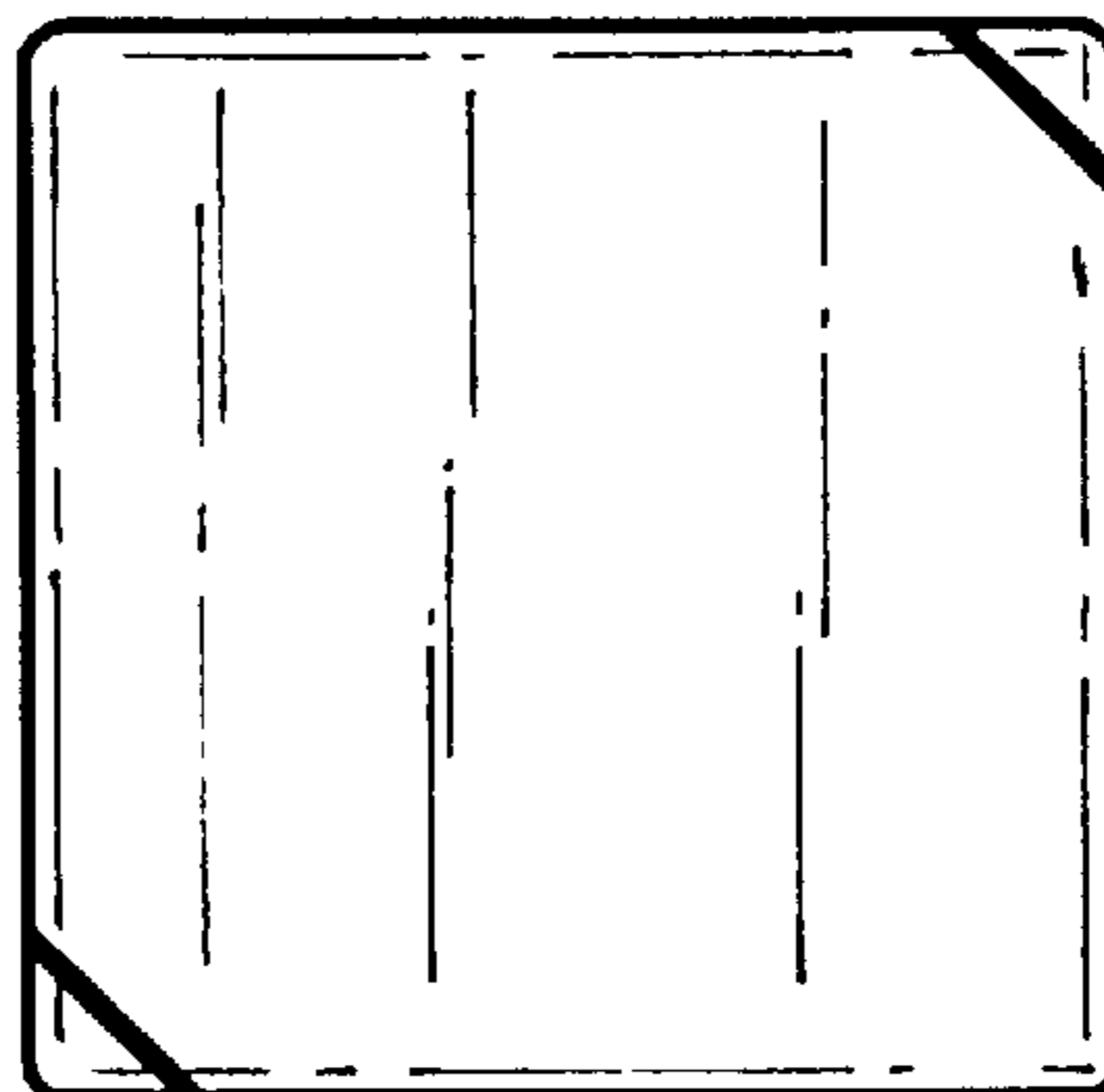


Fig. 4

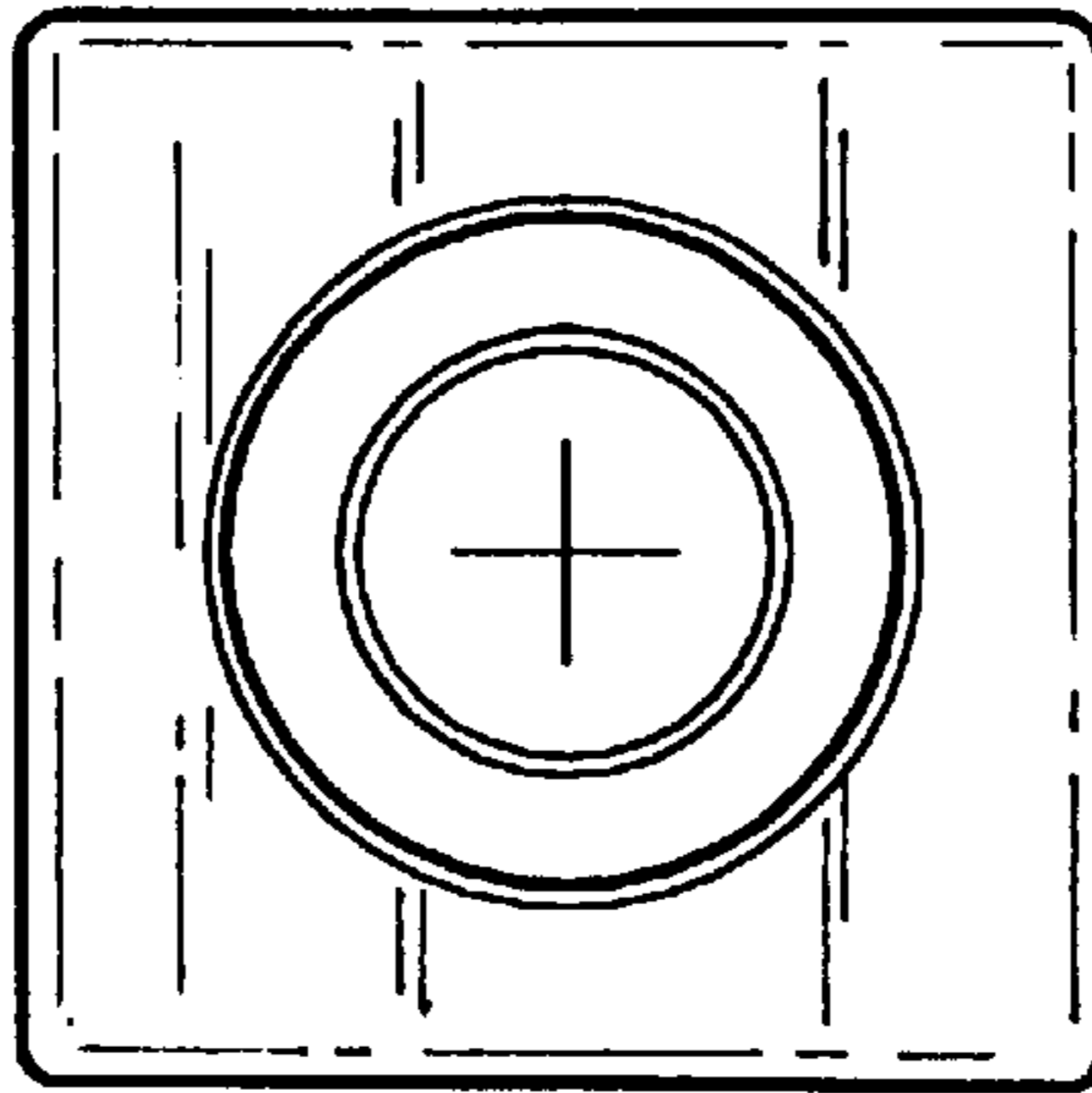


Fig. 5

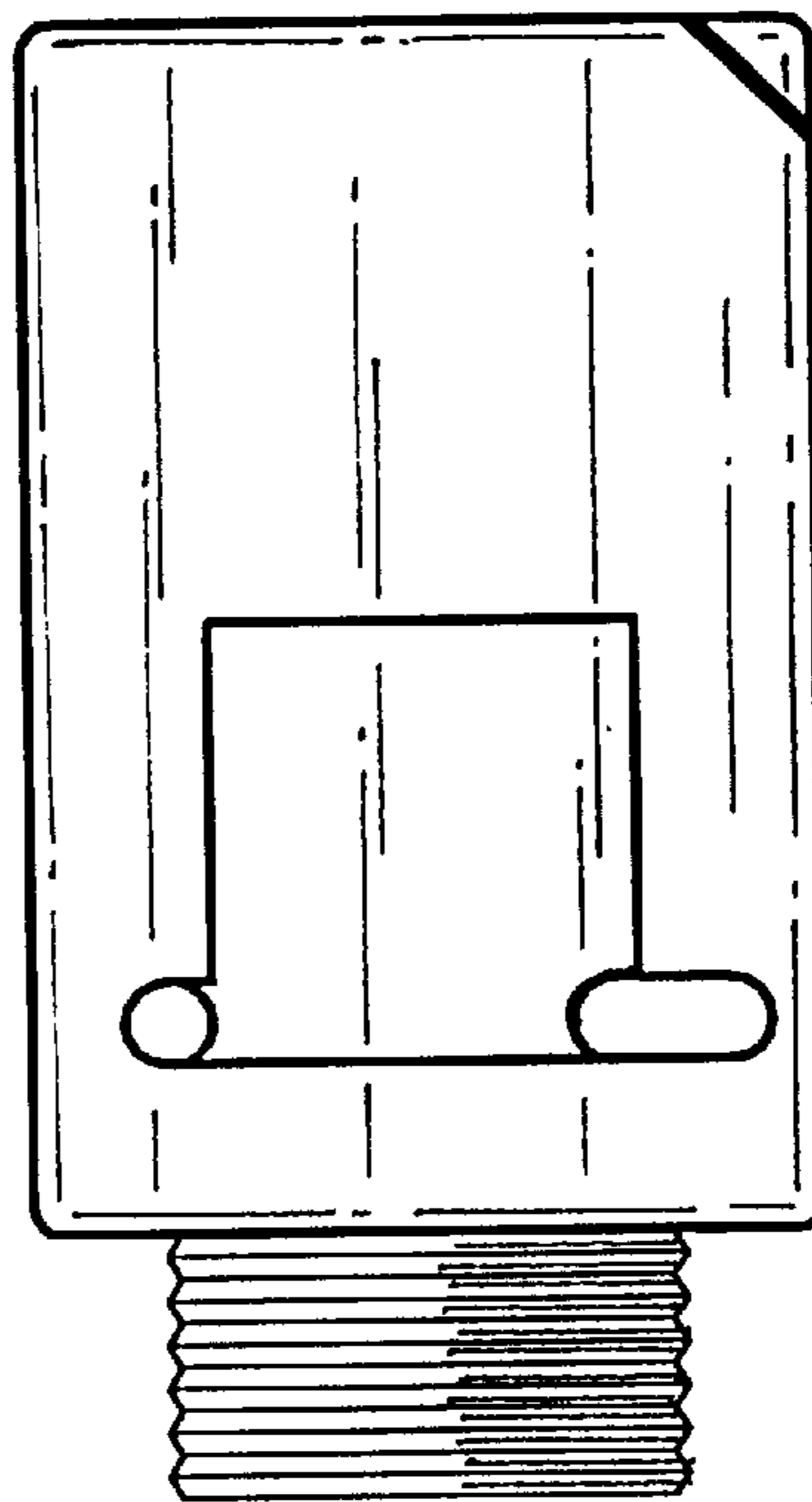


Fig. 6

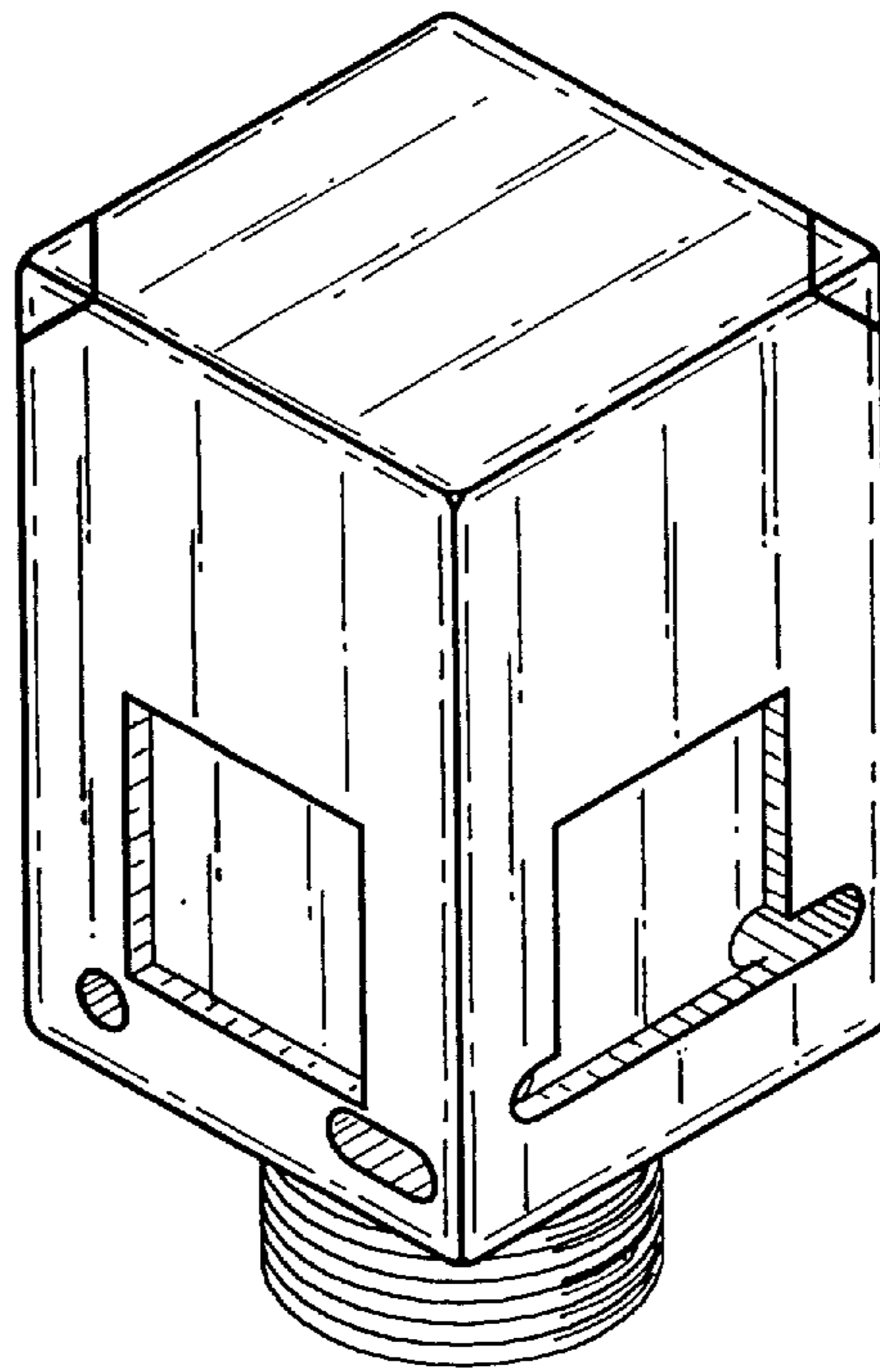


Fig. 7