



US00D401558S

United States Patent [19] Almond

[11] **Patent Number: Des. 401,558**

[45] **Date of Patent: **Nov. 24, 1998**

[54] **WIRE ACCESS BOX**

[75] Inventor: **Gordon S. Almond**, Kelowna, Canada

[73] Assignee: **R123 Enterprises Ltd.**, Kelowna, Canada

[**] Term: **14 Years**

[21] Appl. No.: **71,540**

[22] Filed: **May 30, 1997**

[51] **LOC (6) Cl.** **13-03**

[52] **U.S. Cl.** **D13/152**

[58] **Field of Search** D13/152, 184;
174/17 R, 17.08, 19, 50, 50.52

[56] **References Cited**

U.S. PATENT DOCUMENTS

- D. 260,878 9/1981 Dolinar et al. D13/152
- D. 370,891 6/1996 Keith D13/152

- D. 390,200 2/1998 Spano D13/152
- D. 390,834 2/1998 Dizon et al. D13/152
- D. 391,233 2/1998 Sittler D13/152
- 3,683,314 8/1972 Elkins 174/50 X

Primary Examiner—Brian N. Vinson
Attorney, Agent, or Firm—George A. Seaby

[57] **CLAIM**

The ornamental design for a wire access box, as shown and described.

DESCRIPTION

FIG. 1 is an isometric view from above and one end of the wire access box showing my new design; FIG. 2 is an isometric view from below and the other end thereof; and, FIG. 3 is a partly sectioned, isometric view thereof with parts omitted.

1 Claim, 2 Drawing Sheets

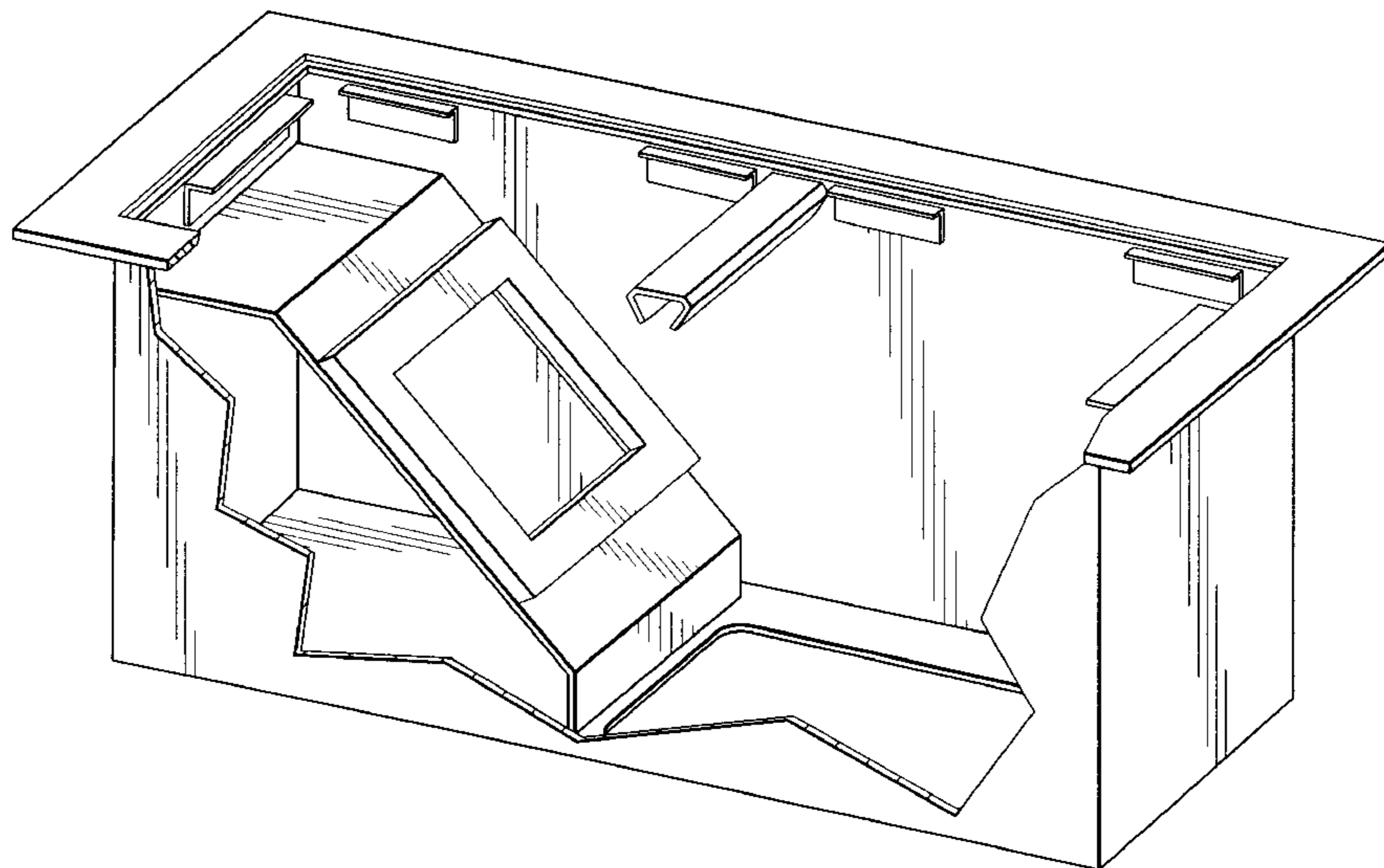
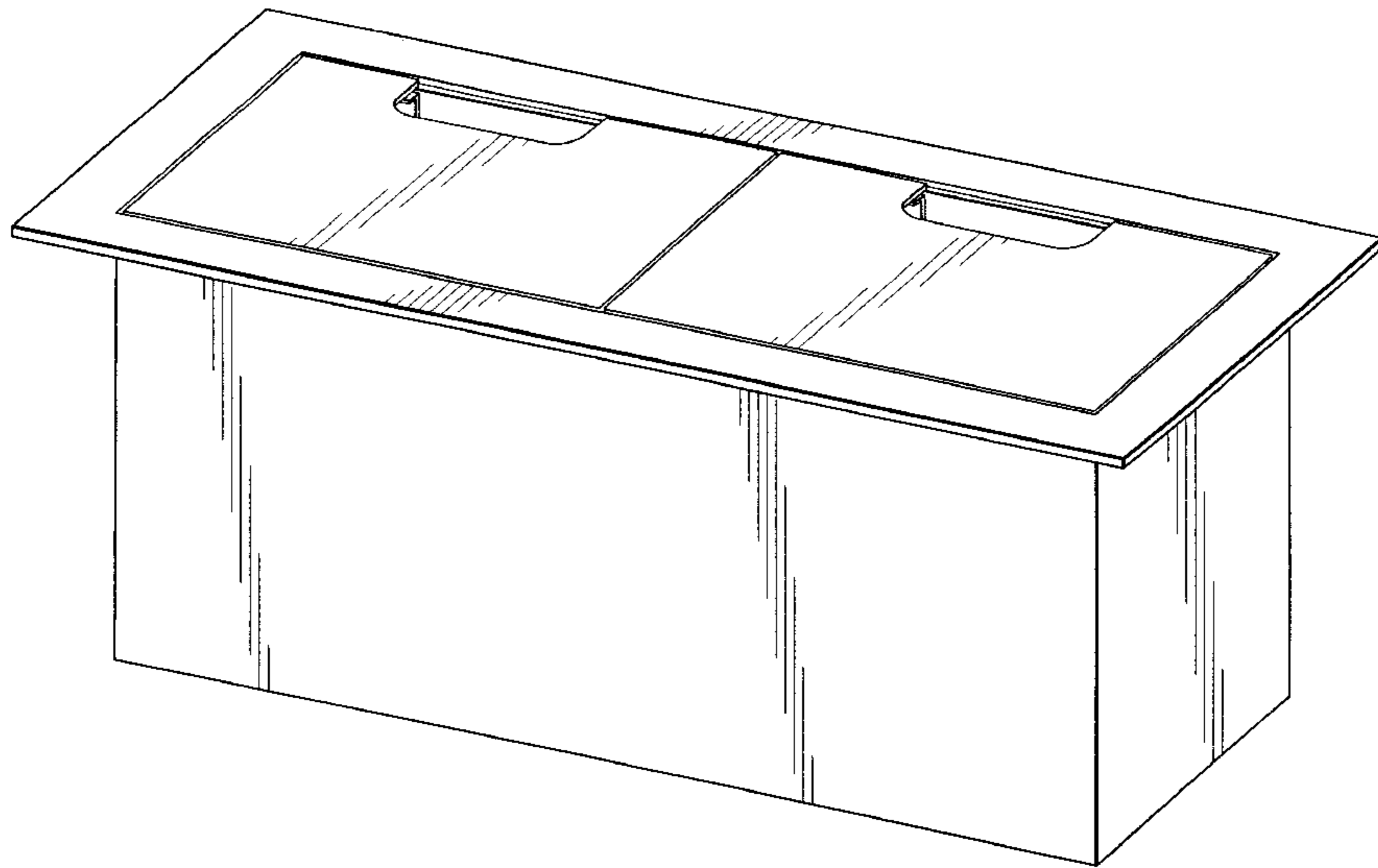


FIG. 1

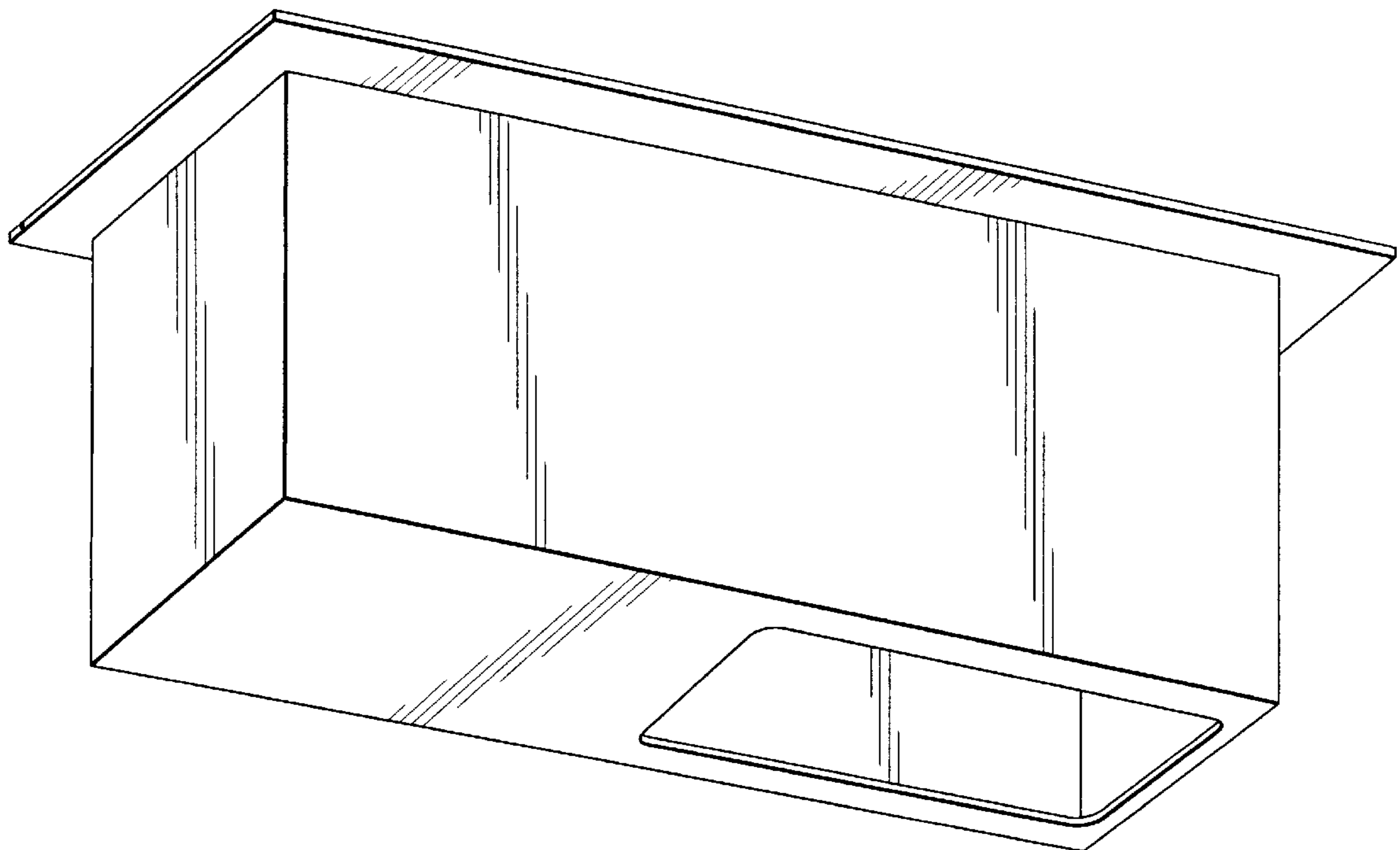
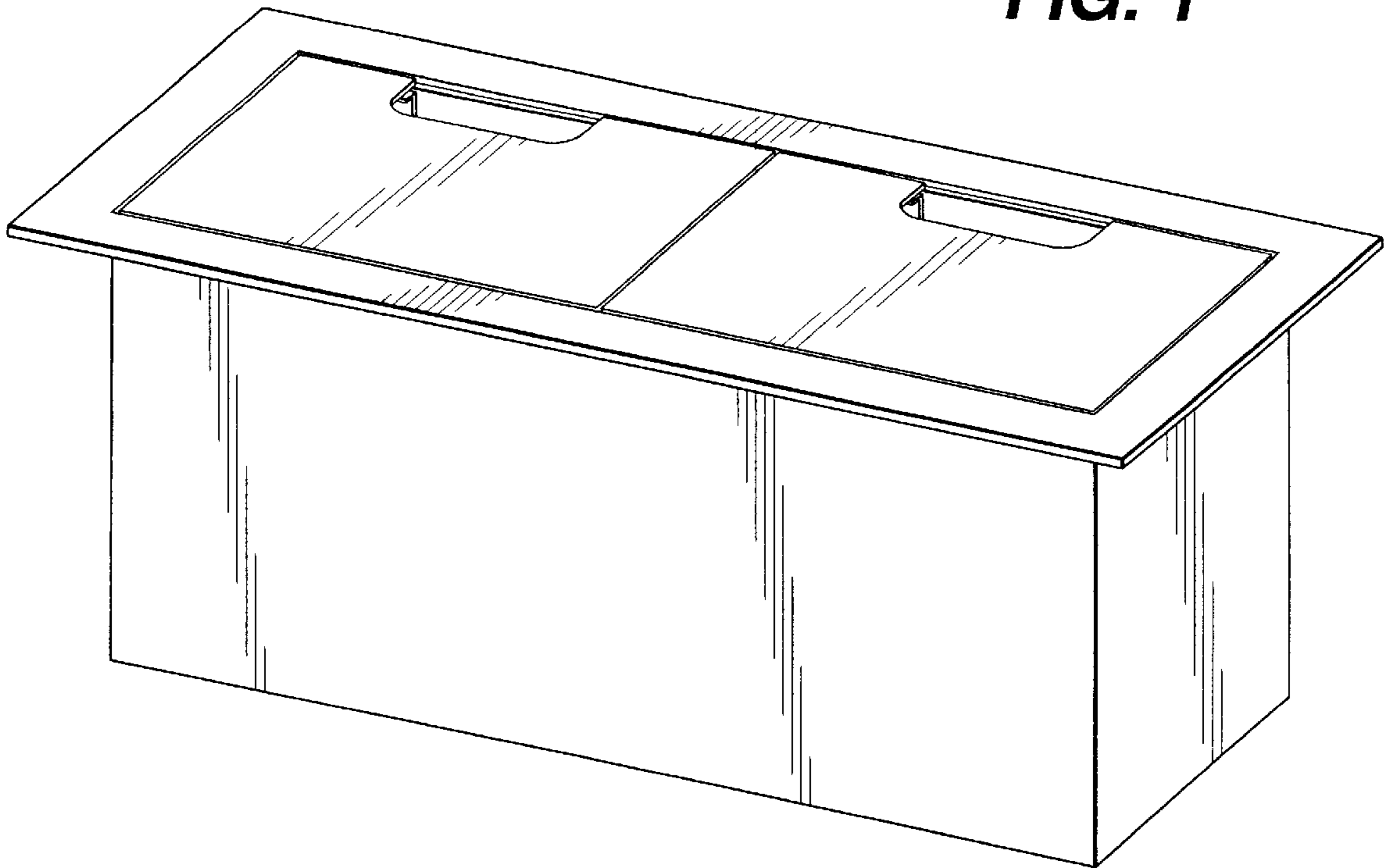


FIG. 2

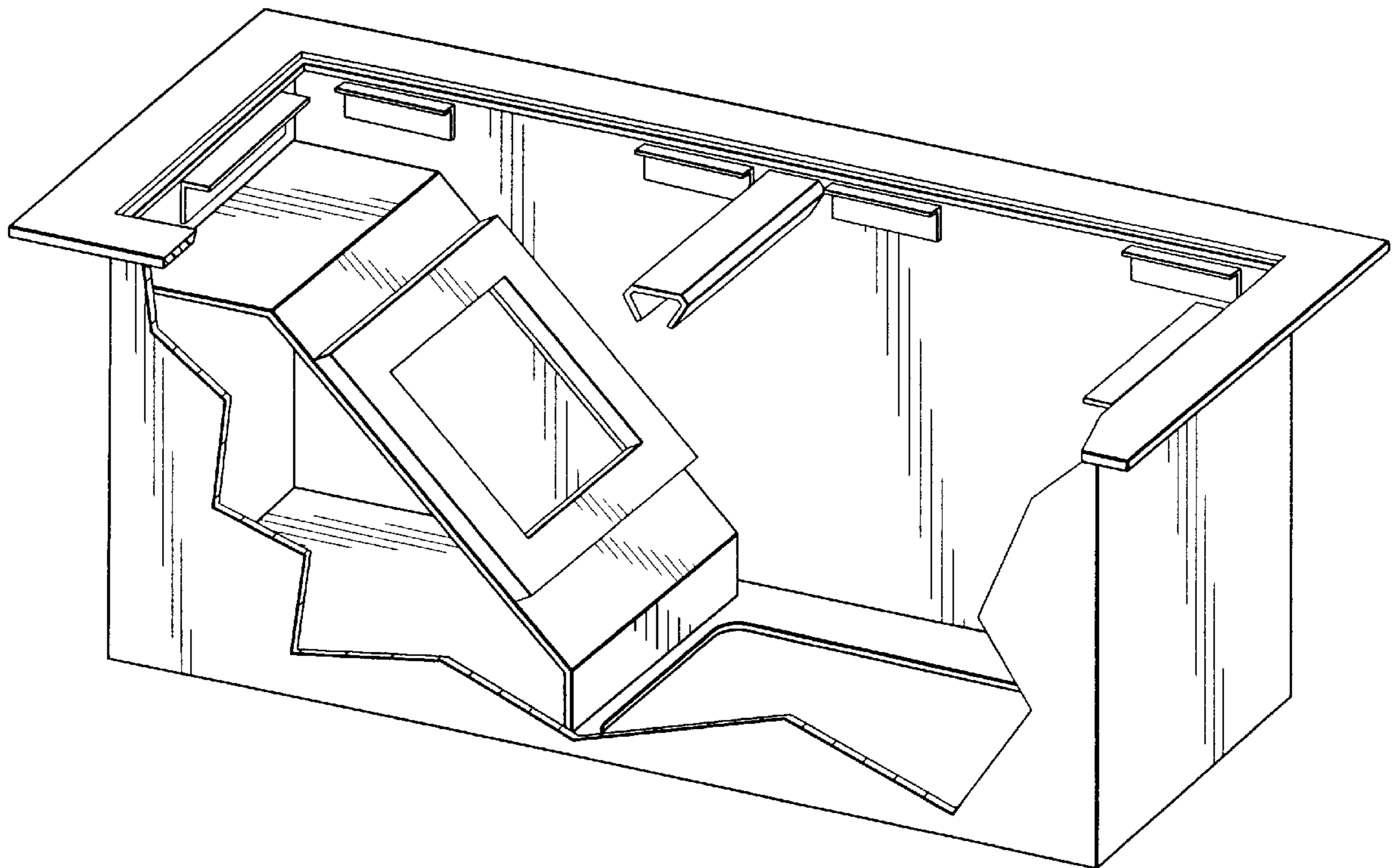


FIG. 3