



US00D401556S

United States Patent [19]
Stekelenburg

[11] **Patent Number: Des. 401,556**

[45] **Date of Patent: **Nov. 24, 1998**

[54] **ELECTRIC PLUG WITH SURGE PROTECTION**

[75] Inventor: **Albert Stekelenburg**, Taipei, Taiwan

[73] Assignee: **All-Line Inc.**, Taipei, Taiwan

[**] Term: **14 Years**

[21] Appl. No.: **77,669**

[22] Filed: **Sep. 30, 1997**

[51] **LOC (6) Cl.** **13-03**

[52] **U.S. Cl.** **D13/138.2**

[58] **Field of Search** D13/138.1-138.2,
D13/137.1-137.4, 139.1-139.8, 145-147;
439/490, 620, 622, 103, 104, 106, 160,
173, 107, 597, 600, 601, 606, 676-679,
650-653, 692-695, 686; 361/42, 93, 100,
101, 114; 307/146, 156

[56] **References Cited**

U.S. PATENT DOCUMENTS

D. 179,343	12/1956	Gombar	D13/138.2
D. 264,582	5/1982	Drew	D13/138.2
D. 314,177	1/1991	Heiligenstein et al.	D13/138.1
D. 367,845	3/1996	Jacobs	D13/138.2
5,718,600	2/1998	D'Amario, Jr. et al.	439/696 X

Primary Examiner—Susan J. Lucas
Assistant Examiner—Jennifer Rivard
Attorney, Agent, or Firm—W. Wayne Liauh

[57] **CLAIM**

The ornamental design for a electric plug with surge protection, as shown and described.

DESCRIPTION

FIG. 1 is a front view of an electric plug with surge protection showing the preferred embodiment of my new design;

FIG. 2 is a right side elevational view of the electric plug with surge protection;

FIG. 3 is a bottom view of the electric plug with surge protection;

FIG. 4 is a left side elevational view of the electric plug with surge protection;

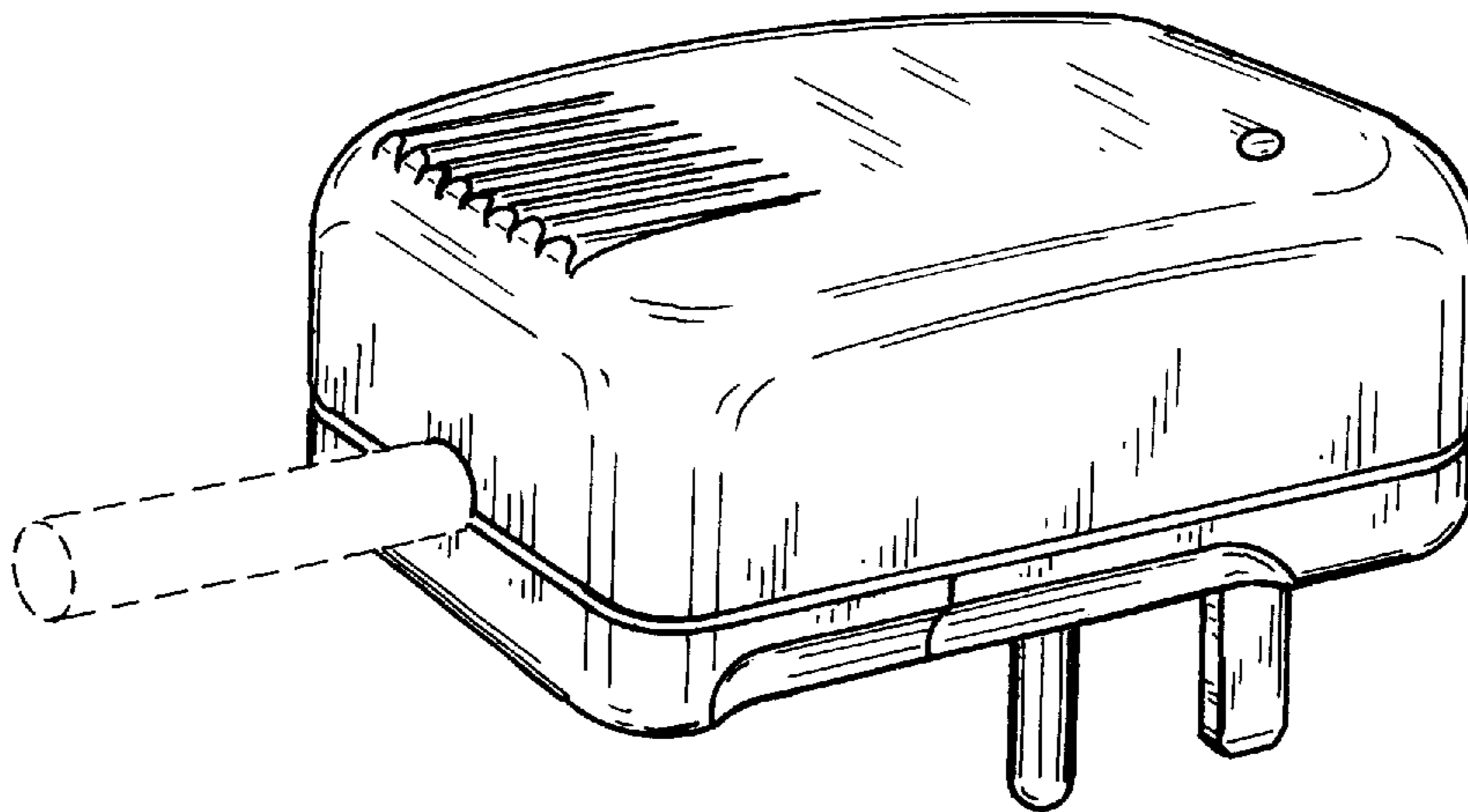
FIG. 5 is a rear elevational view of the electric plug with surge protection;

FIG. 6 is a top view of the electric plug with surge protection; and,

FIG. 7 is a perspective view of the electric plug with surge protection.

The broken lines are shown for illustrative purposes only and form no part of the claimed design.

1 Claim, 3 Drawing Sheets



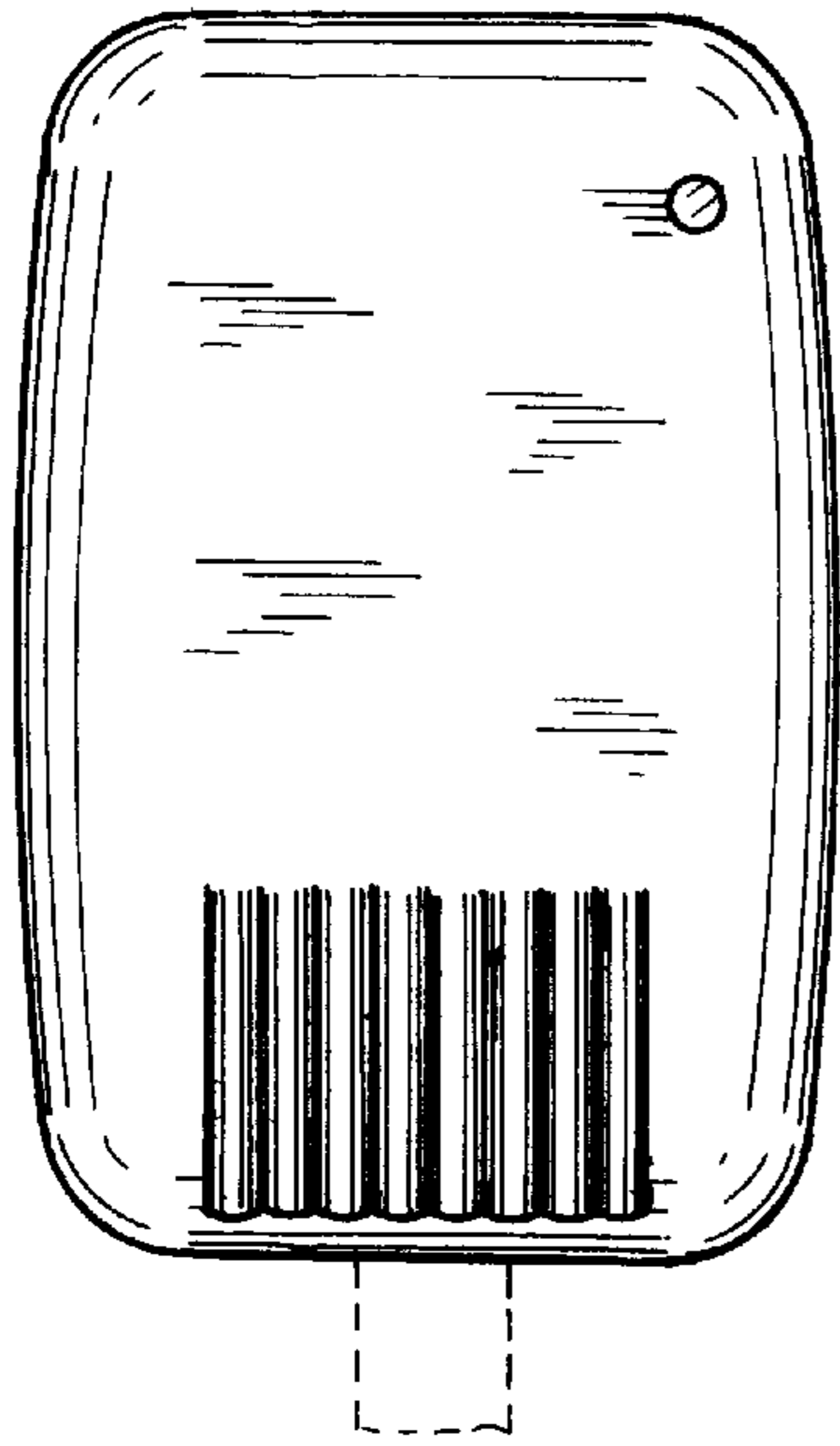


FIG. 1

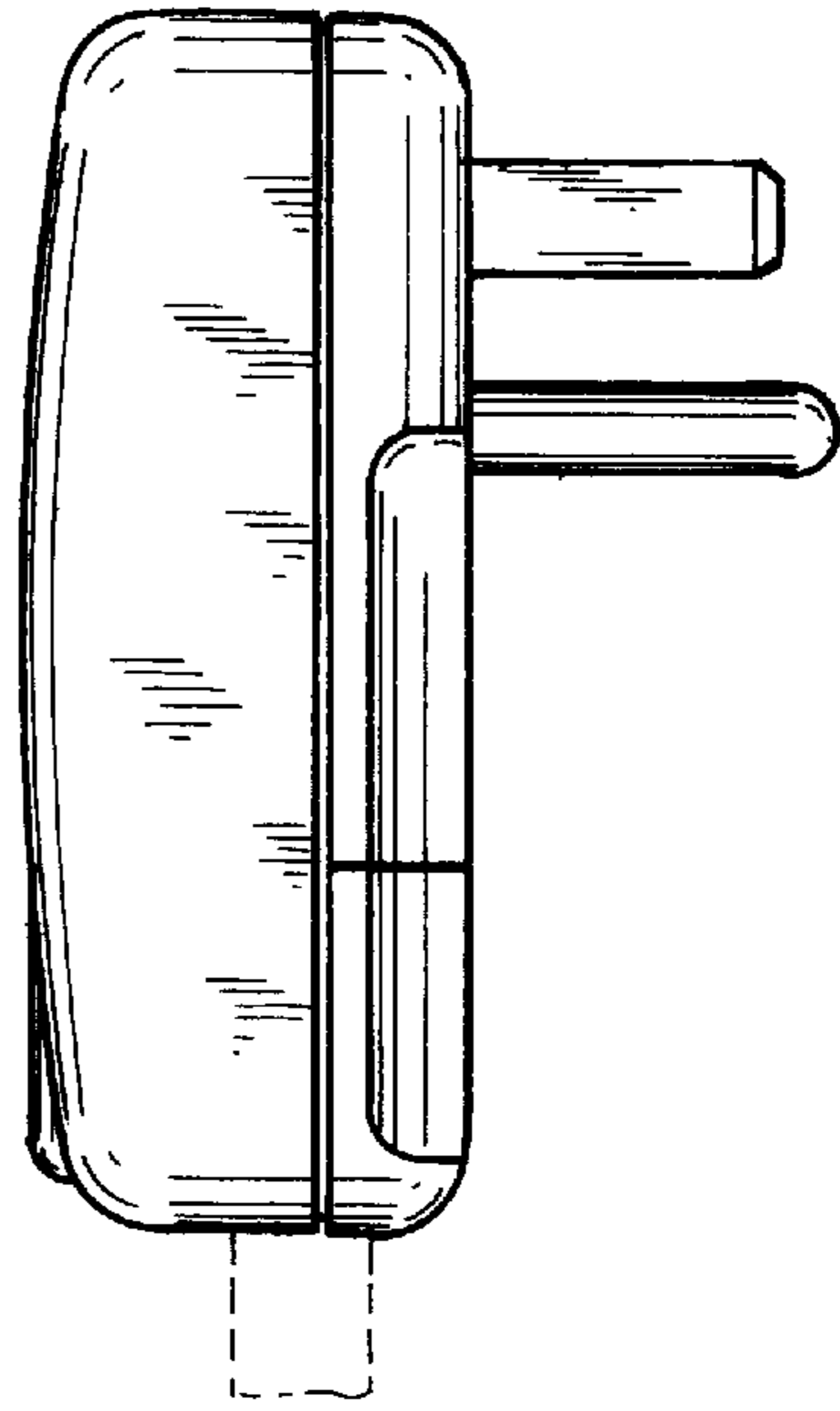


FIG. 2

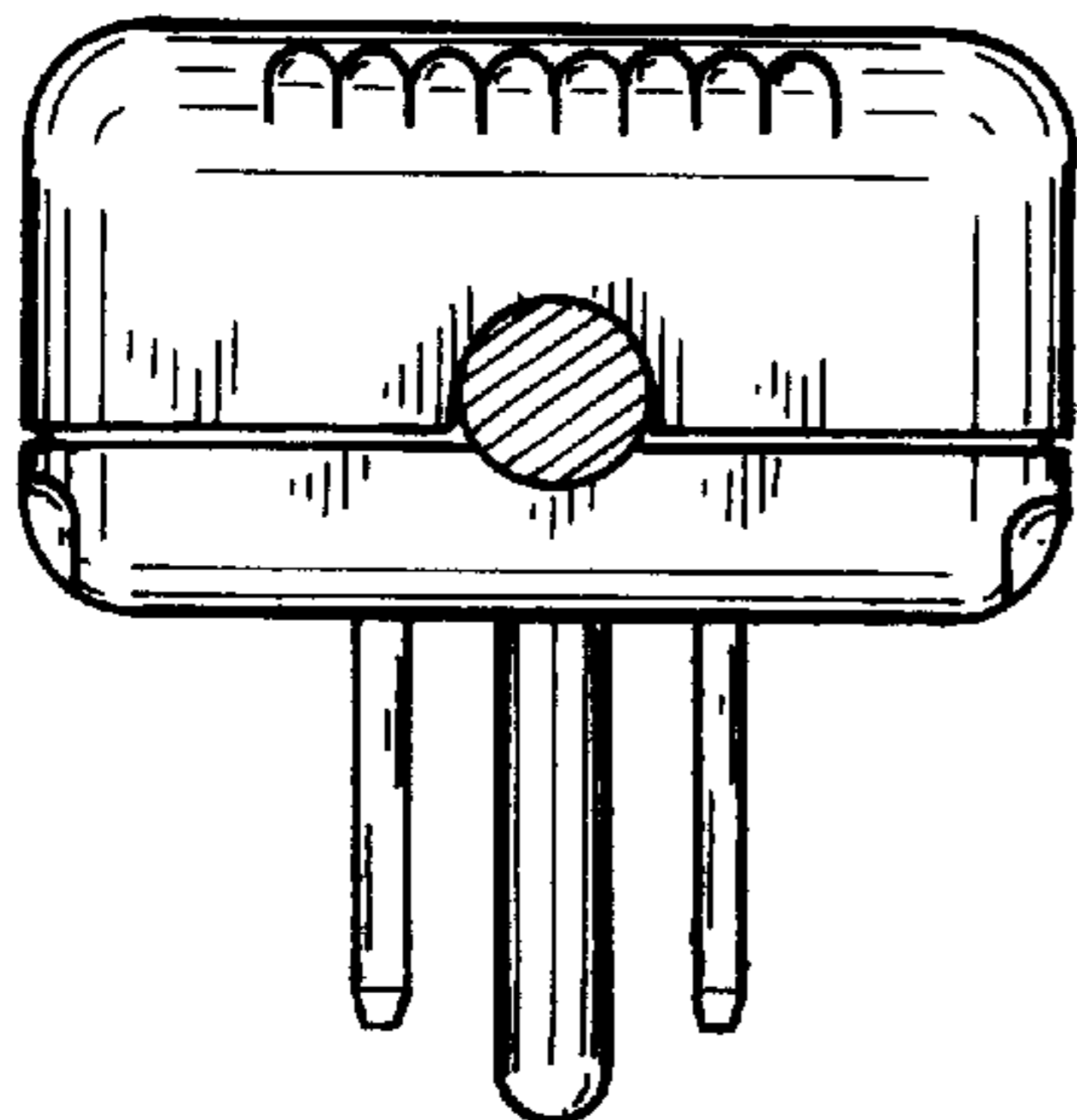


FIG. 3

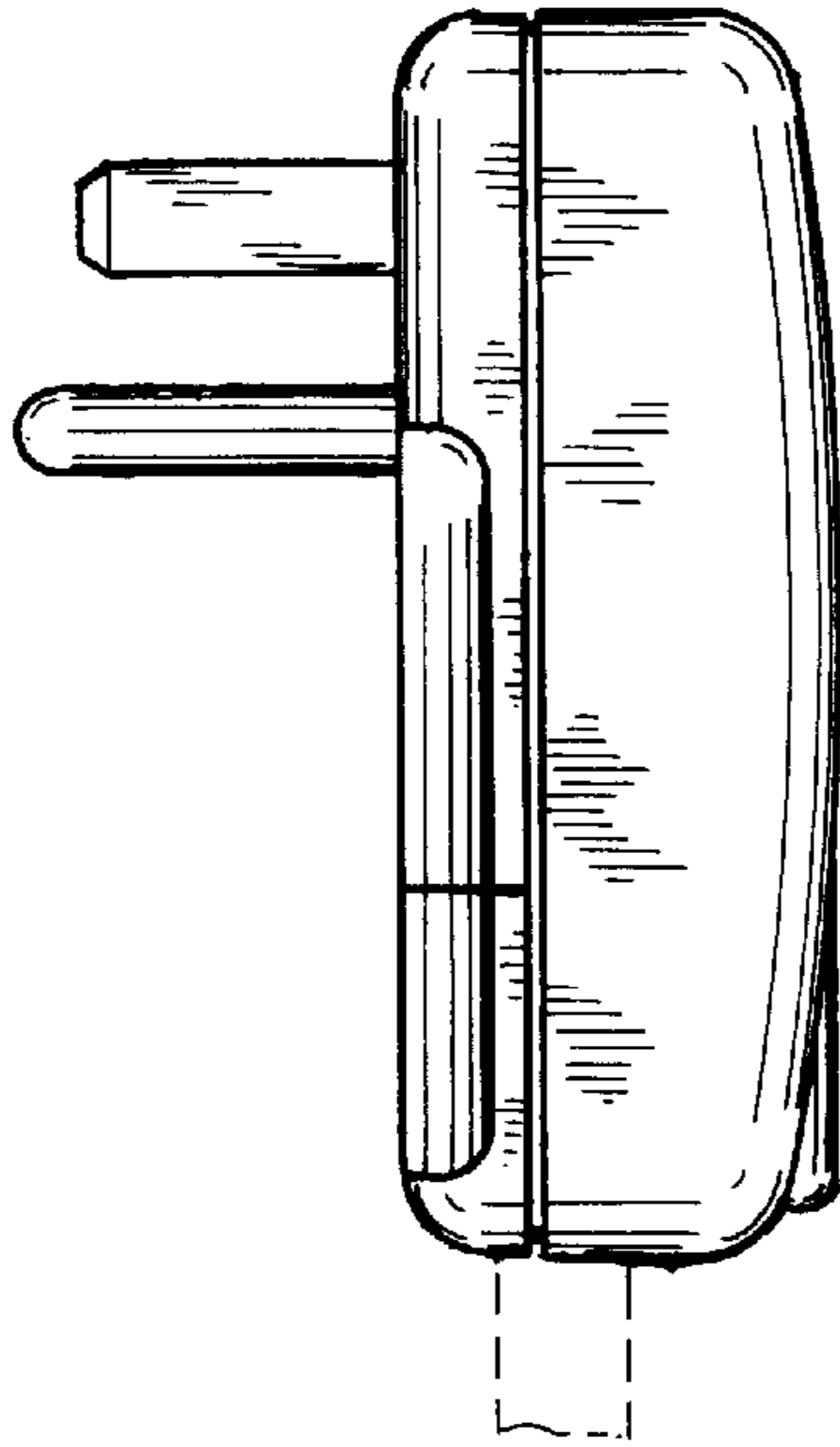


FIG. 4

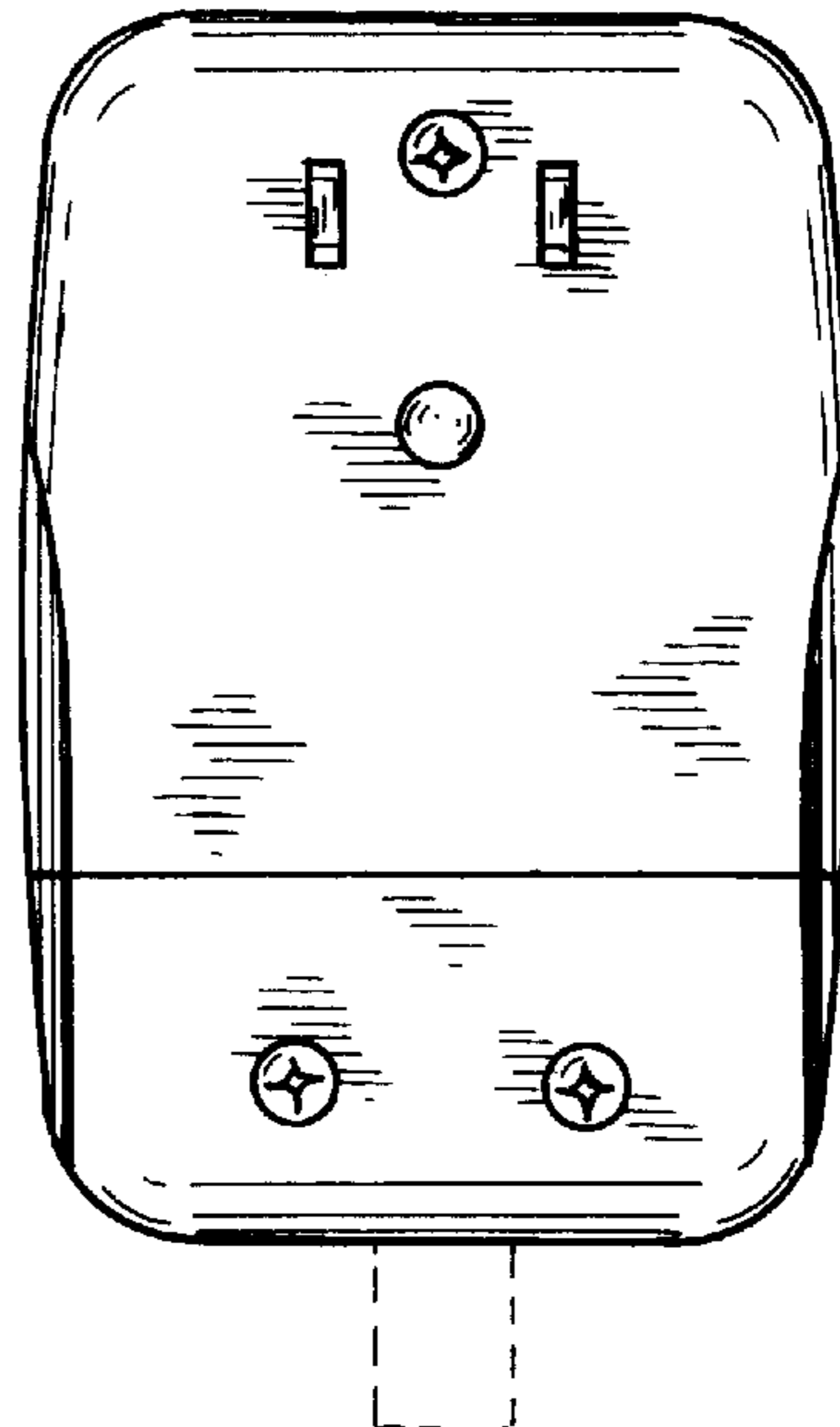


FIG. 5

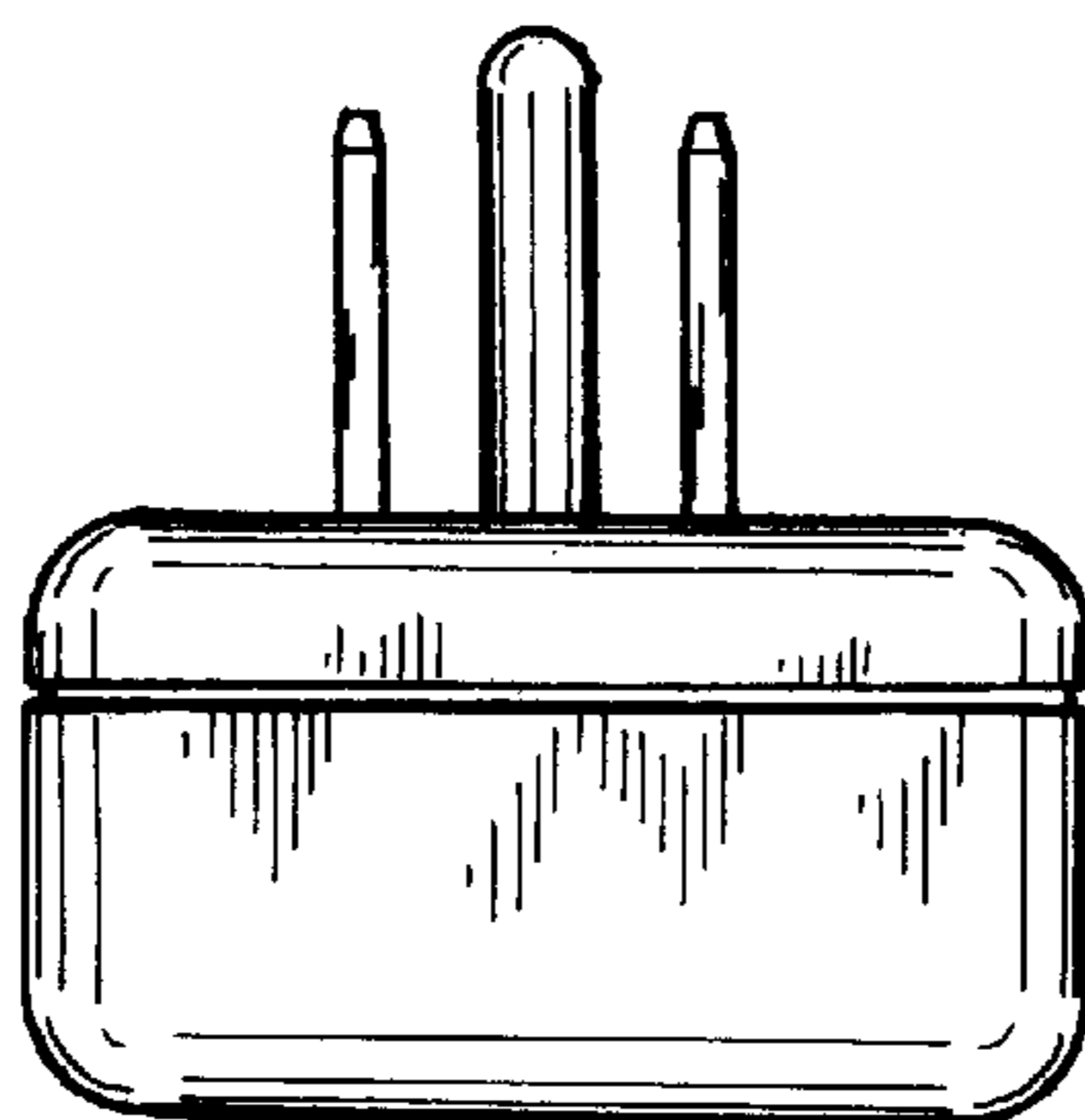


FIG. 6

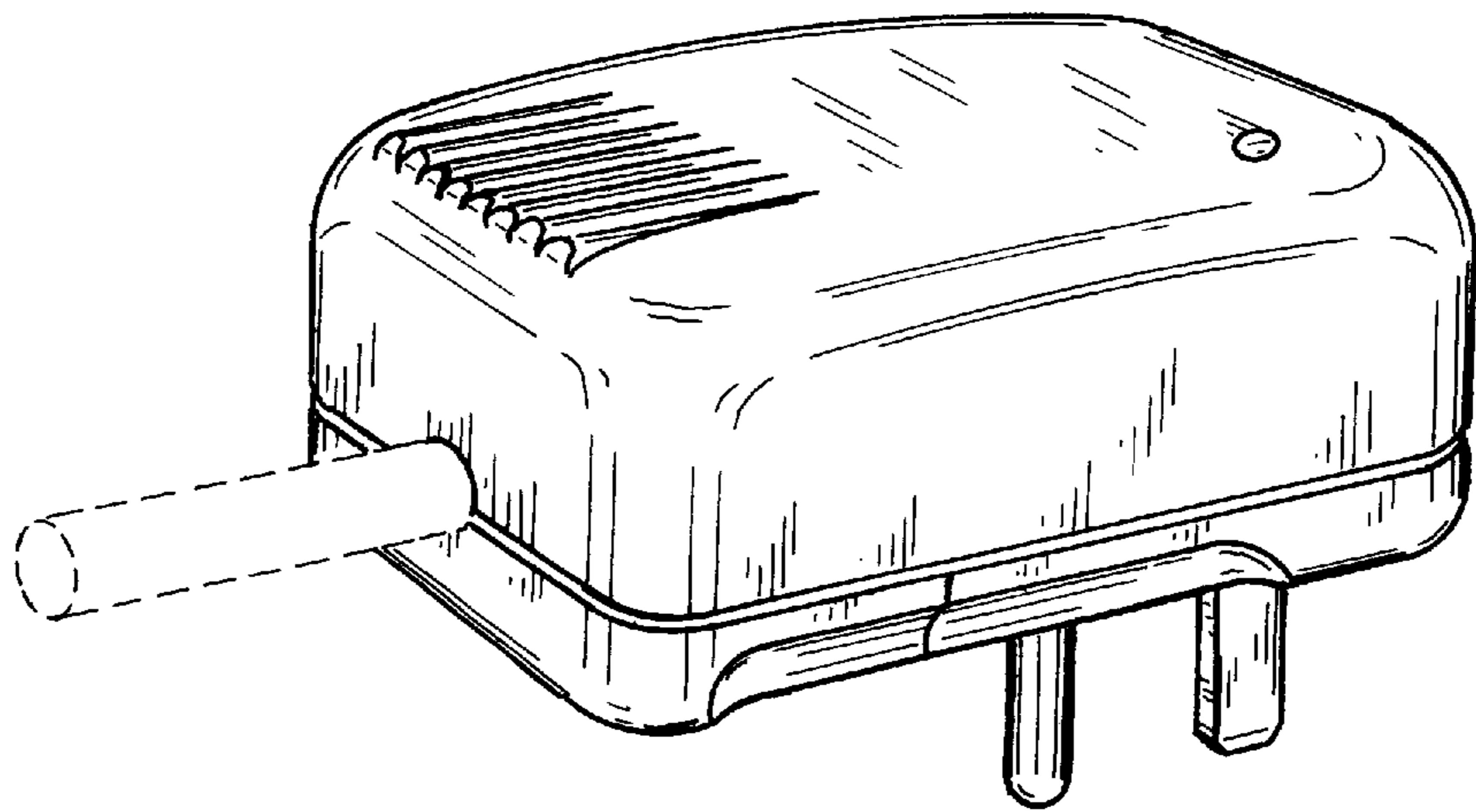


FIG. 7