



US00D401551S

United States Patent [19] Kim

[11] **Patent Number: Des. 401,551**

[45] **Date of Patent: **Nov. 24, 1998**

[54] **BATTERY FOR A VEHICLE**

D. 294,484 3/1988 Kellett et al. D13/106
D. 310,821 9/1990 Hulsebus et al. D13/104

[75] Inventor: **Sung Choong Kim**, Seoul, Rep. of Korea

Primary Examiner—Joel Sincavage
Attorney, Agent, or Firm—Birch, Stewart, Kolasch & Birch, LLP

[73] Assignee: **Delkor Corporation**, Kyungbuk, Rep. of Korea

[57] **CLAIM**

[**] Term: **14 Years**

The ornamental design for a battery for a vehicle, as shown and described.

[21] Appl. No.: **77,221**

DESCRIPTION

[22] Filed: **Sep. 29, 1997**

[51] **LOC (6) Cl.** **13-02**

FIG. 1 is a perspective view of a battery for a vehicle showing my new design;

[52] **U.S. Cl.** **D13/106**

FIG. 2 is a front elevational view thereof;

[58] **Field of Search** D13/104, 106;
429/121, 153, 154, 160, 163, 175, 176,
187

FIG. 3 is a rear elevational view thereof;

FIG. 4 is a right and left view thereof;

FIG. 5 is a top plan view thereof;

FIG. 6 is a bottom view thereof; and,

FIG. 7 is a perspective view with a raised handle.

[56] **References Cited**

U.S. PATENT DOCUMENTS

D. 109,401 4/1938 Greene D13/104

1 Claim, 2 Drawing Sheets

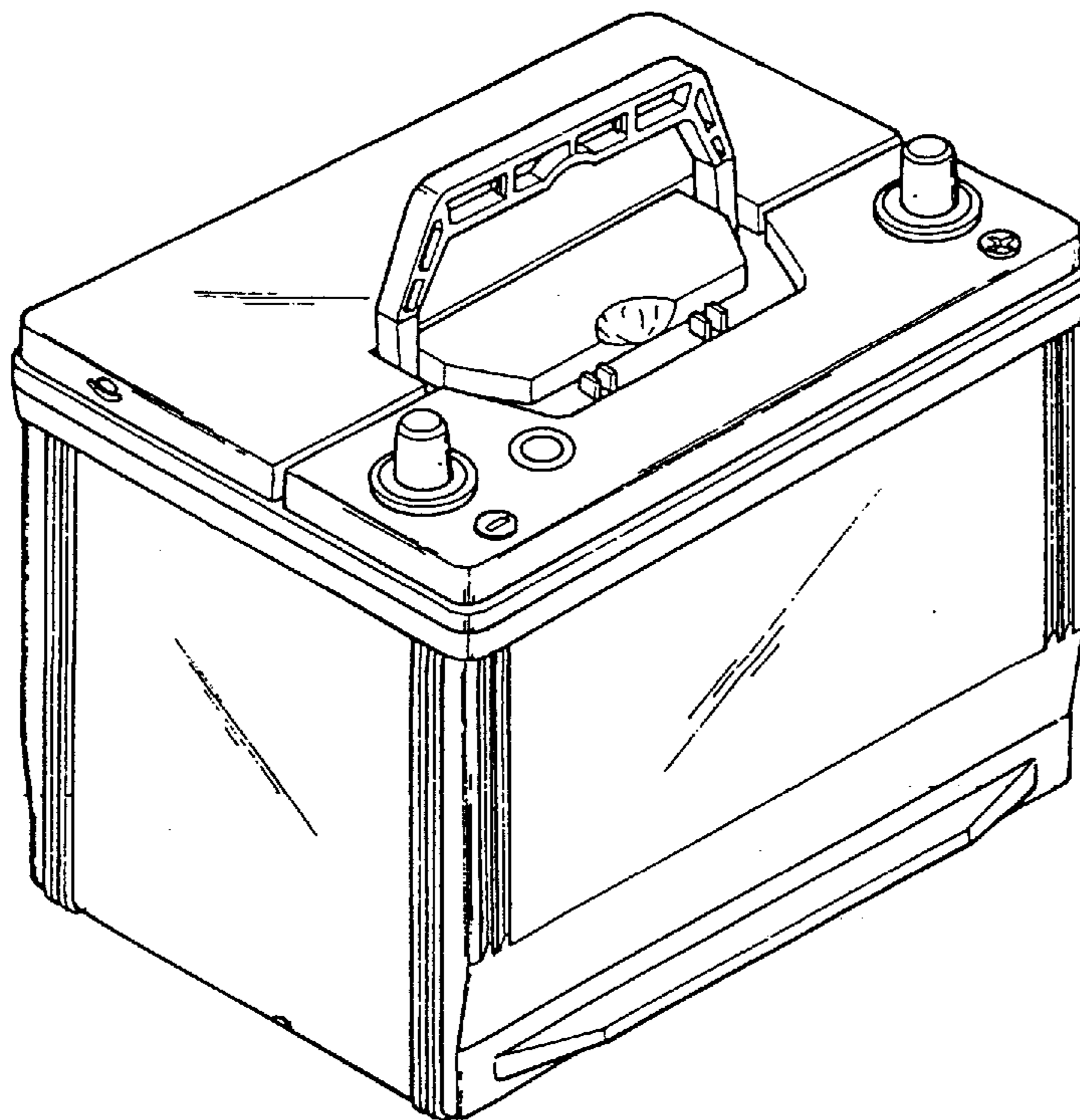


FIG. 1

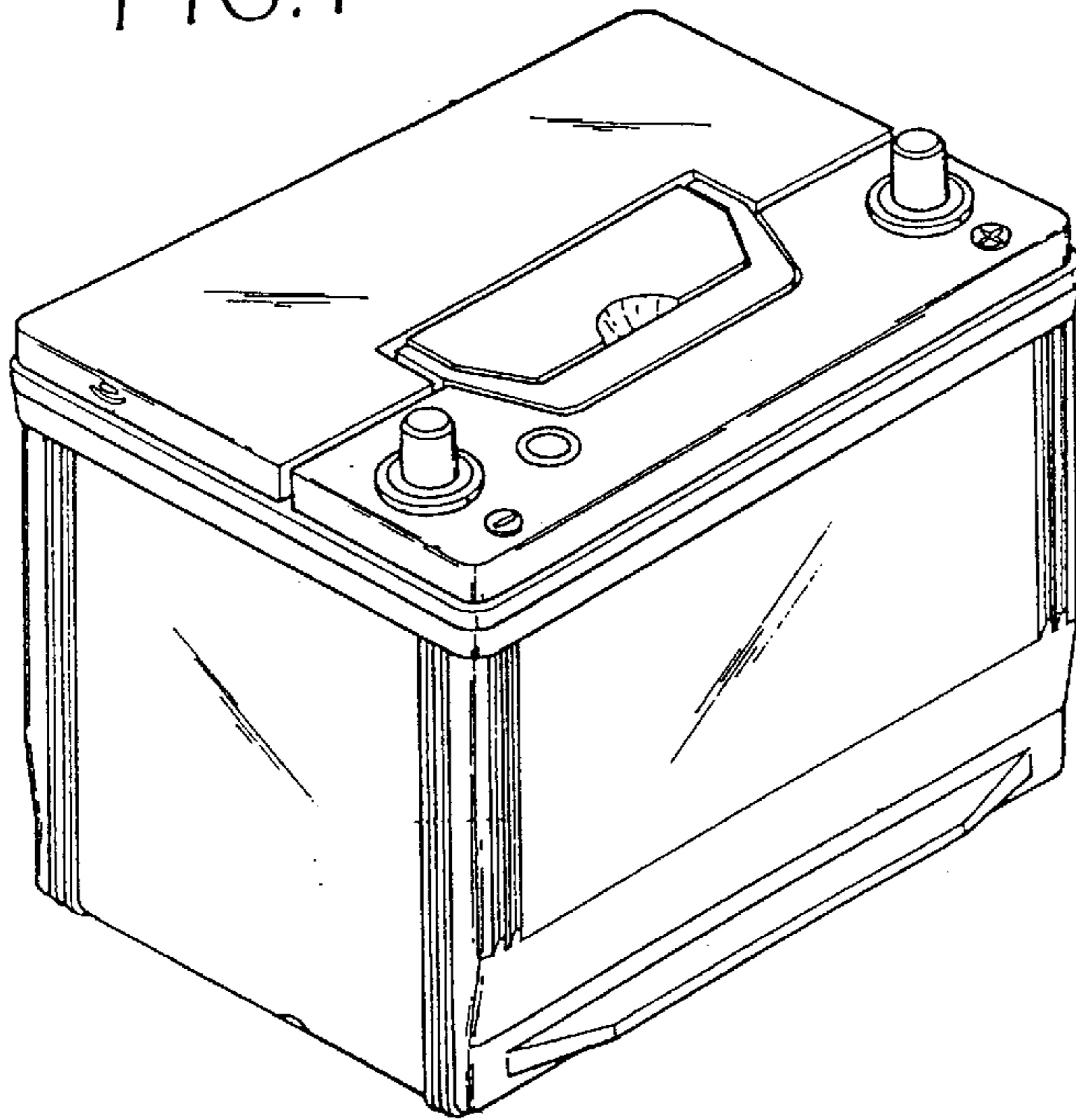


FIG. 2

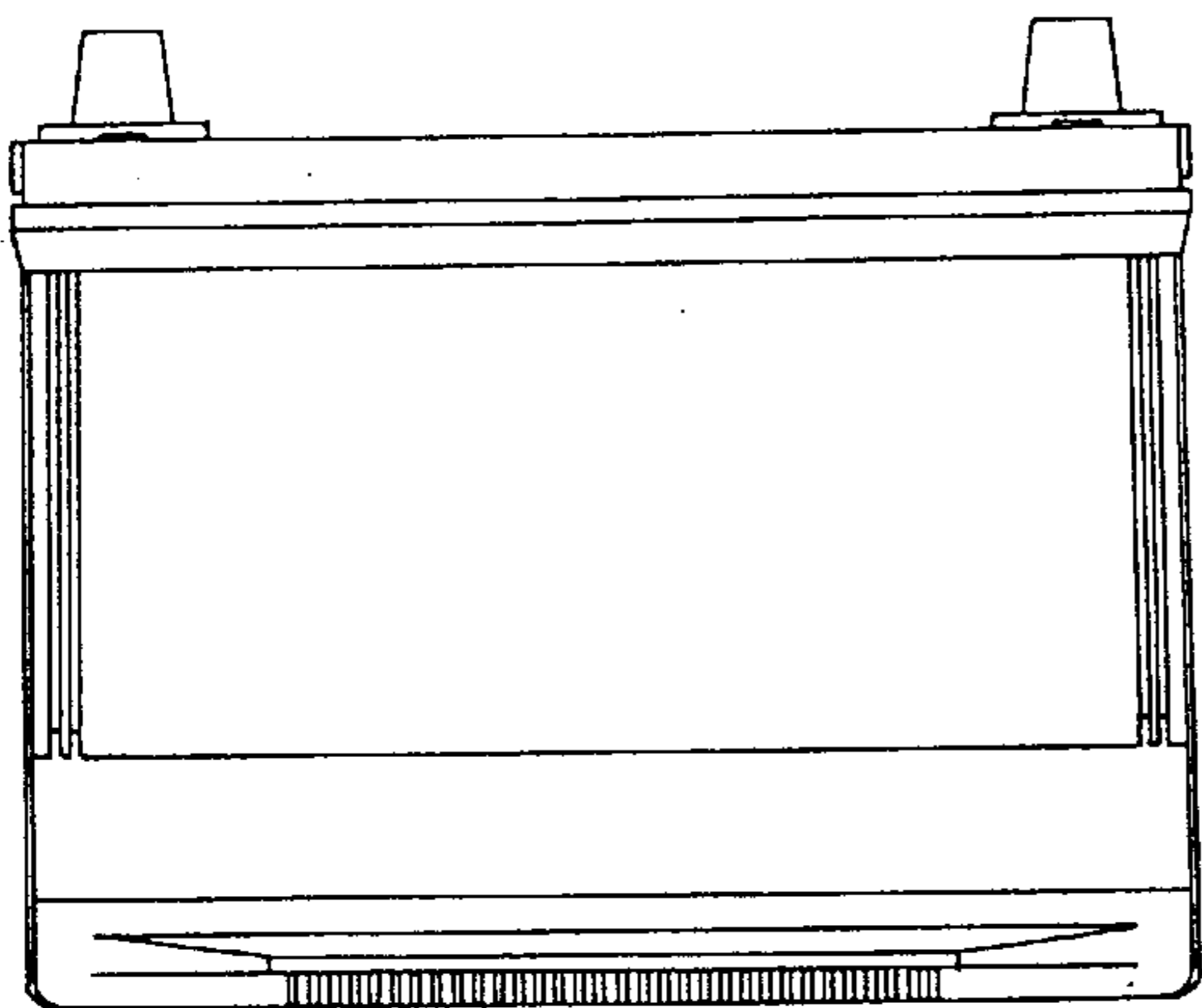


FIG. 3

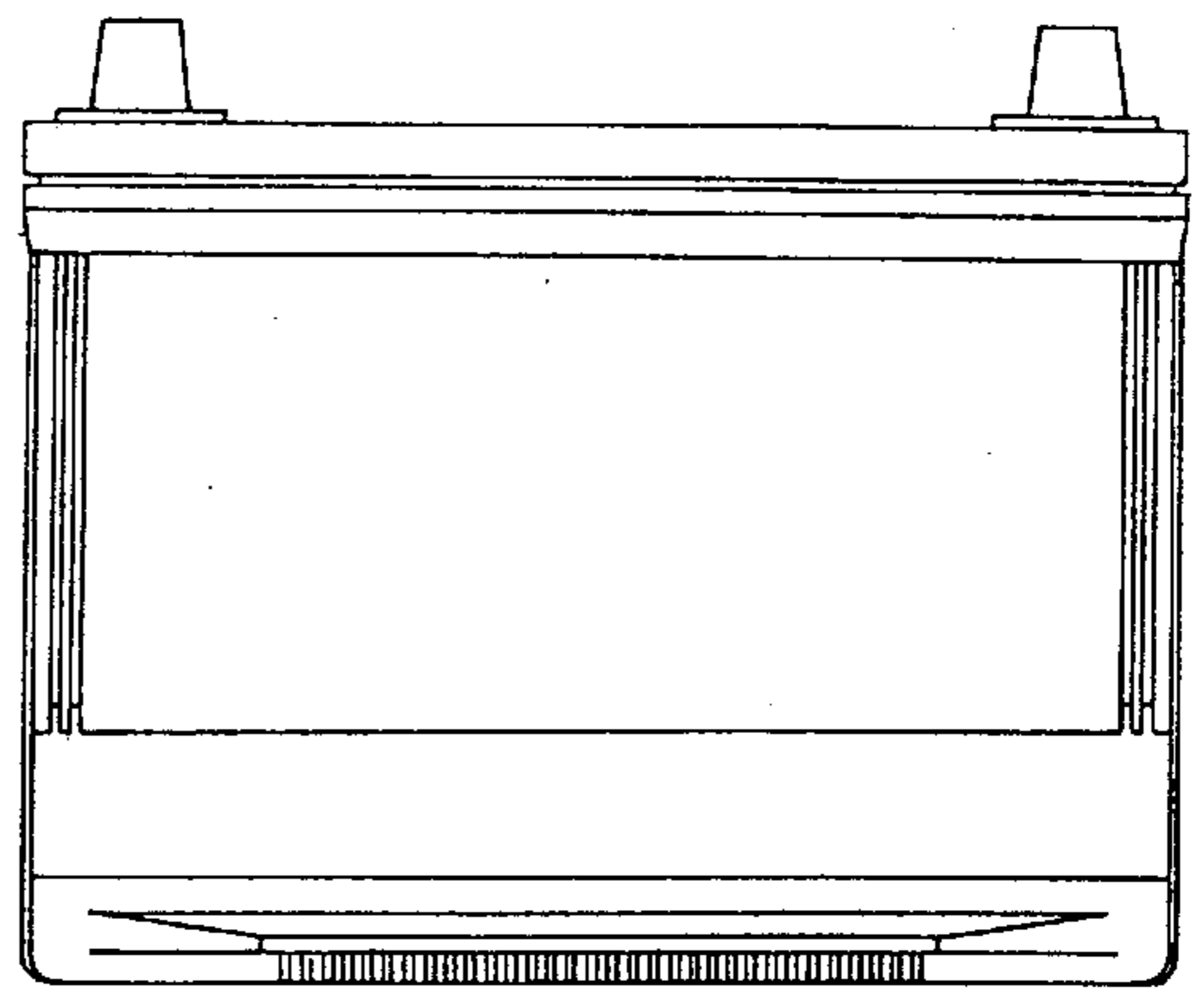


FIG. 4

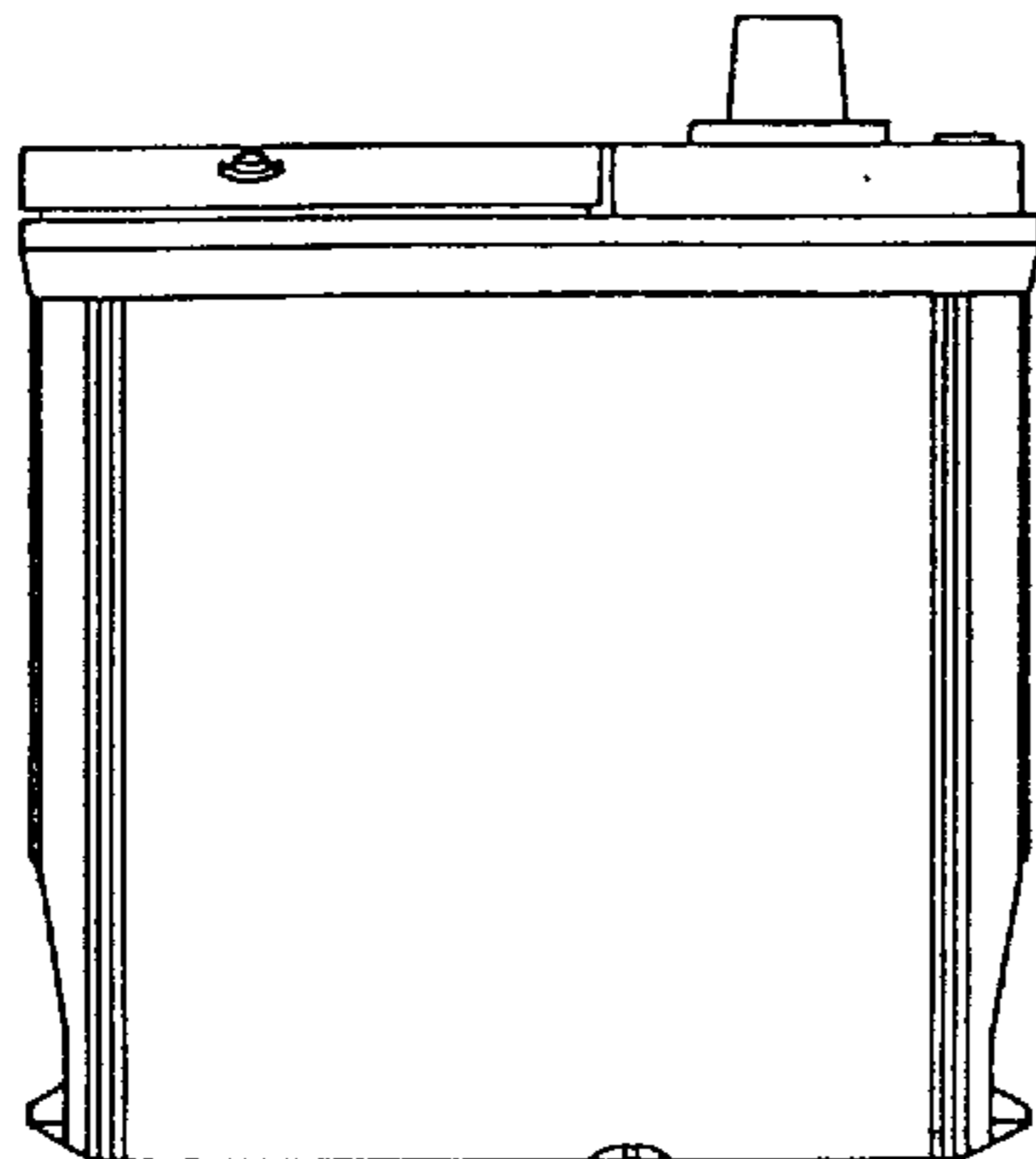


FIG. 5

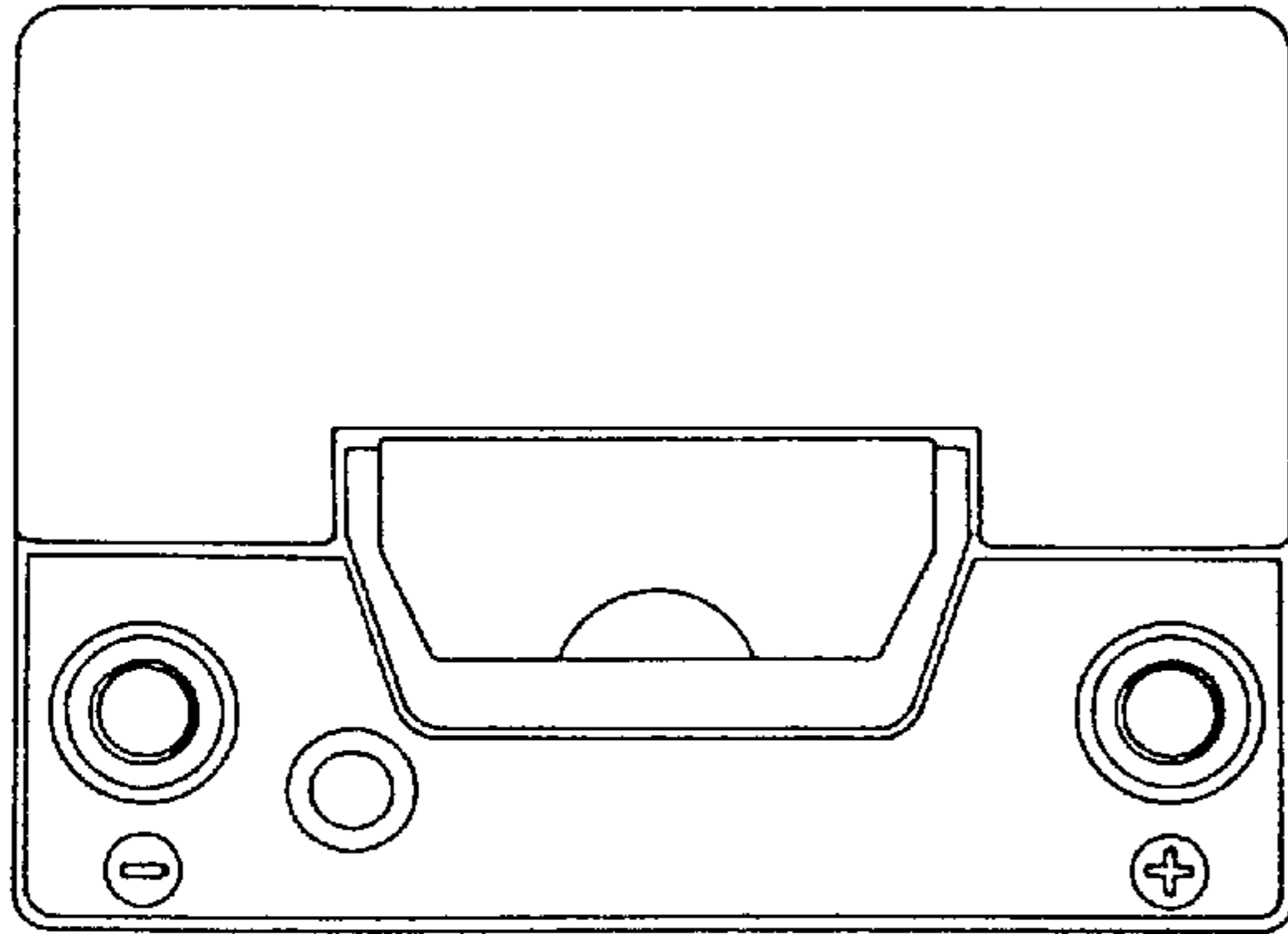


FIG. 6

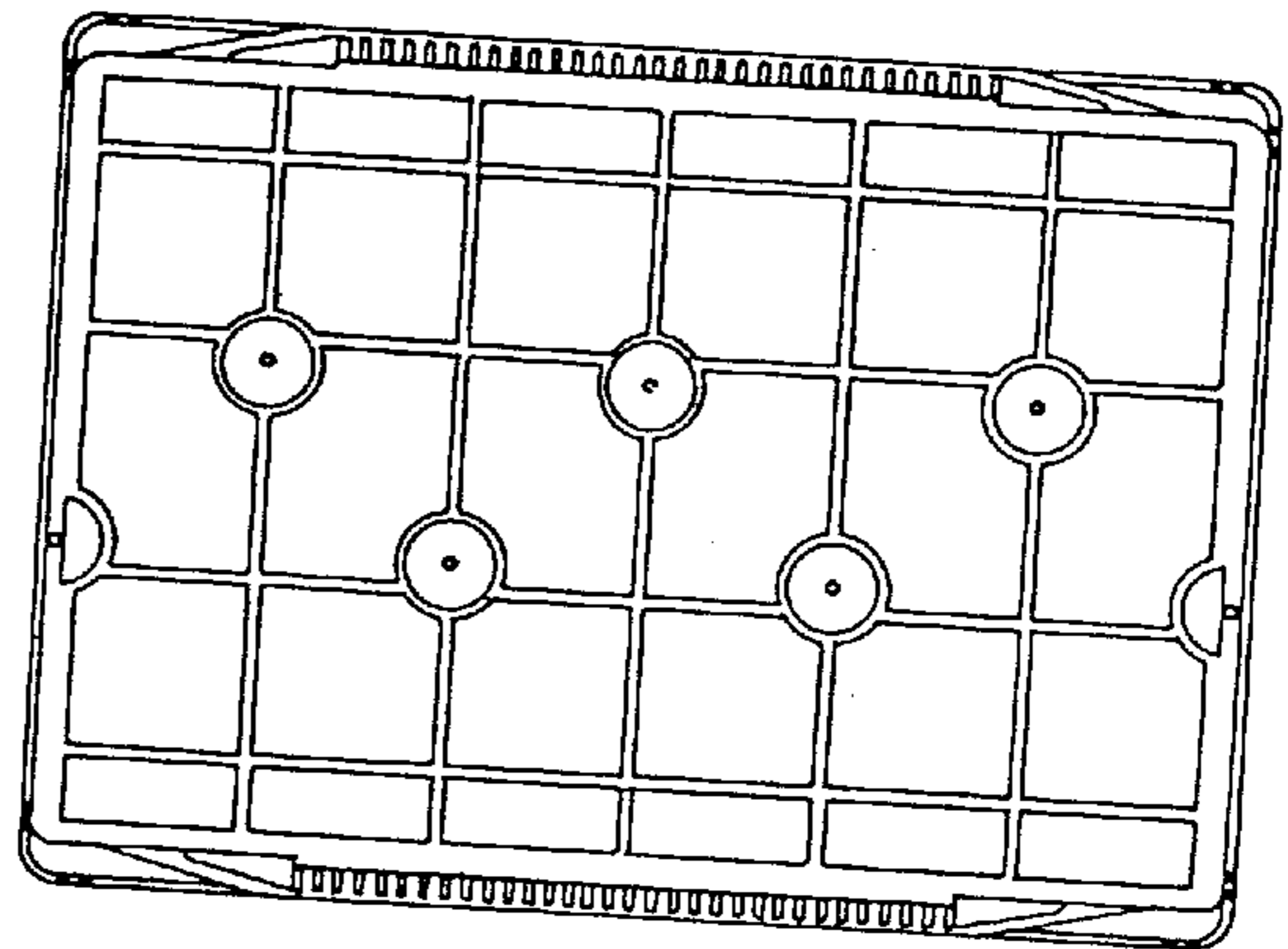


FIG. 7

