



US00D401547S

United States Patent [19] Karliner

[11] **Patent Number: Des. 401,547**
[45] **Date of Patent: **Nov. 24, 1998**

[54] **AERATOR FLOAT**
[75] **Inventor: Rudolf R. Karliner**, Minnetonka, Minn.
[73] **Assignee: Aeration Industries International, Inc.**, Chaska, Minn.
[**] **Term: 14 Years**
[21] **Appl. No.: 74,780**
[22] **Filed: Aug. 1, 1997**
[51] **LOC (6) Cl. 12-06**
[52] **U.S. Cl. D12/316; D21/237**
[58] **Field of Search D12/300-318; 114/258, 262, 266, 352, 351, 283; 441/35, 130, 131, 129, 86, 88**

4,741,870 5/1988 Gross 261/93
4,774,031 9/1988 Schurz 261/87
4,806,251 2/1989 Durda 210/747
4,844,816 7/1989 Fuchs et al. 210/758
4,844,843 7/1989 Rajendren 261/30
4,926,781 5/1990 Bauer 114/351
4,954,295 9/1990 Durda 261/16
5,110,510 5/1992 Norcross 261/91
5,116,501 5/1992 House 210/242.2
5,160,667 11/1992 Gross et al. 261/91
5,312,567 5/1994 Kozma et al. 261/87
5,349,918 9/1994 Elie 114/352

OTHER PUBLICATIONS

Redmon, David T. and Winslow, Francis B., "Measuring the impact of a 3-hp. blower assist on the aeration efficiency of a 50-hp. aspiring aerator", *Tappi Journal*, Jan. 1992, pp. 105-110.

Primary Examiner—Kay H. Chin
Attorney, Agent, or Firm—Crompton, Seager & Tufte, LLC

[56] **References Cited**
U.S. PATENT DOCUMENTS
D. 228,312 9/1973 Harmon D12/316
955,879 4/1964 Hollyoak .
2,314,624 3/1943 Macaulay 114/26
2,453,155 11/1948 Nelson et al. 114/43.5
2,876,726 3/1959 Robishaw 114/0.5
3,349,415 10/1967 Scholle 9/2
3,400,918 9/1968 MacLaren 261/87
3,478,710 11/1969 Bethurem 114/0.5
3,650,513 3/1972 Werner 261/87
3,755,142 8/1973 Whipple, Jr. 210/63
4,240,990 12/1980 Inhofer et al. 261/87
4,280,911 7/1981 Durda et al. 210/629
4,587,064 5/1986 Blum 261/37
4,741,825 5/1988 Schiller 230/170

[57] **CLAIM**
The ornamental design for a aerator float, as shown and described.

DESCRIPTION

FIG. 1 is a perspective view of an aerator float showing my new design;
FIG. 2 is a side view of both sides thereof;
FIG. 3 is a front view thereof;
FIG. 4 is a top plan view thereof;
FIG. 5 is a bottom view thereof; and,
FIG. 6 is a rear view thereof.

1 Claim, 2 Drawing Sheets

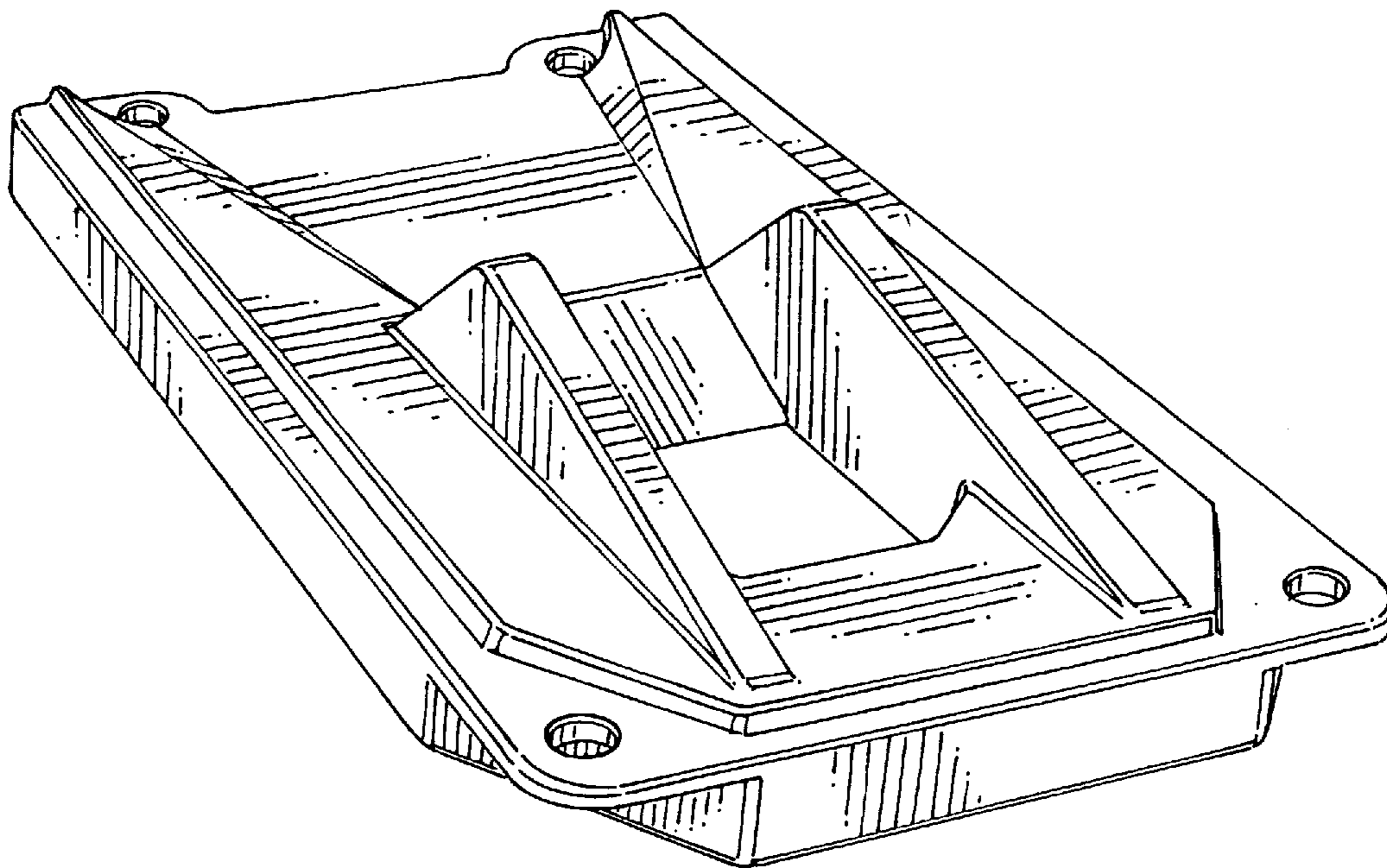


Fig.1

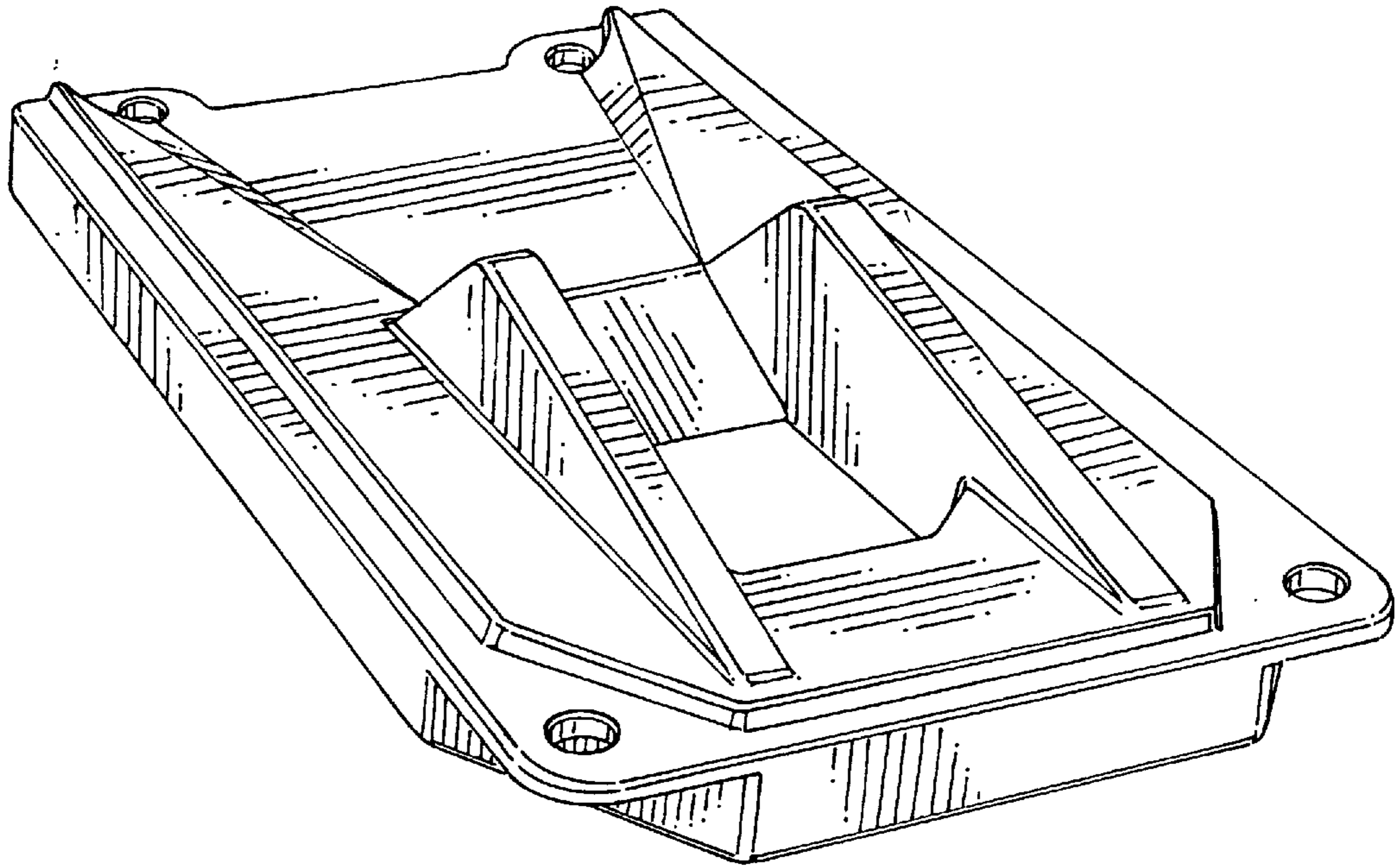


Fig.2

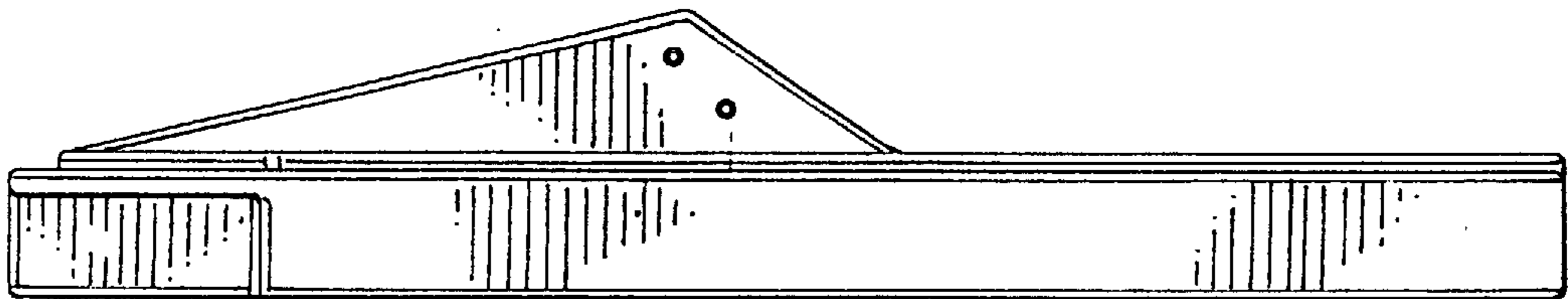


Fig.3

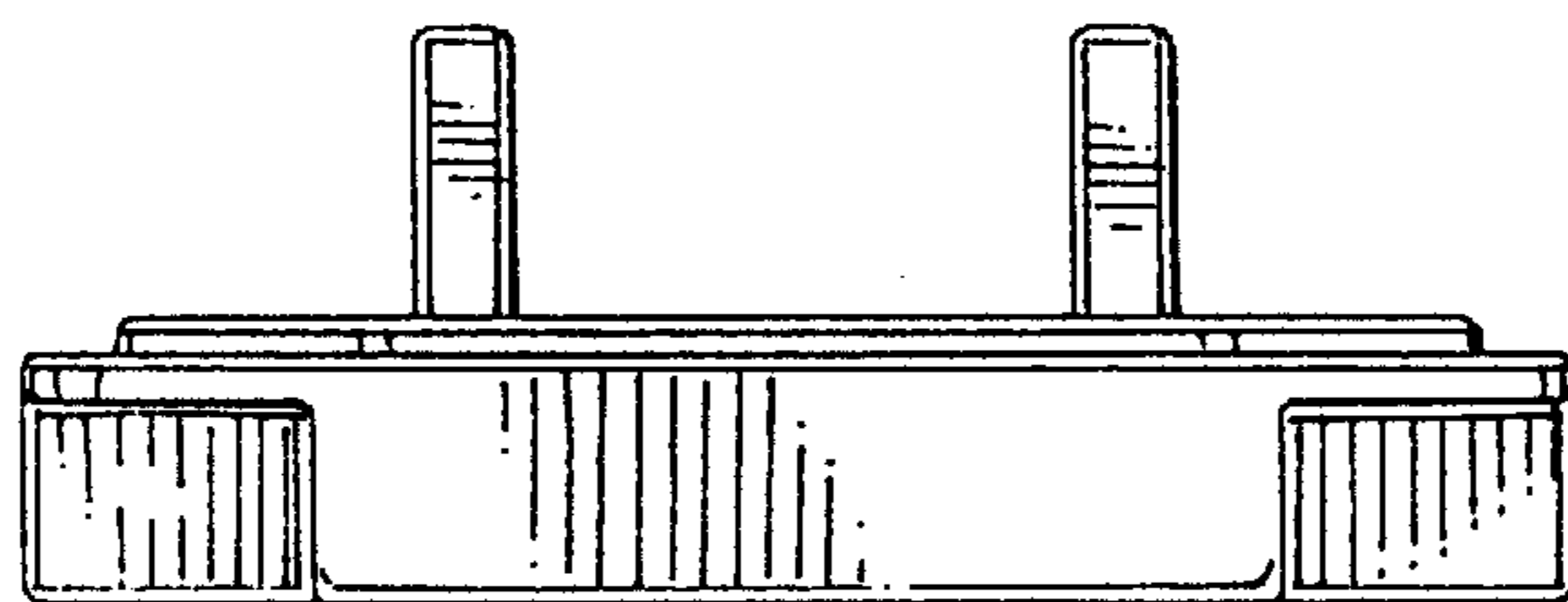


Fig.4

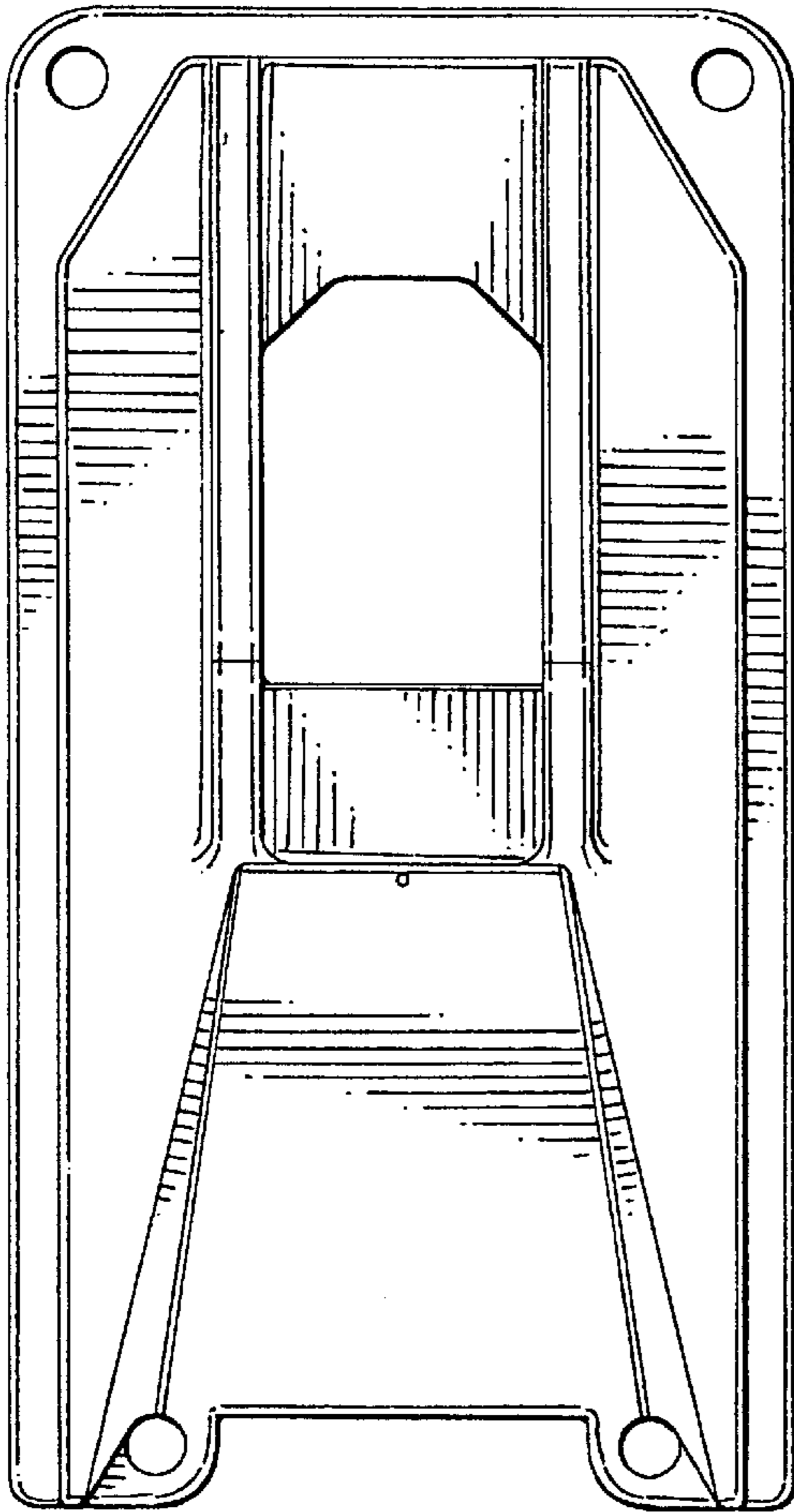


Fig.5

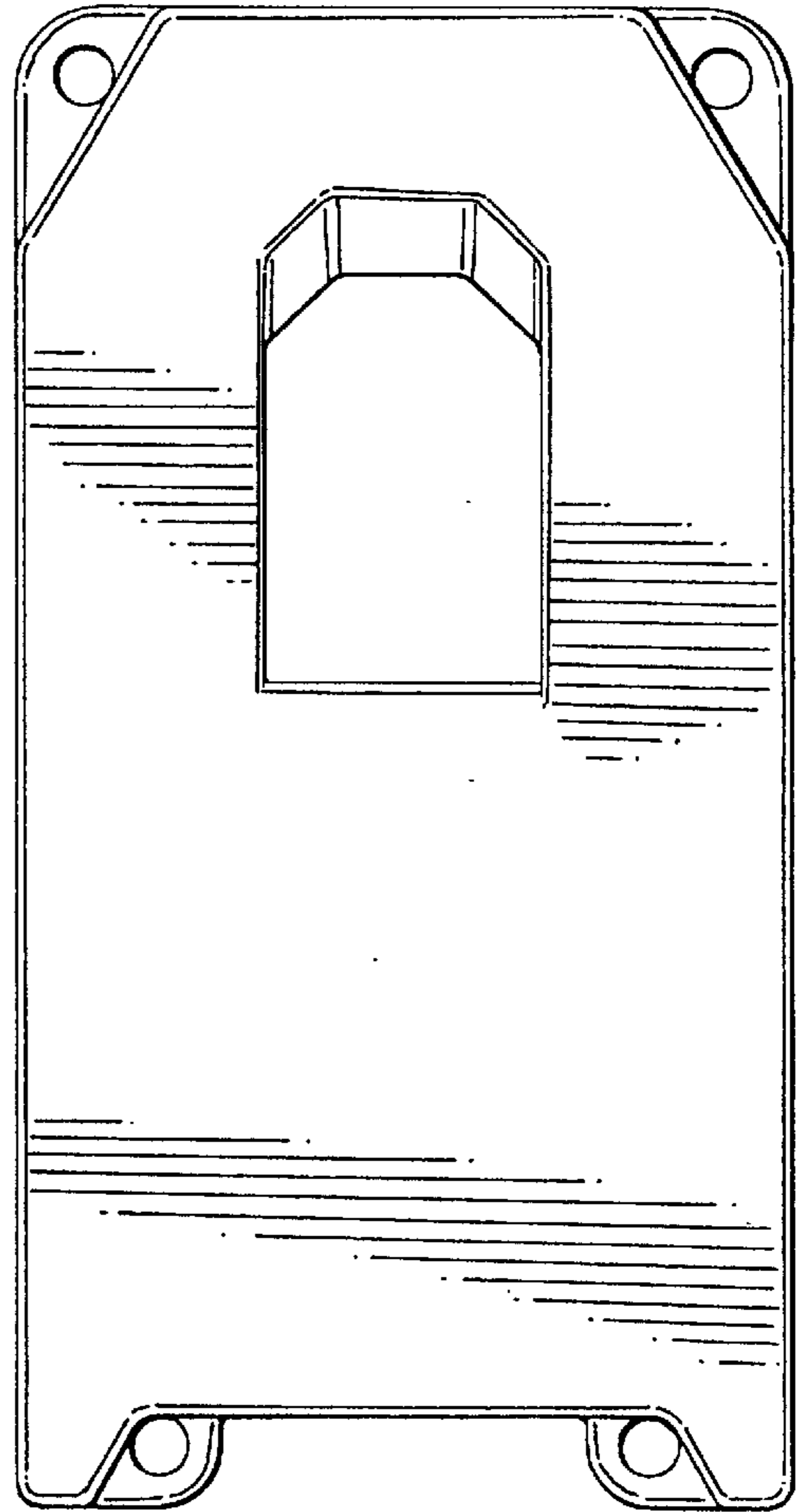


Fig.6

