

US00D401543S

United States Patent [19]
Mobley

[11] **Patent Number: Des. 401,543**
[45] **Date of Patent: **Nov. 24, 1998**

[54] **DESIGN FOR A VEHICLE GRILLE**

D. 366,859 2/1996 Davis, Jr. D12/163

[75] Inventor: **Gary C. Mobley**, Whitelake, Mich.

Primary Examiner—Melody N. Brown
Attorney, Agent, or Firm—Gifford, Krass, Groh, Sprinkle,
Patmore, Anderson & Citkowski, P.C.

[73] Assignee: **Gregory A. Lesnau**, White Lake,
Mich.; a part interest

[**] Term: **14 Years**

[57] **CLAIM**

I claim the ornamental design for a vehicle grille, as shown
and described.

[21] Appl. No.: **66,604**

DESCRIPTION

[22] Filed: **Feb. 18, 1997**

FIG. 1 is a perspective view of the vehicle grille showing my
new design;

[51] **LOC (6) Cl.** **12-16**

[52] **U.S. Cl.** **D12/163**

FIG. 2 is a front view of the vehicle grille;

[58] **Field of Search** D12/163, 216;

180/68.6; 296/194

FIG. 3 is a top view of the vehicle grille;

FIG. 4 is a right side view of the vehicle grille, with the left
side view being a mirror image;

[56] **References Cited**

U.S. PATENT DOCUMENTS

D. 310,650 9/1990 Cressoni D12/163

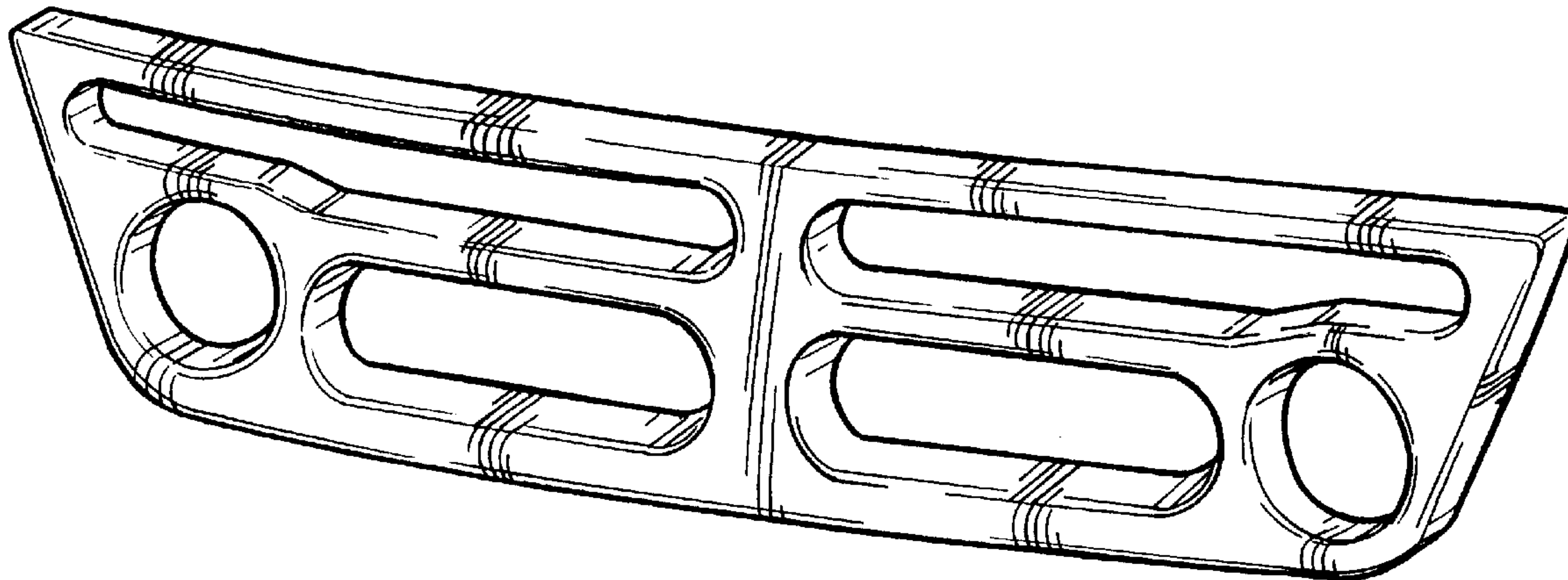
D. 312,437 11/1990 Yamamoto D12/163

D. 355,156 2/1995 Davis D12/163

FIG. 5 is a cross sectional view taken along line 5—5 in FIG.
2; and,

FIG. 6 is a cross sectional view taken along line 6—6 in FIG.
2.

1 Claim, 2 Drawing Sheets



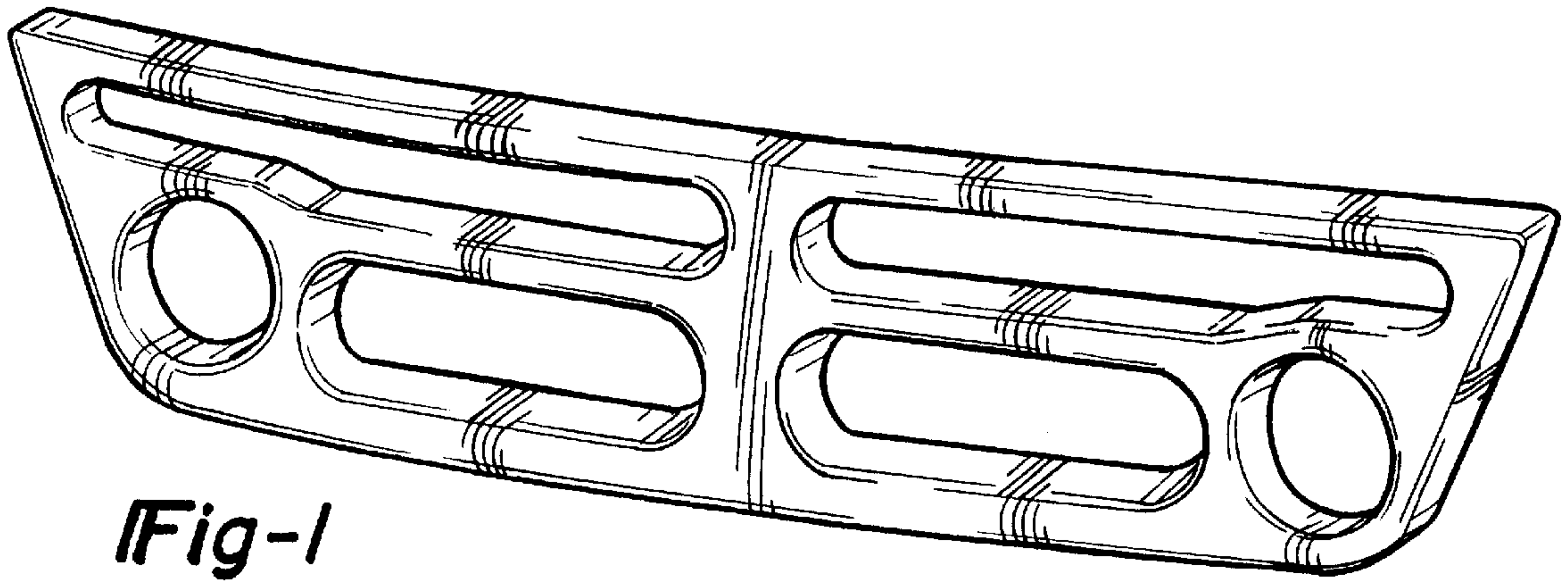


Fig-1

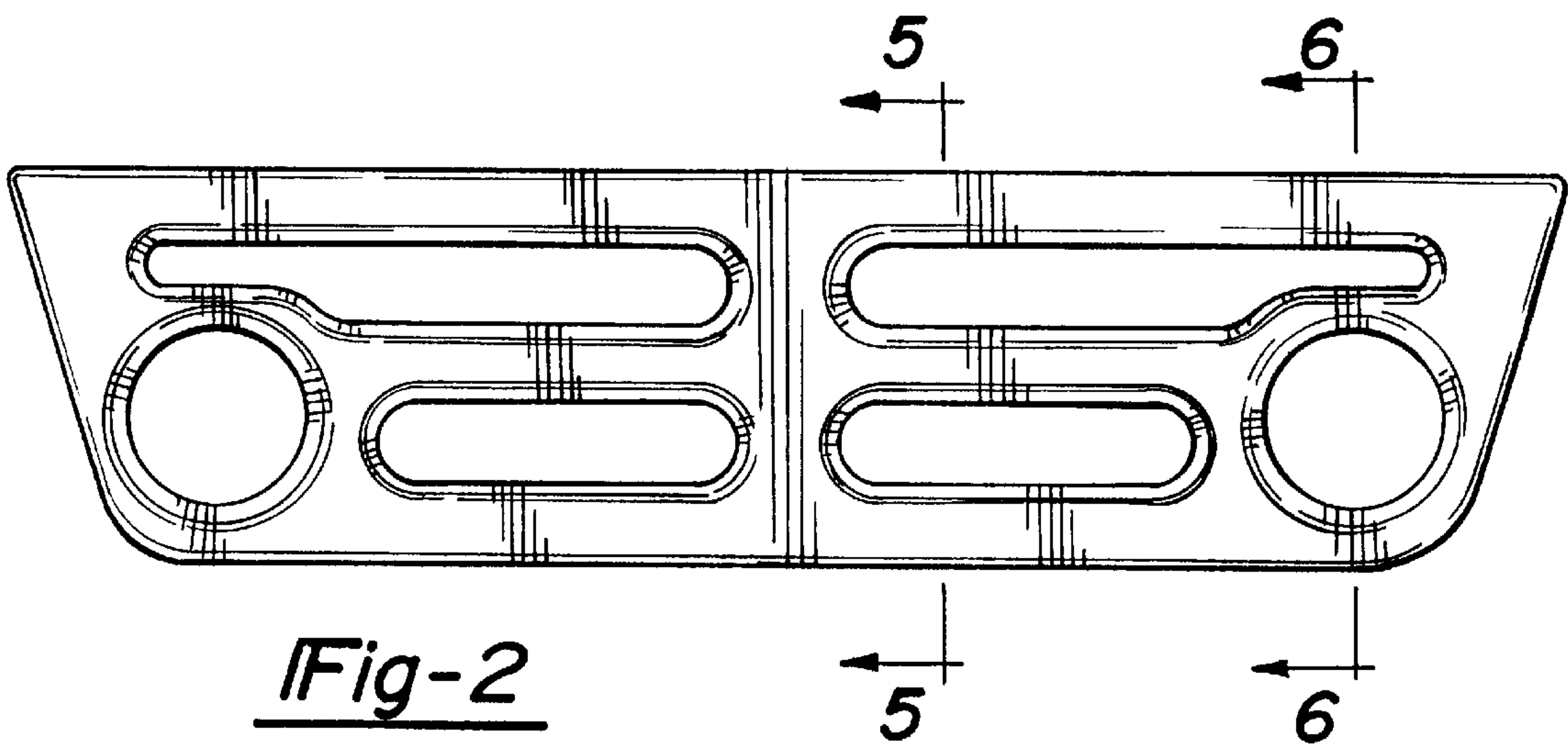


Fig-2



Fig-3



Fig-4



Fig-5

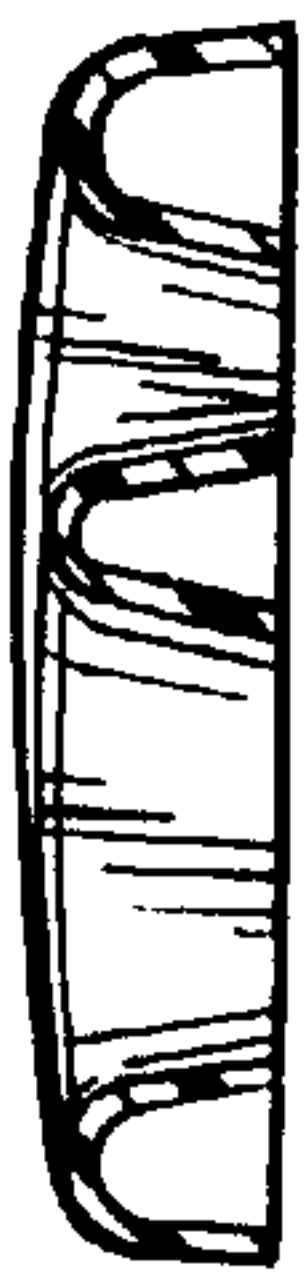


Fig-6