



US00D401538S

# United States Patent [19] Chang

[11] **Patent Number: Des. 401,538**

[45] **Date of Patent: \*\*Nov. 24, 1998**

[54] **CHAINLESS TRANSMISSION UNIT OF A BICYCLE**

5,088,340 2/1992 Seal ..... 74/594.1 X  
5,426,997 6/1995 Brion ..... 74/594.1  
5,653,150 8/1997 Giynouxo ..... 74/594.1

[76] Inventor: **Chen-Ching Chang**, 3/F., No. 37, Jih-Hsin St., Shu-Lin Town, Taipei County, Taiwan

*Primary Examiner*—Melody N. Brown  
*Attorney, Agent, or Firm*—Rosenberg, Klein & Bilker

[\*\*] Term: **14 Years**

[57] **CLAIM**

[21] Appl. No.: **68,599**

The ornamental design for a chainless transmission unit of a bicycle, as shown and described.

[22] Filed: **Mar. 25, 1997**

**DESCRIPTION**

[51] **LOC (6) Cl.** ..... **12-11**

FIG. 1 is a perspective view of a chainless transmission unit of a bicycle showing my new design;  
FIG. 2 is a top plan view thereof;  
FIG. 3 is a bottom plan view thereof;  
FIG. 4 is a front elevational view thereof;  
FIG. 5 is a rear elevational view thereof;  
FIG. 6 is a left side elevational view thereof; and,  
FIG. 7 is a right side elevational view thereof.

[52] **U.S. Cl.** ..... **D12/122; D12/117**

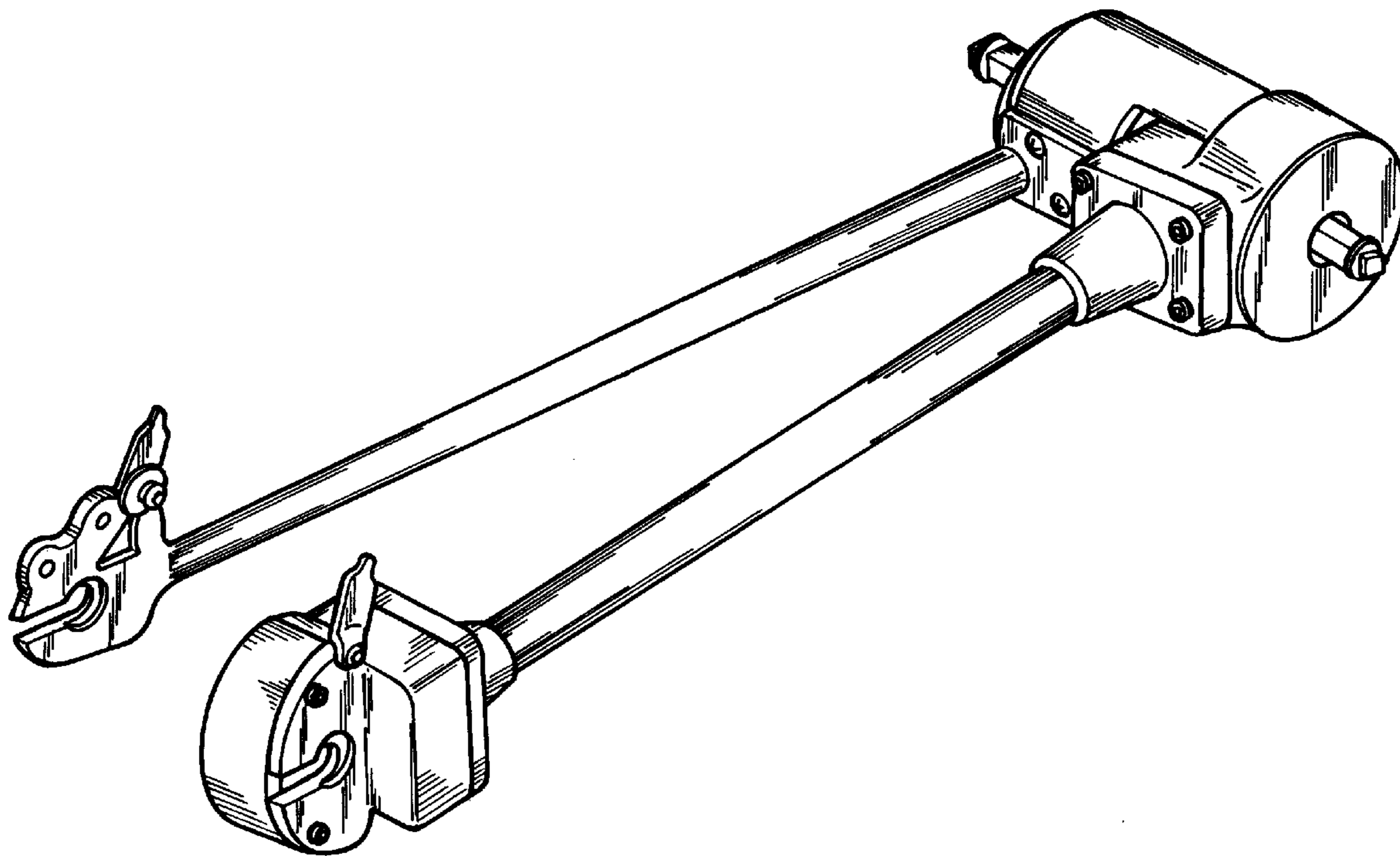
[58] **Field of Search** ..... D12/122; 74/594.1-594.3; 474/143, 149, 152, 153, 160; 280/261, 288.1, 281.1

[56] **References Cited**

**U.S. PATENT DOCUMENTS**

4,846,489 7/1989 Kleinbenne ..... 280/261  
5,078,025 1/1992 Wei et al. .... 74/594.3

**1 Claim, 4 Drawing Sheets**



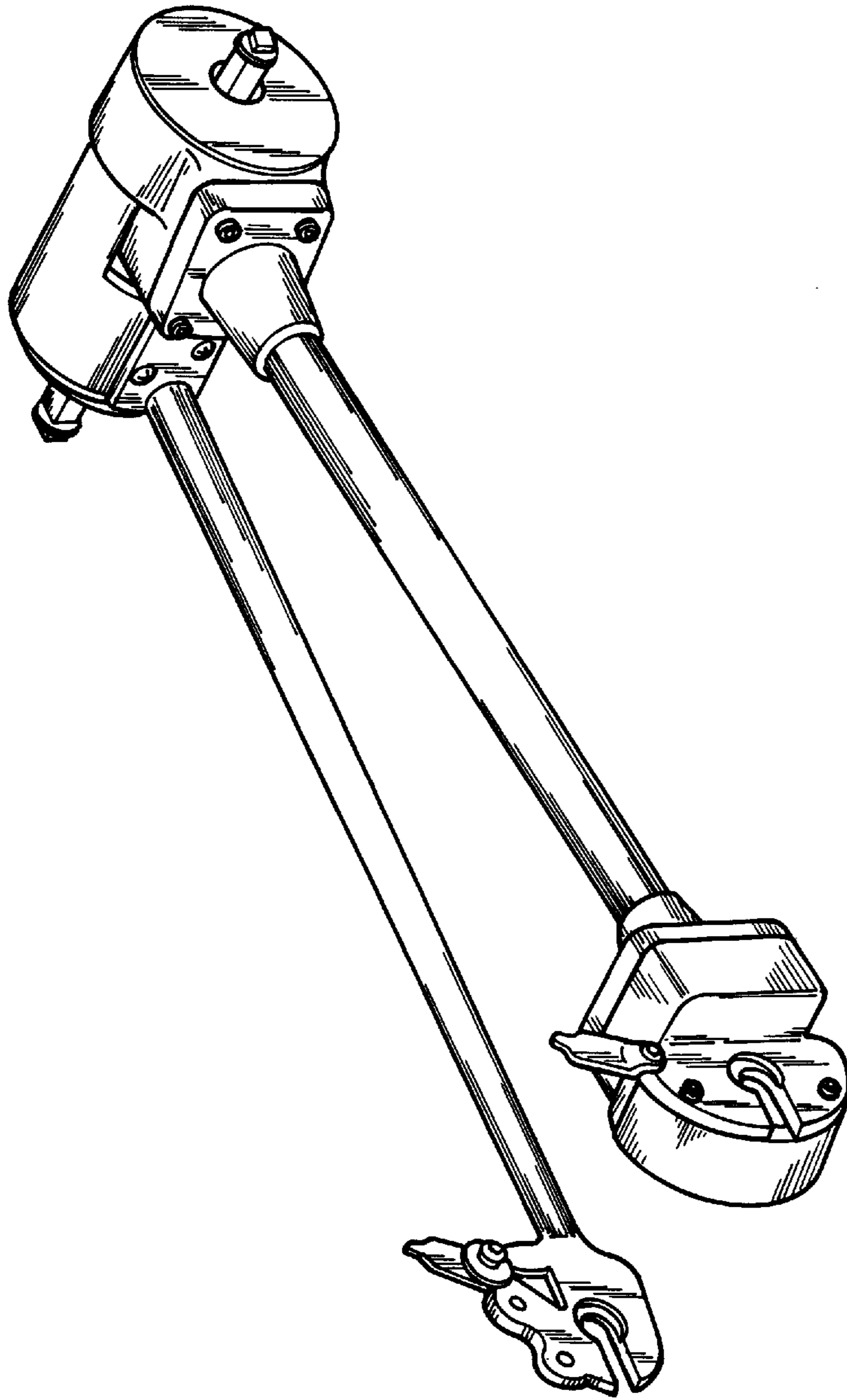


FIG. 1



FIG. 2

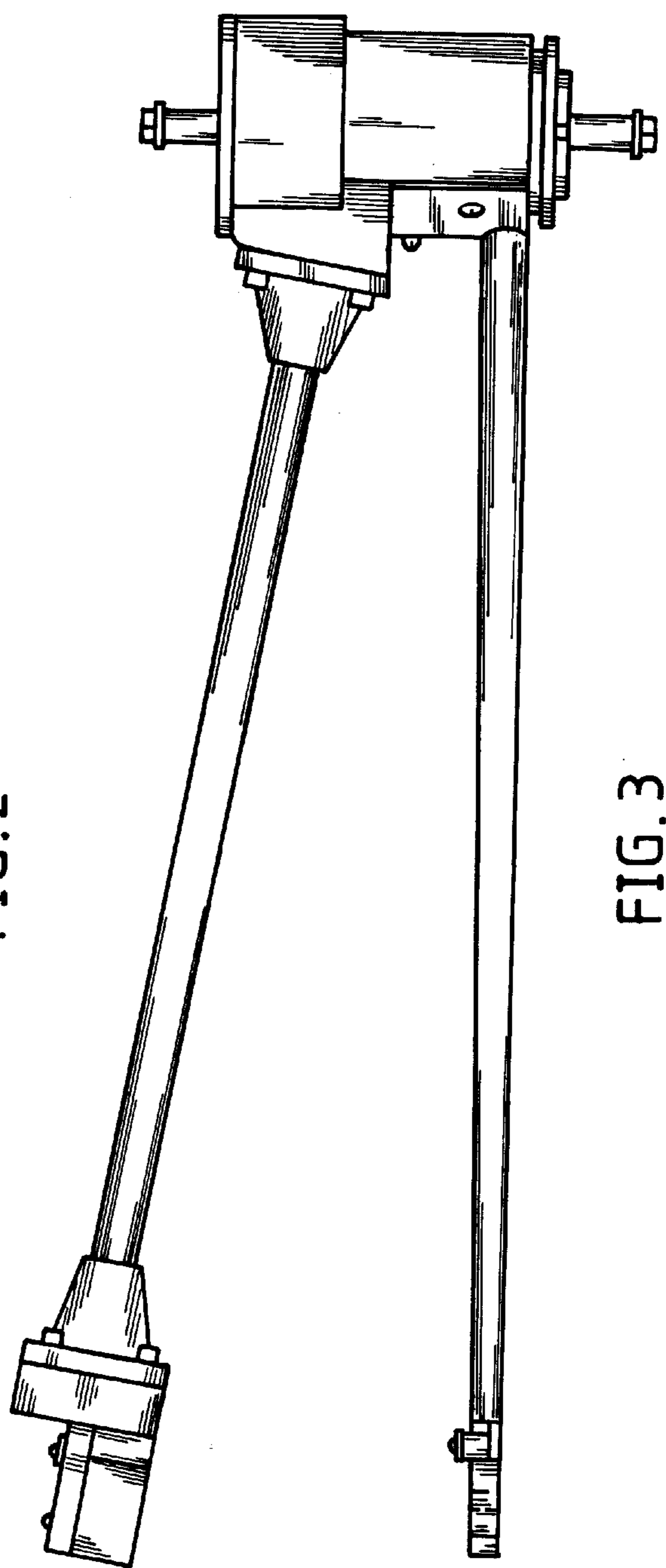


FIG. 3

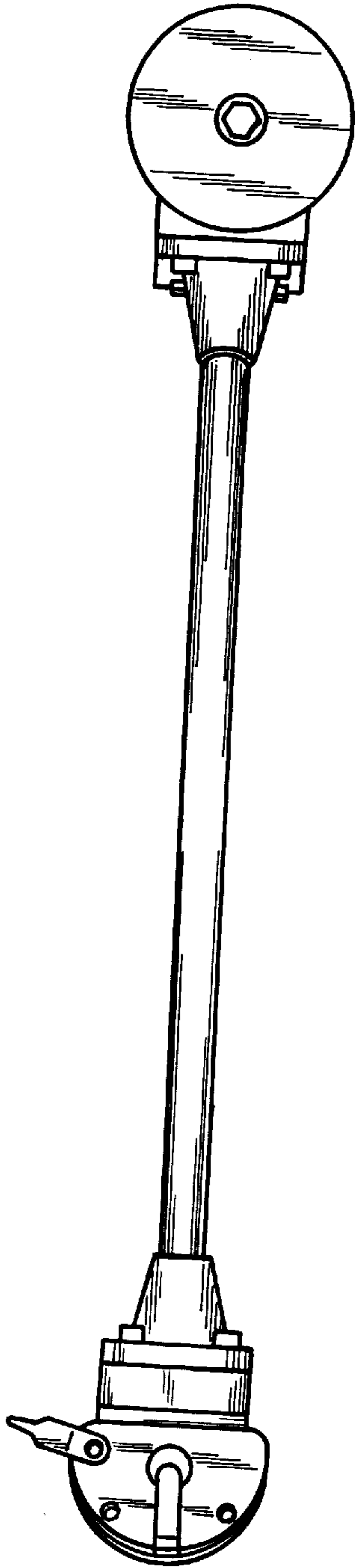


FIG. 4

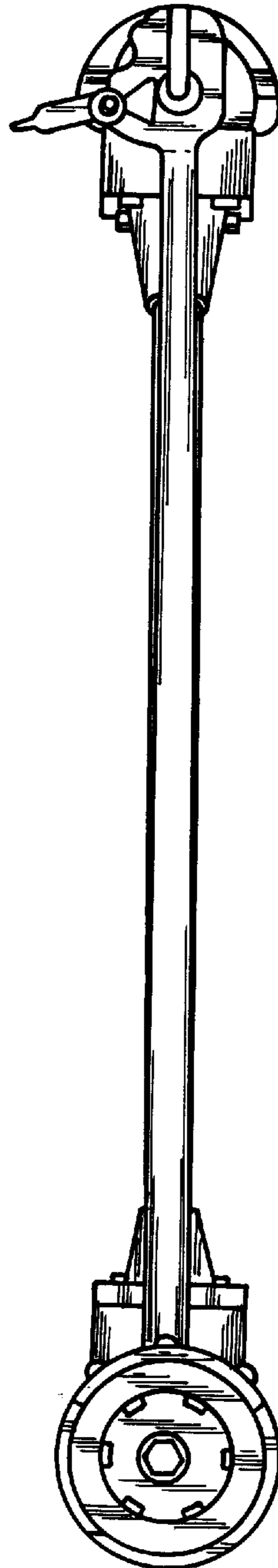


FIG. 5

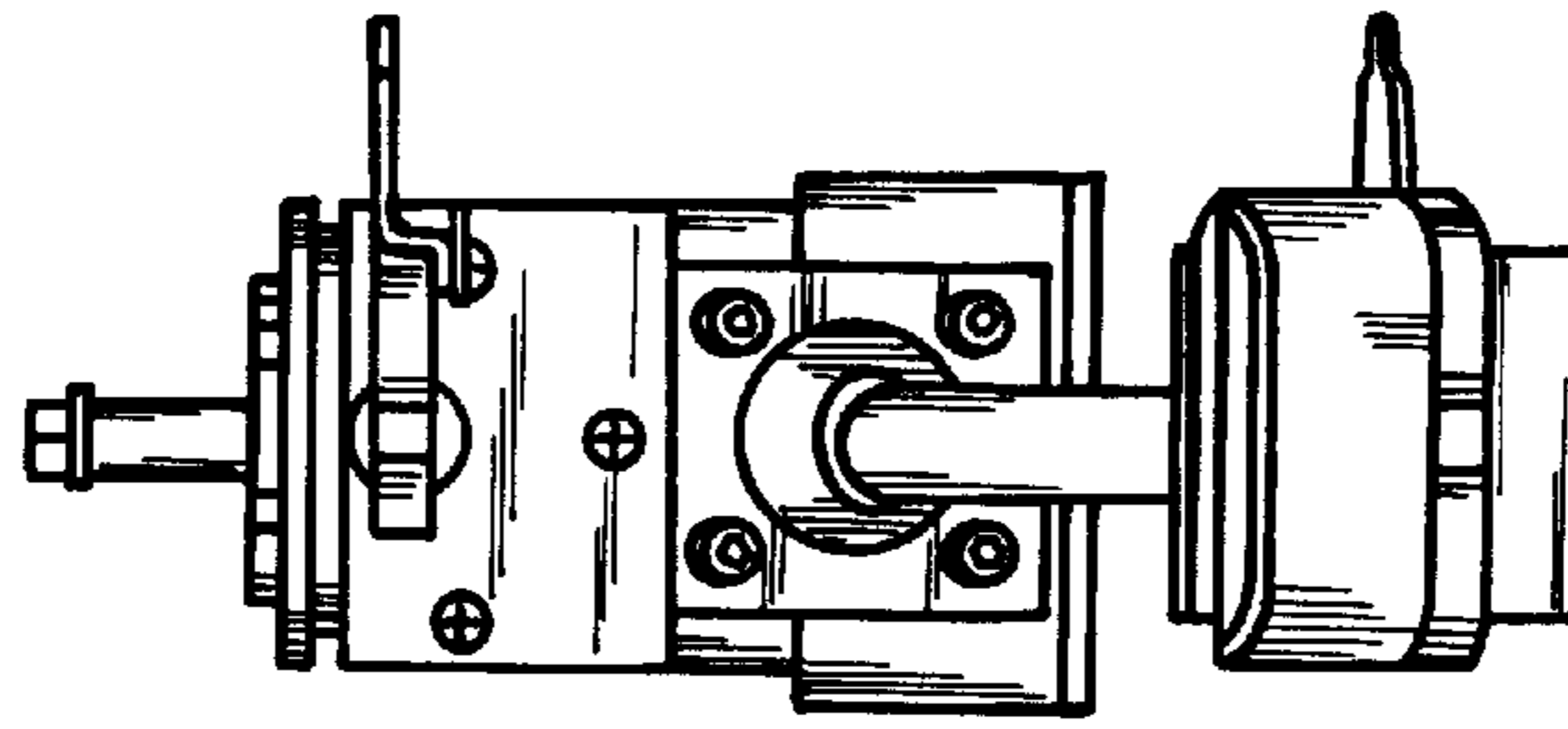


FIG. 6

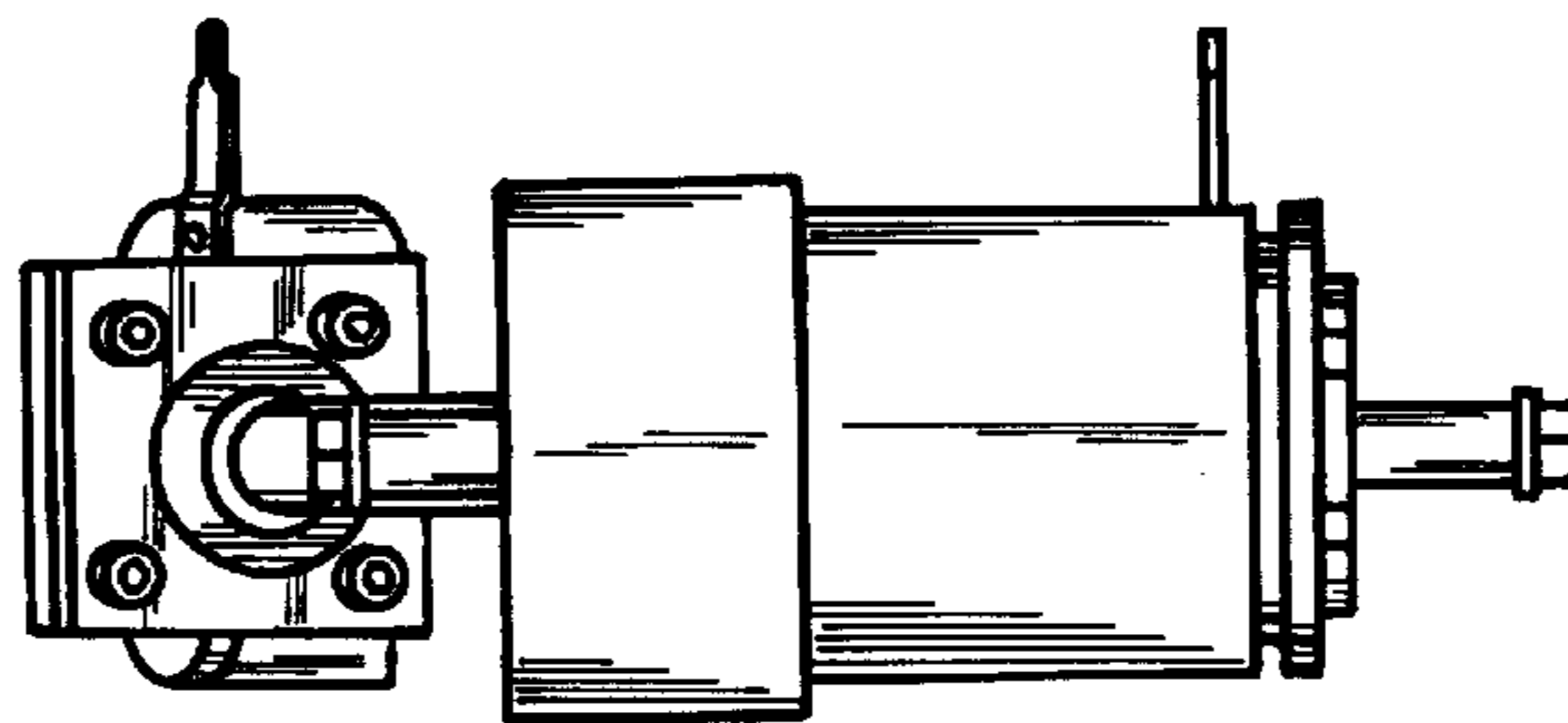


FIG. 7