



US00D401534S

**United States Patent** [19]  
**Higashihara et al.**

[11] **Patent Number: Des. 401,534**  
[45] **Date of Patent: \*\*Nov. 24, 1998**

[54] **MOTOR-ASSISTED BICYCLE**

D. 302,801 8/1989 Lacroix ..... D12/110

[75] Inventors: **Seiji Higashihara; Katsuyuki Nagano,**  
both of Saitama, Japan

**FOREIGN PATENT DOCUMENTS**

653659 7/1983 Japan .  
911799 11/1994 Japan .

[73] Assignee: **Honda Giken Kogyo Kabushiki**  
**Kaisha, Tokyo, Japan**

[\*\*] Term: **14 Years**

*Primary Examiner*—Melody N. Brown  
*Attorney, Agent, or Firm*—Birch, Stewart, Kolasch & Birch,  
LLP

[21] Appl. No.: **63,549**

[57] **CLAIM**

[22] Filed: **Dec. 10, 1996**

The ornamental design for a motor-assisted bicycle, as shown and described.

[30] **Foreign Application Priority Data**

**DESCRIPTION**

Jun. 10, 1996 [JP] Japan ..... 8-17189

FIG. 1 is a front right perspective view of a motor-assisted bicycle showing our new design;  
FIG. 2 is a front left perspective view thereof;  
FIG. 3 is a right rear perspective view thereof;  
FIG. 4 is a left rear perspective view thereof;  
FIG. 5 is a right elevational view thereof;  
FIG. 6 is a left elevational view thereof;  
FIG. 7 is a front elevational view thereof;  
FIG. 8 is a rear elevational view thereof;  
FIG. 9 is a top plan view thereof; and,  
FIG. 10 is a bottom plan view thereof.

[51] **LOC (6) Cl.** ..... **12-11**

[52] **U.S. Cl.** ..... **D12/110; D12/111**

[58] **Field of Search** ..... **D12/110, 111;**  
**280/281.1, 288.1-288.3; 180/219**

[56] **References Cited**

**U.S. PATENT DOCUMENTS**

D. 241,527 9/1976 Kojo ..... D12/110  
D. 269,772 7/1983 Hahn ..... D12/110  
D. 274,611 7/1984 Nakano et al. .... D12/110  
D. 281,615 12/1985 Barbato et al. .... D12/110  
D. 294,338 2/1988 Yamada et al. .... D12/110

**1 Claim, 5 Drawing Sheets**





FIG. 1



FIG. 2





FIG. 3



FIG. 4





FIG. 5

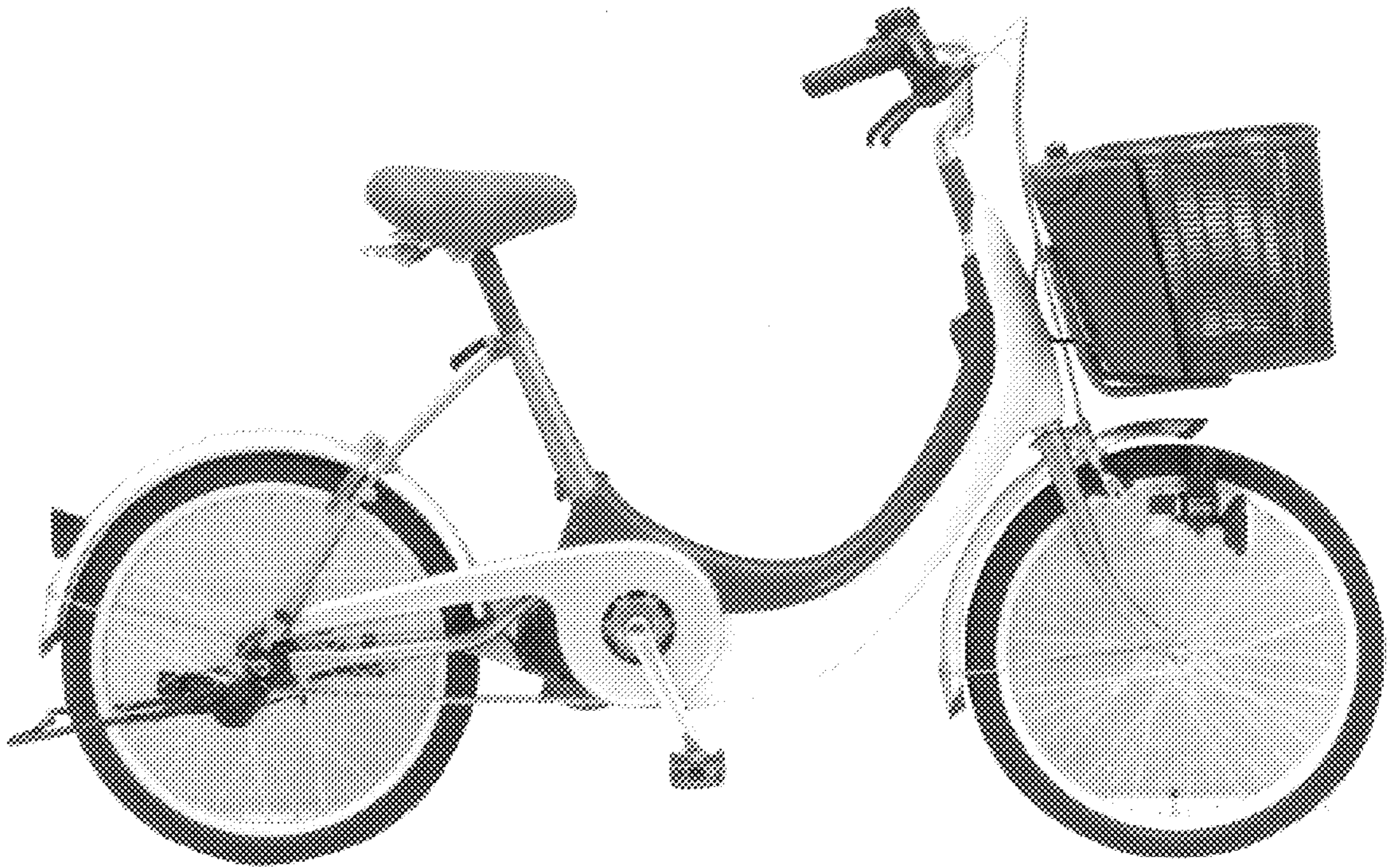


FIG. 6





FIG. 7

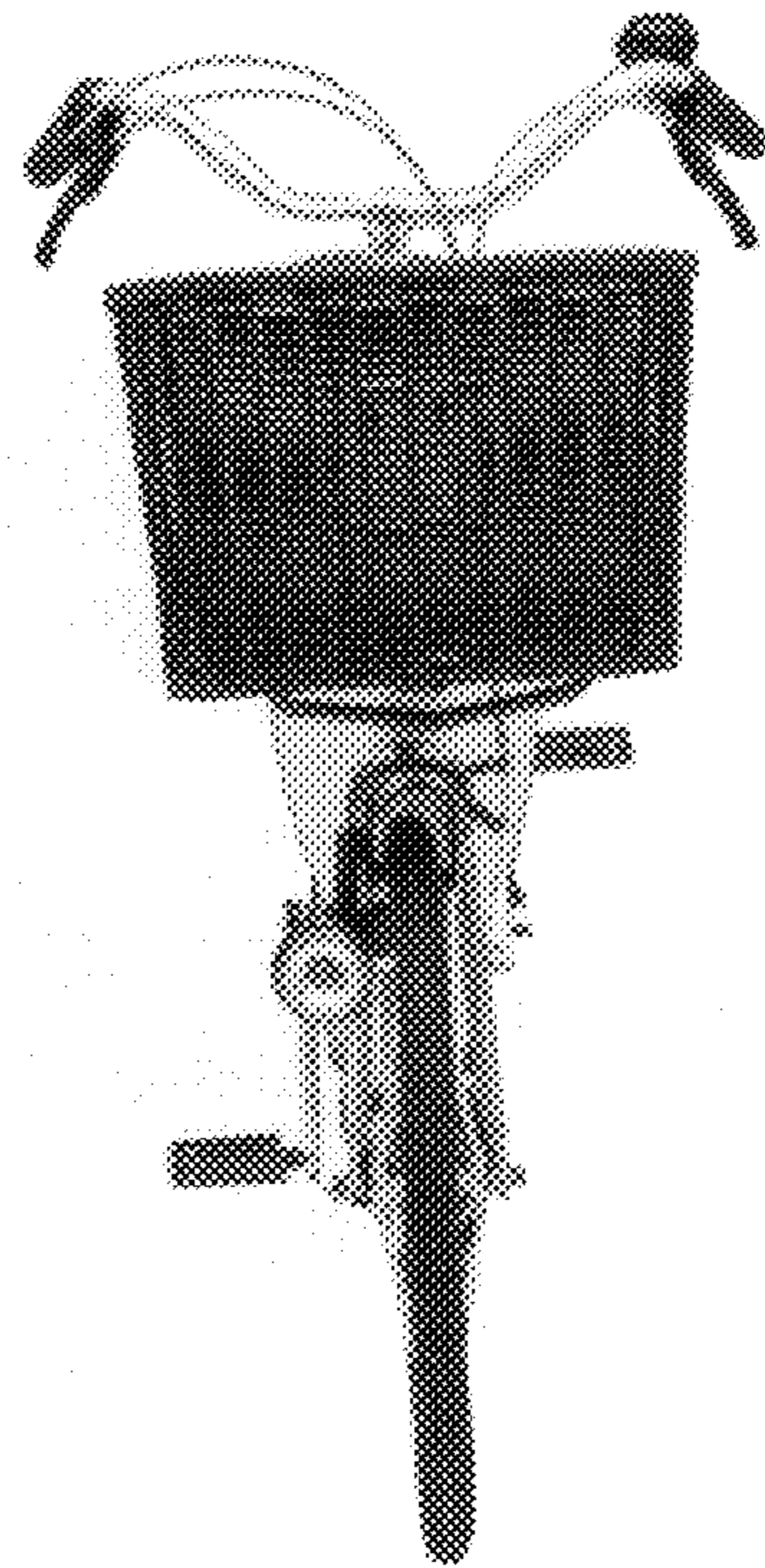


FIG. 8

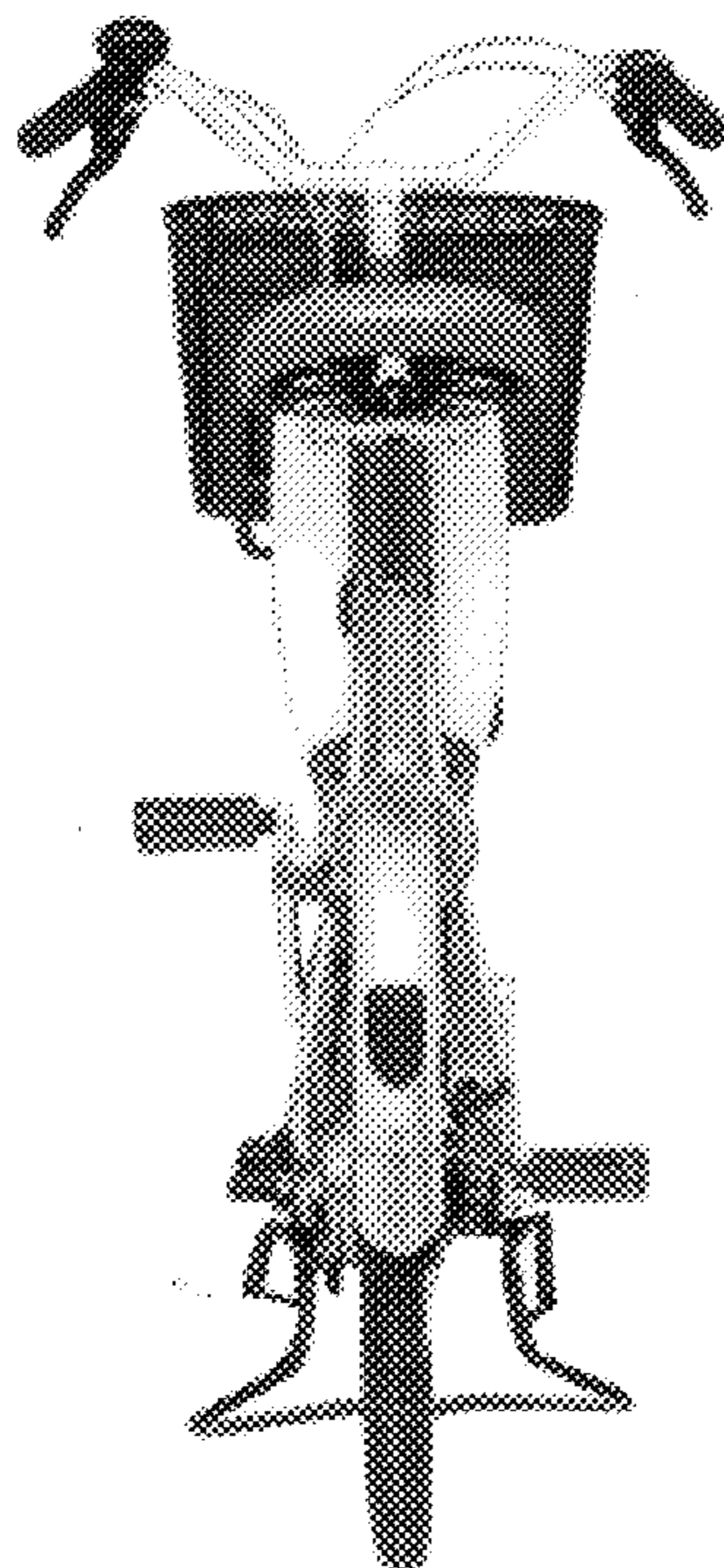


FIG. 9

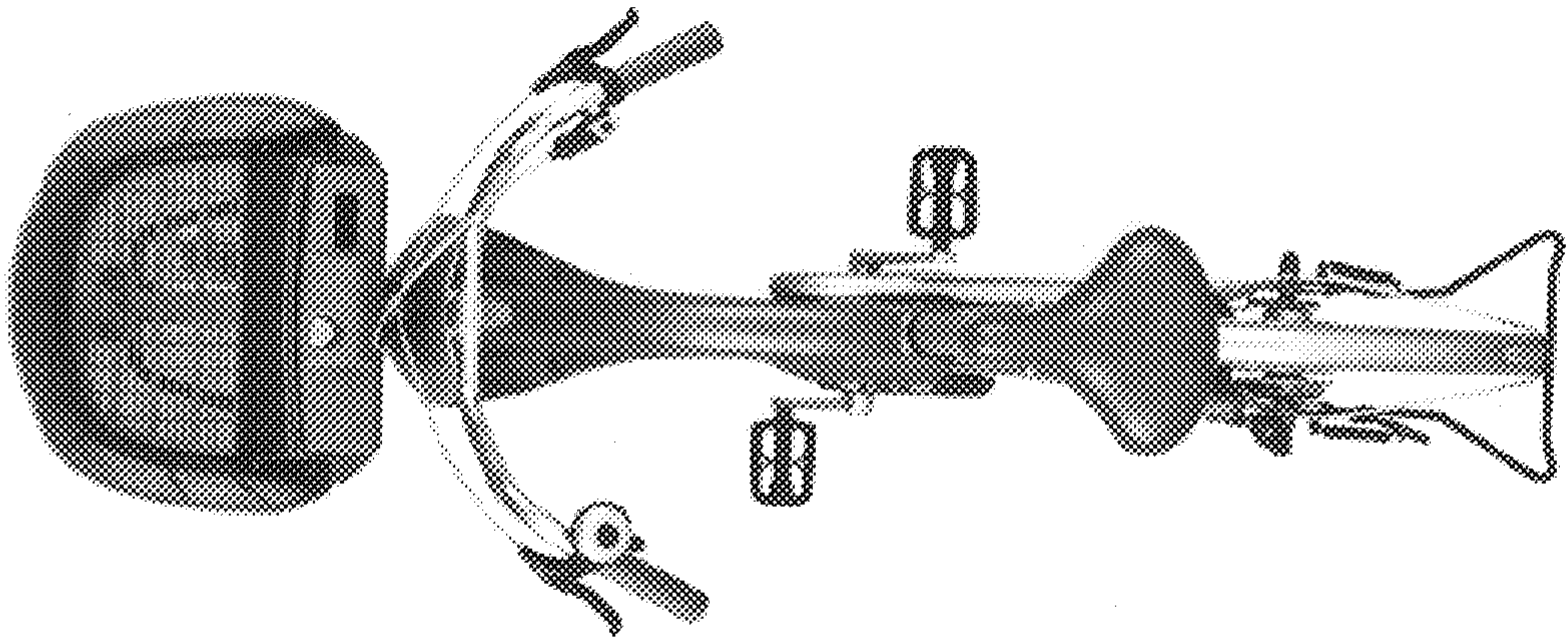


FIG. 10

