



US00D401531S

# United States Patent [19]

Weder et al.

[11] Patent Number: Des. 401,531

[45] Date of Patent: \*\*Nov. 24, 1998

[54] FLOWER POT COVER

[75] Inventors: Donald E. Weder, Highland, Ill.; Jon S. Shryock, Bethany, Okla.

[73] Assignee: Southpac Trust International, Inc.

[\*\*] Term: 14 Years

[21] Appl. No.: 64,876

[22] Filed: Jan. 21, 1997

### Related U.S. Application Data

[62] Division of Ser. No. 46,123, Nov. 7, 1995, Pat. No. Des. 381,291, which is a division of Ser. No. 9,447, Jun. 11, 1993, Pat. No. Des. 364,587, which is a continuation-in-part of Ser. No. 781,453, Oct. 21, 1991, Pat. No. Des. 348,634, which is a continuation-in-part of Ser. No. 617,454, Nov. 21, 1990, abandoned, Ser. No. 411,249, Sep. 22, 1989, Pat. No. Des. 358,113, Ser. No. 411,247, Sep. 22, 1989, abandoned, and Ser. No. 411,245, Sep. 22, 1989, abandoned.

[51] LOC (6) Cl. 11-02

[52] U.S. Cl. D11/164

[58] Field of Search D11/143, 149, D11/152-156, 164, 89, 90; 47/66, 72; 206/423; 215/100.5; 229/1.5 R, 1.5 B, 4.5, 108, 108.1, 109, 110, 87.01, 922, 930, 186, 189; 428/27, 35.1, 24, 542.6; 338/122; D9/346, 428-431; D27/102, 133; D26/128-136; D19/96; D7/540, 584, 586, 587, 354

### [56] References Cited

#### U.S. PATENT DOCUMENTS

D. 239,192	3/1976	Wiles et al.	D35/3 A
D. 254,659	4/1980	Karotseris	D11/143
D. 292,182	10/1987	Weder et al.	D11/164
D. 292,562	11/1987	Weder et al.	D11/164
D. 293,224	12/1987	Weder et al.	D11/164
D. 293,775	1/1988	Weder et al.	D11/164
D. 317,583	6/1991	Weder et al.	D11/164
D. 322,403	12/1991	Eaton	D9/429
D. 336,041	6/1993	Zama	D9/429
D. 348,634	7/1994	Weder et al.	D11/164
D. 359,932	7/1995	Weder et al.	D11/164
D. 360,604	7/1995	Weder et al.	D11/164
D. 360,851	8/1995	Weder et al.	D11/164

D. 360,852	8/1995	Weder et al.	D11/164
D. 361,301	8/1995	Shyrock	D11/64
D. 361,302	8/1995	Shyrock	D11/164
D. 362,409	9/1995	Weder et al.	D11/164
D. 364,583	11/1995	Weder et al.	D11/164
D. 364,585	11/1995	Weder et al.	D11/164
D. 364,587	11/1995	Weder et al.	D11/164
D. 369,319	4/1996	Weder et al.	D11/164
D. 374,204	10/1996	Weder	D9/305 X
D. 381,291	7/1997	Weder et al.	D11/164
1,794,212	2/1931	Snyder	47/72
1,951,642	3/1934	Augustin et al.	47/34
2,355,559	8/1944	Renner	229/8
3,253,768	5/1966	Gjesdal	220/37
3,443,741	5/1969	Stockdale	229/51
3,904,104	9/1975	Kane	206/45.34
4,043,077	8/1977	Stonehocker	47/66
4,712,725	12/1987	Moore	229/8
5,076,011	12/1991	Stehouwer	47/72

### FOREIGN PATENT DOCUMENTS

785369	8/1935	France	229/186
2489126	3/1982	France	.
2603159	3/1988	France	.
153402	7/1903	Germany	47/72
1115	4/1887	Sweden	47/72
17903	5/1899	Switzerland	47/72
54263	7/1912	Switzerland	47/72

### OTHER PUBLICATIONS

The Glassware of Frederick Carder, p. 327, item 1267, copy in Examiner's Office, (c) 1971.  
"The Simple Solution For Those Peak Volume Periods", a brochure (4 pages), published by Highland Supply Corporation, 1111 Sixth St., Highland, Illinois 62249, ©1989.

Primary Examiner—Jeffrey Asch  
Attorney, Agent, or Firm—Dunlap & Coddling, P.C.

### [57] CLAIM

The ornamental design for a flower pot cover, as shown and described.

### DESCRIPTION

FIG. 1 is a perspective view of our new flower pot cover design;  
FIG. 2 is a side elevational view thereof;  
FIG. 3 is a top plan view thereof;

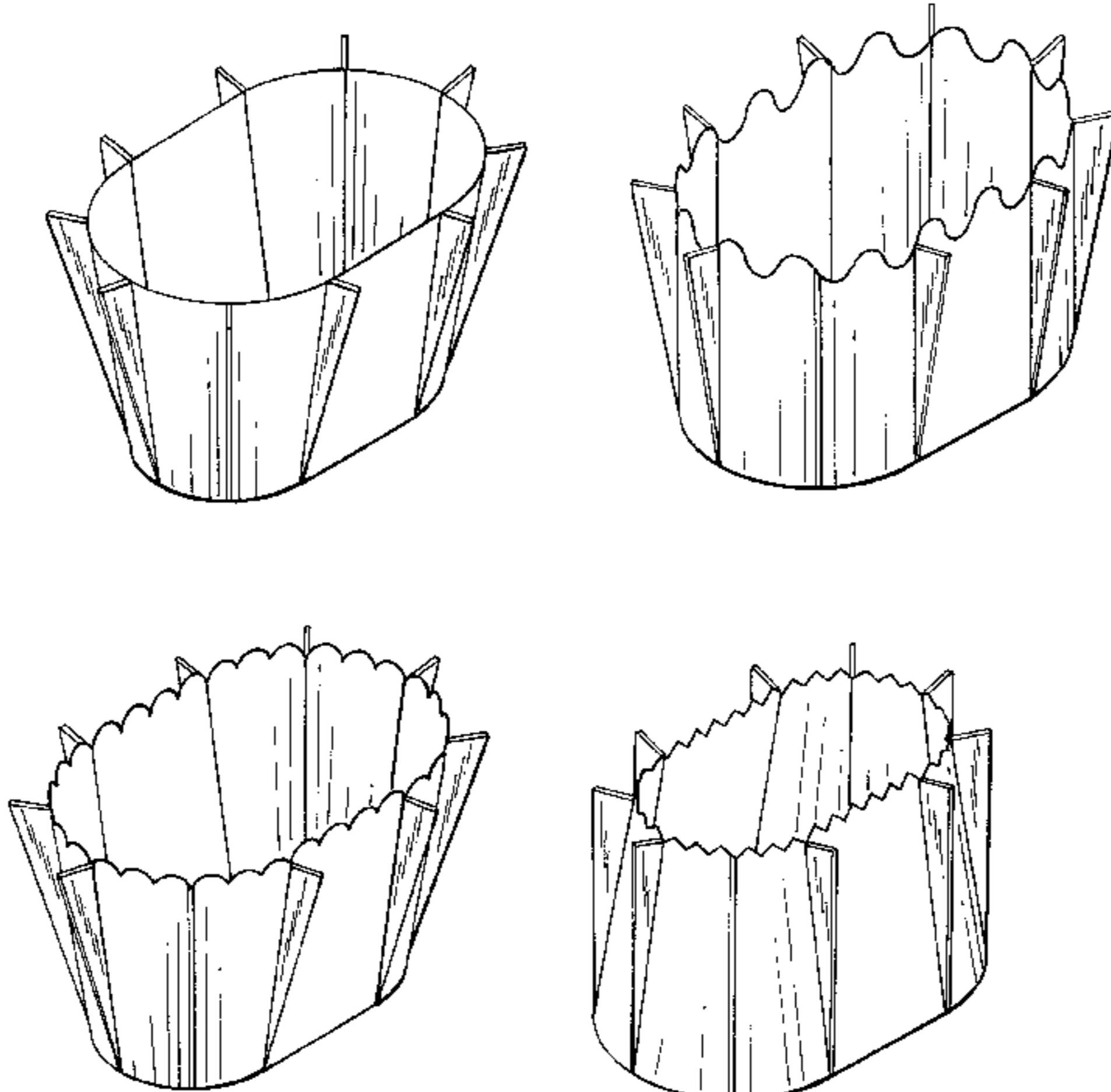


FIG. 4 is a bottom plan view thereof;  
FIG. 5 is a perspective view of a second embodiment of our new flower pot cover design;  
FIG. 6 is a side elevational view thereof;  
FIG. 7 is a top plan view thereof;  
FIG. 8 is a bottom plan view thereof;  
FIG. 9 is a perspective view of a third embodiment of our new flower pot cover design;  
FIG. 10 is a side elevational view thereof;  
FIG. 11 is a top plan view thereof;  
FIG. 12 is a bottom plan view thereof;  
FIG. 13 is a perspective view of a fourth embodiment of our new flower pot cover design;  
FIG. 14 is a side elevational view thereof;  
FIG. 15 is a top plan view thereof;  
FIG. 16 is a bottom plan view thereof;  
FIG. 17 is a perspective view of a fifth embodiment of our new flower pot cover design;  
FIG. 18 is a side elevational view thereof;  
FIG. 19 is a top plan view thereof;  
FIG. 20 is a bottom plan view thereof;  
FIG. 21 is a perspective view of a sixth embodiment of our new flower pot cover design;  
FIG. 22 is a side elevational view thereof;  
FIG. 23 is a top plan view thereof;  
FIG. 24 is a bottom plan view thereof;  
FIG. 25 is a perspective view of a seventh embodiment of our new flower pot cover design;  
FIG. 26 is a side elevational view thereof;

FIG. 27 is a top plan view thereof;  
FIG. 28 is a bottom plan view thereof;  
FIG. 29 is a perspective view of a eighth embodiment of our new flower pot cover design;  
FIG. 30 is a side elevational view thereof;  
FIG. 31 is a top plan view thereof;  
FIG. 32 is a bottom plan view thereof;  
FIG. 33 is a perspective view of a ninth embodiment of our new flower pot cover design;  
FIG. 34 is a side elevational view thereof;  
FIG. 35 is a top plan view thereof;  
FIG. 36 is a bottom plan view thereof;  
FIG. 37 is a perspective view of a tenth embodiment of our new flower pot cover design;  
FIG. 38 is a side elevational view thereof;  
FIG. 39 is a top plan view thereof;  
FIG. 40 is a bottom plan view thereof;  
FIG. 41 is a perspective view of an eleventh embodiment of our new flower pot cover design;  
FIG. 42 is a side elevational view thereof;  
FIG. 43 is a top plan view thereof;  
FIG. 44 is a bottom plan view thereof;  
FIG. 45 is a perspective view of a twelfth embodiment of our new flower pot cover design;  
FIG. 46 is a side elevational view thereof;  
FIG. 47 is a top plan view thereof; and,  
FIG. 48 is a bottom plan view thereof.

**1 Claim, 12 Drawing Sheets**

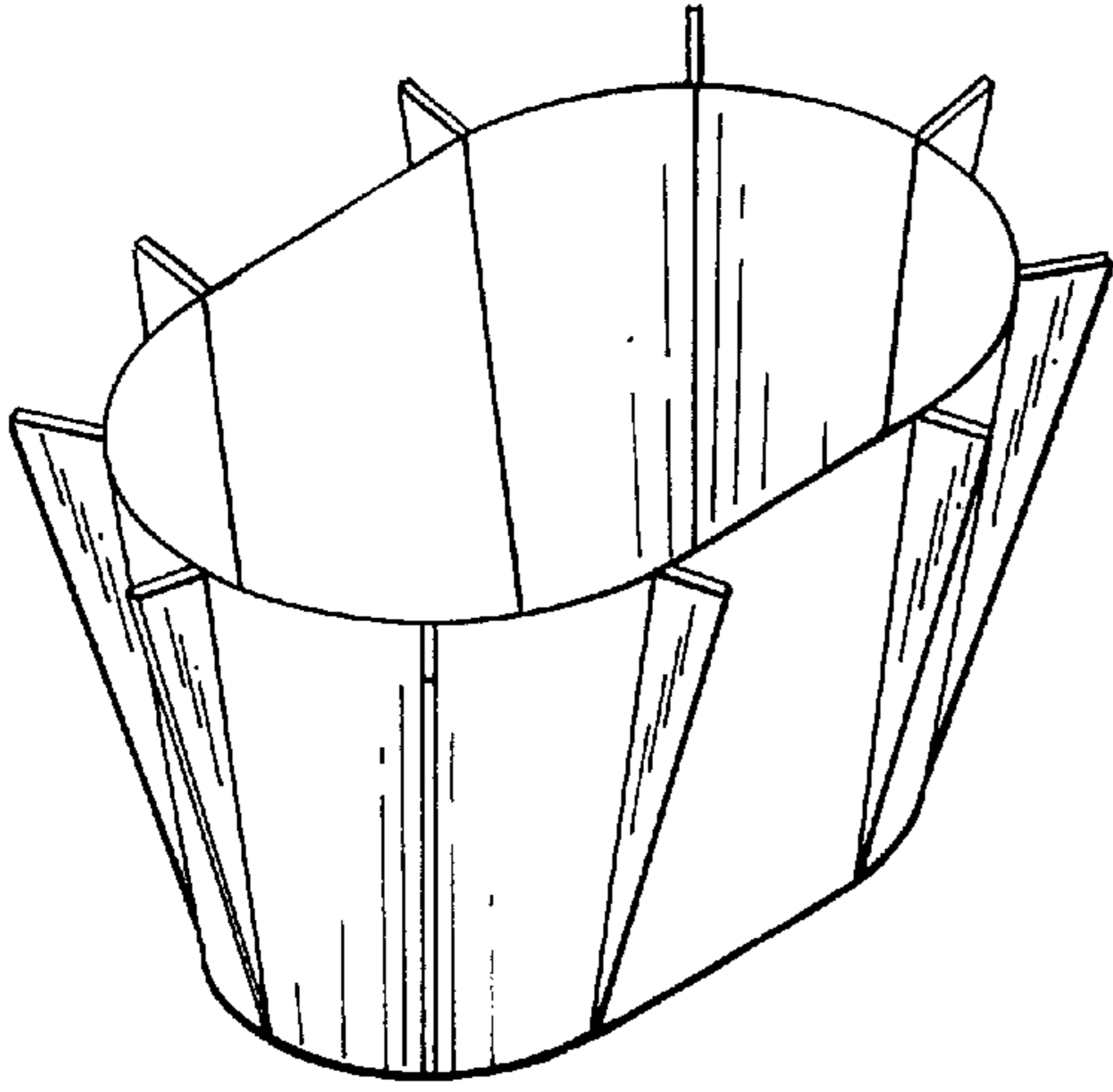


FIG. 1

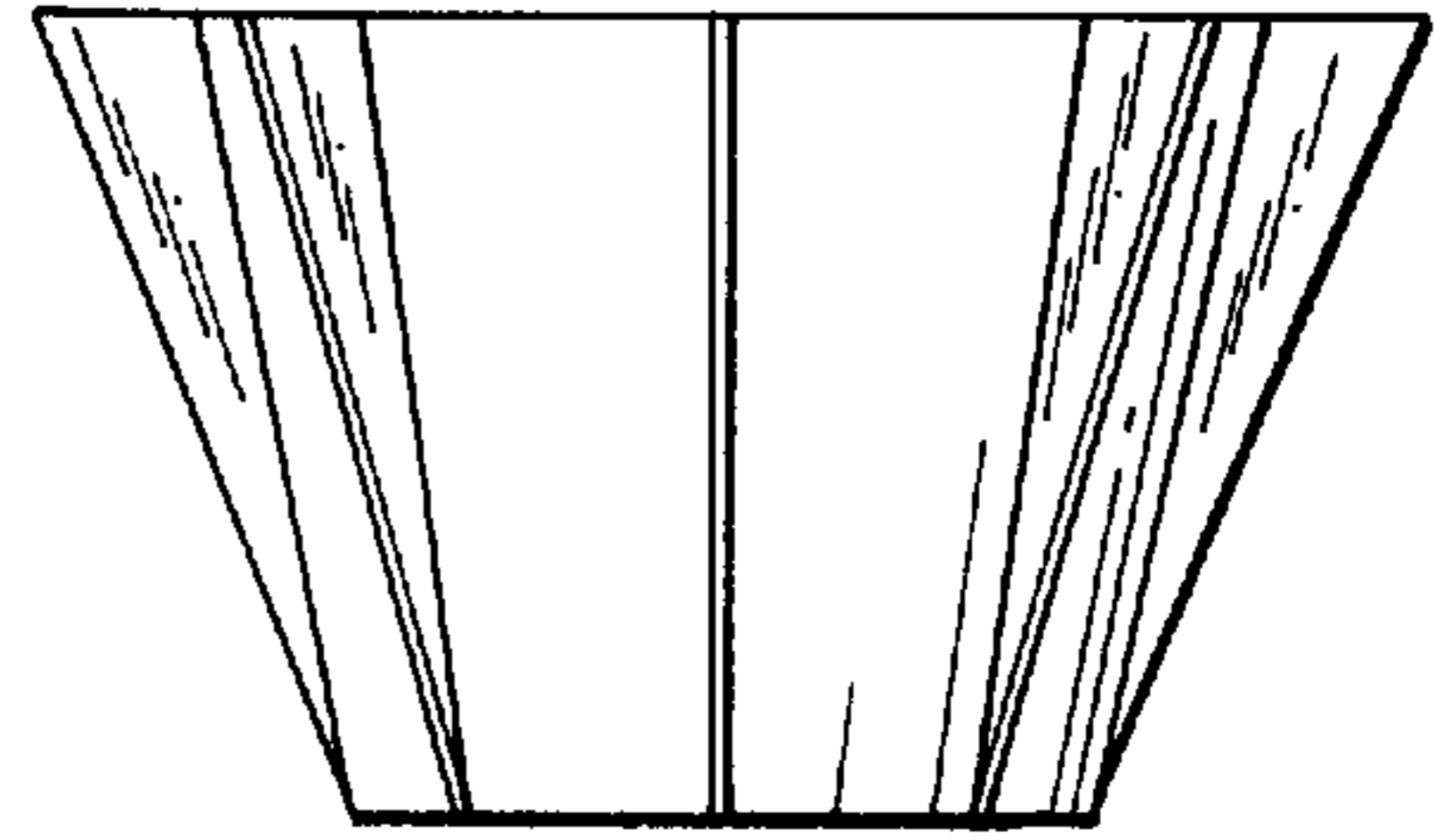


FIG. 2

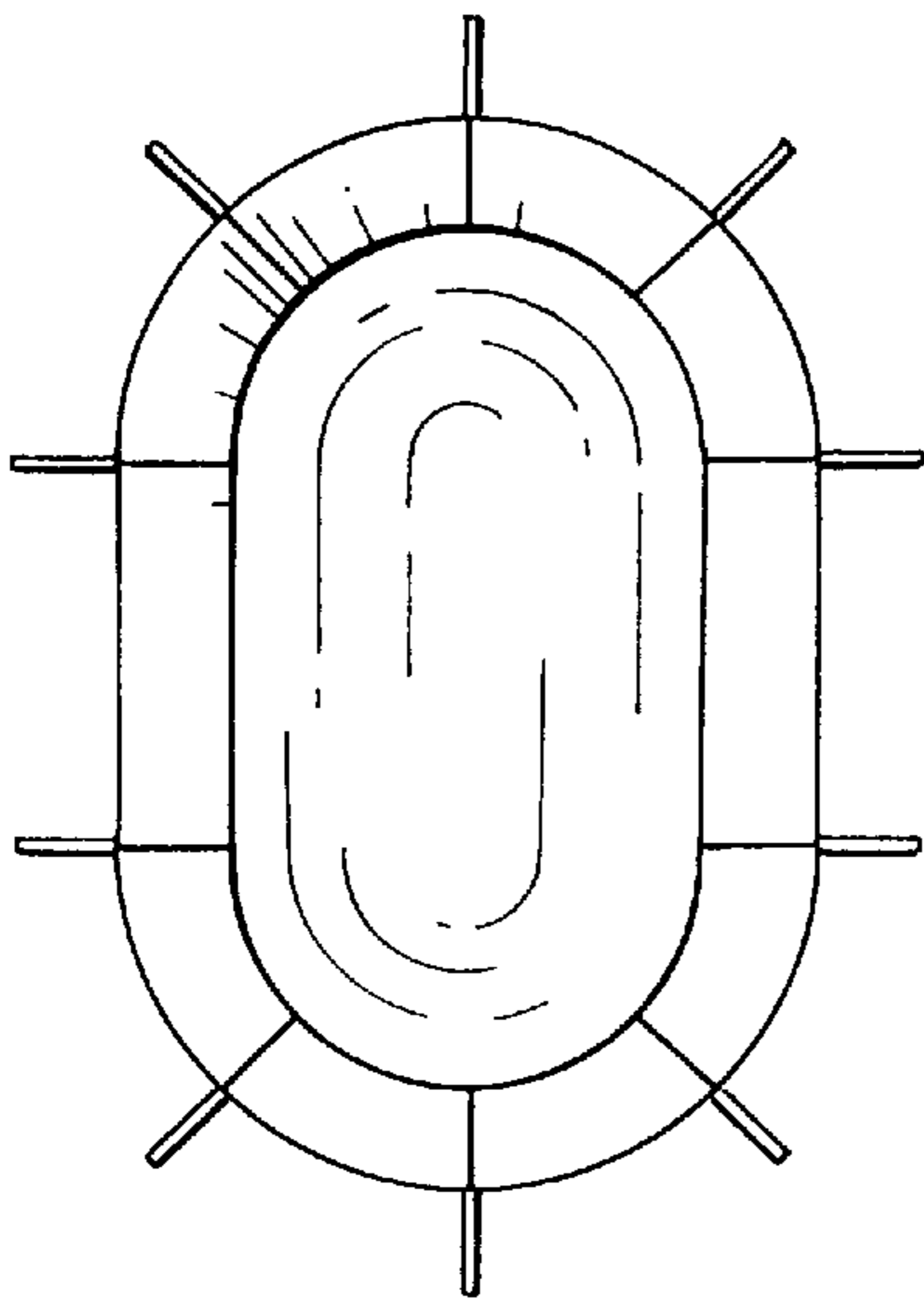


FIG. 3

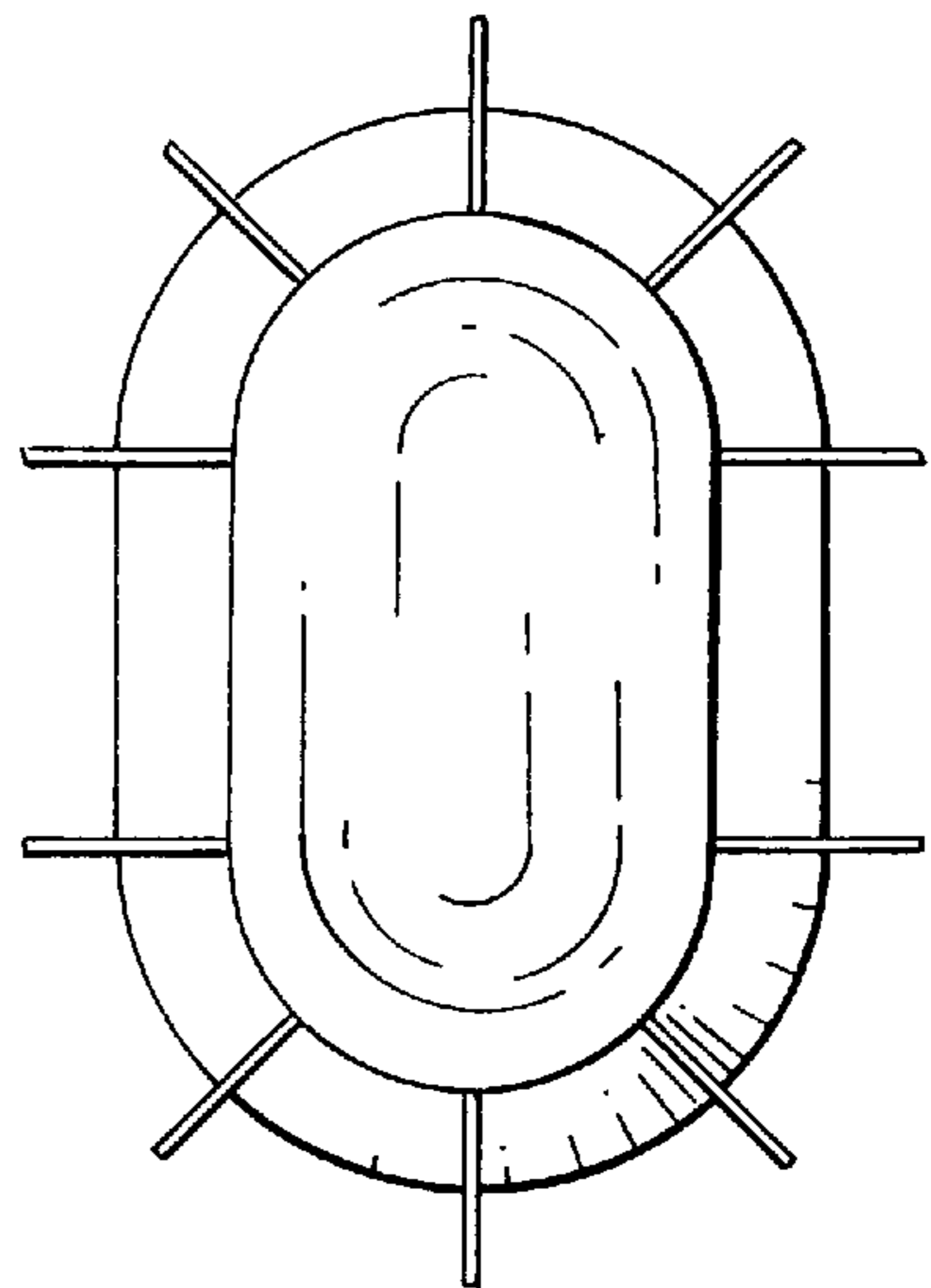


FIG. 4

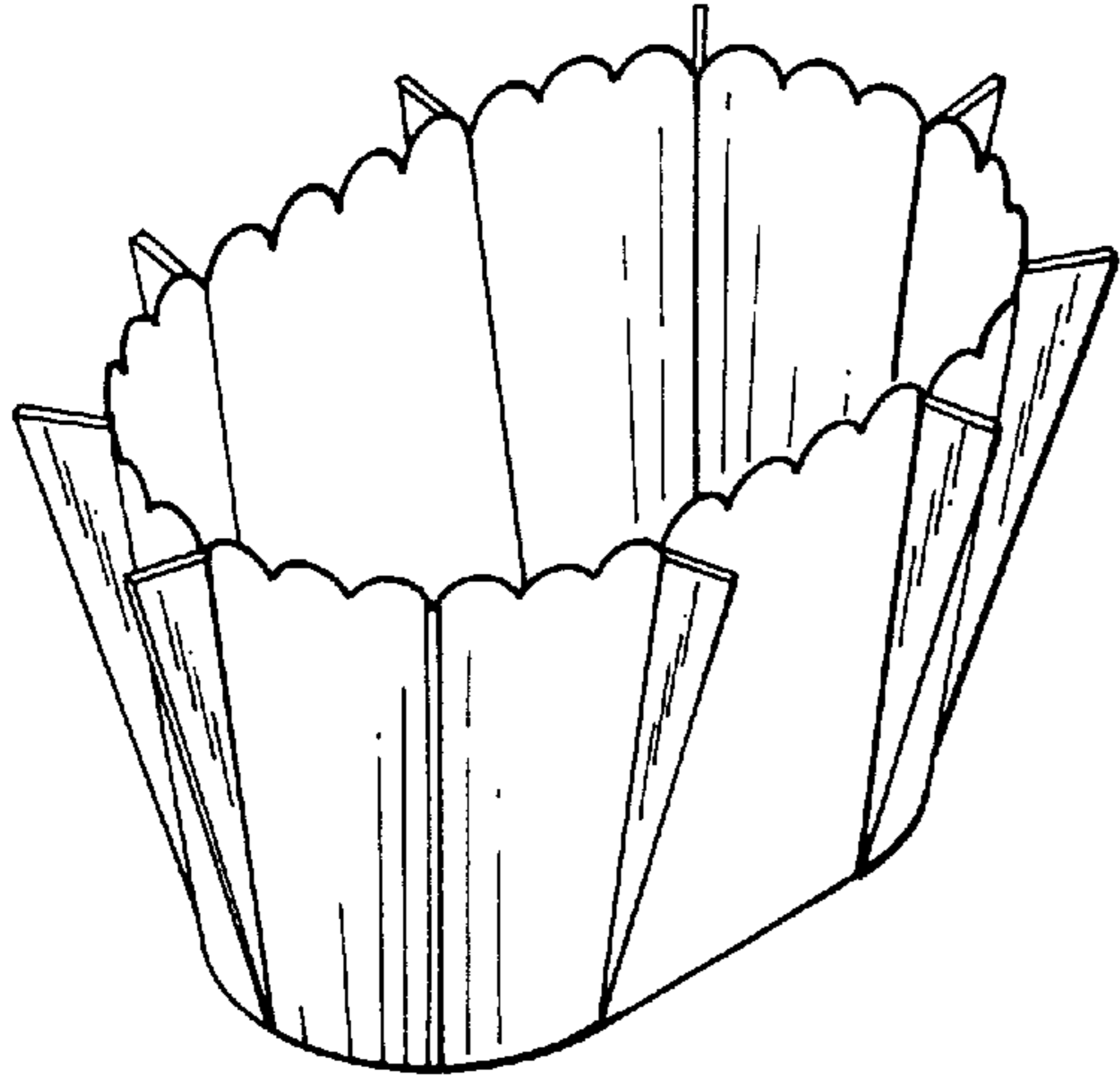


FIG. 5

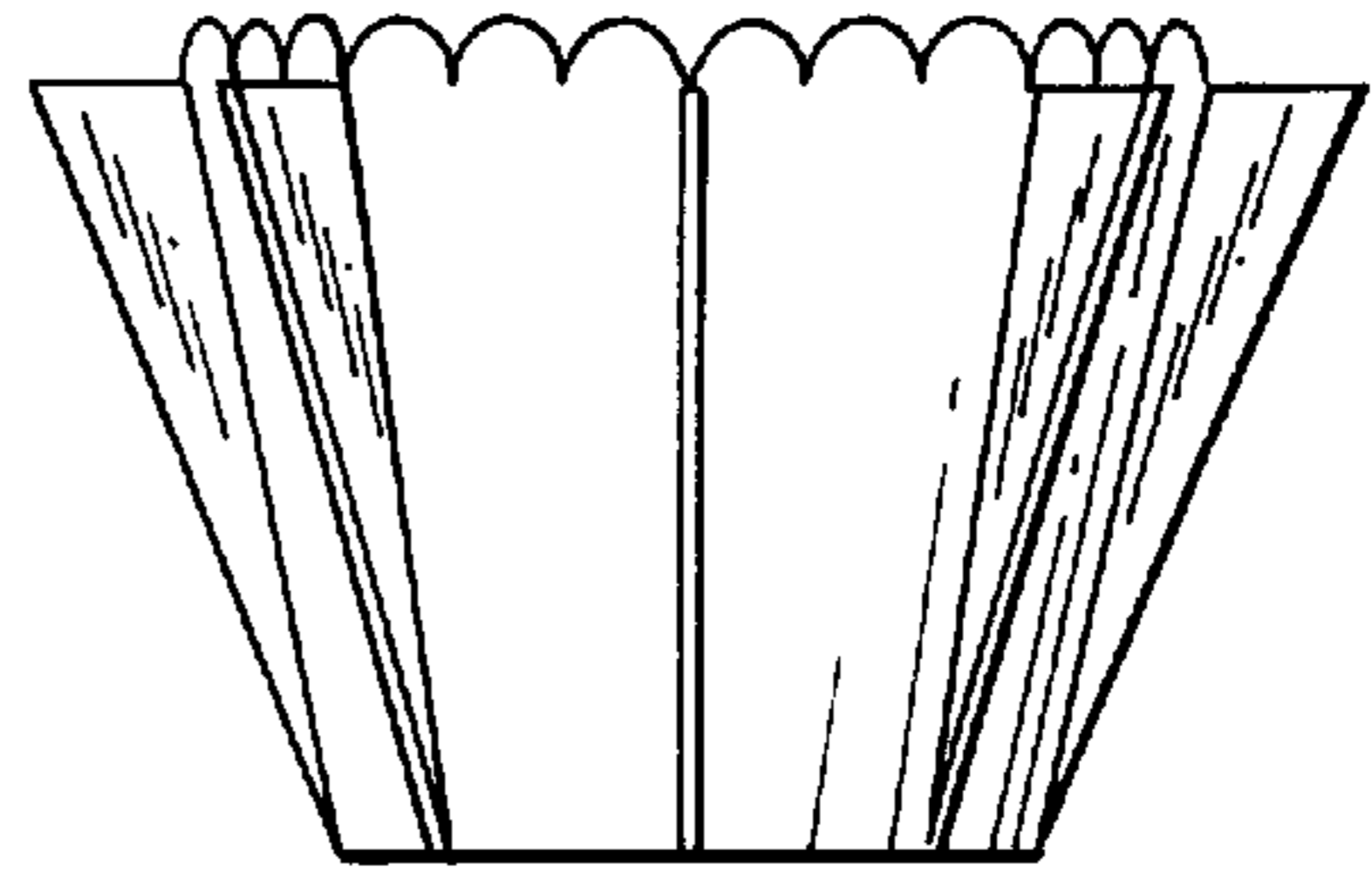


FIG. 6

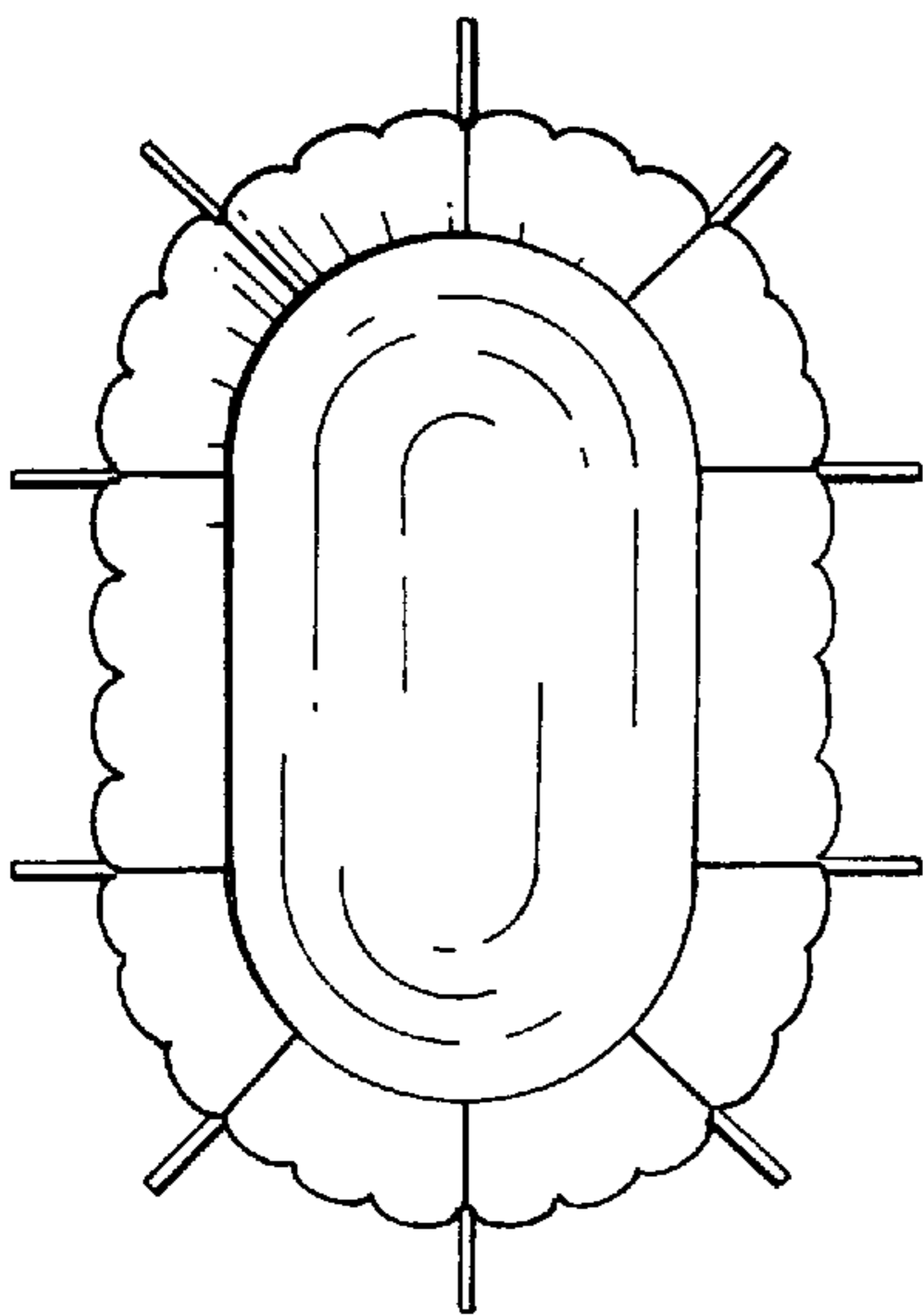


FIG. 7

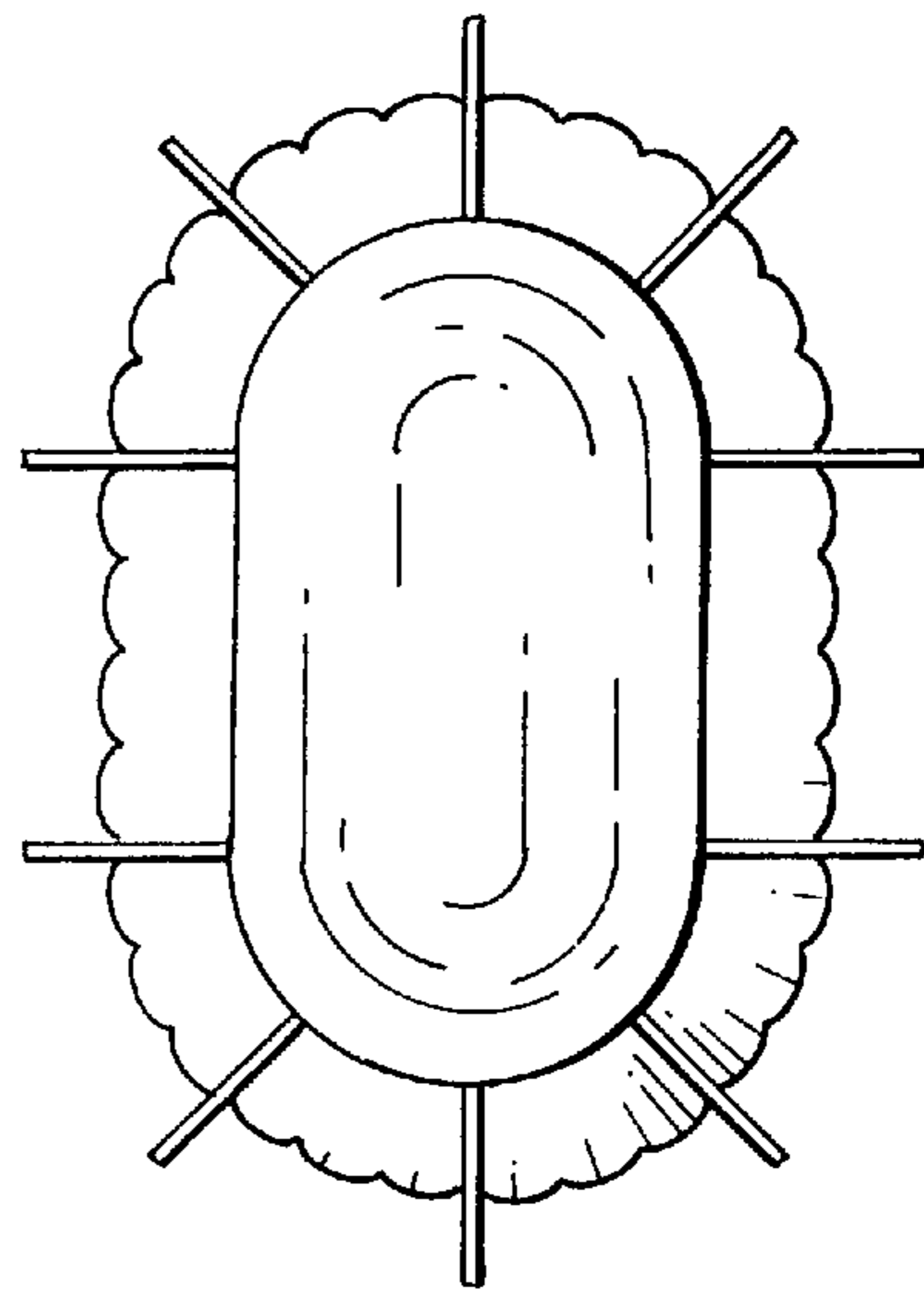


FIG. 8

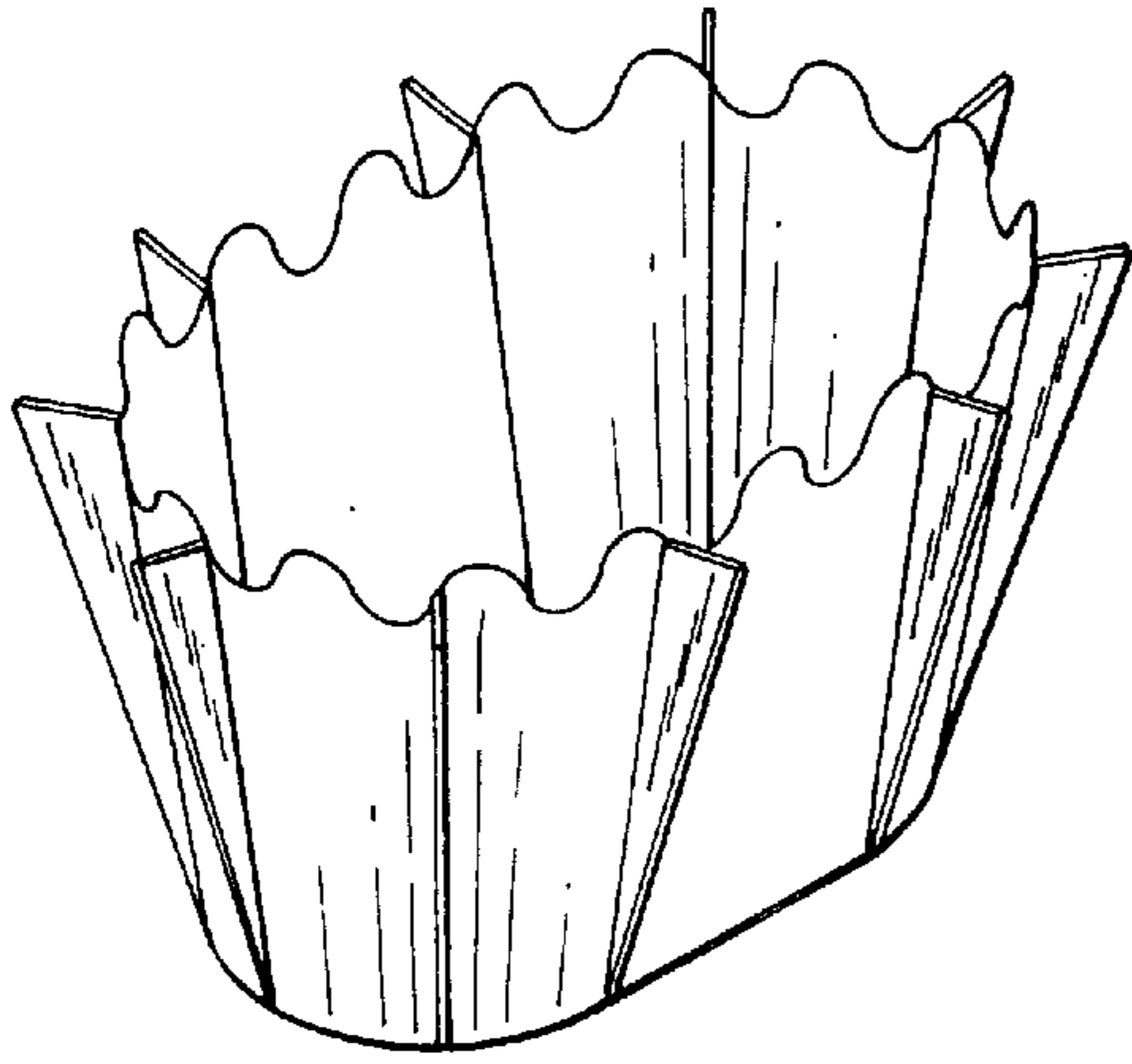


FIG. 9

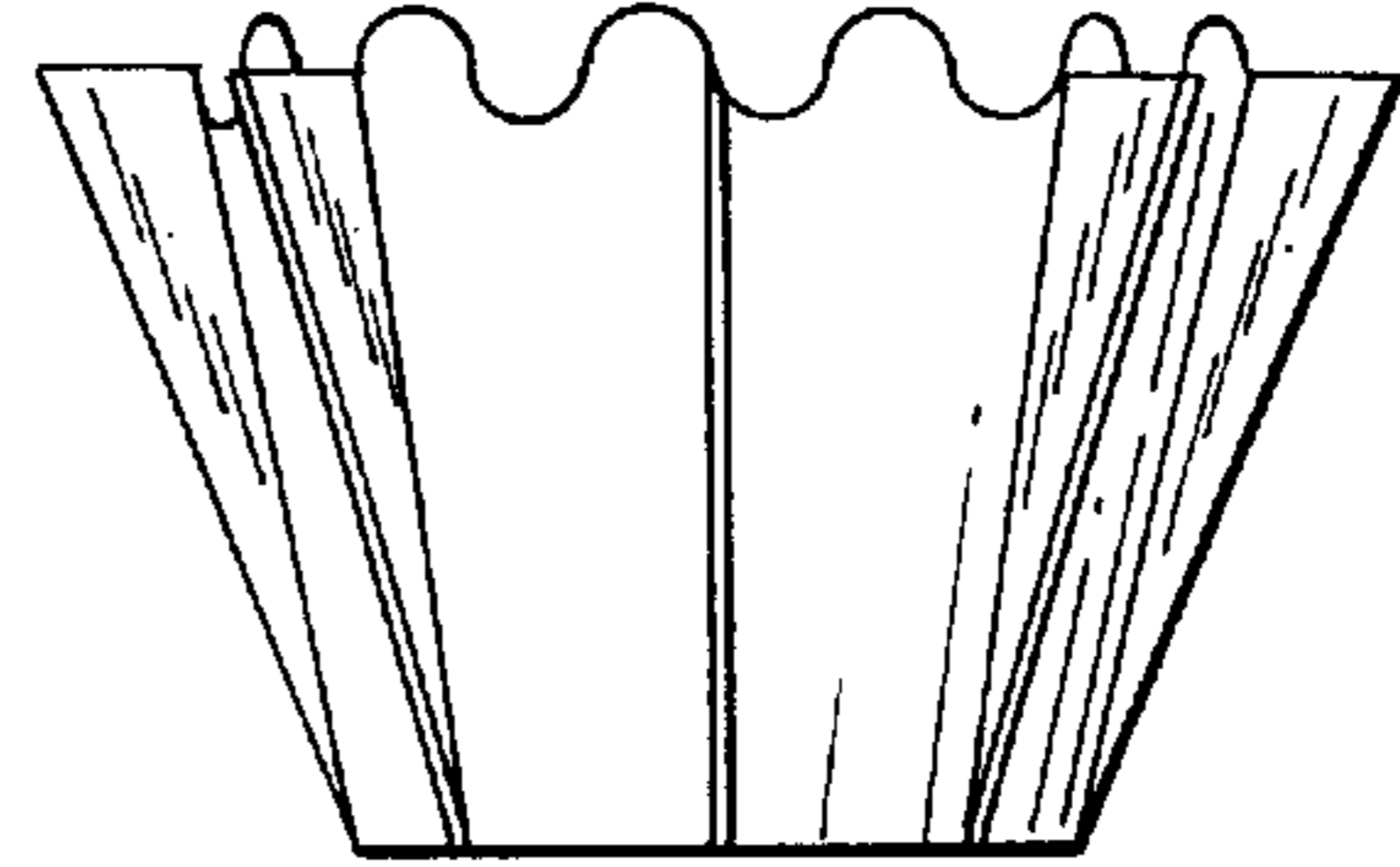


FIG. 10

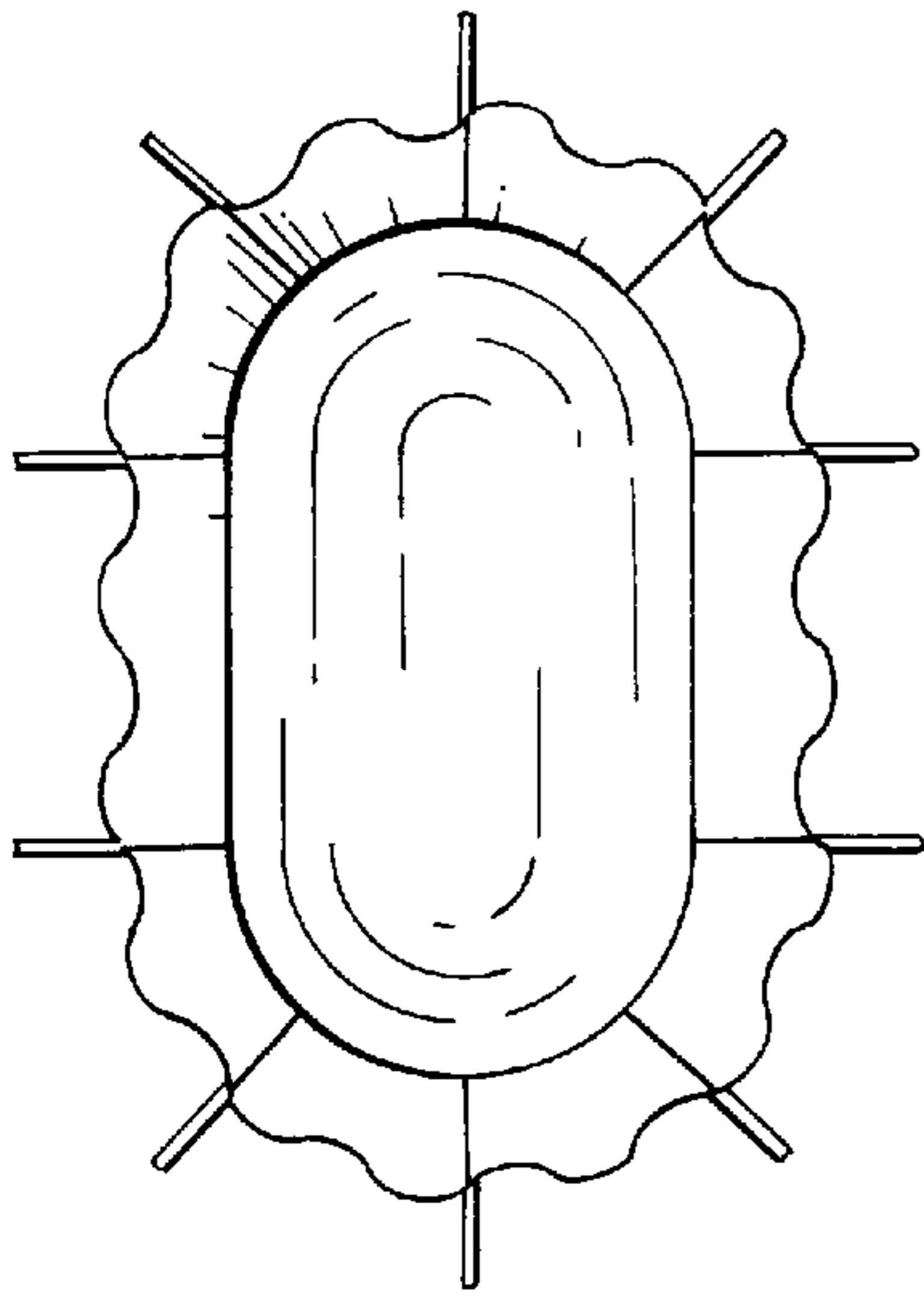


FIG. 11

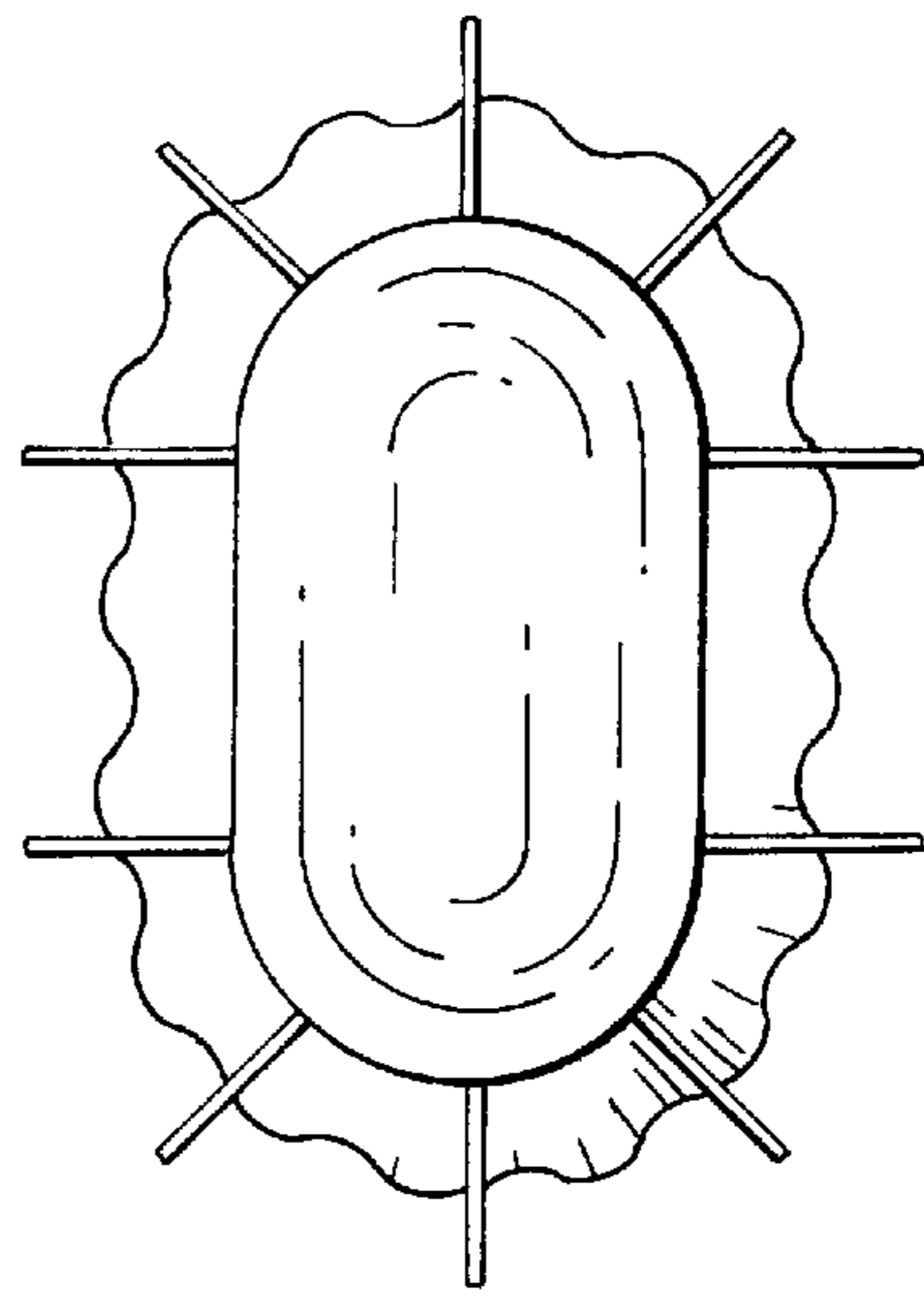


FIG. 12

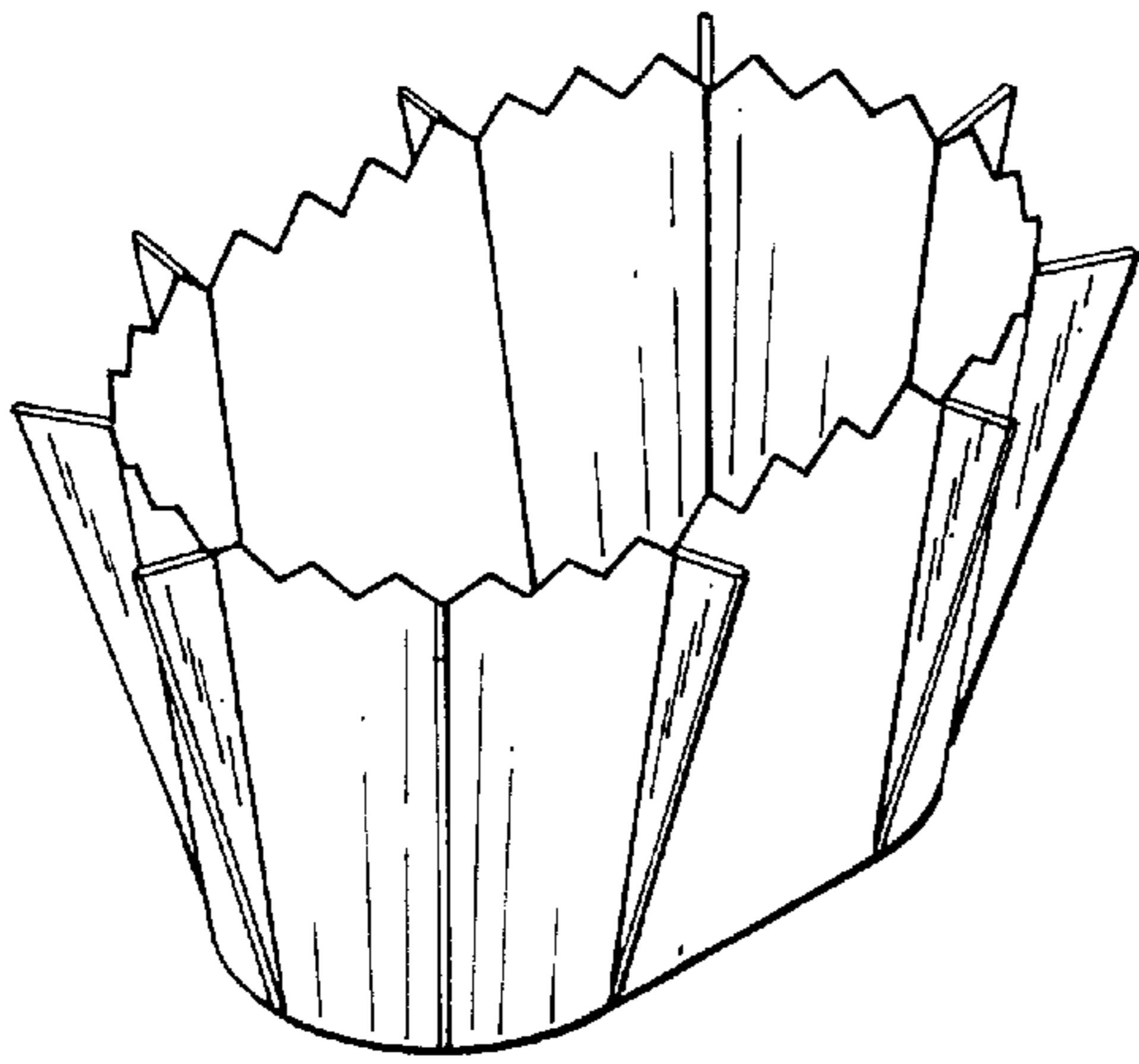


FIG. 13

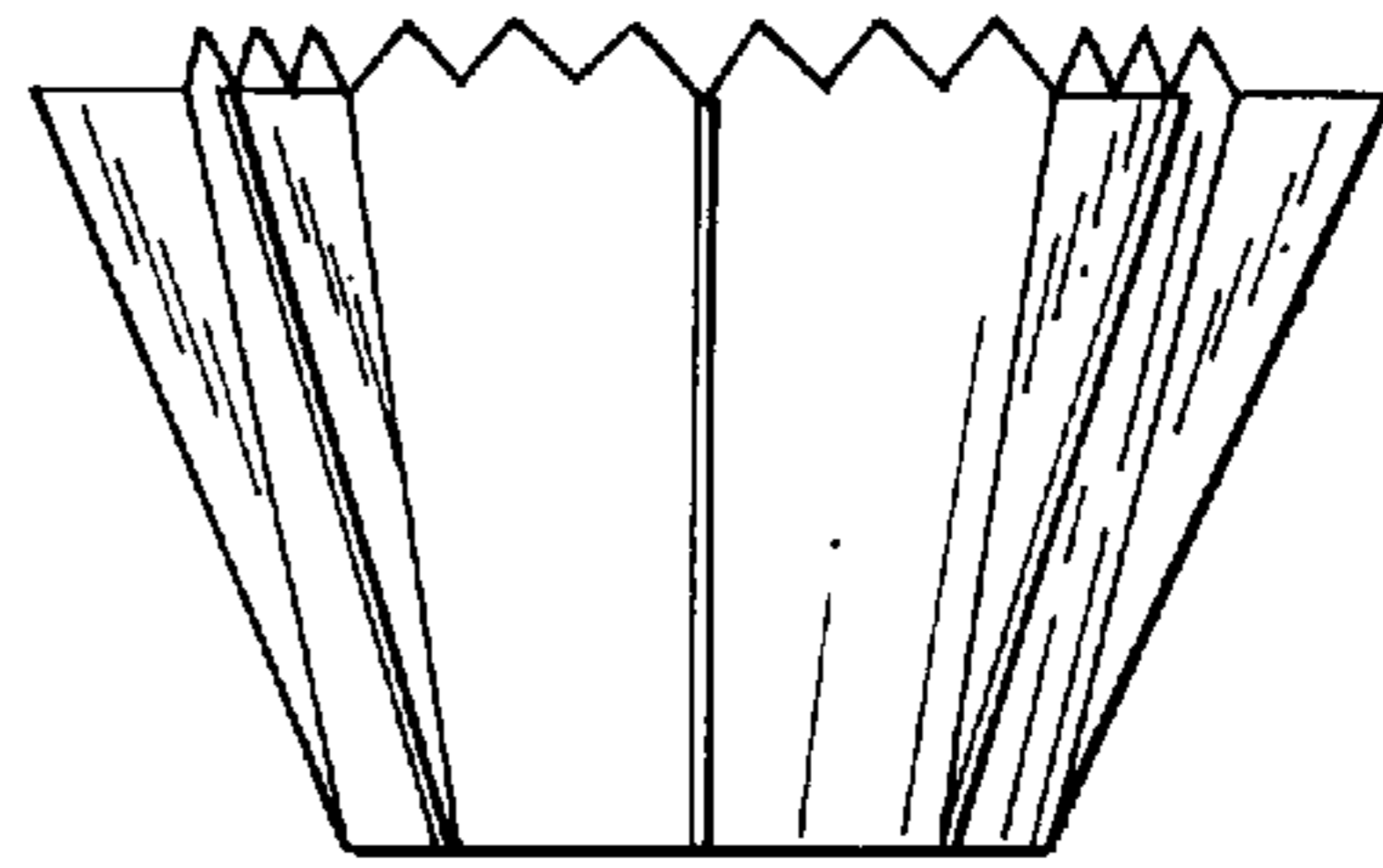


FIG. 14

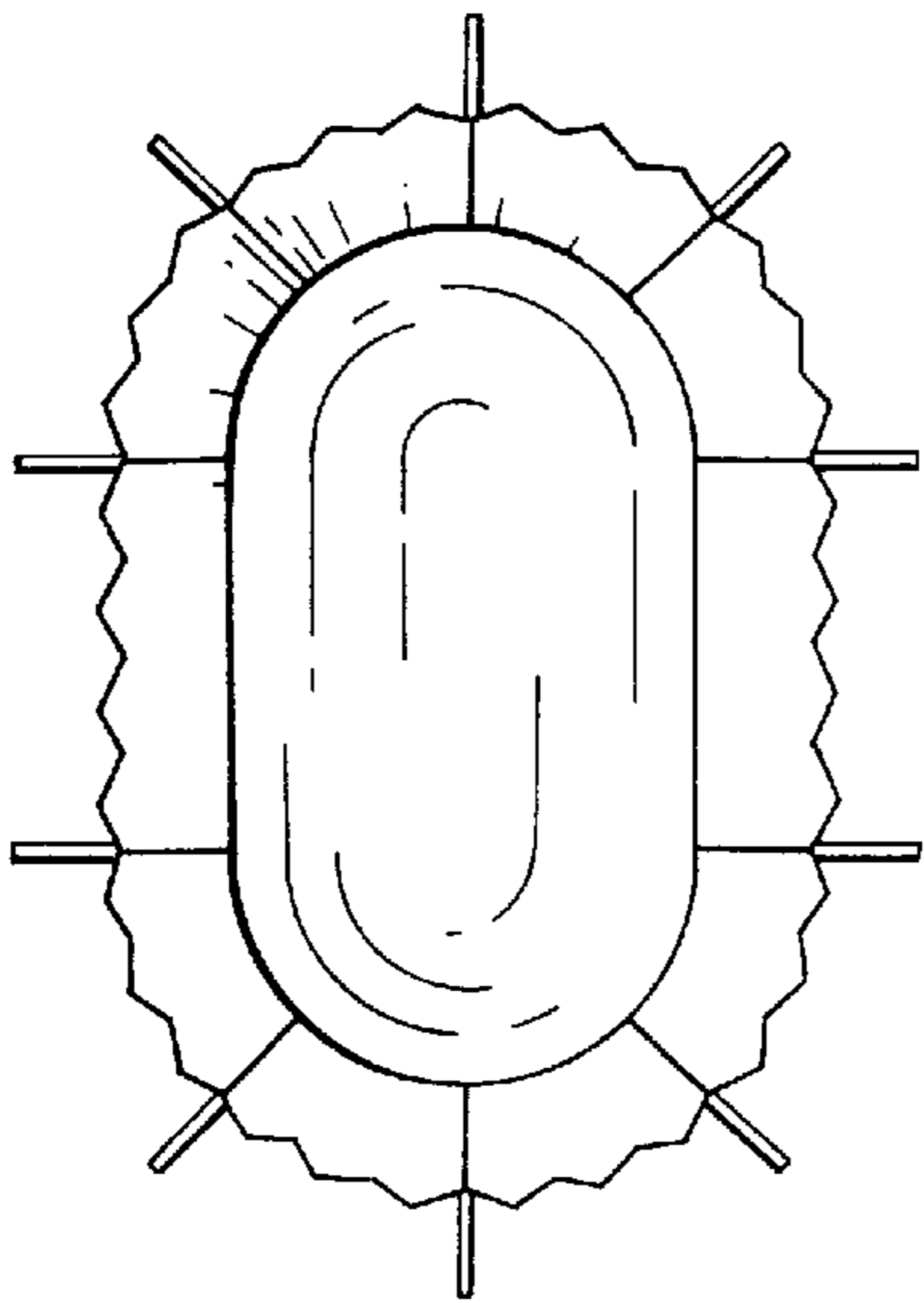


FIG. 15

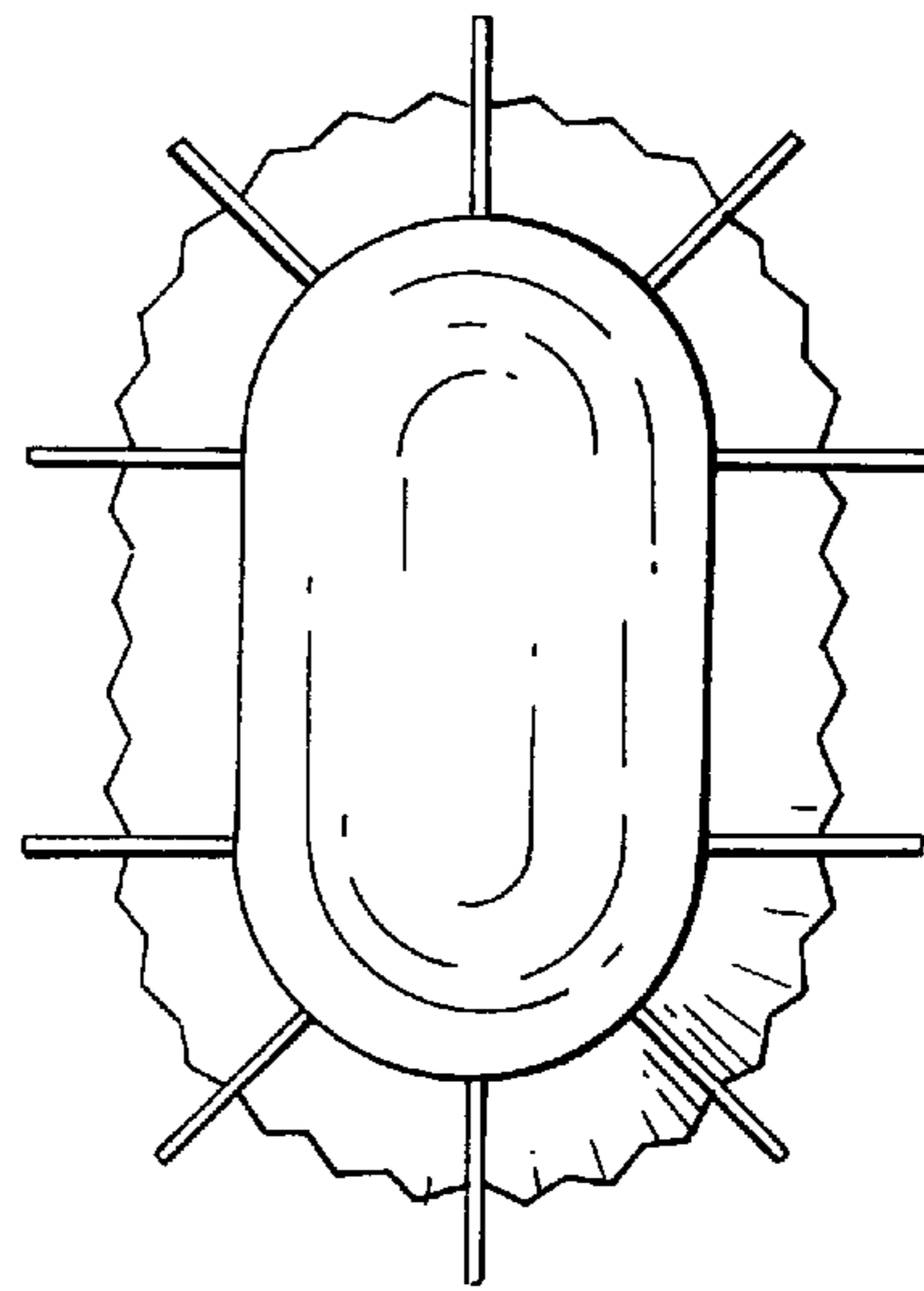


FIG. 16

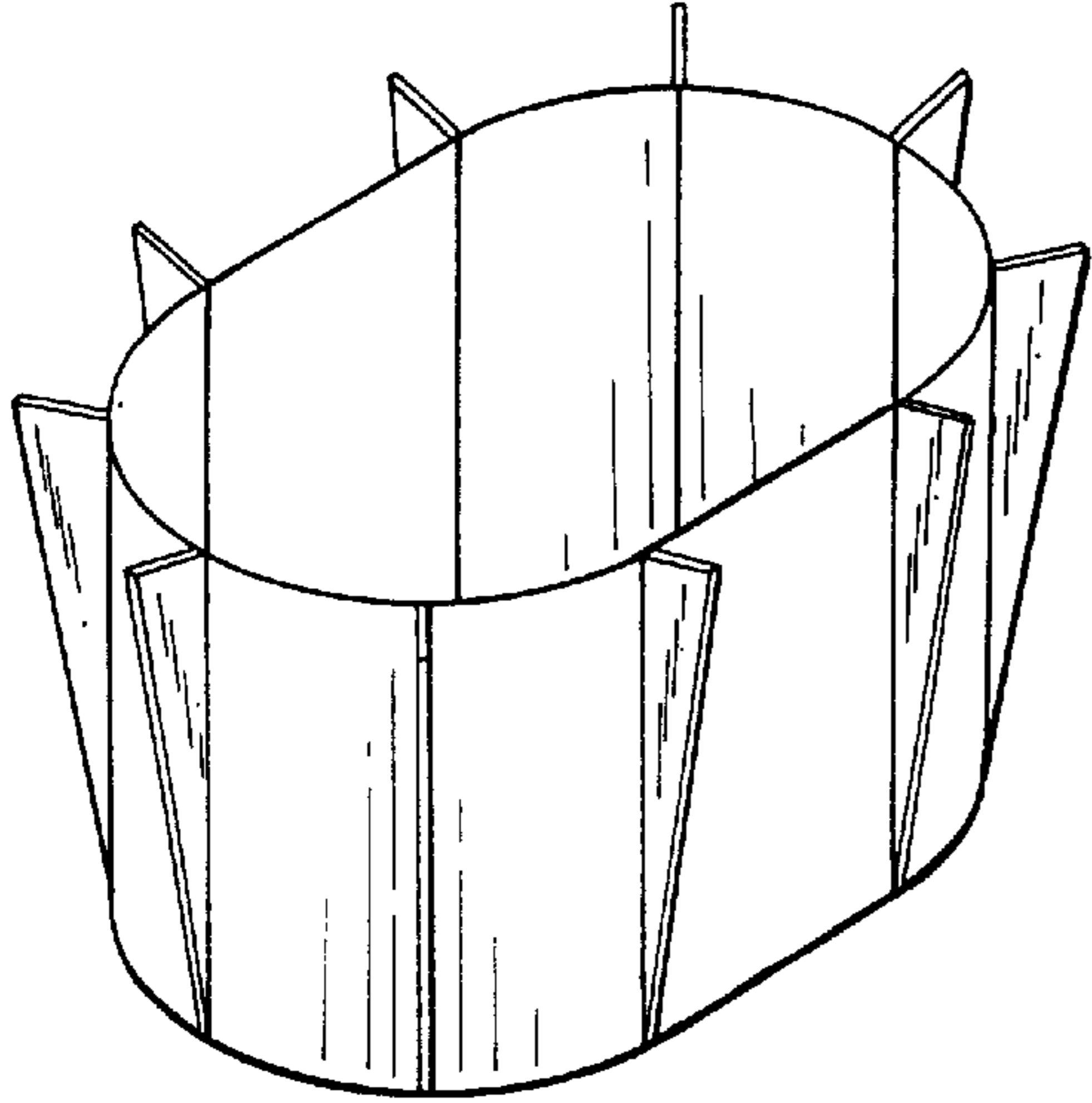


FIG. 17

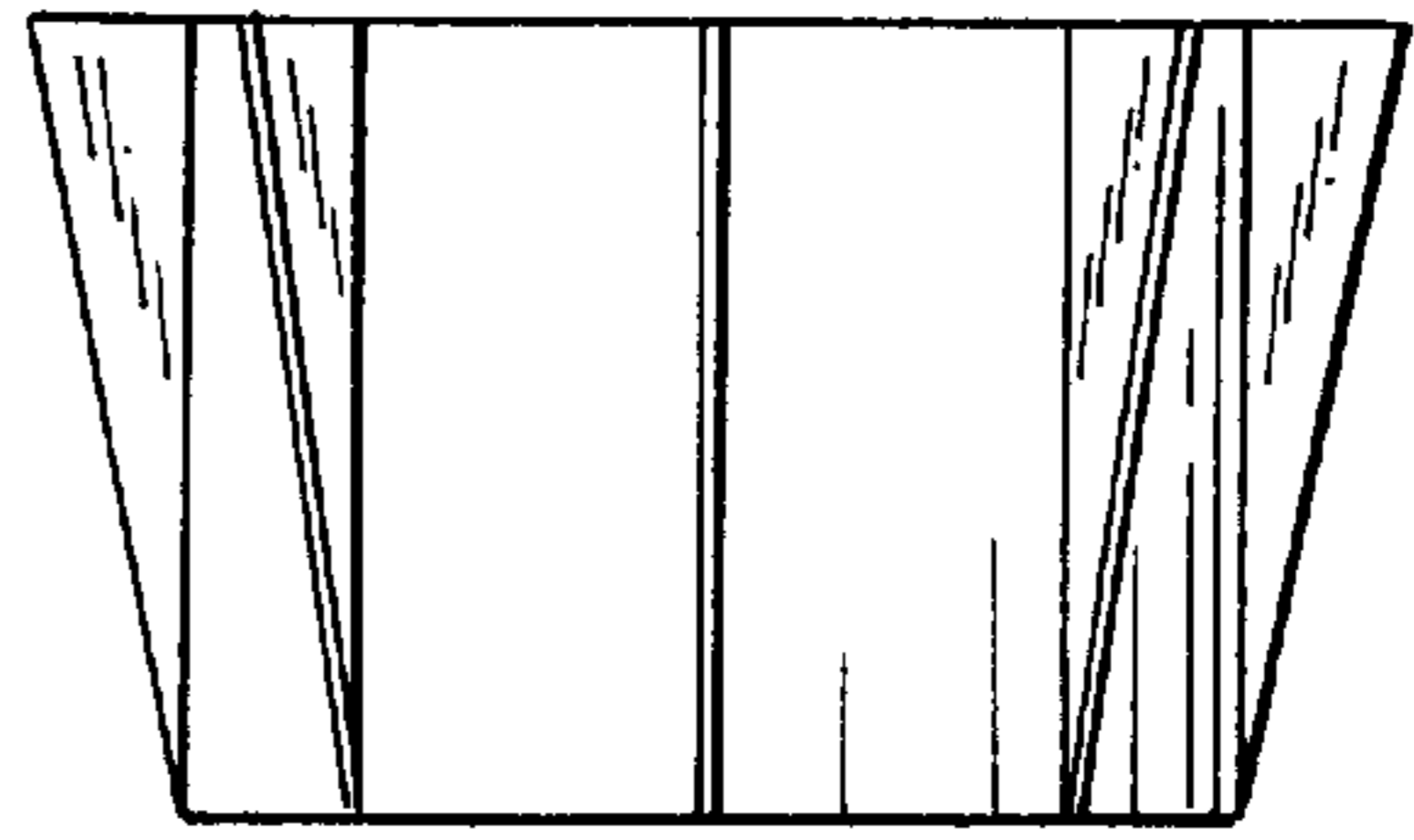


FIG. 18

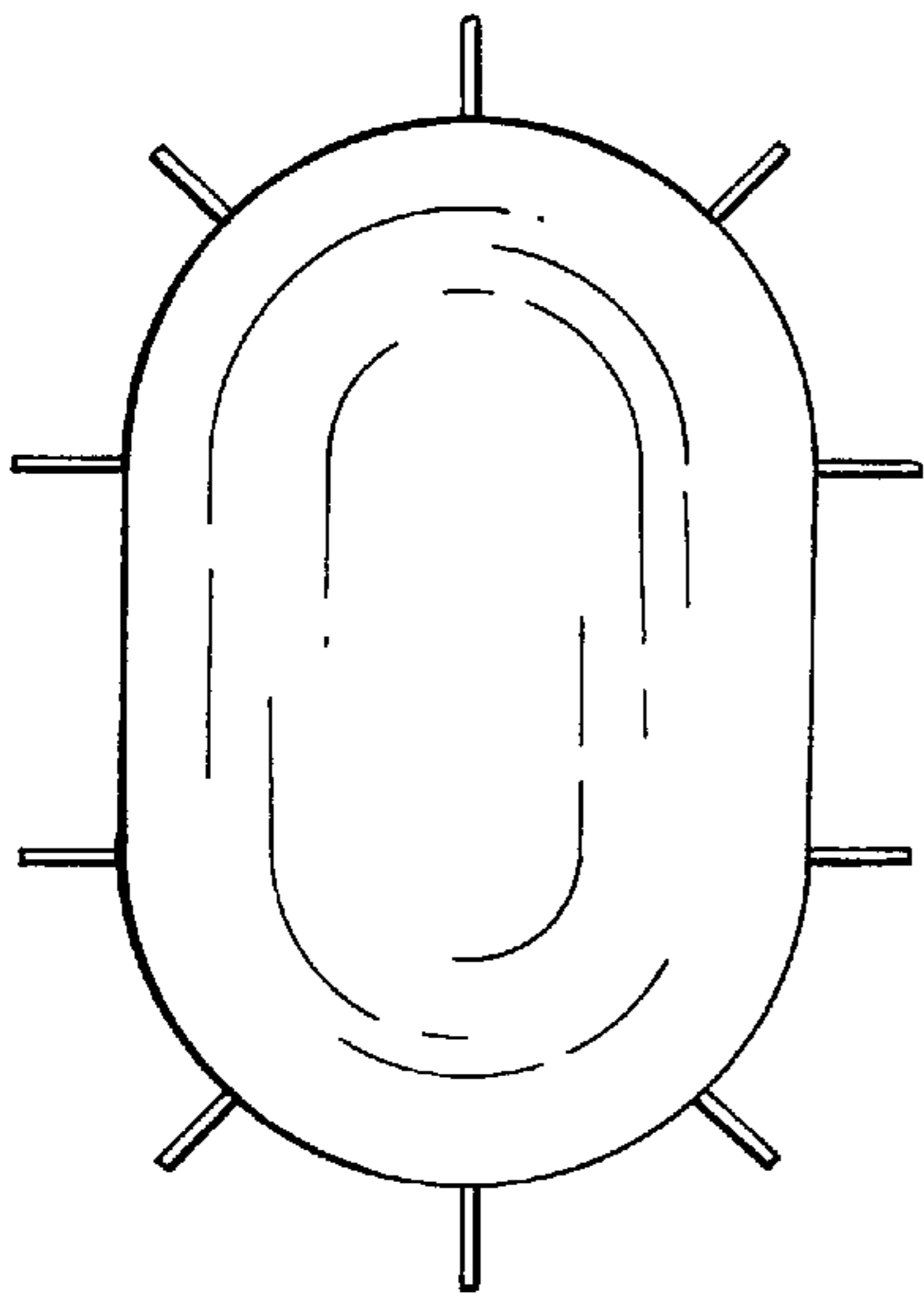


FIG. 19

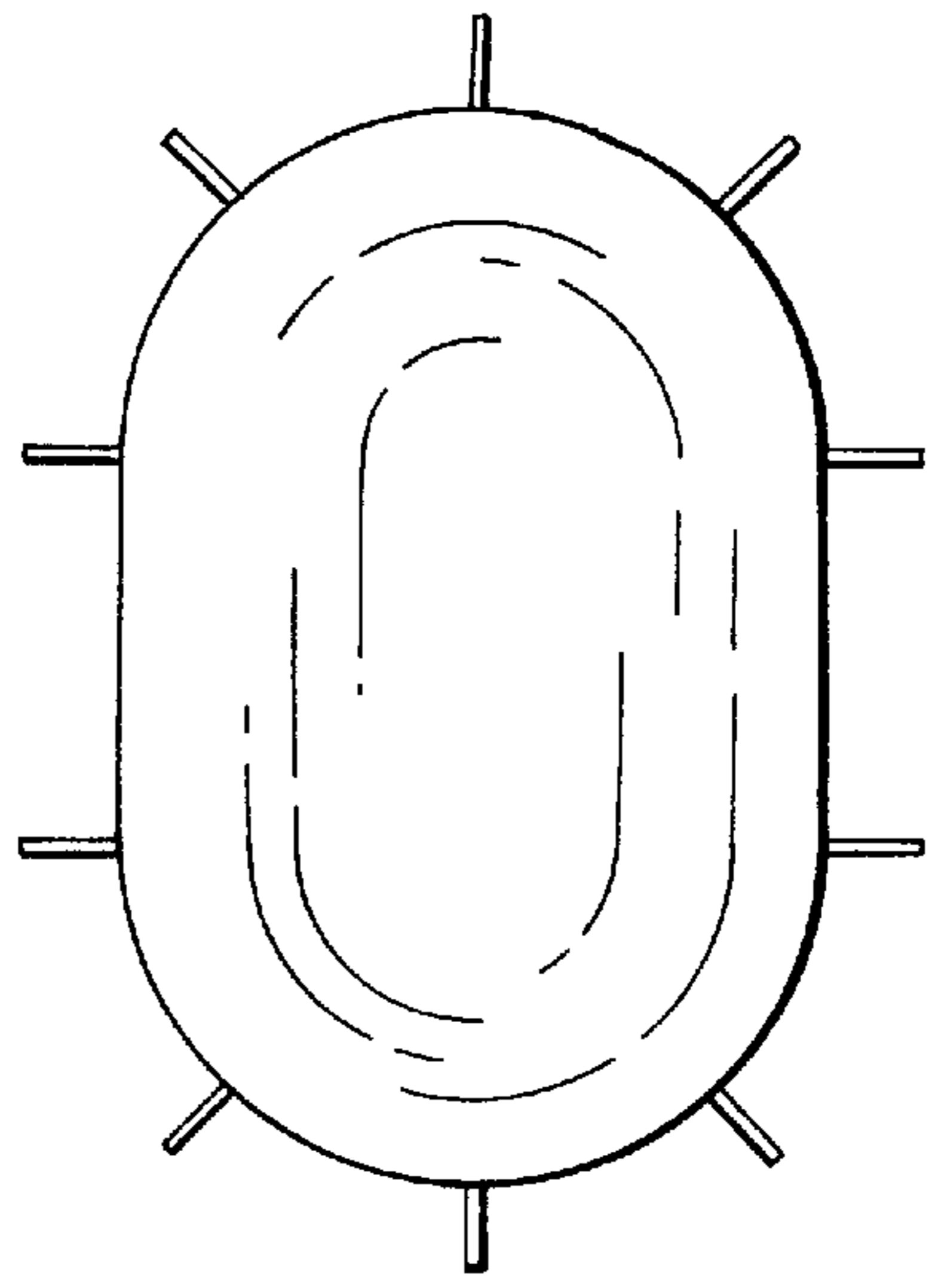


FIG. 20

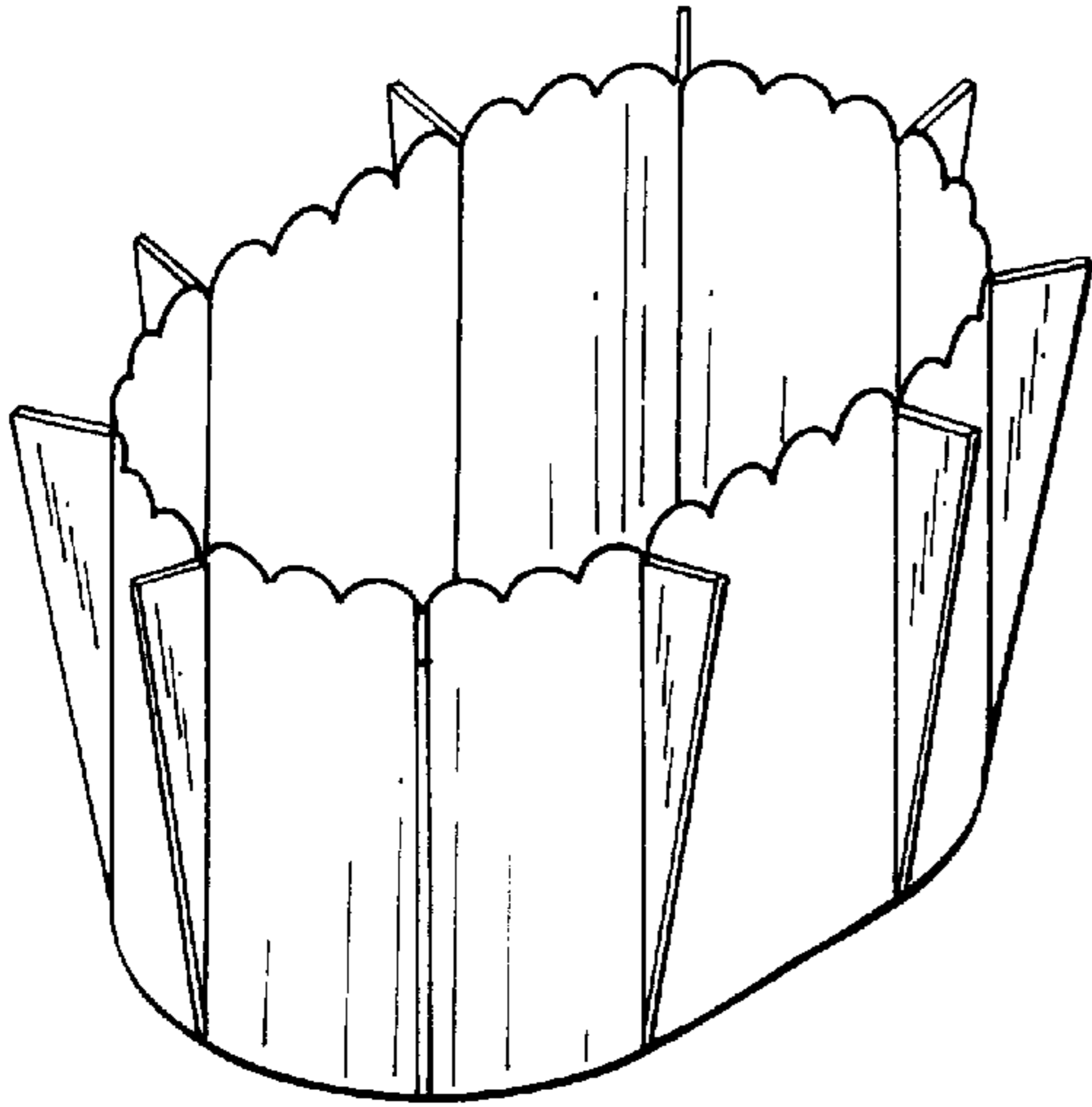


FIG. 21

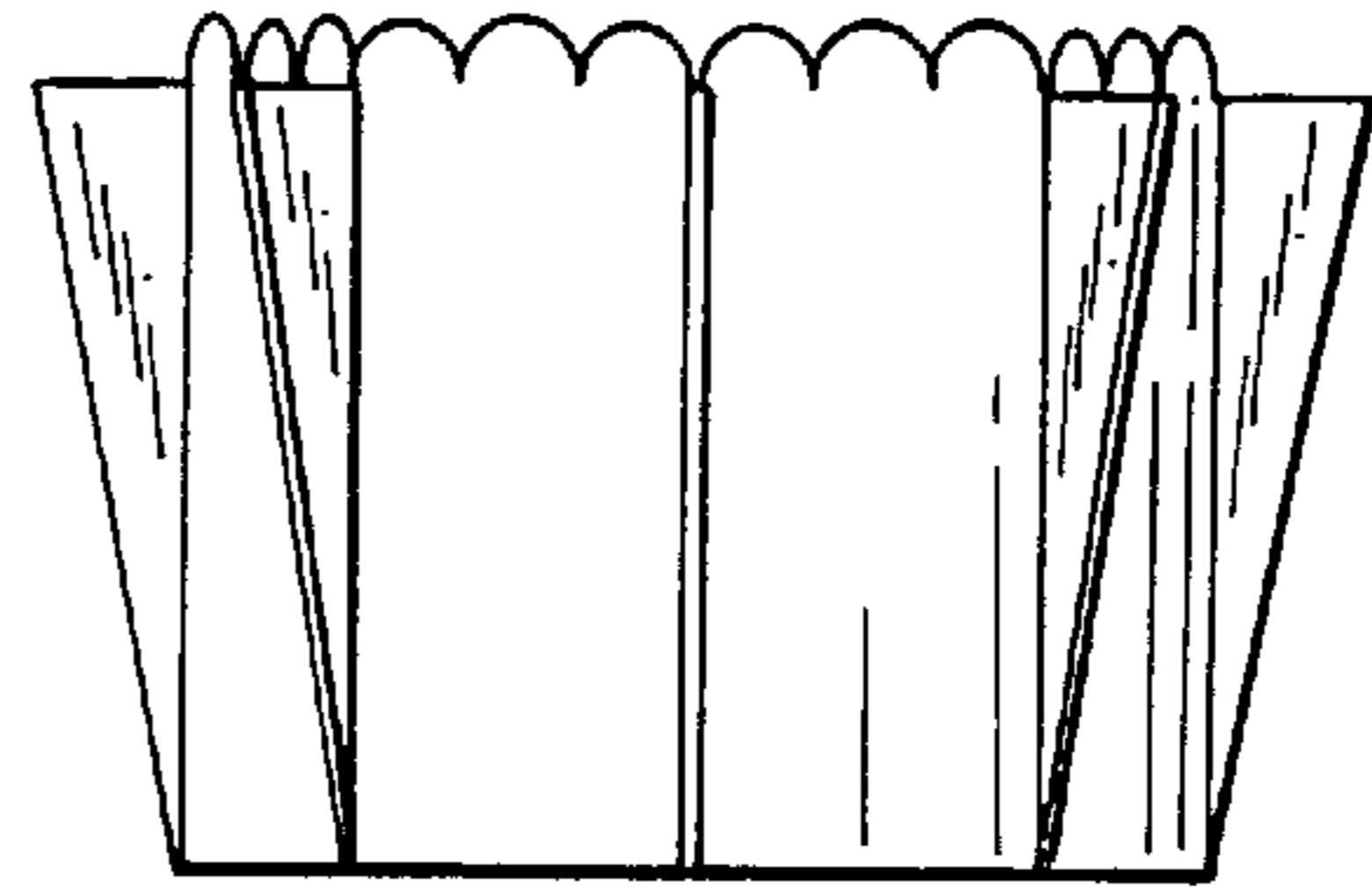


FIG. 22

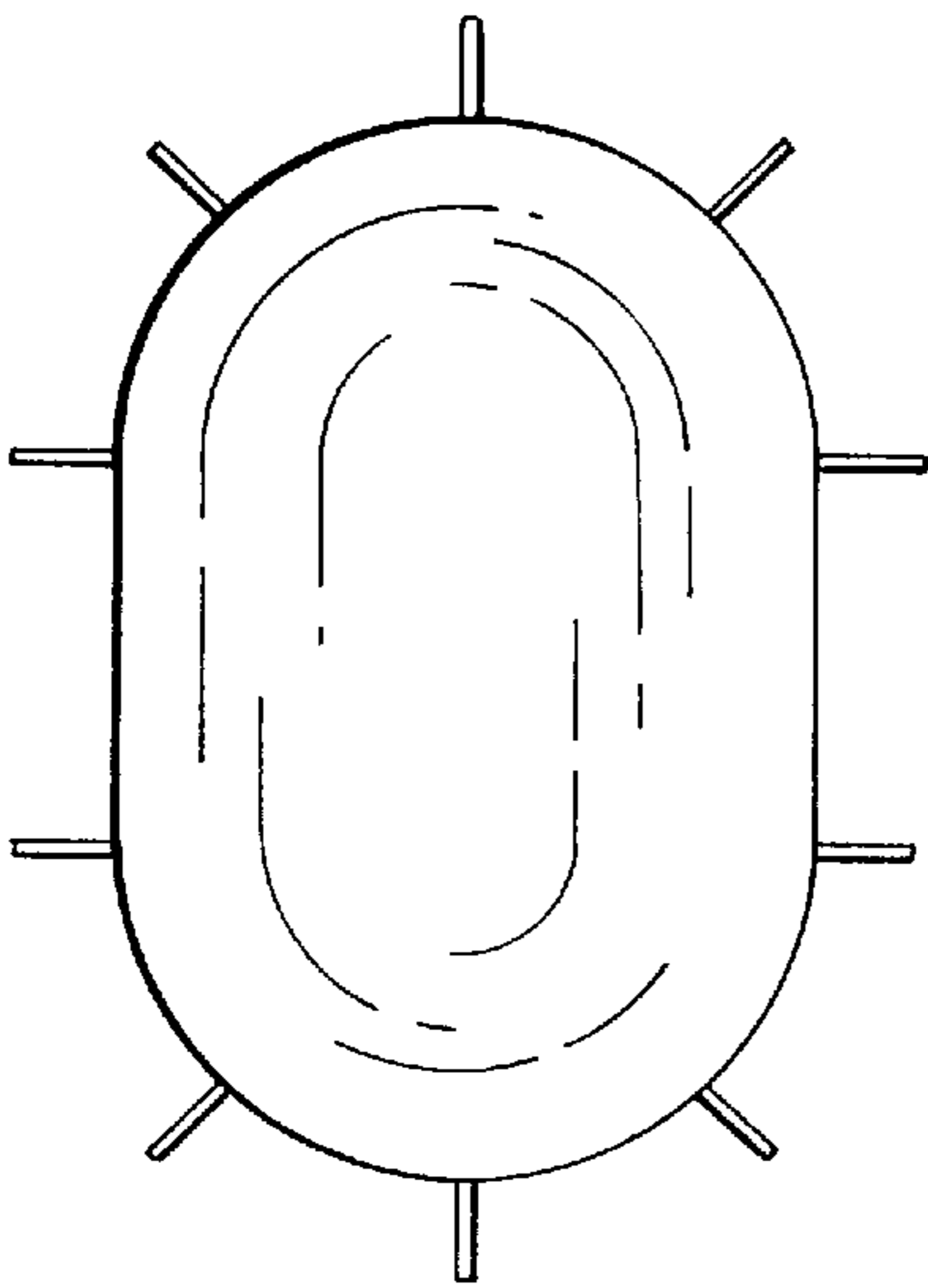


FIG. 23

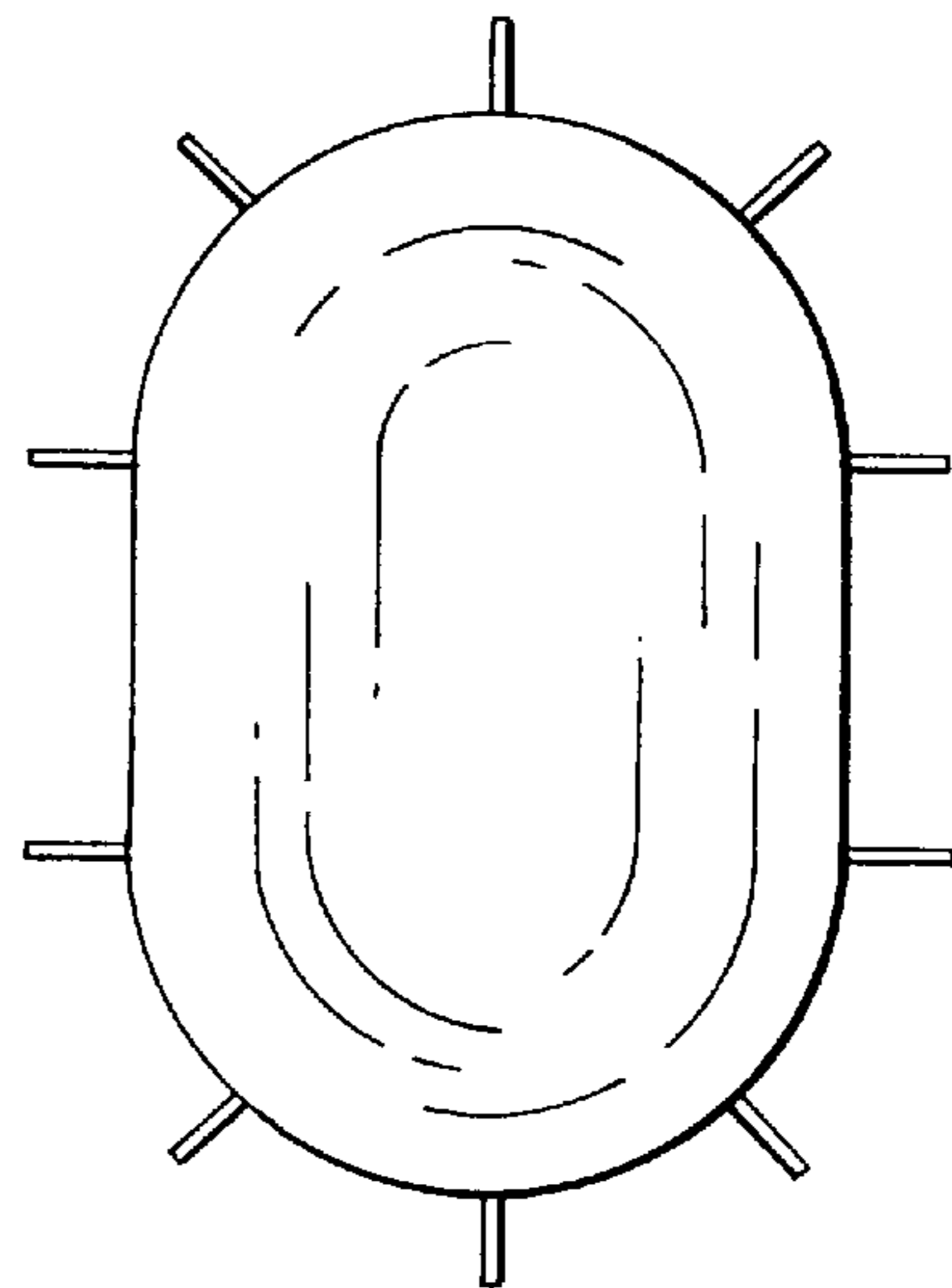


FIG. 24



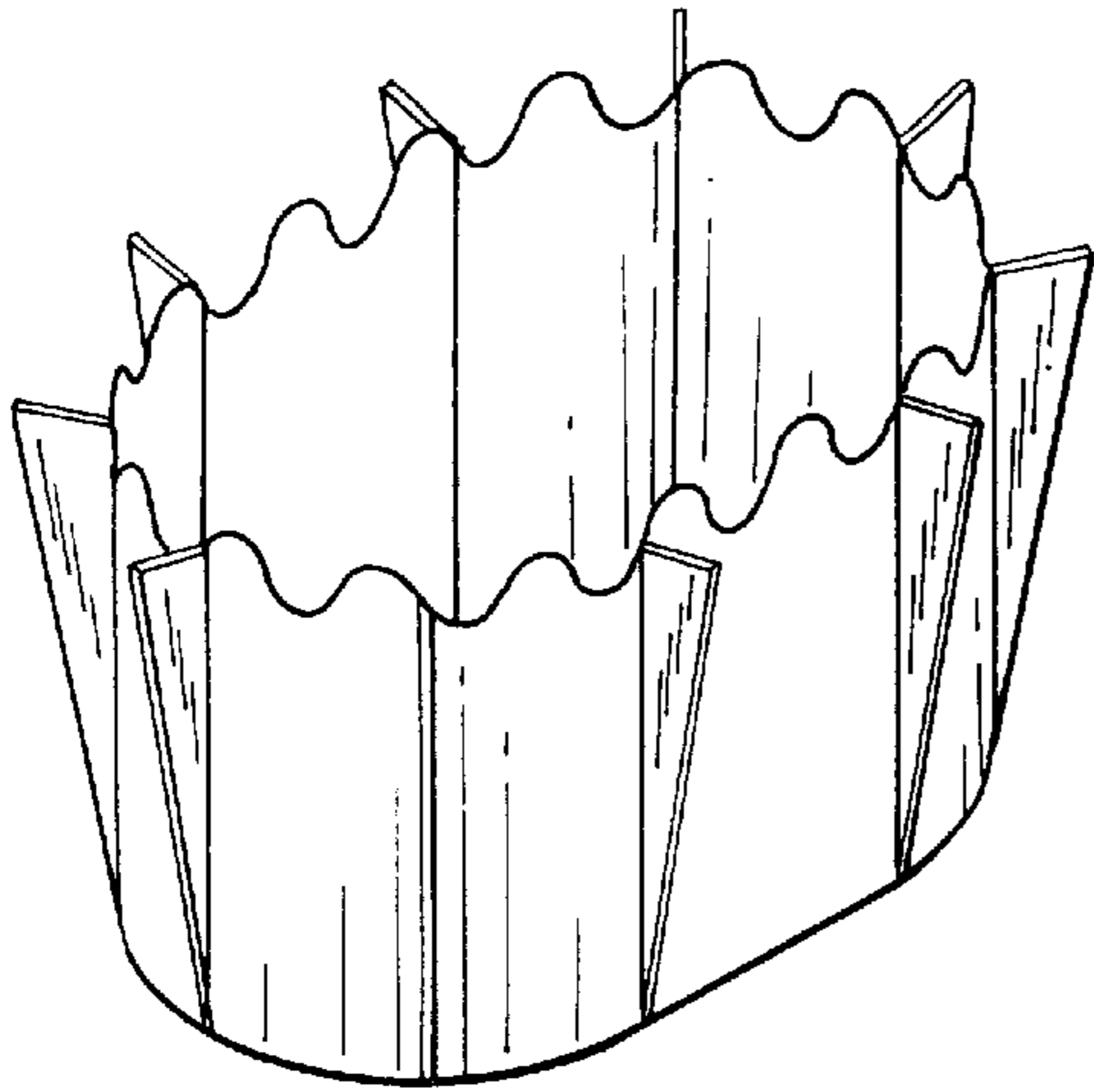


FIG. 25

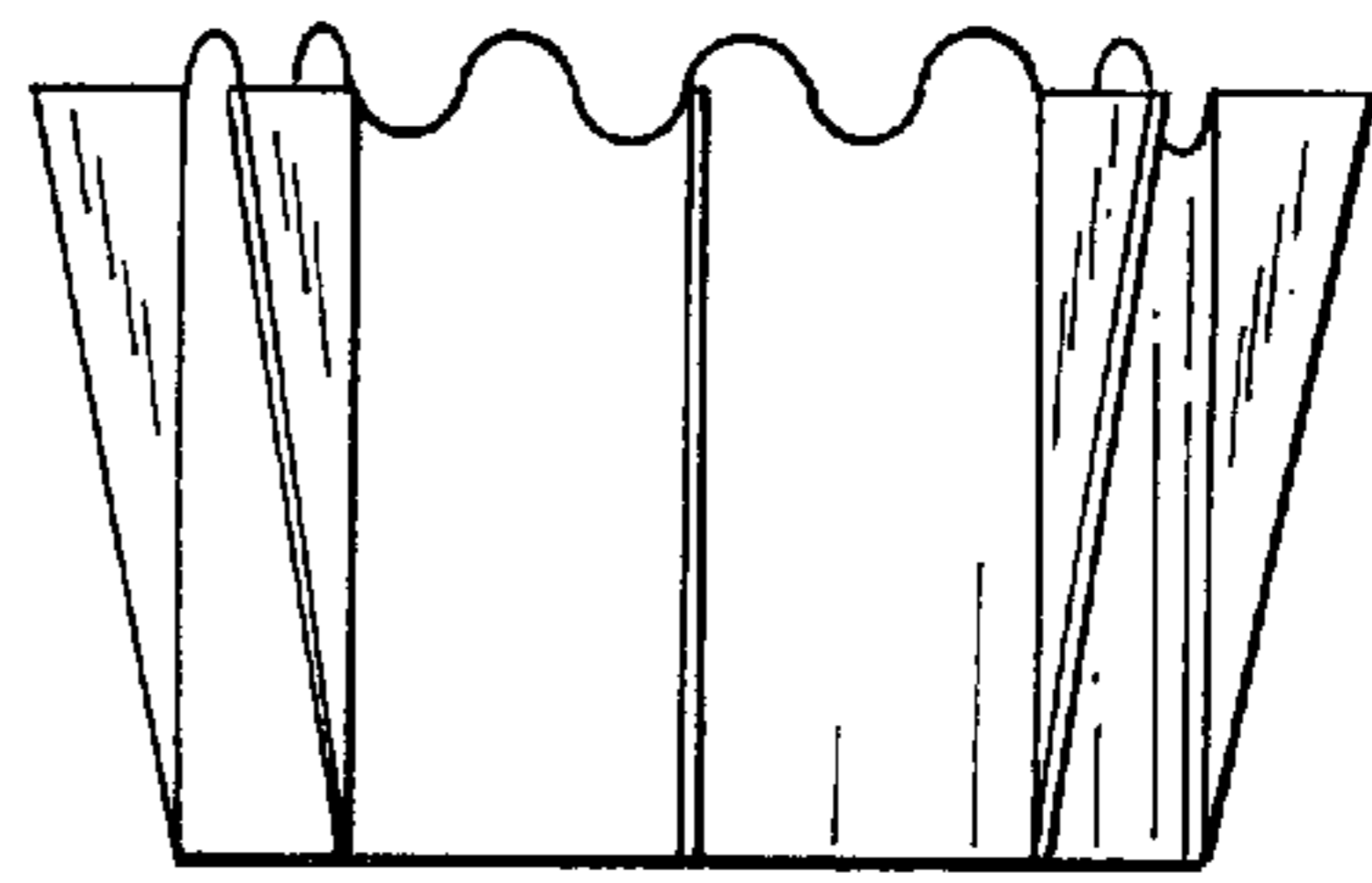


FIG. 26

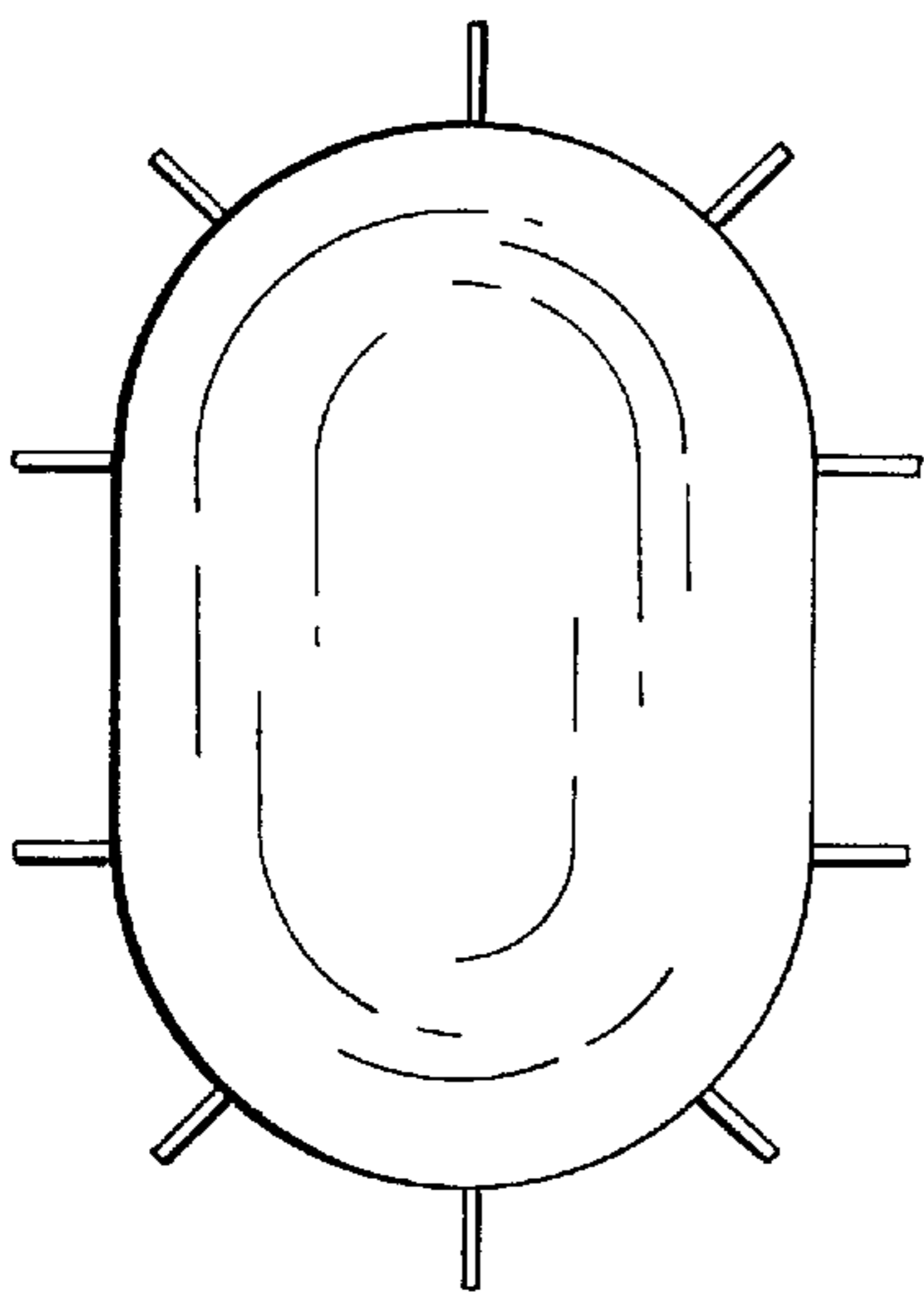


FIG. 27

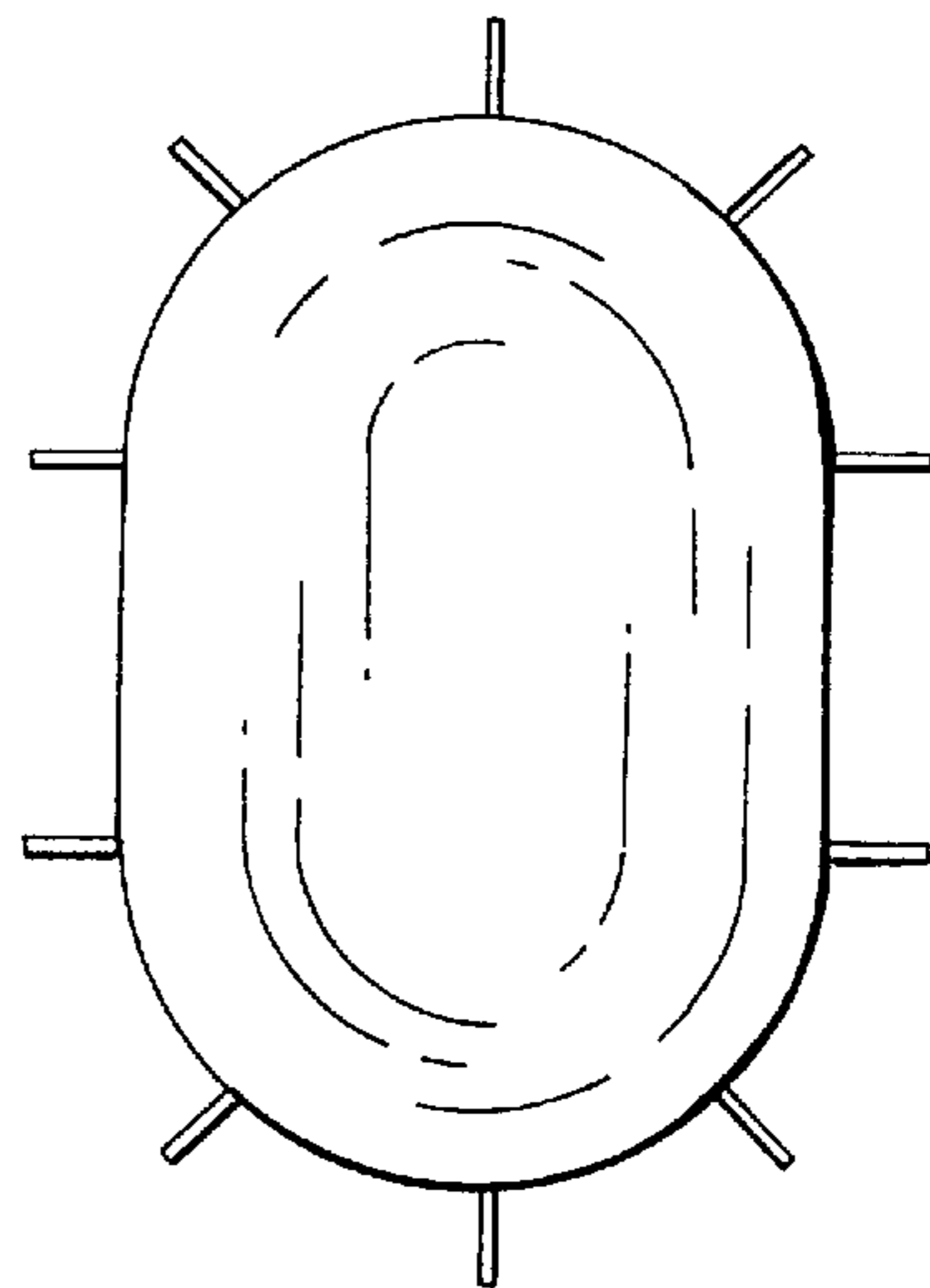


FIG. 28

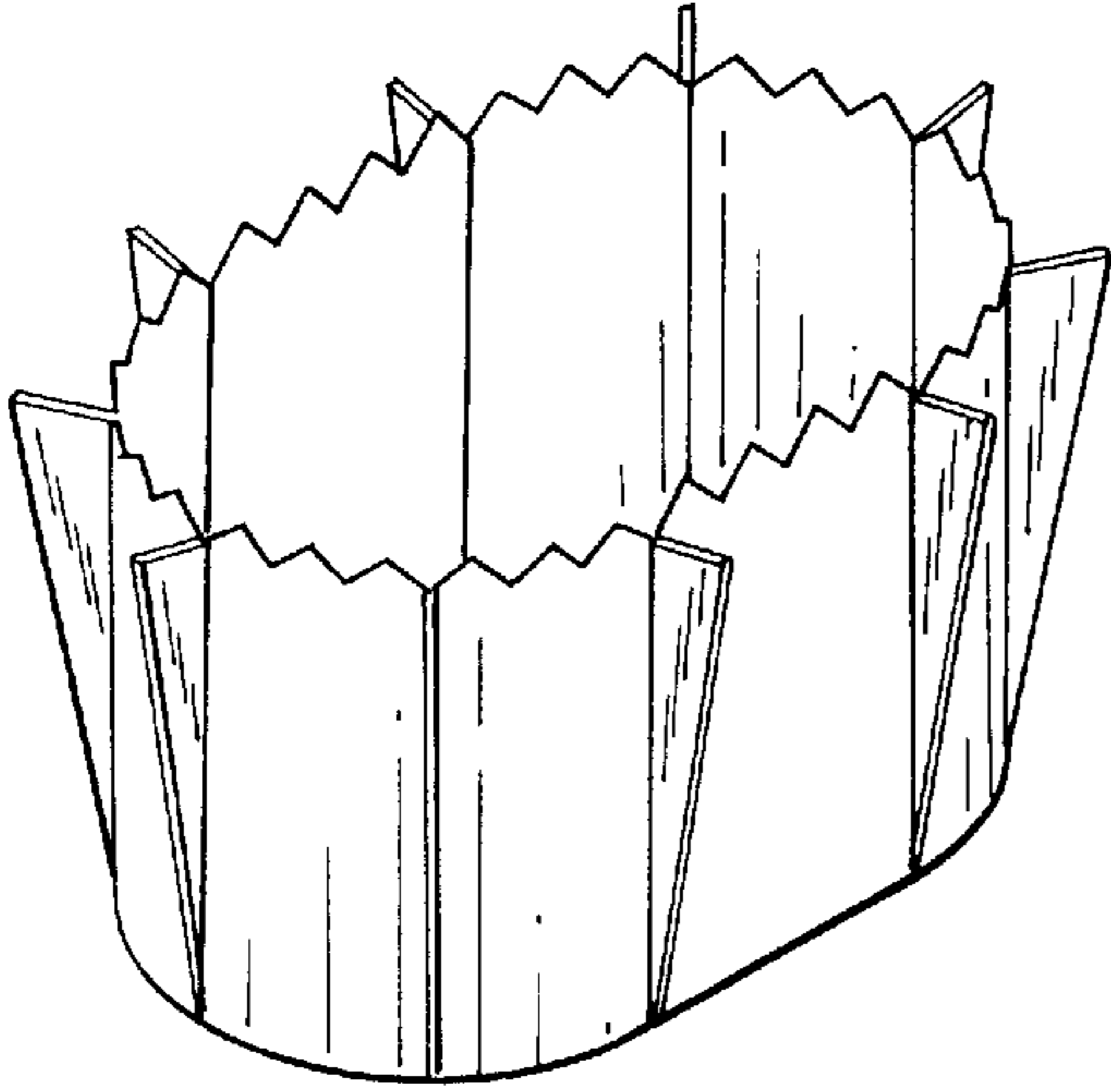


FIG. 28

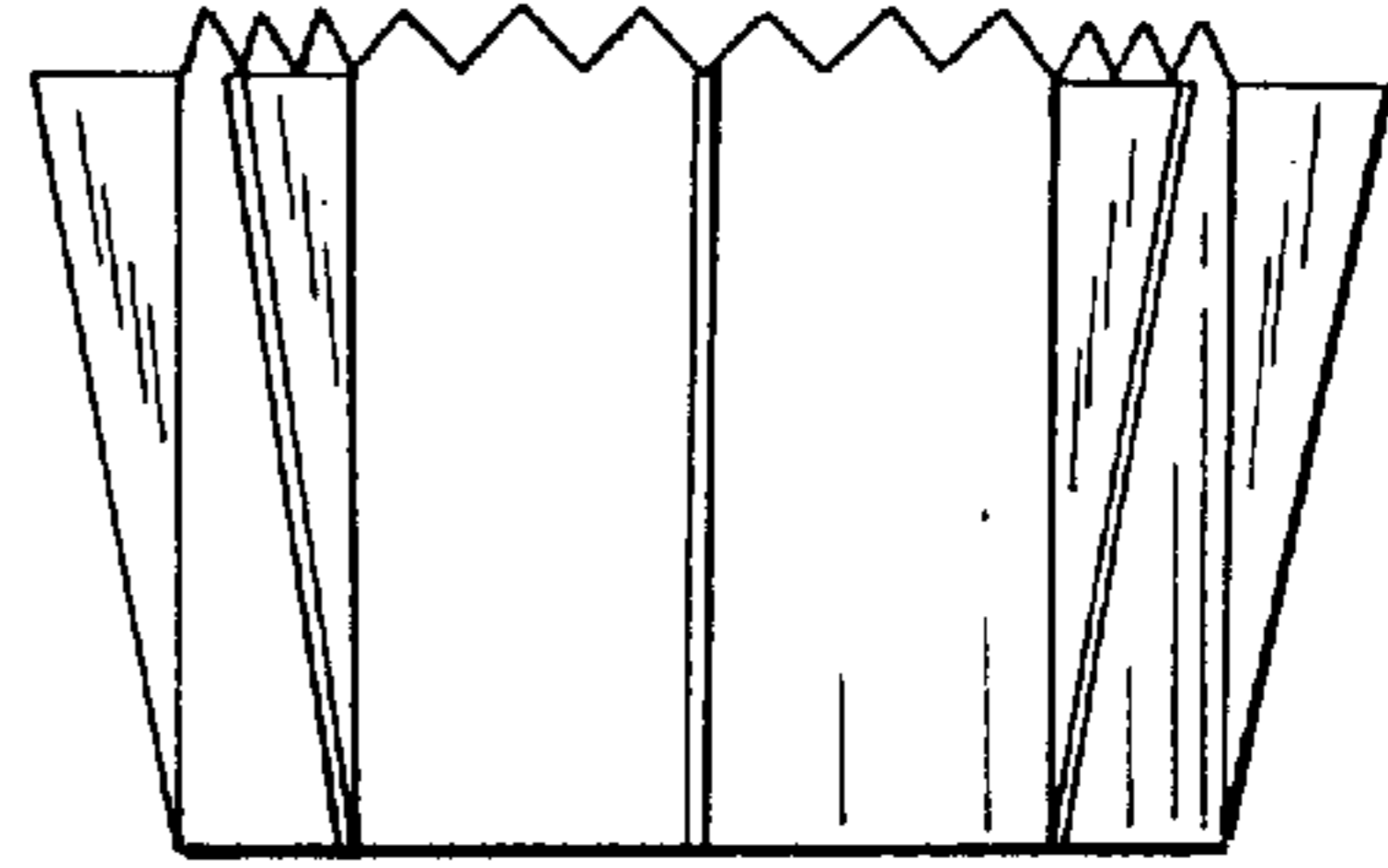


FIG. 30

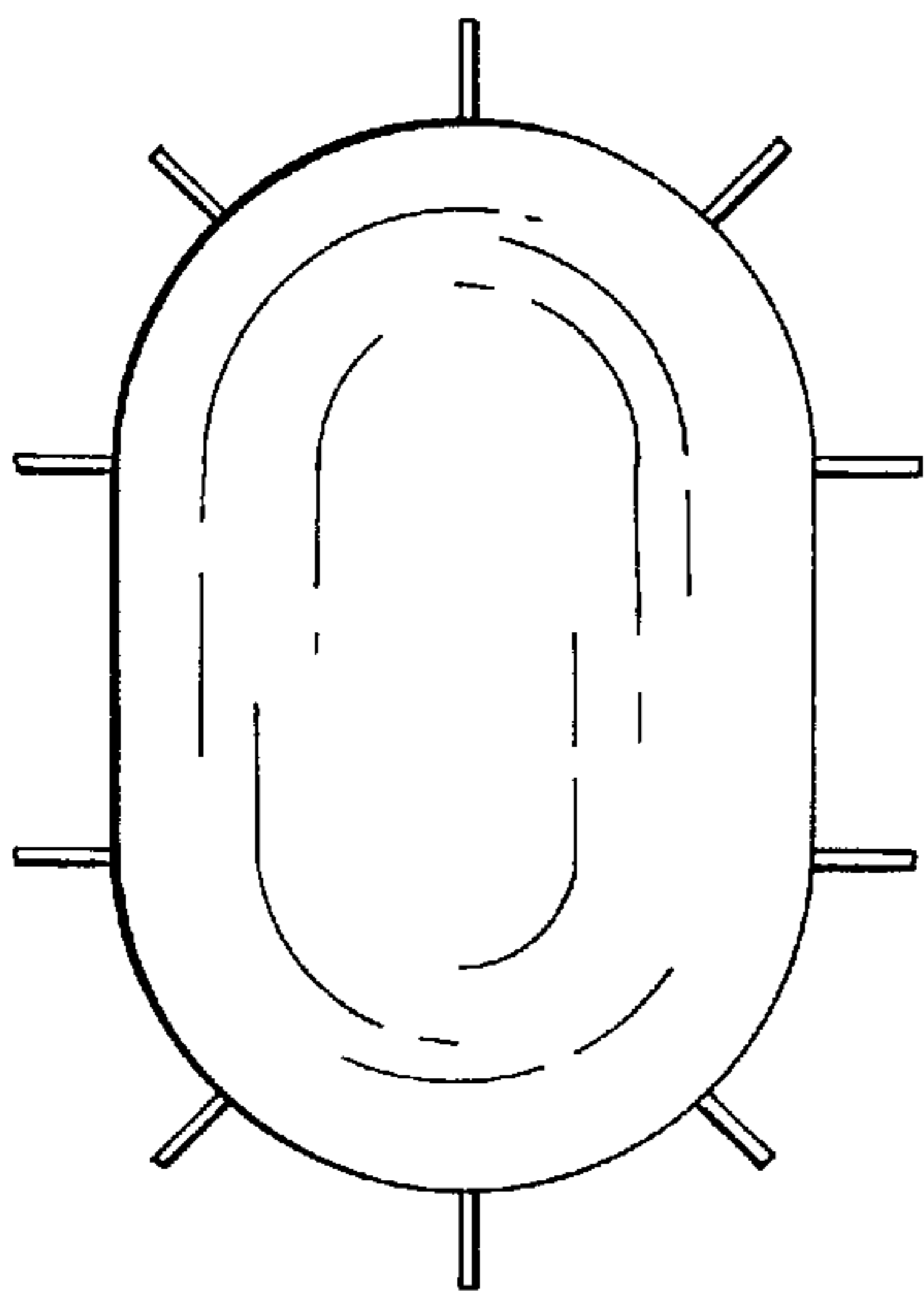


FIG. 31

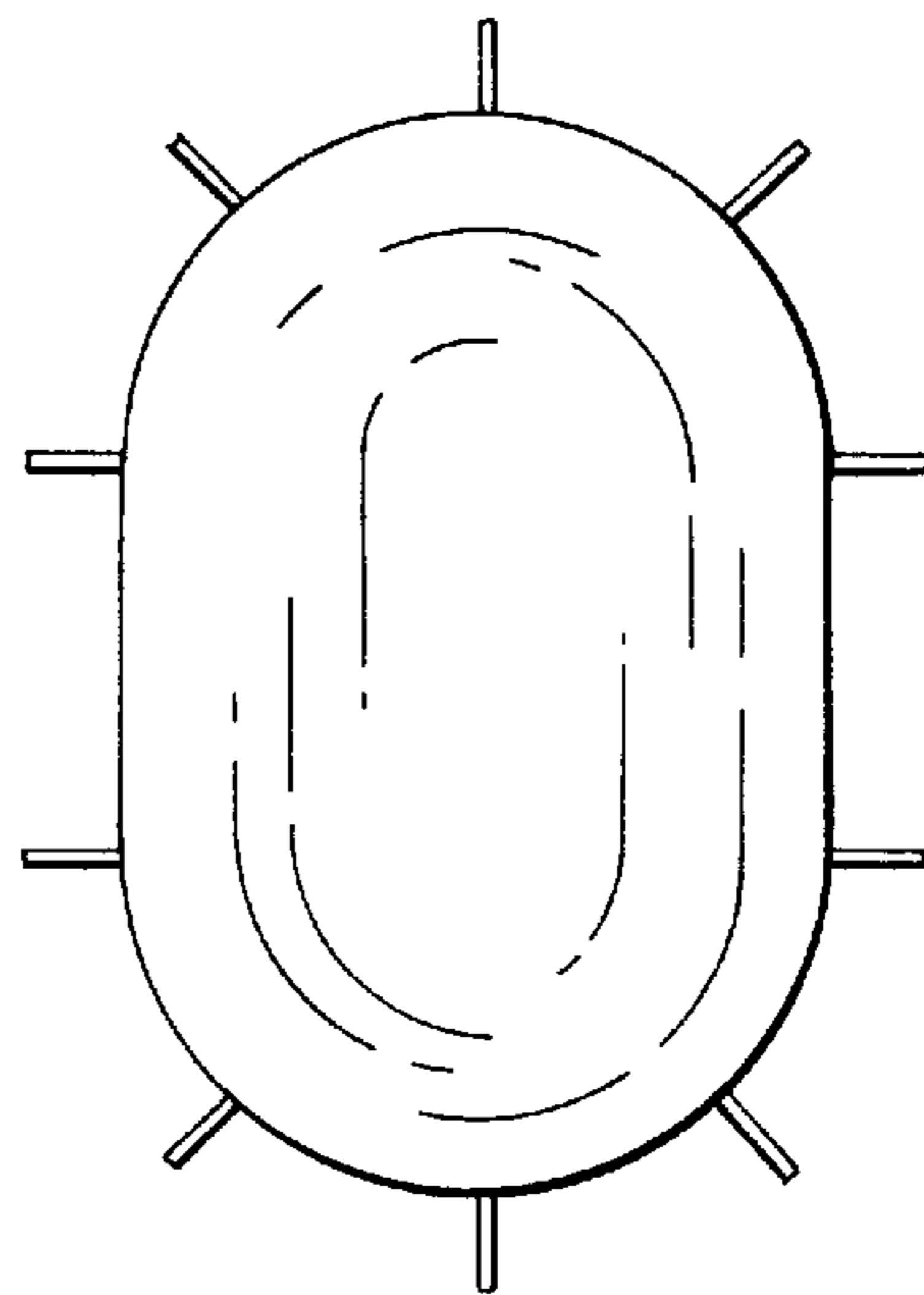


FIG. 32

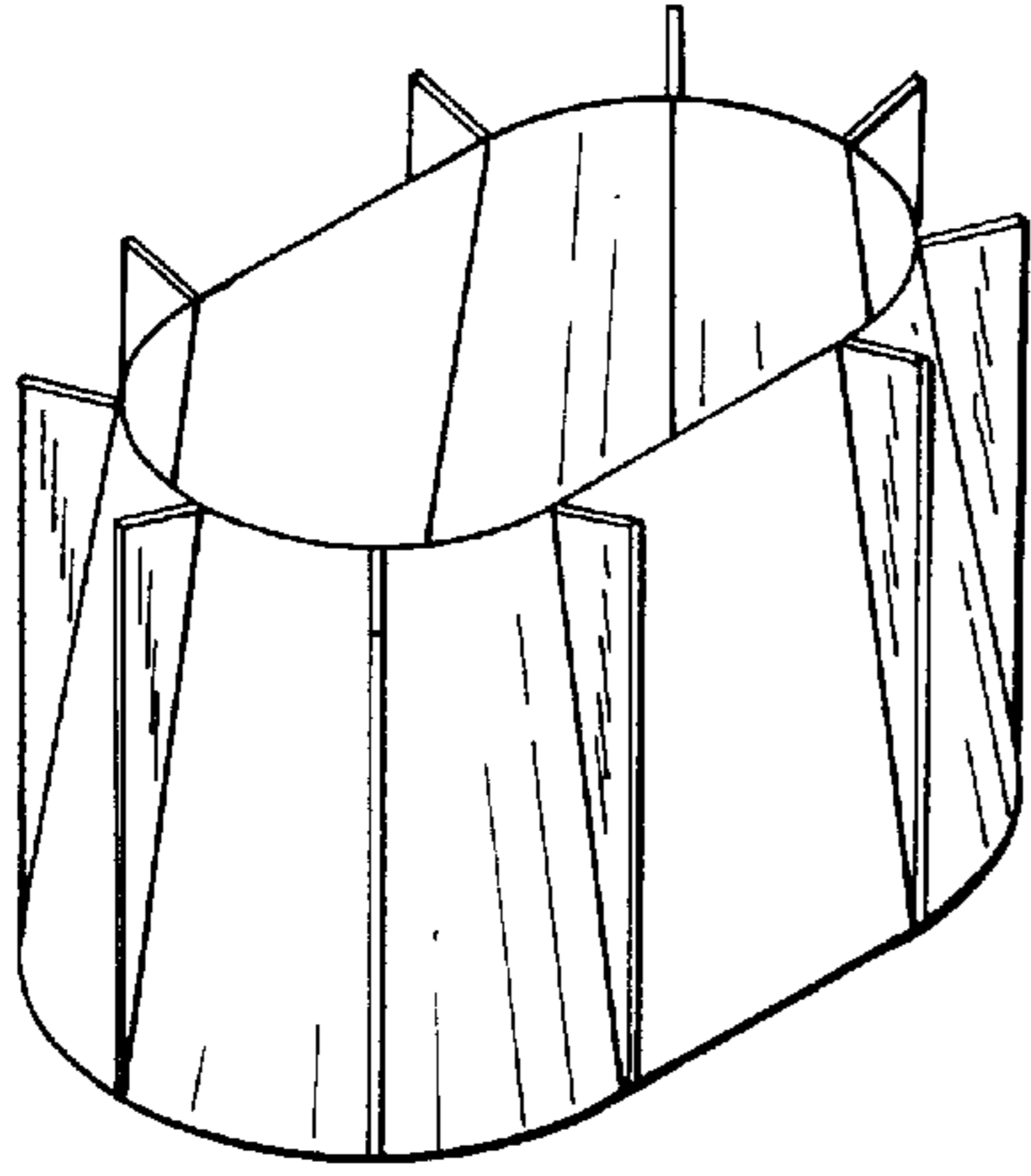


FIG. 33

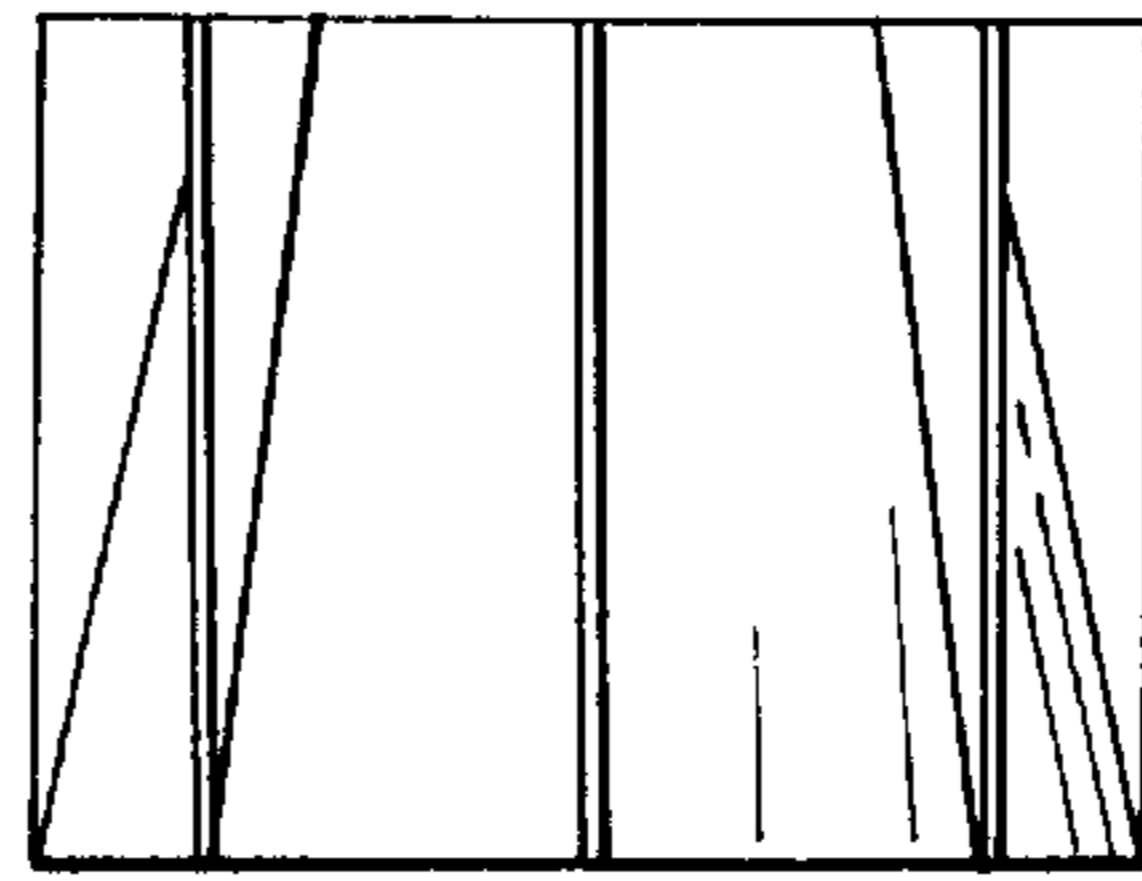


FIG. 34

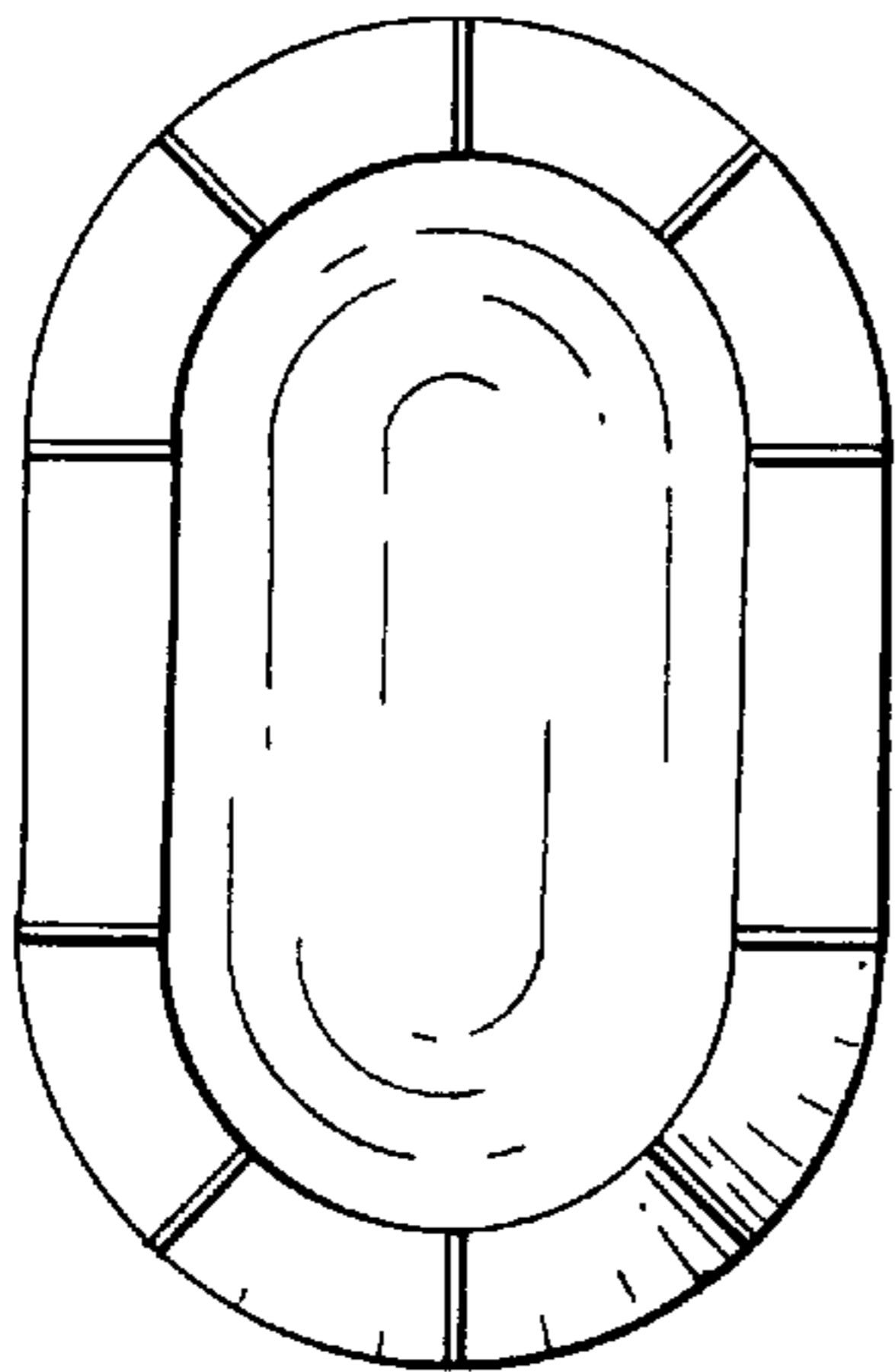


FIG. 35

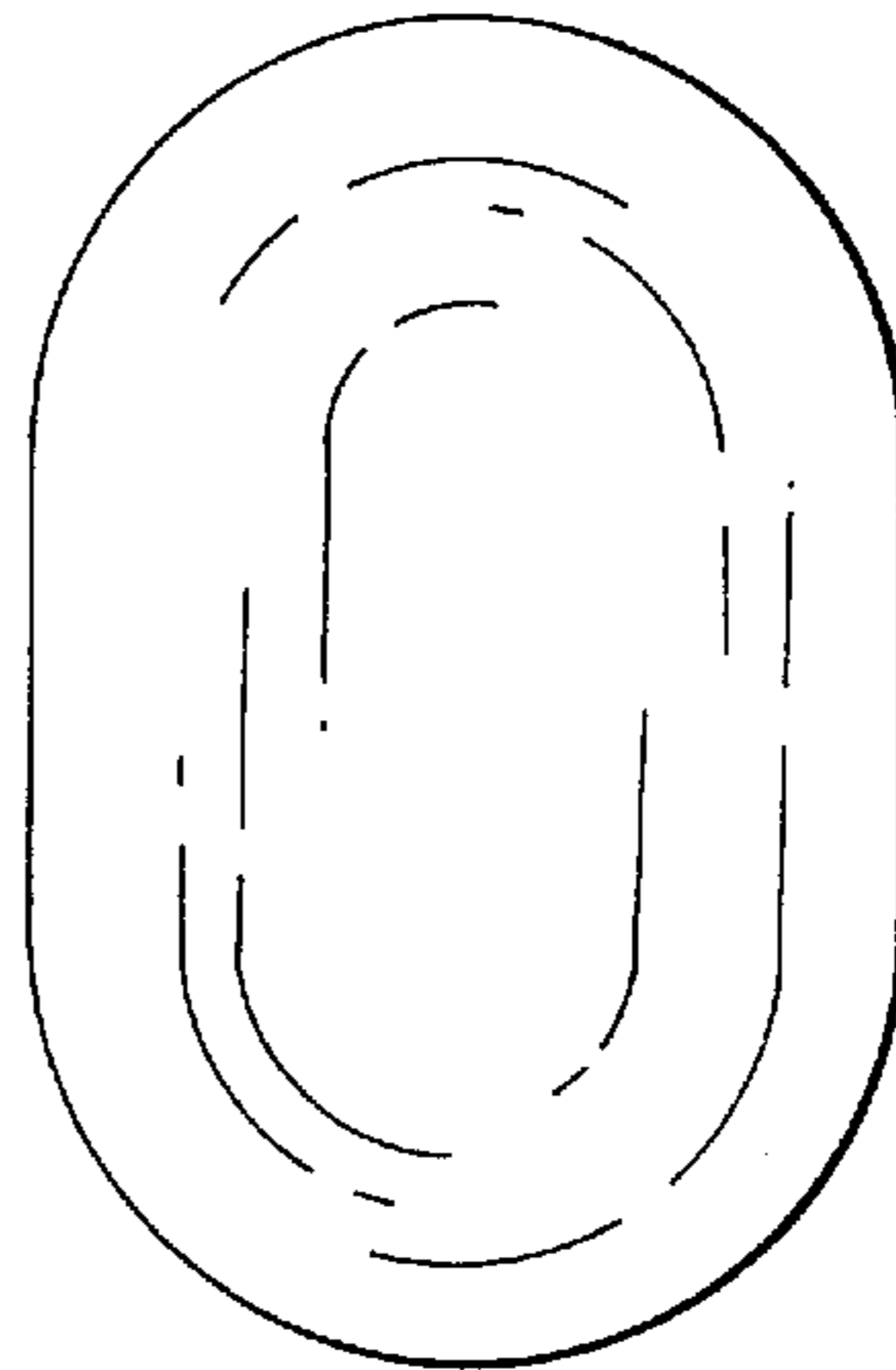


FIG. 36

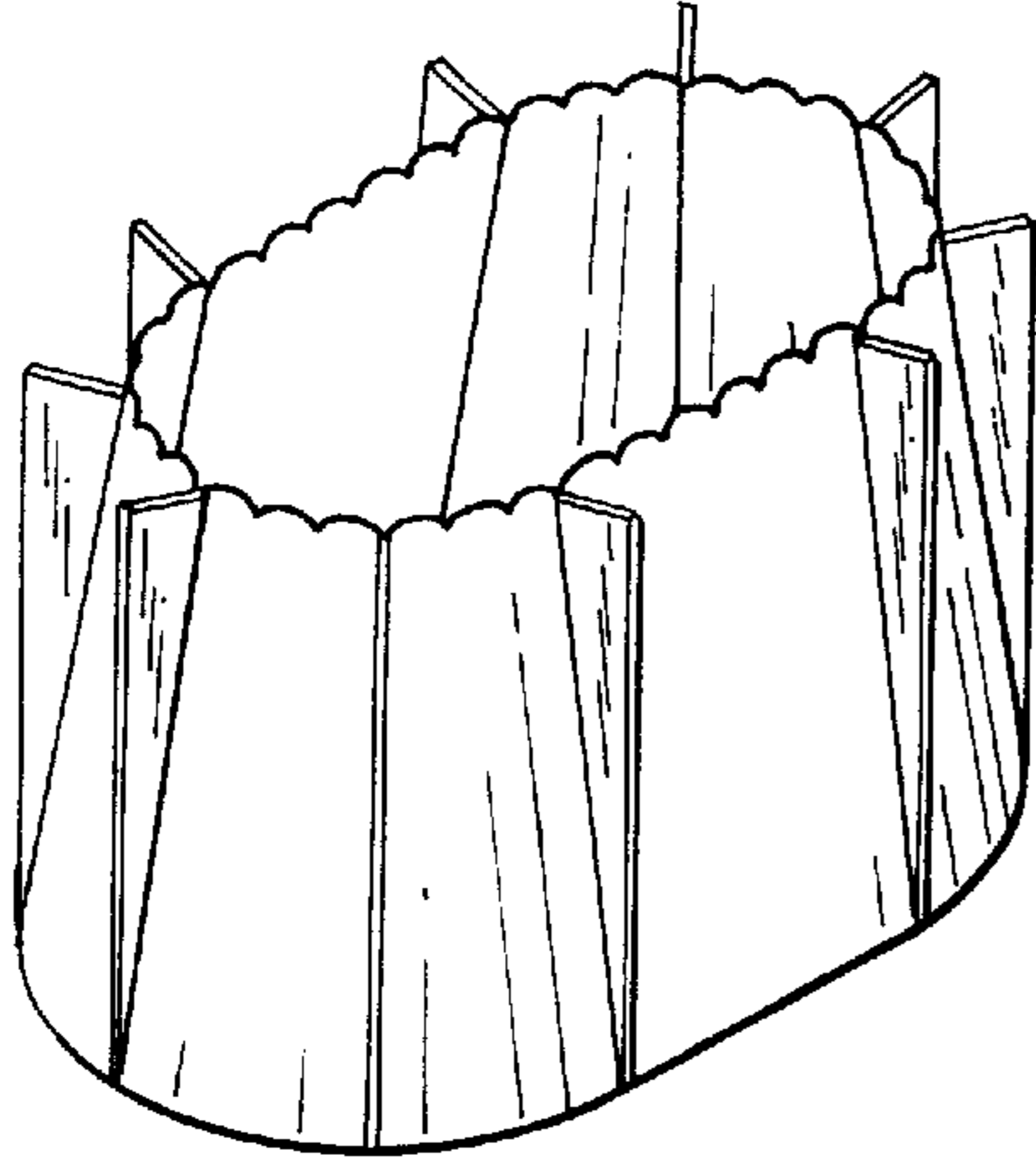


FIG. 37

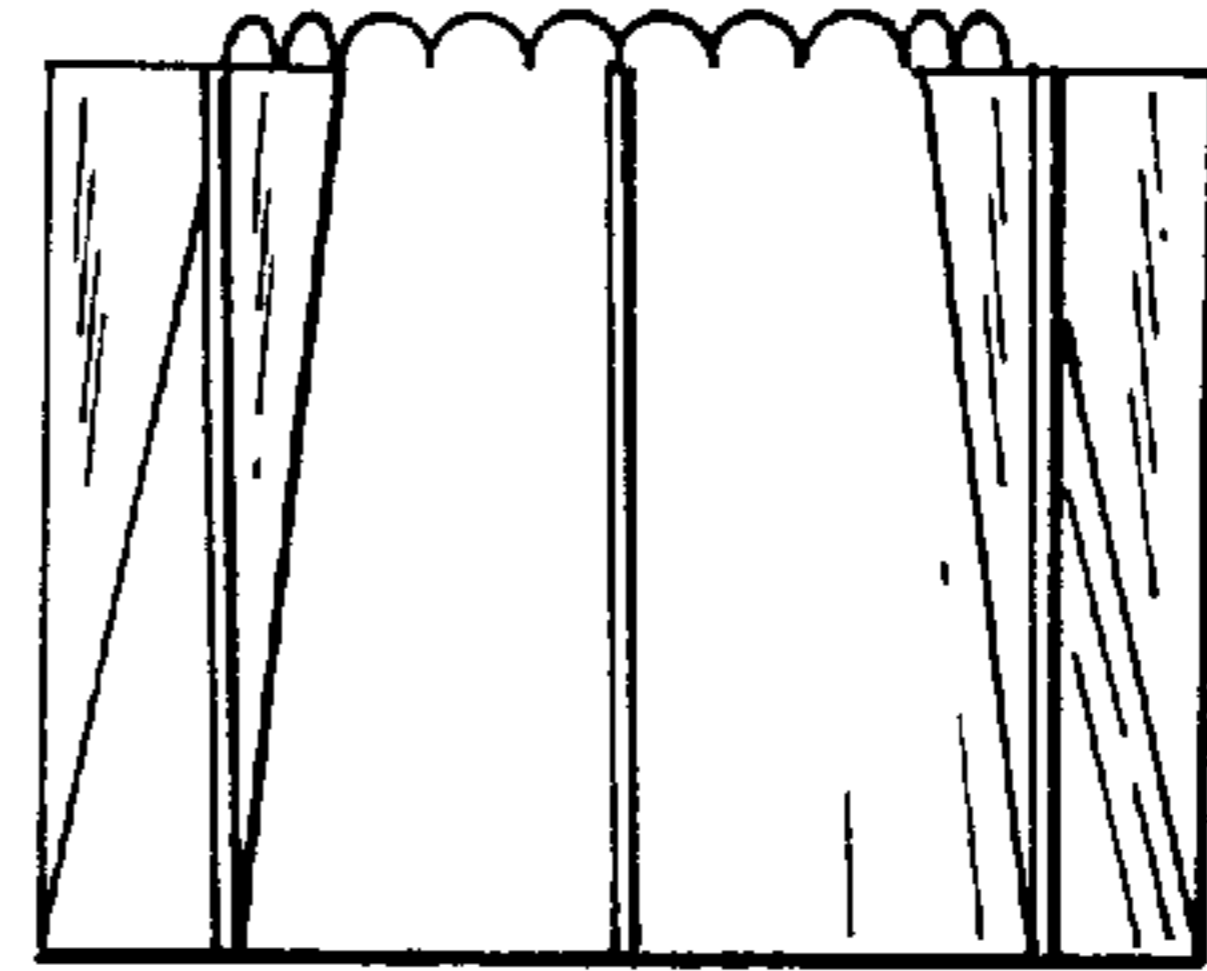


FIG. 38

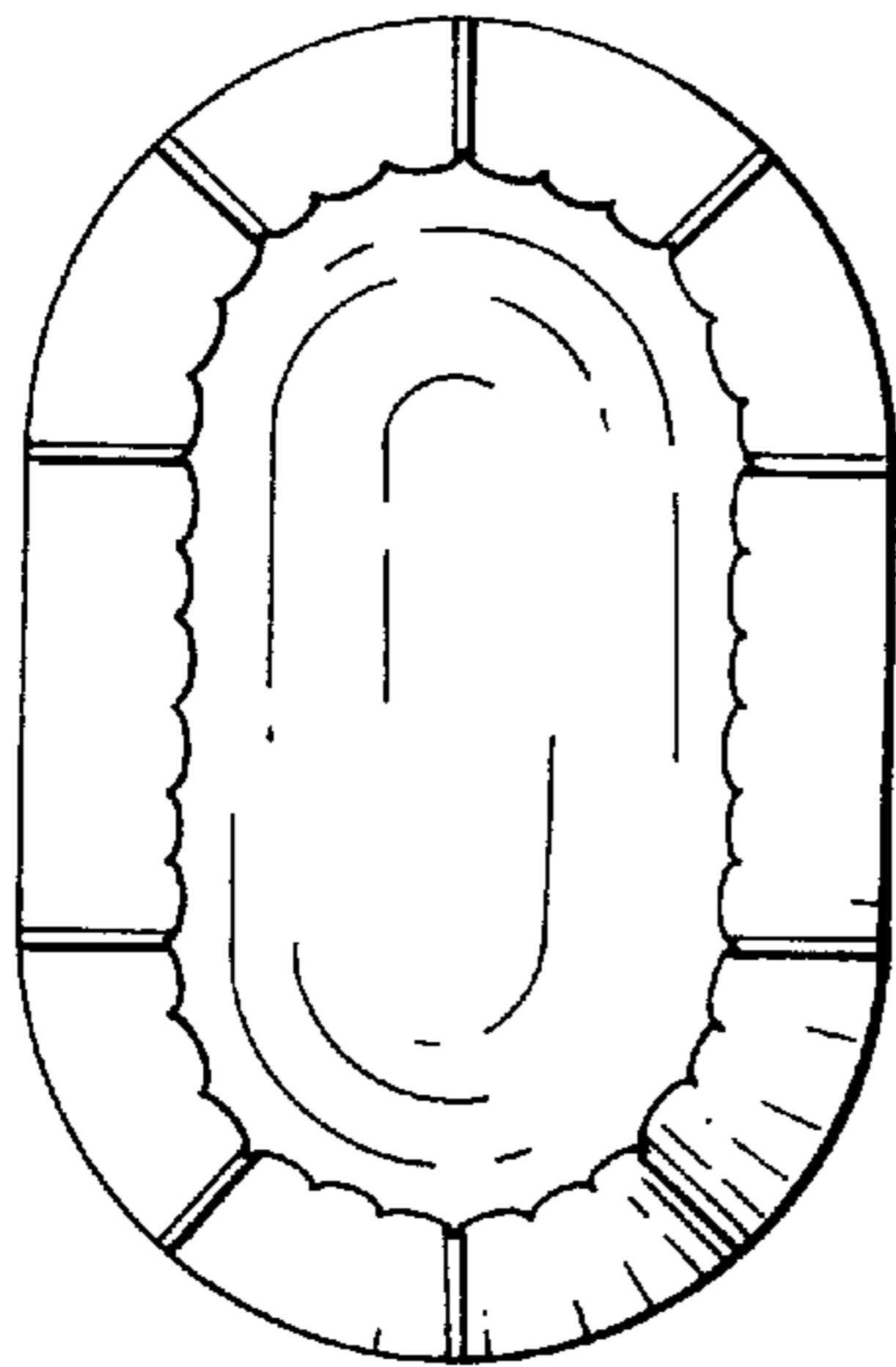


FIG. 39

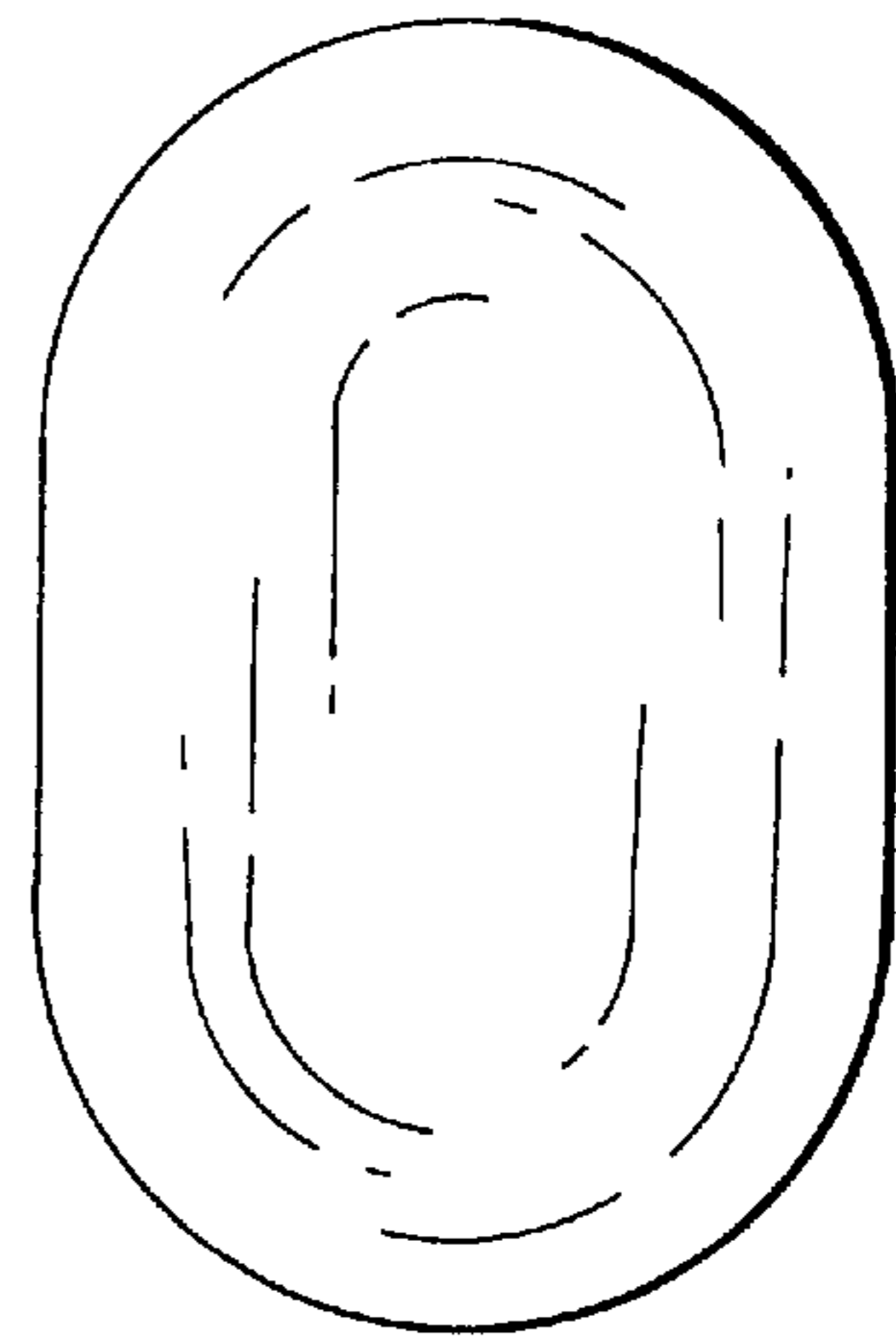


FIG. 40

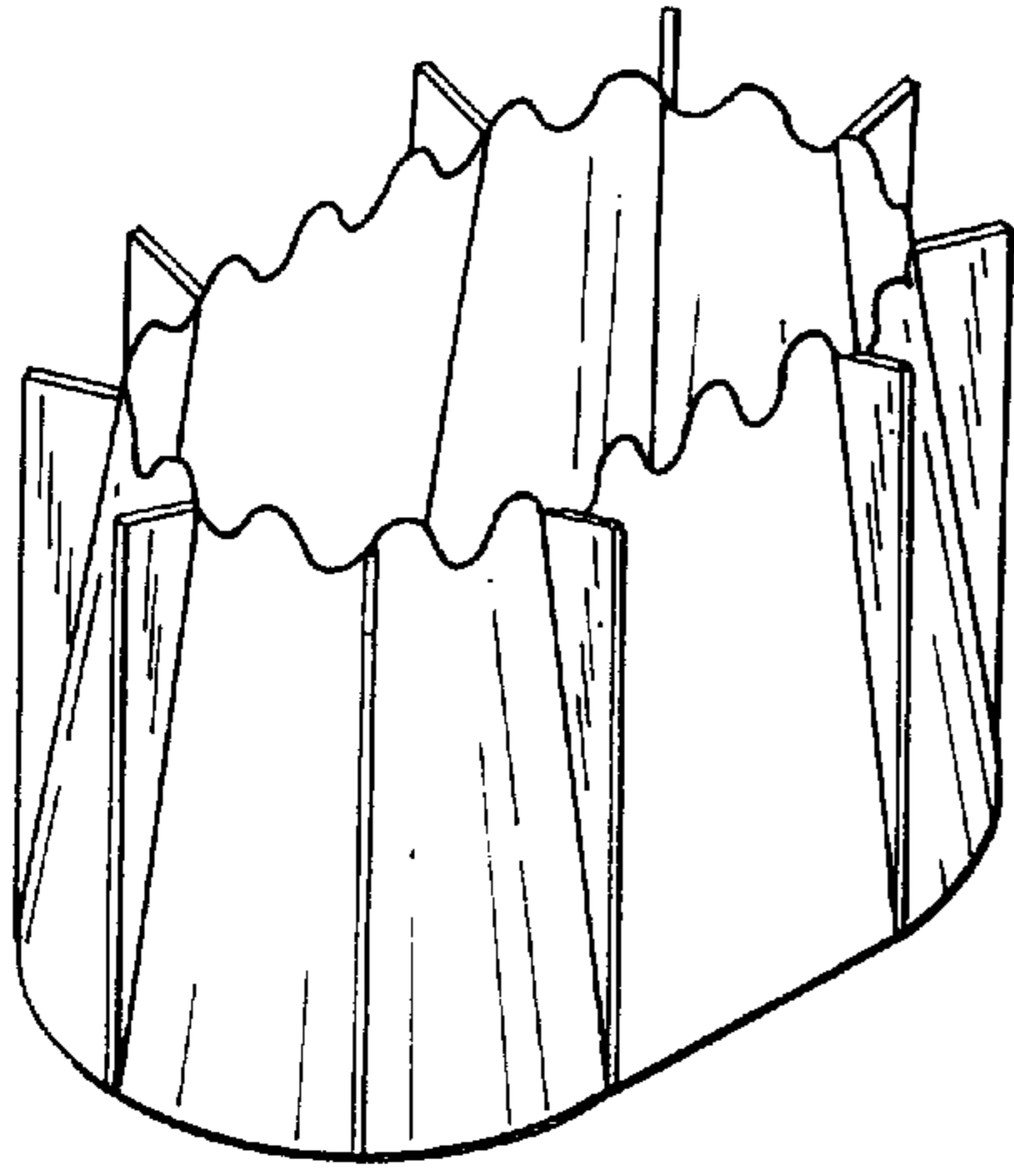


FIG. 41

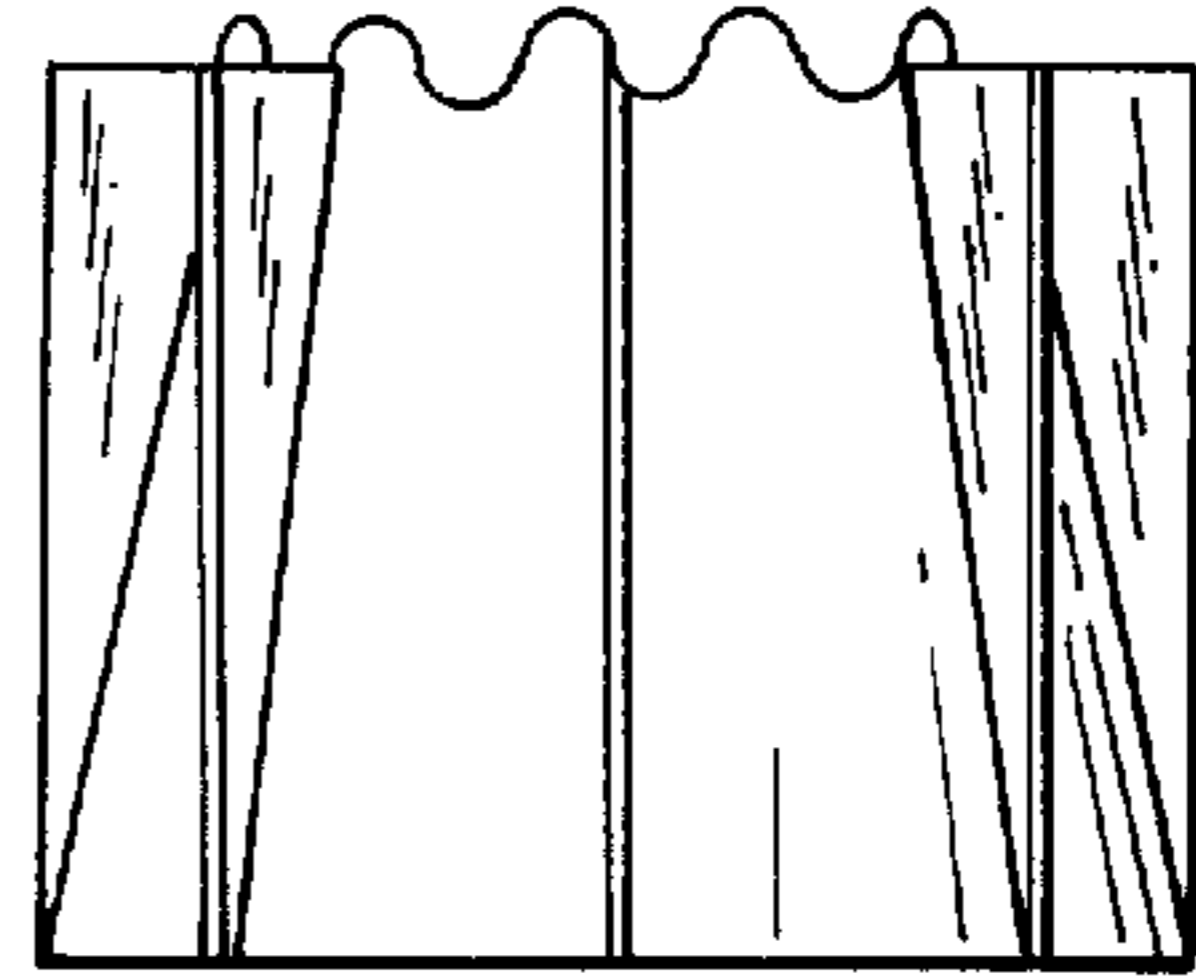


FIG. 42

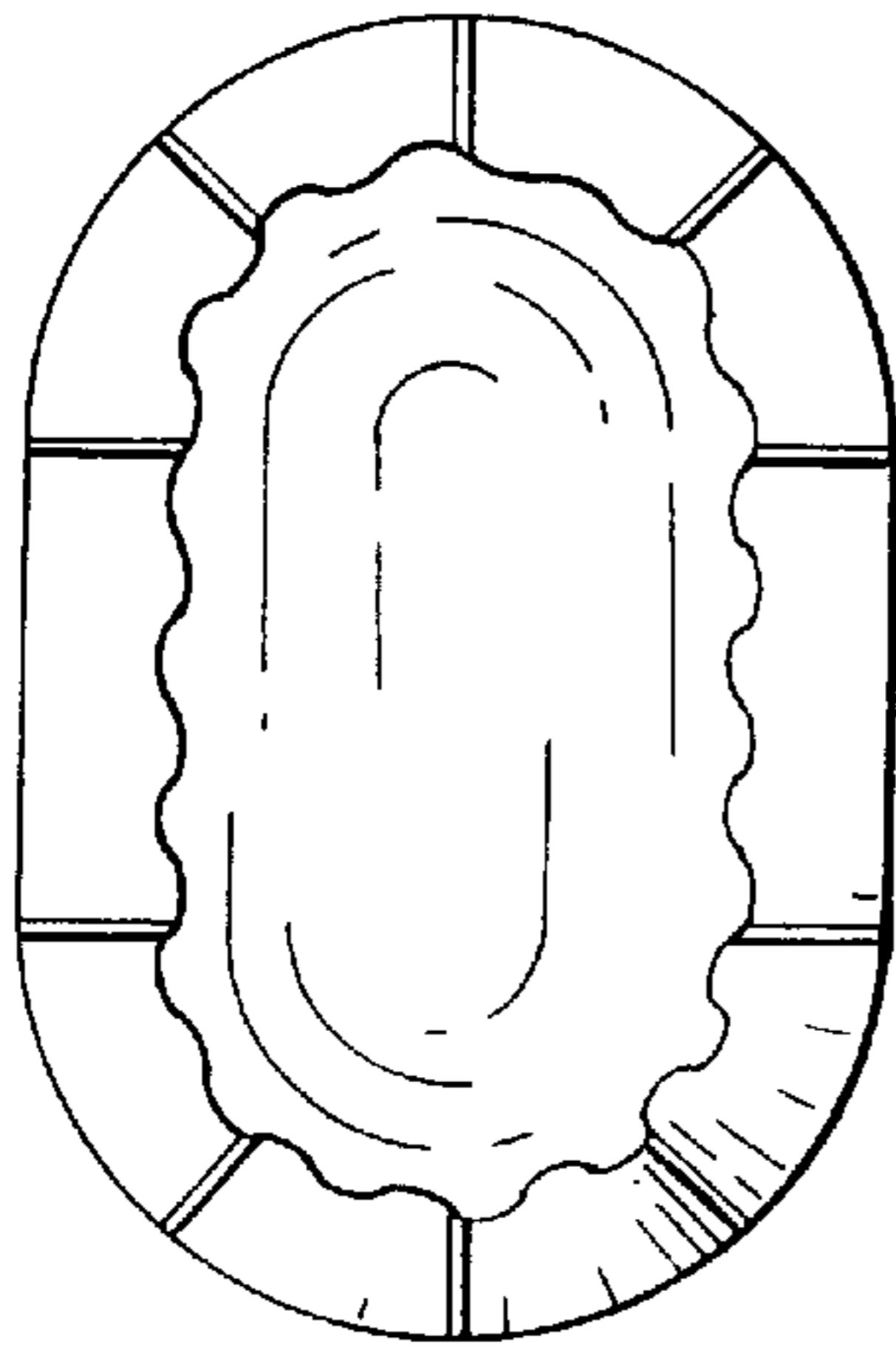


FIG. 43

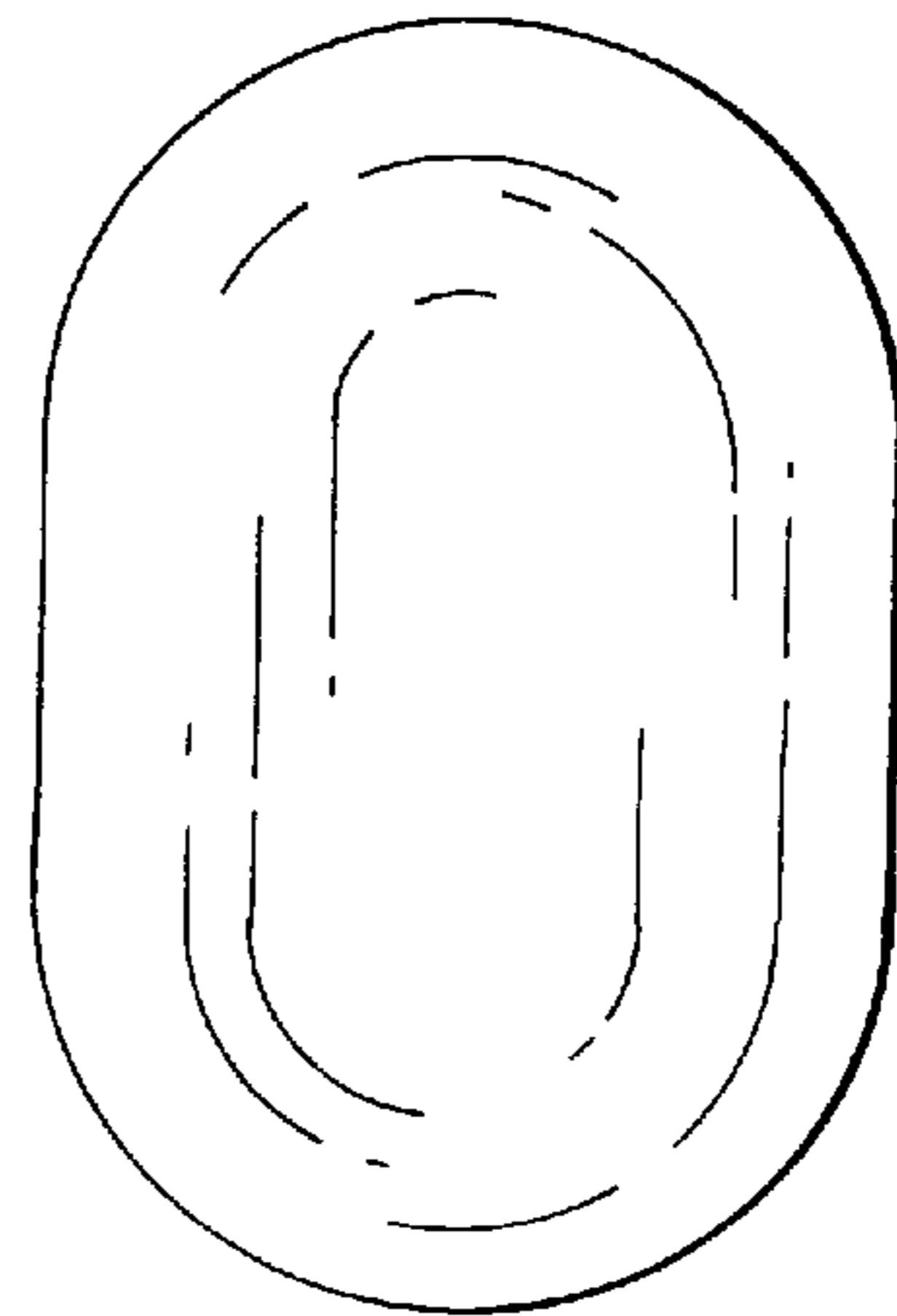


FIG. 44

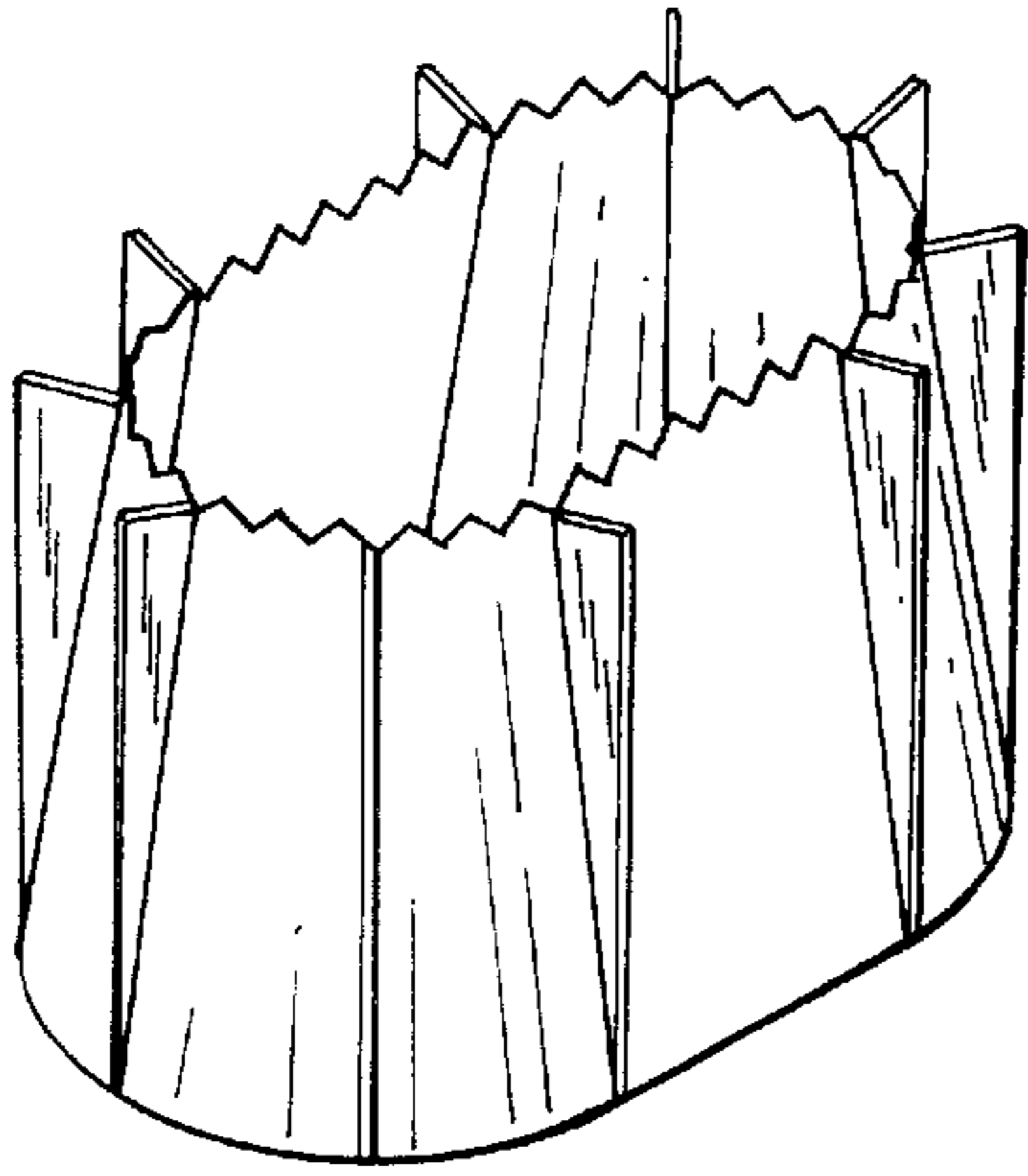


FIG. 45

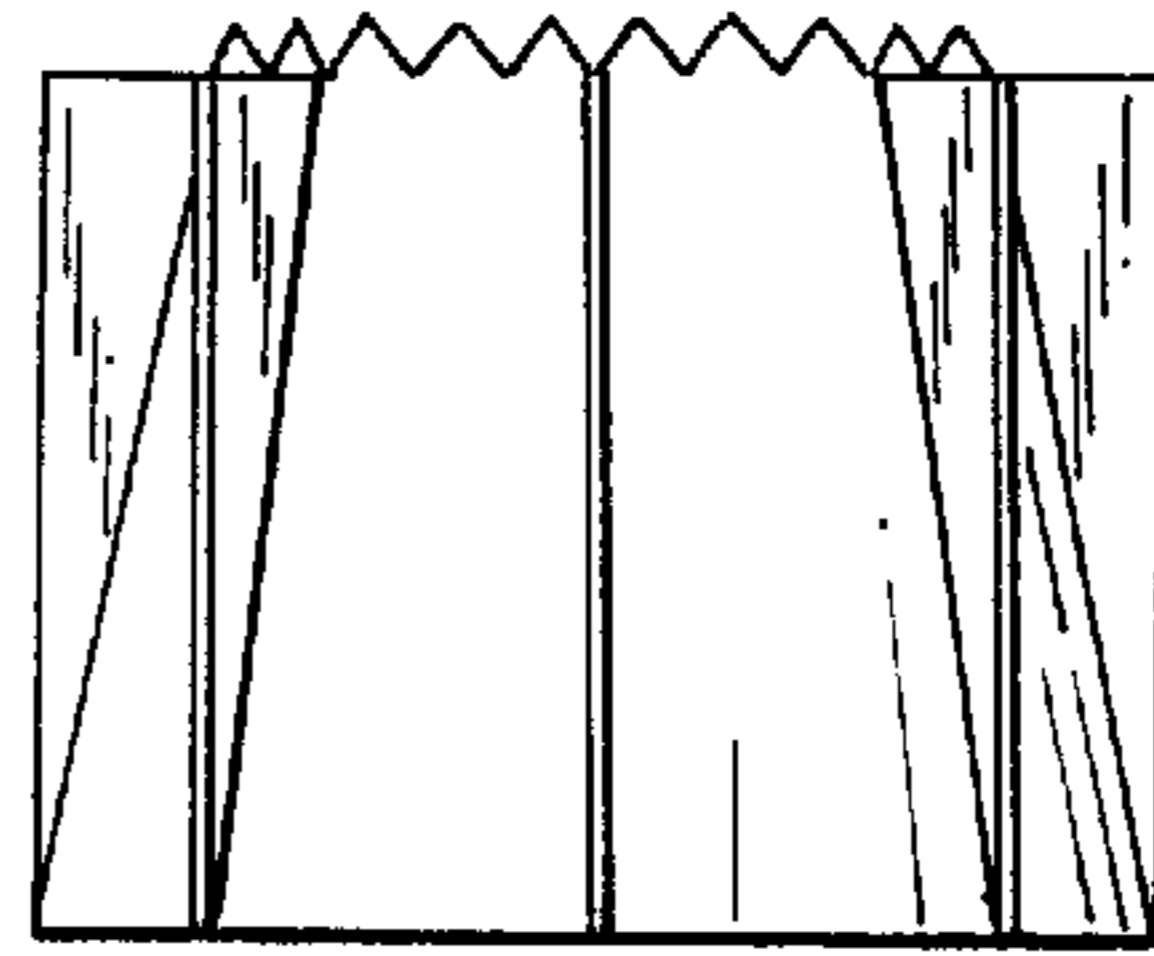


FIG. 46

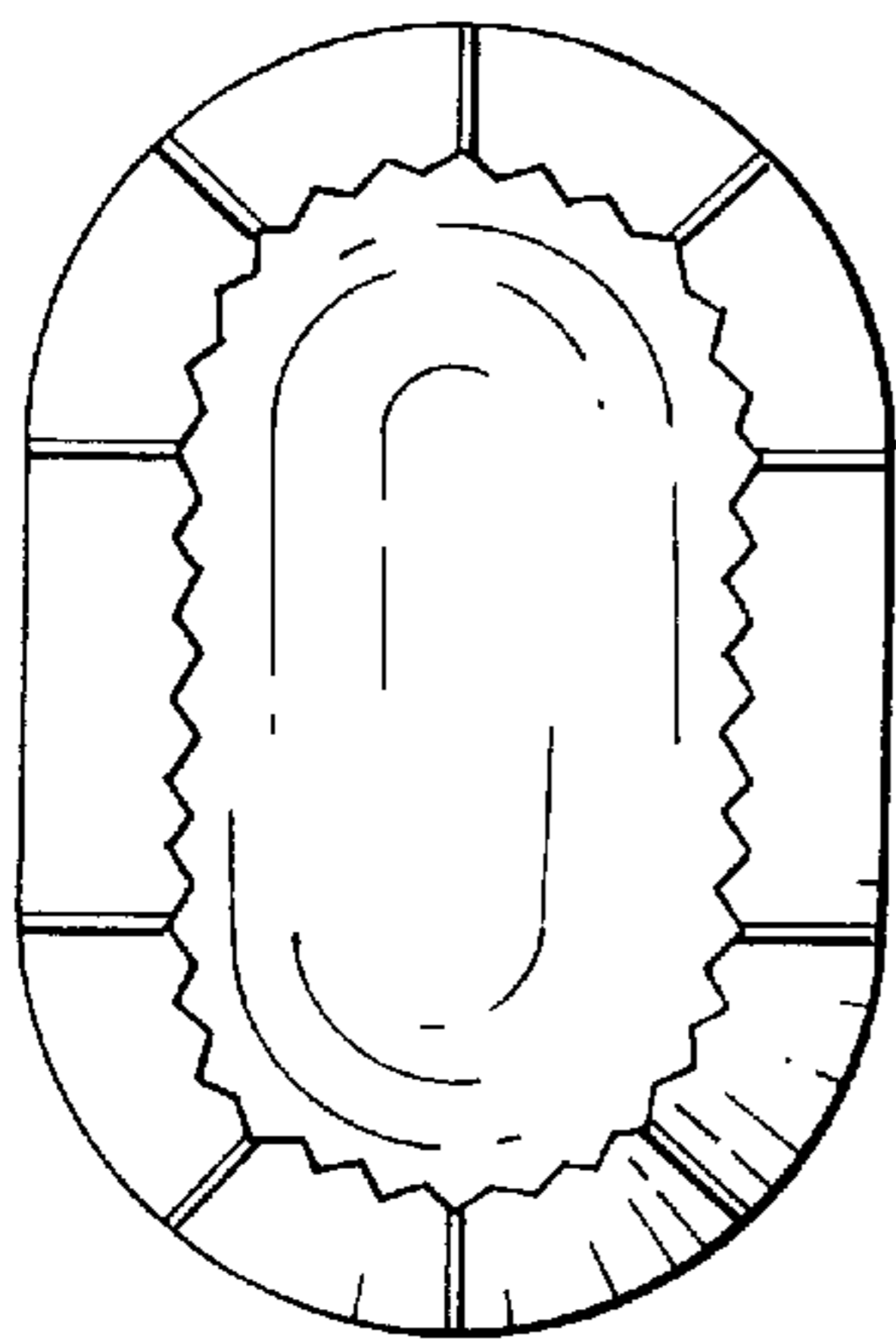


FIG. 47

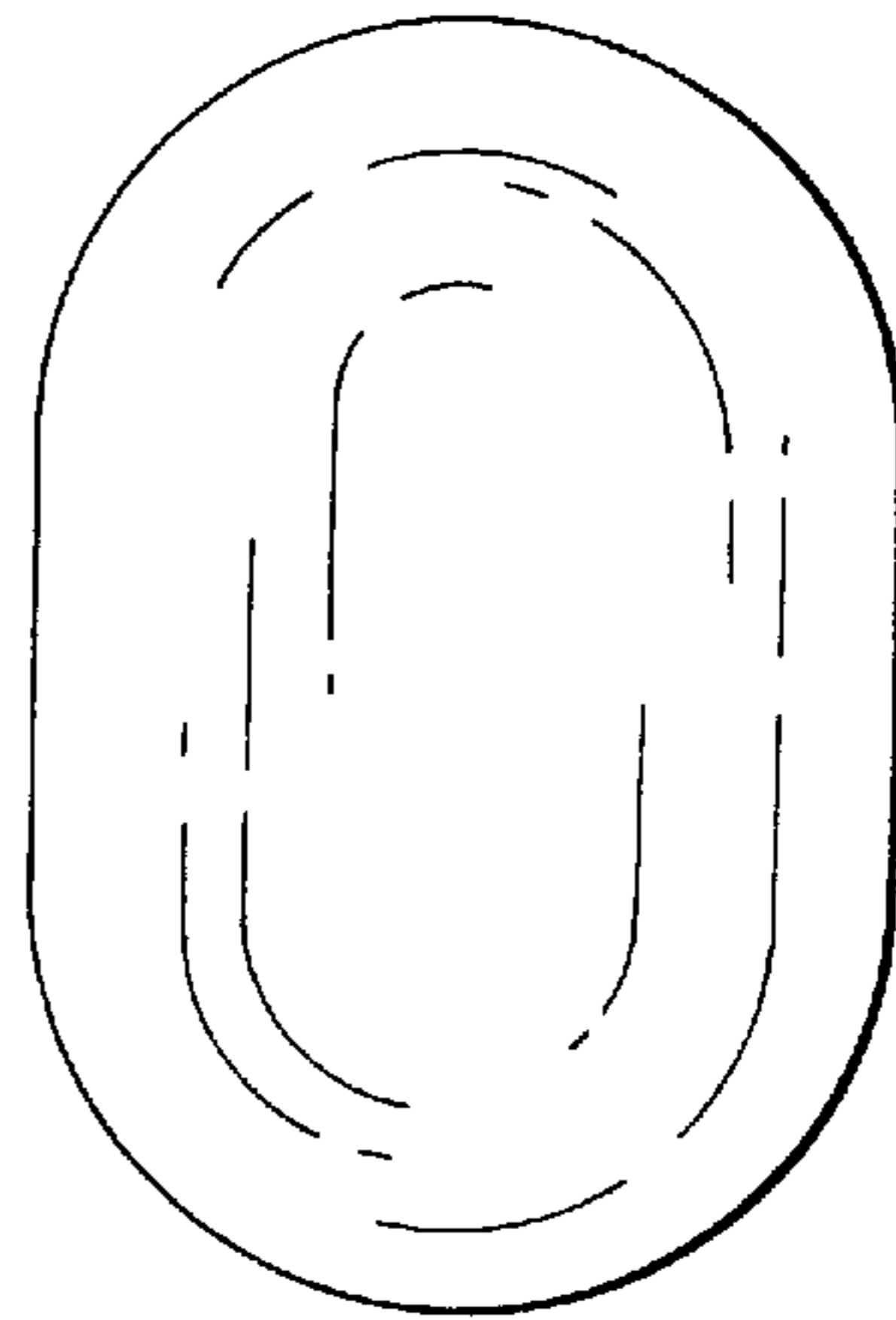


FIG. 48