



US00D401525S

United States Patent [19]

Sone et al.

[11] Patent Number: **Des. 401,525**

[45] Date of Patent: ****Nov. 24, 1998**

[54] **ELECTRONIC SOUNDER**

[75] Inventors: **Takahiro Sone; Yoshio Imahori; Katsuyuki Sano; Tomonari Suzuki**, all of Shizuoka, Japan

[73] Assignee: **Star Micronics Co., Ltd.**, Shizuoka-ken, Japan

[**] Term: **14 Years**

[21] Appl. No.: **82,995**

[22] Filed: **Feb. 3, 1998**

[30] **Foreign Application Priority Data**

Aug. 8, 1997 [JP] Japan 9-64363

[51] **LOC (6) Cl.** **10-05**

[52] **U.S. Cl.** **D10/116**

[58] **Field of Search** D10/104, 106, D10/116, 119, 121; 340/384.1, 384.3, 384.7, 388.1, 390.1, 391.1, 392.1, 392.2, 392.4

[56] **References Cited**

U.S. PATENT DOCUMENTS

D. 254,731 4/1980 Mitumori D10/116

D. 370,862 6/1996 John-Hurlow D10/116
D. 373,546 9/1996 Imakori D10/116
D. 375,275 11/1996 Suzuki D10/116

Primary Examiner—Marcus A. Jackson
Attorney, Agent, or Firm—Pollock, Vande Sande & Priddy

[57] **CLAIM**

The ornamental design for an electronic sounder, as shown and described.

DESCRIPTION

FIG. 1 is a perspective view of an electronic sounder showing my new design; FIG. 2 is a front elevational view thereof; FIG. 3 is a rear elevational view thereof; FIG. 4 is a top plan view thereof; FIG. 5 is a bottom plan view thereof; FIG. 6 is a right side elevational view thereof (of which a left side elevational view would be the same as the right side elevational view); FIG. 7 is a cross-sectional view thereof taken on line 7—7 of FIG. 2, an internal mechanism of which is not shown; and, FIG. 8 is a cross-sectional view thereof taken on line 8—8 of FIG. 4.

1 Claim, 5 Drawing Sheets

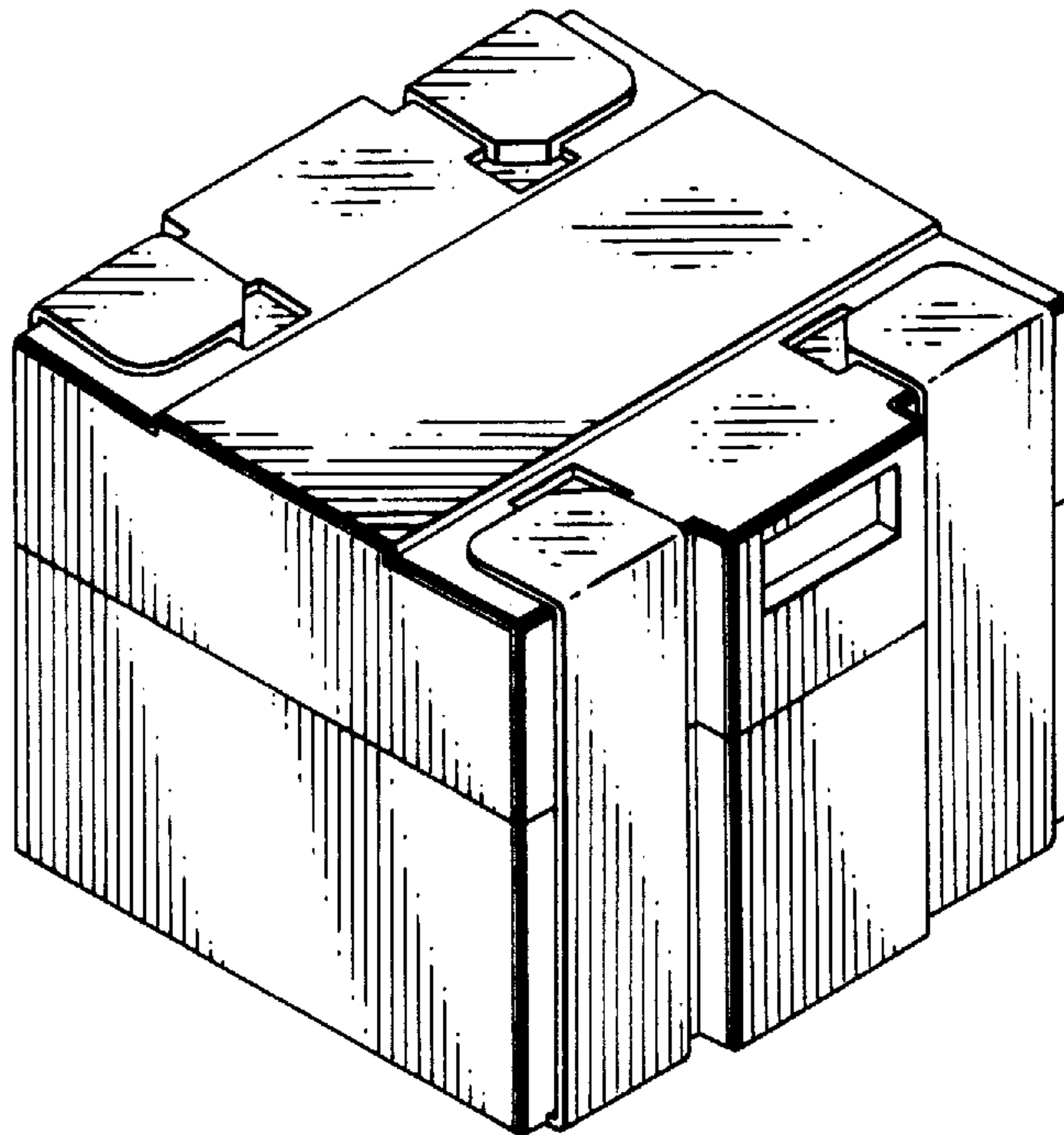


FIG. 1

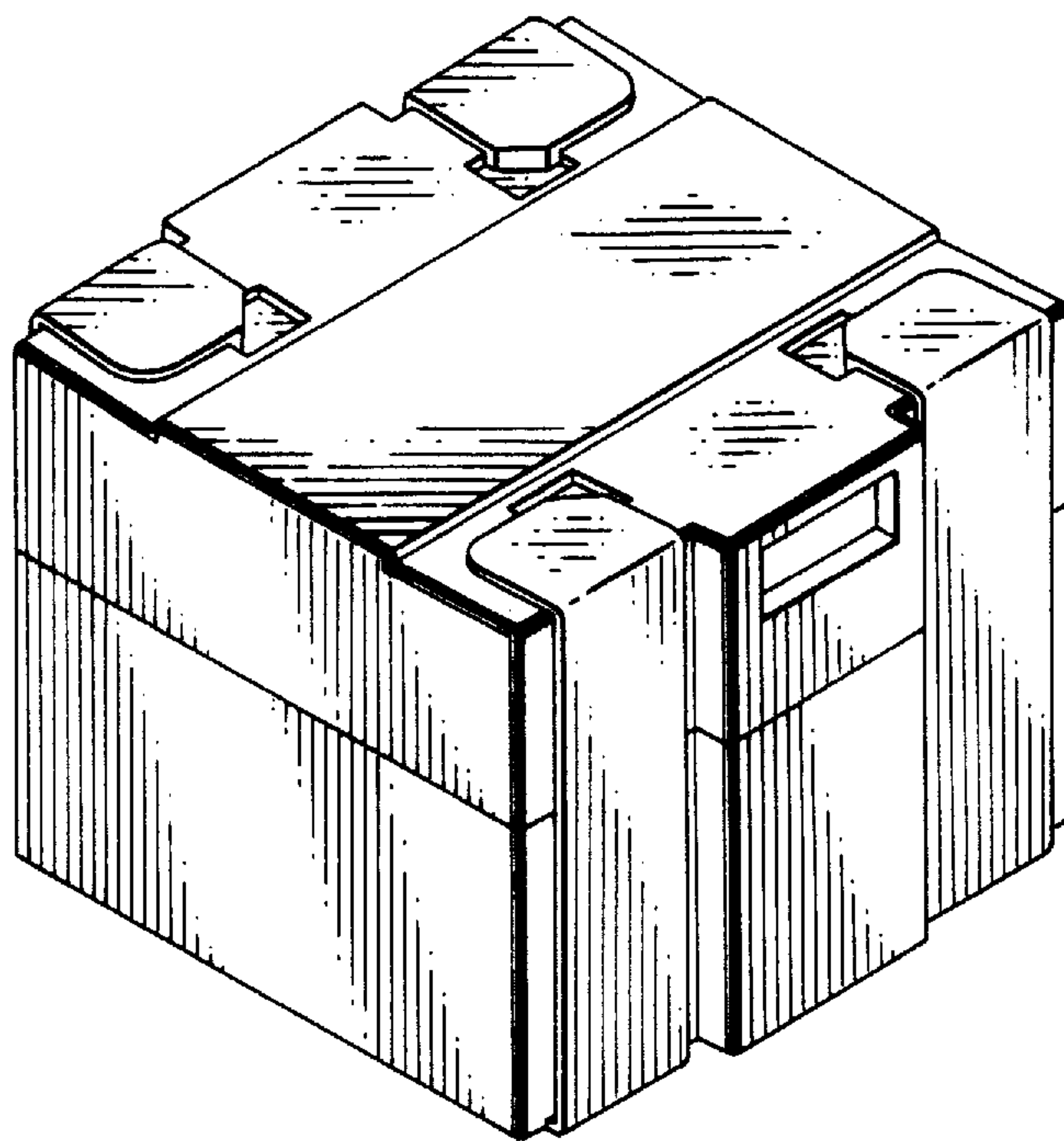


FIG. 2

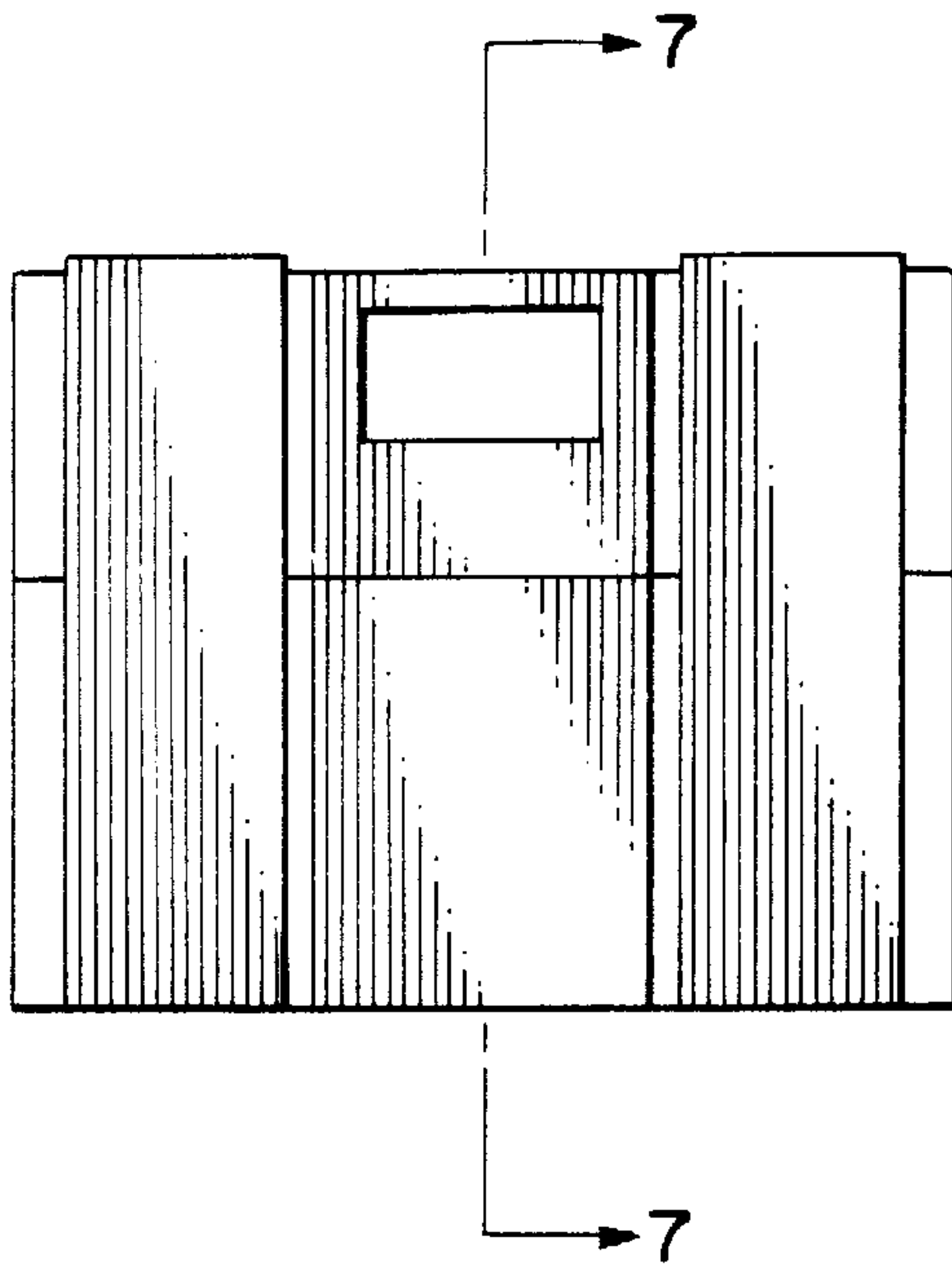


FIG. 3

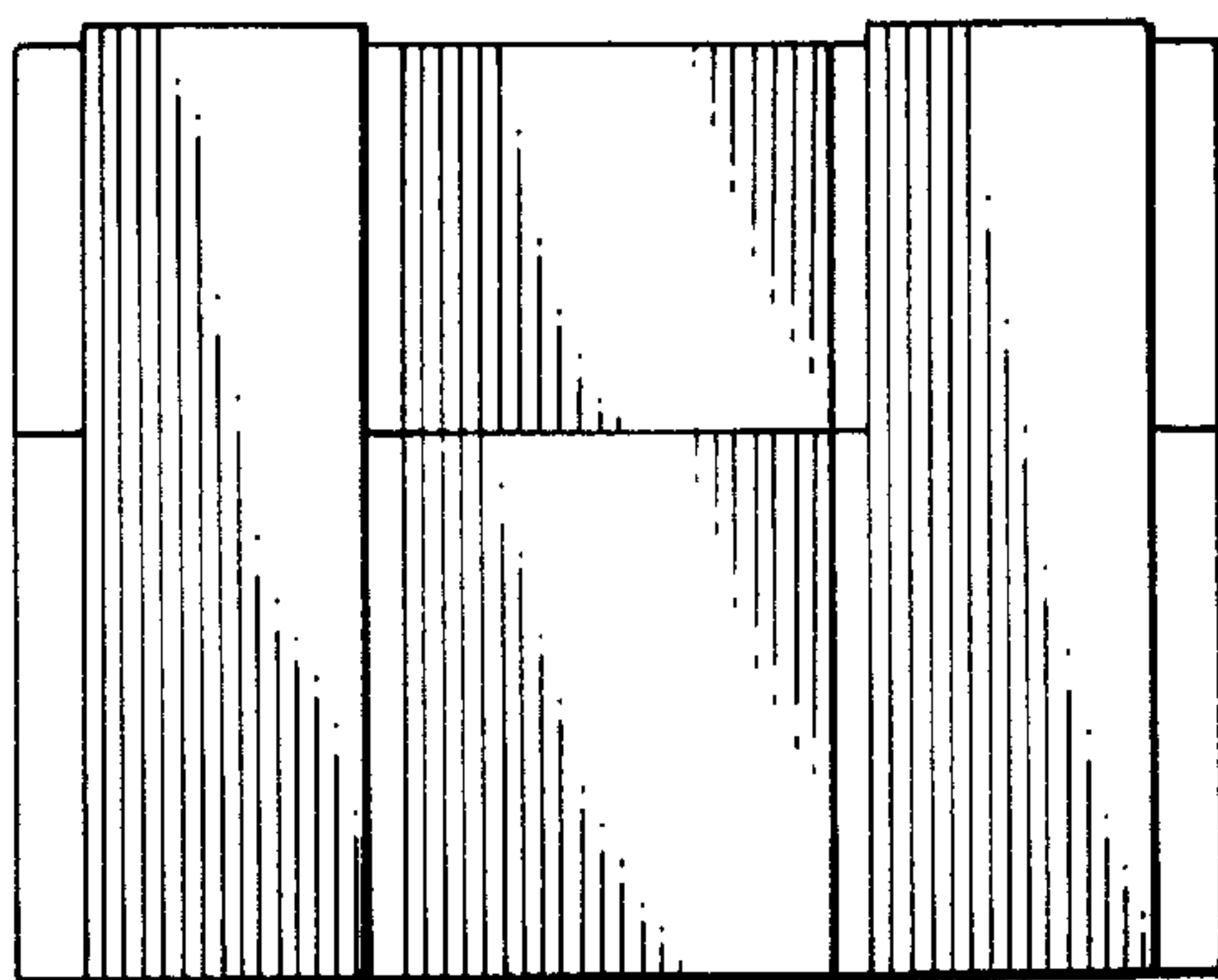


FIG. 4

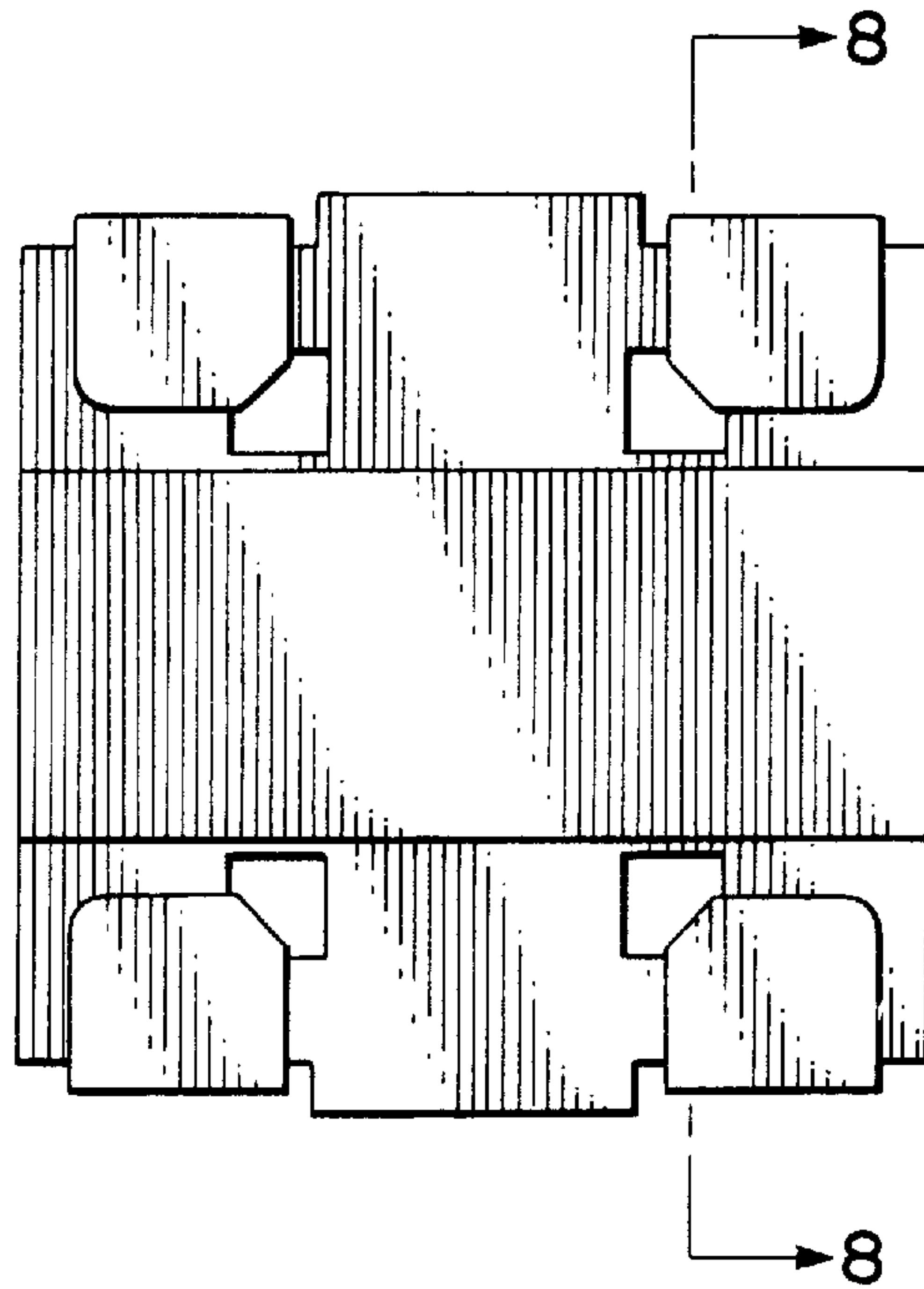


FIG. 5

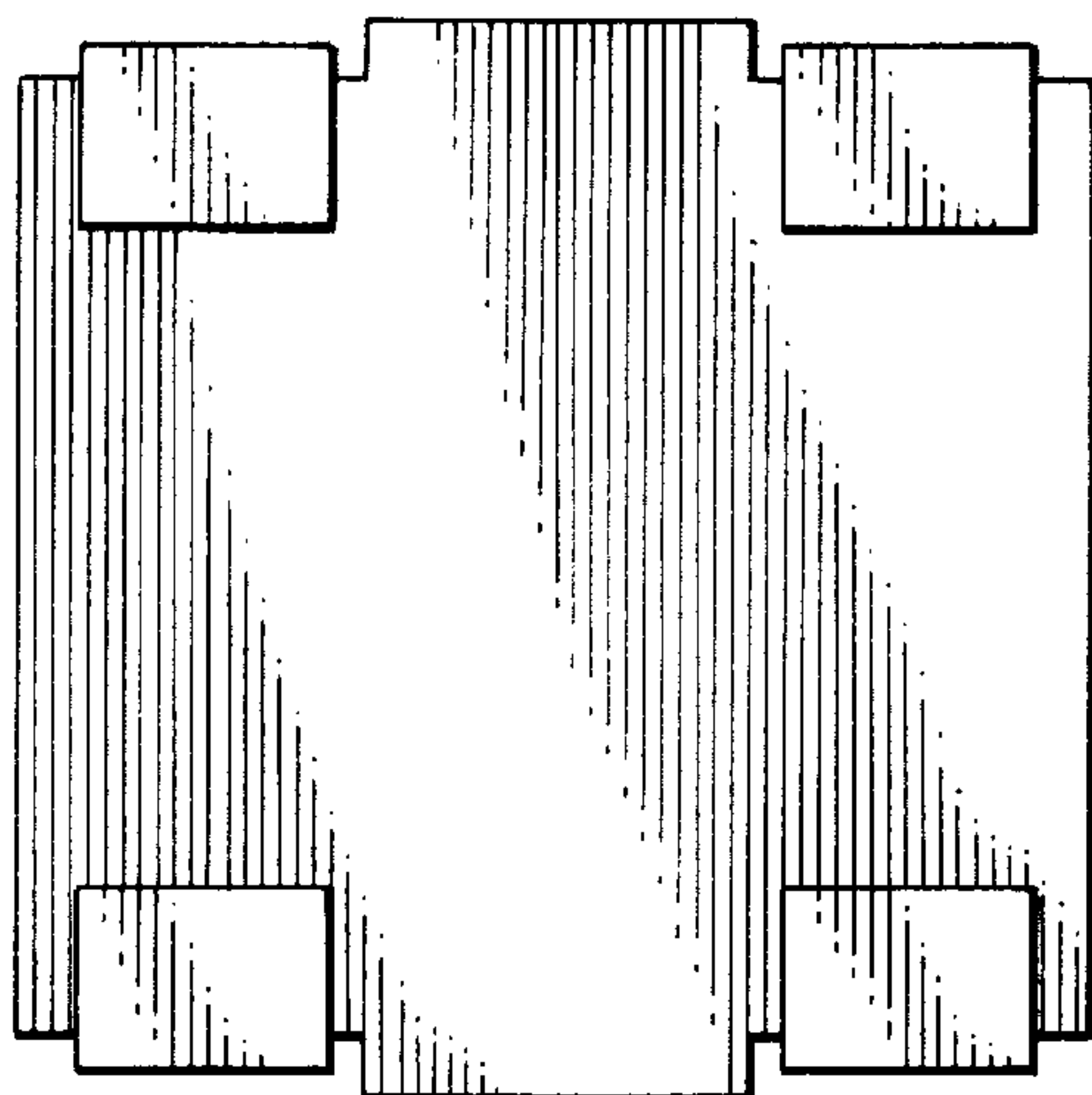


FIG. 6

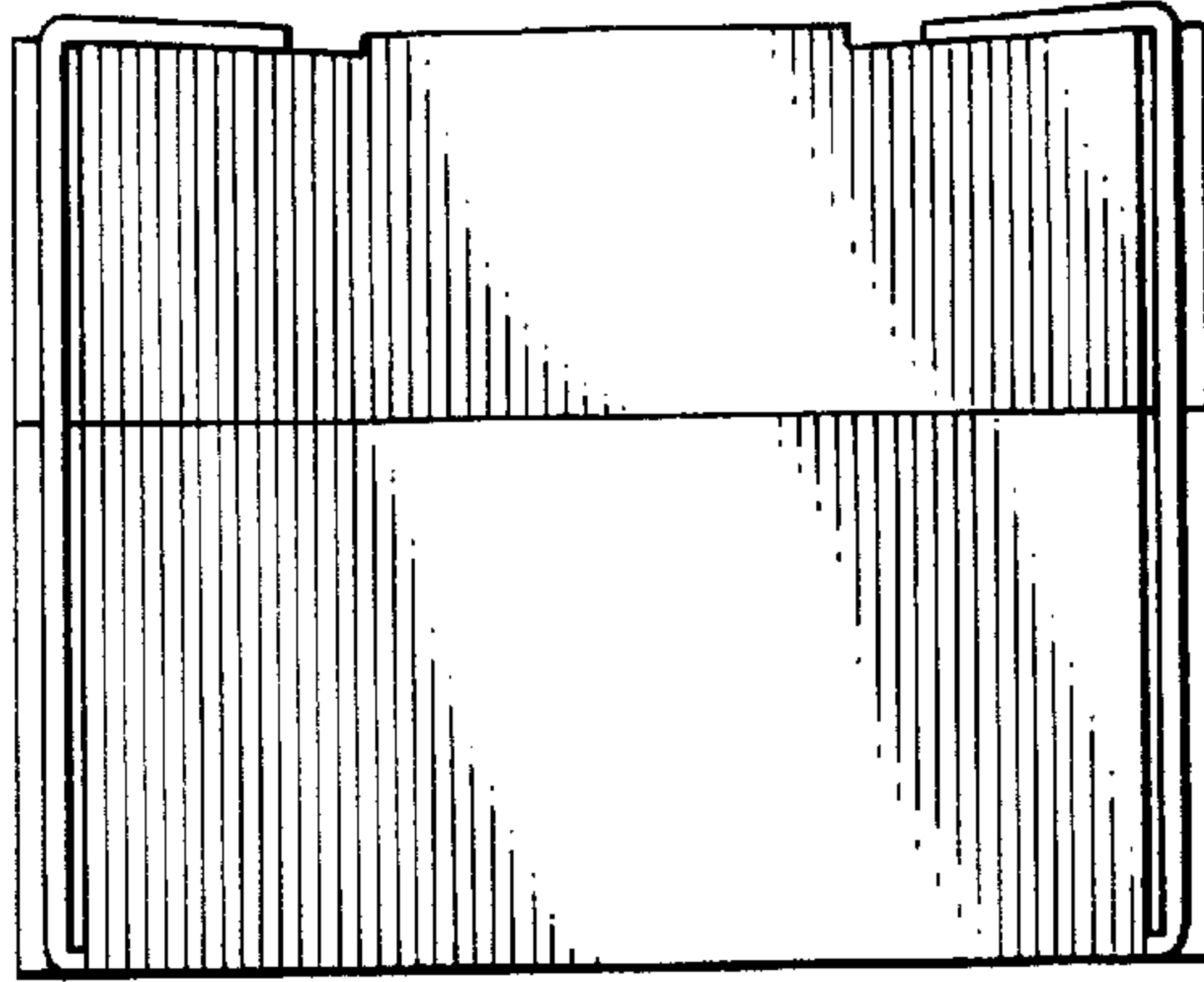


FIG. 7

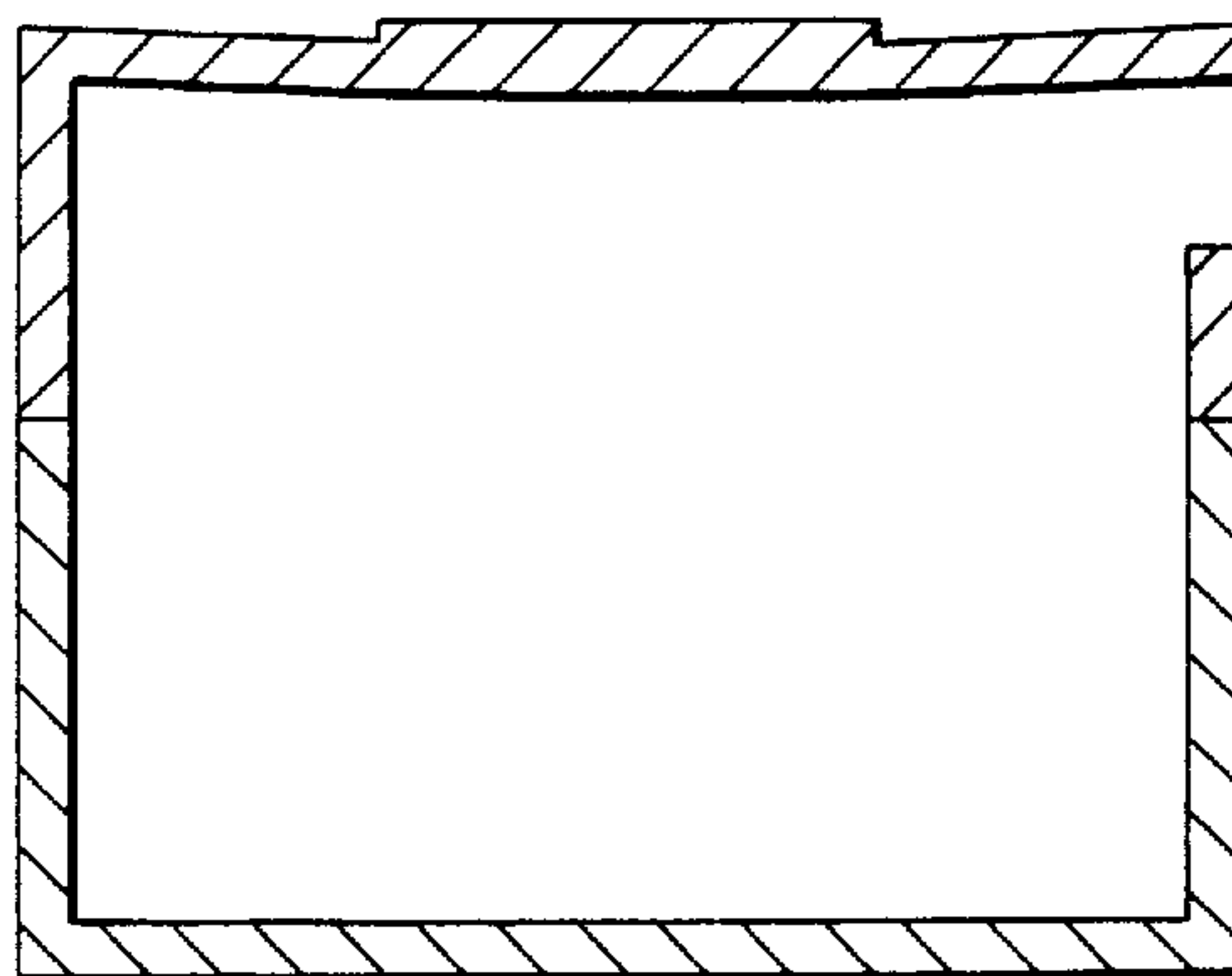


FIG. 8

