



US00D401524S

United States Patent [19]
Hörmann

[11] **Patent Number: Des. 401,524**

[45] **Date of Patent: **Nov. 24, 1998**

[54] **ELECTRONIC BARRIER AND PHOTO-ELECTRIC SENSOR EYE**
[75] Inventor: **Michael Hörmann**, Halle in Westfalen, Germany
[73] Assignee: **Marantec Antriebs-und Steuerungstechnik GmbH & Co. Produktions KG**, Marienfeld, Germany
[**] Term: **14 Years**

2,874,493 2/1959 Mandel D10/109
3,394,498 7/1968 Reinitz et al. D10/109

Primary Examiner—Marcus A. Jackson
Attorney, Agent, or Firm—Evenson, McKeown, Edwards & Lenahan, P.L.L.C.

[21] Appl. No.: **75,489**
[22] Filed: **Aug. 15, 1997**
[51] **LOC (6) Cl. 10-05**
[52] **U.S. Cl. D10/113; D10/104; D10/109**
[58] **Field of Search D10/104, 109, D10/113, 116, 121; 116/63 C, 63 P, 63 R; 404/6-16**

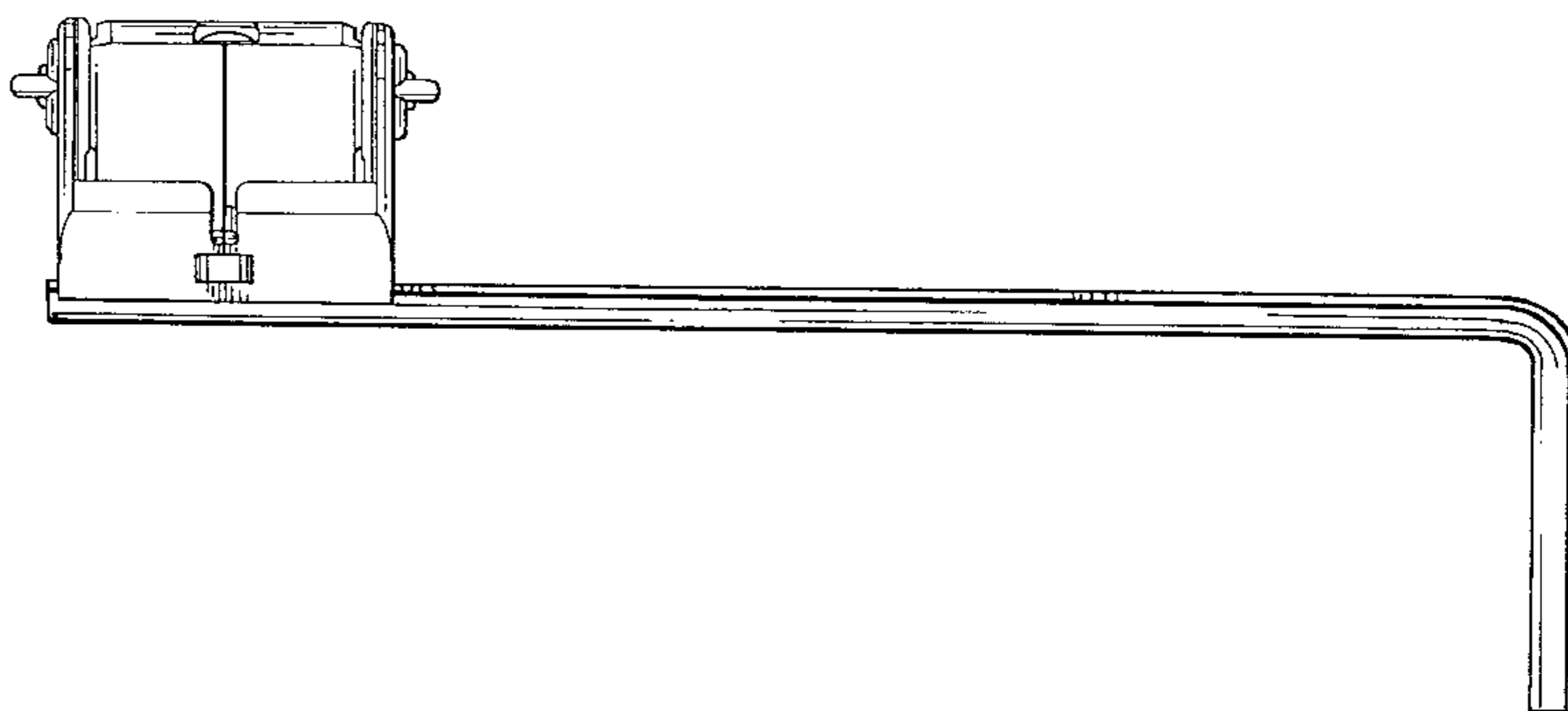
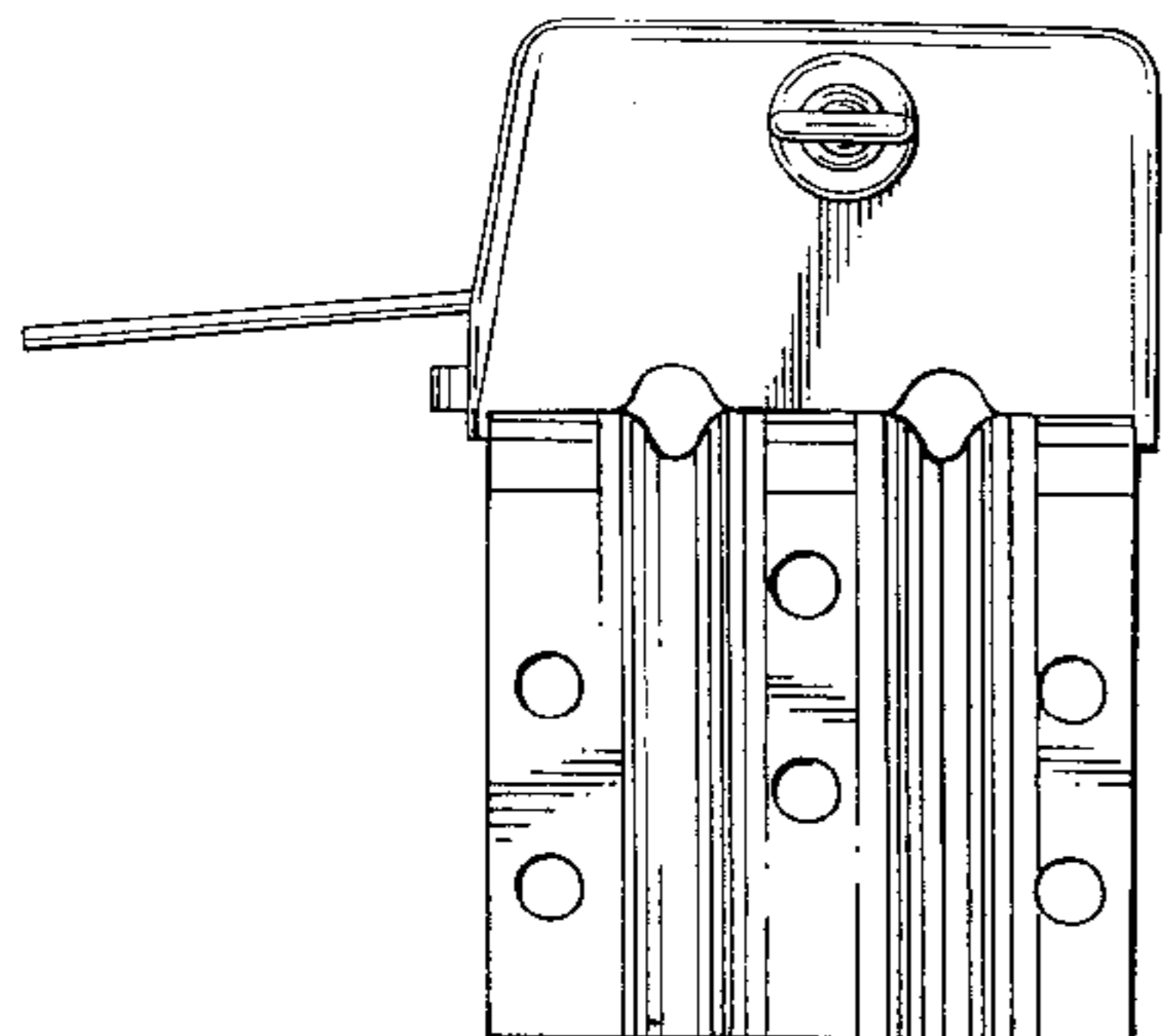
[57] **CLAIM**
The ornamental design for an electronic barrier and photo-electric sensor eye, as shown and described.

DESCRIPTION

FIG. 1 is a top plan view of an electronic barrier and photo-electric sensor eye, according to my invention; FIG. 2 is a left side elevational view thereof; FIG. 3 is a right side elevational view thereof; FIG. 4 is a front elevational view thereof; FIG. 5 is a rear elevational view thereof; FIG. 6 is a bottom plan view thereof; FIG. 7 is a top plan view of the photo-electric sensor eye; FIG. 8 is a left side elevational view thereof; FIG. 9 is a right side elevational view thereof; FIG. 10 is a front elevational view thereof; FIG. 11 is a rear elevational view thereof; and, FIG. 12 is a bottom plan view thereof.

[56] **References Cited**
U.S. PATENT DOCUMENTS
D. 260,742 9/1981 Mihailoff D10/109
D. 265,468 7/1982 Yeager D10/109
D. 332,417 1/1993 Gardner D10/113

1 Claim, 4 Drawing Sheets



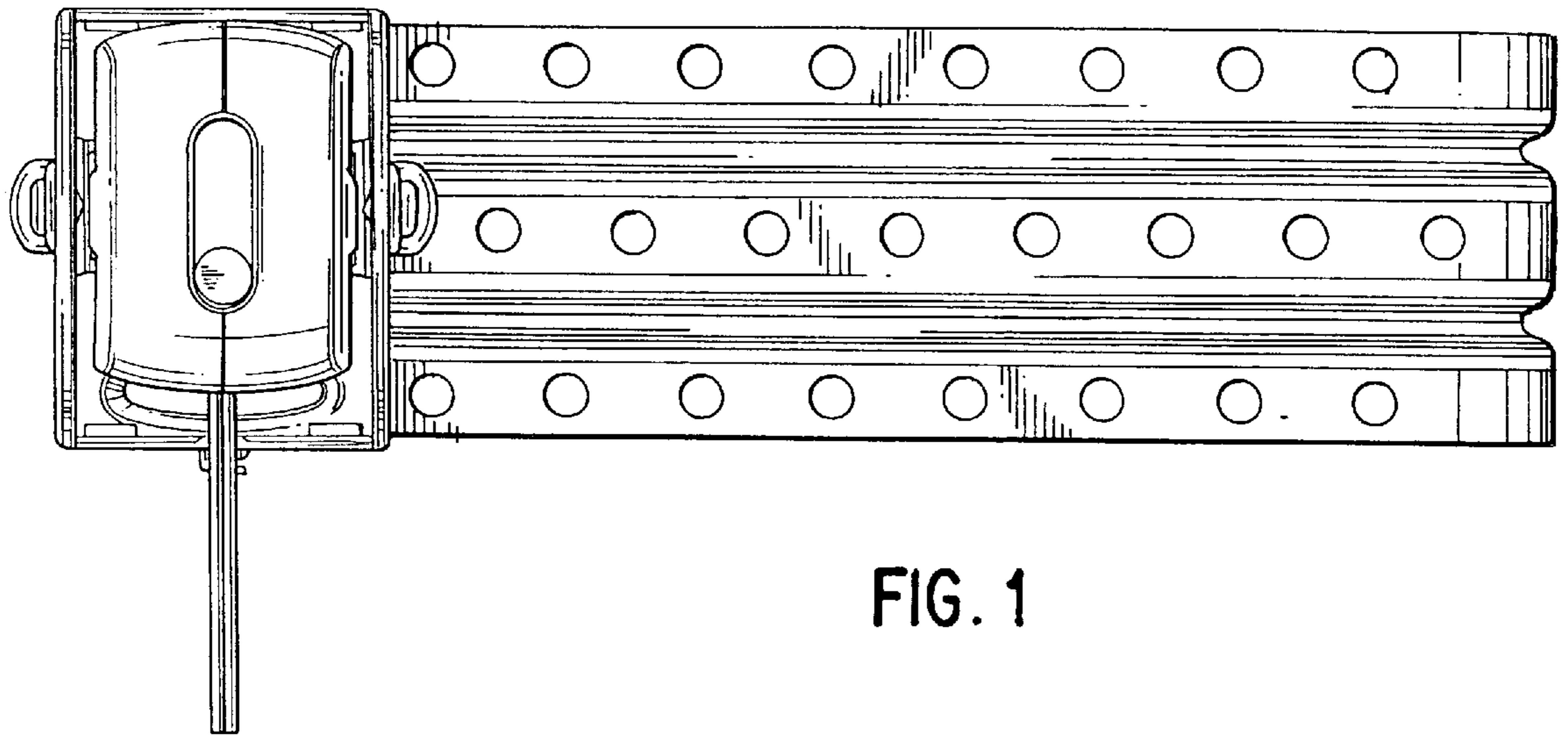


FIG. 1

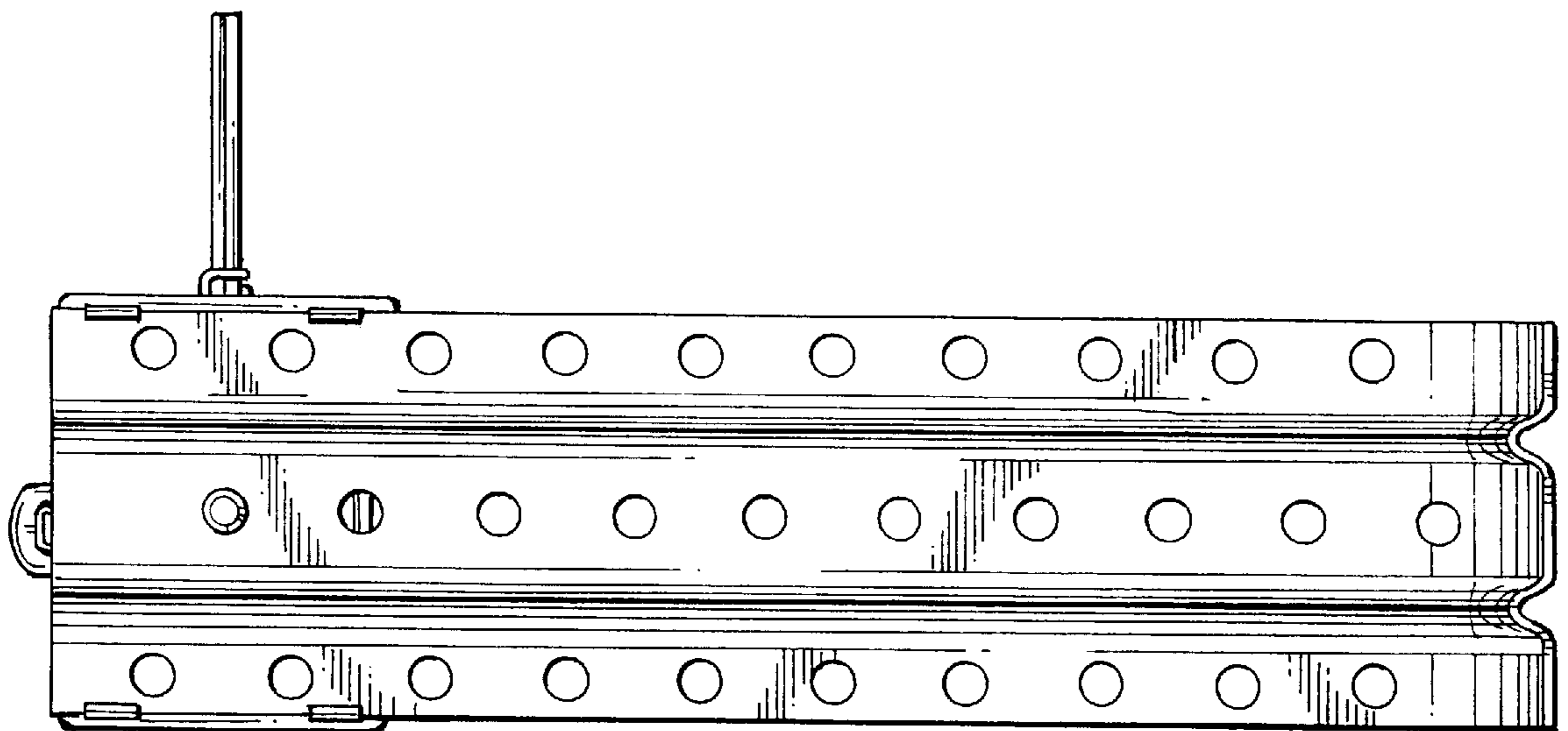


FIG. 6

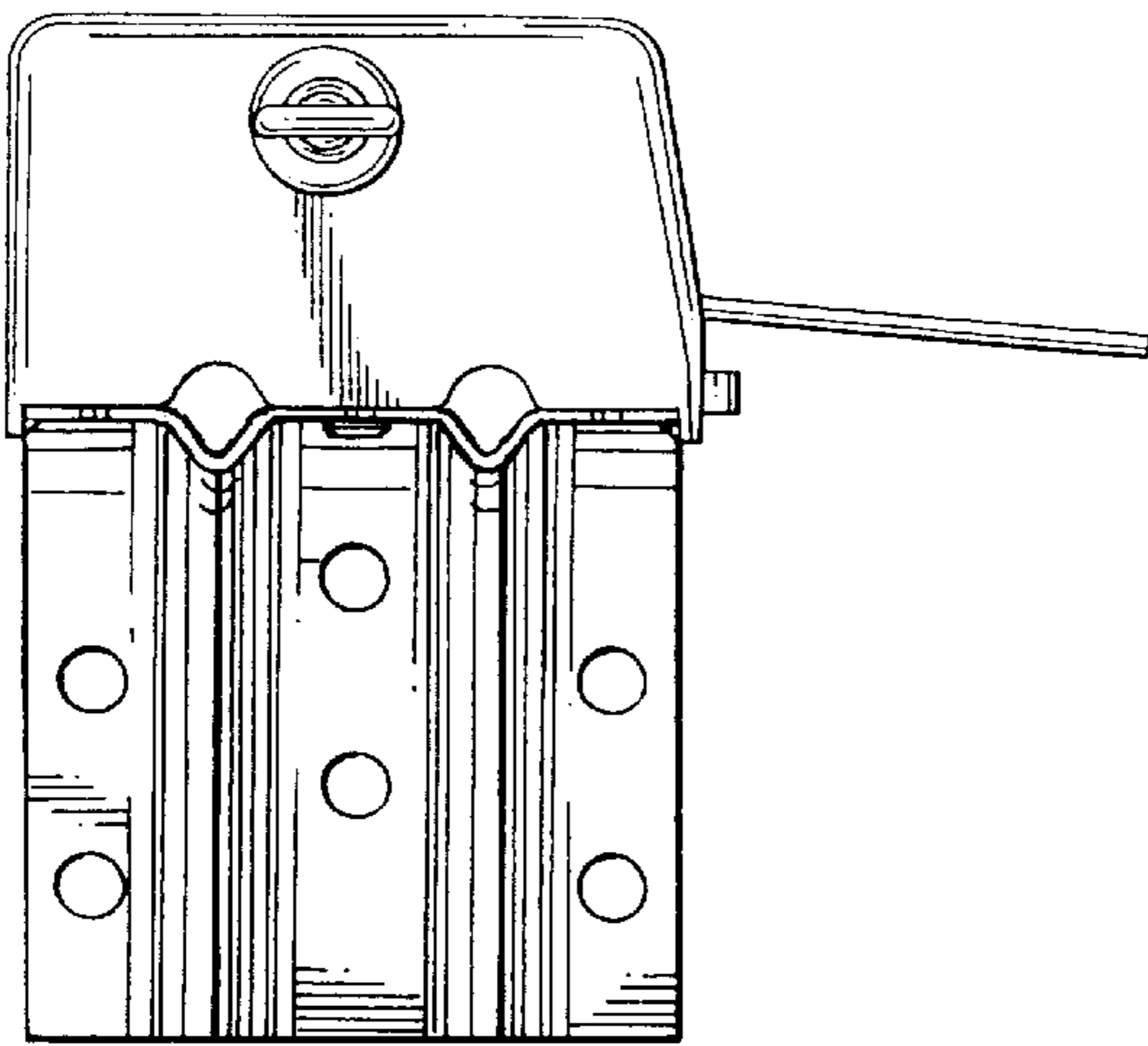


FIG. 2

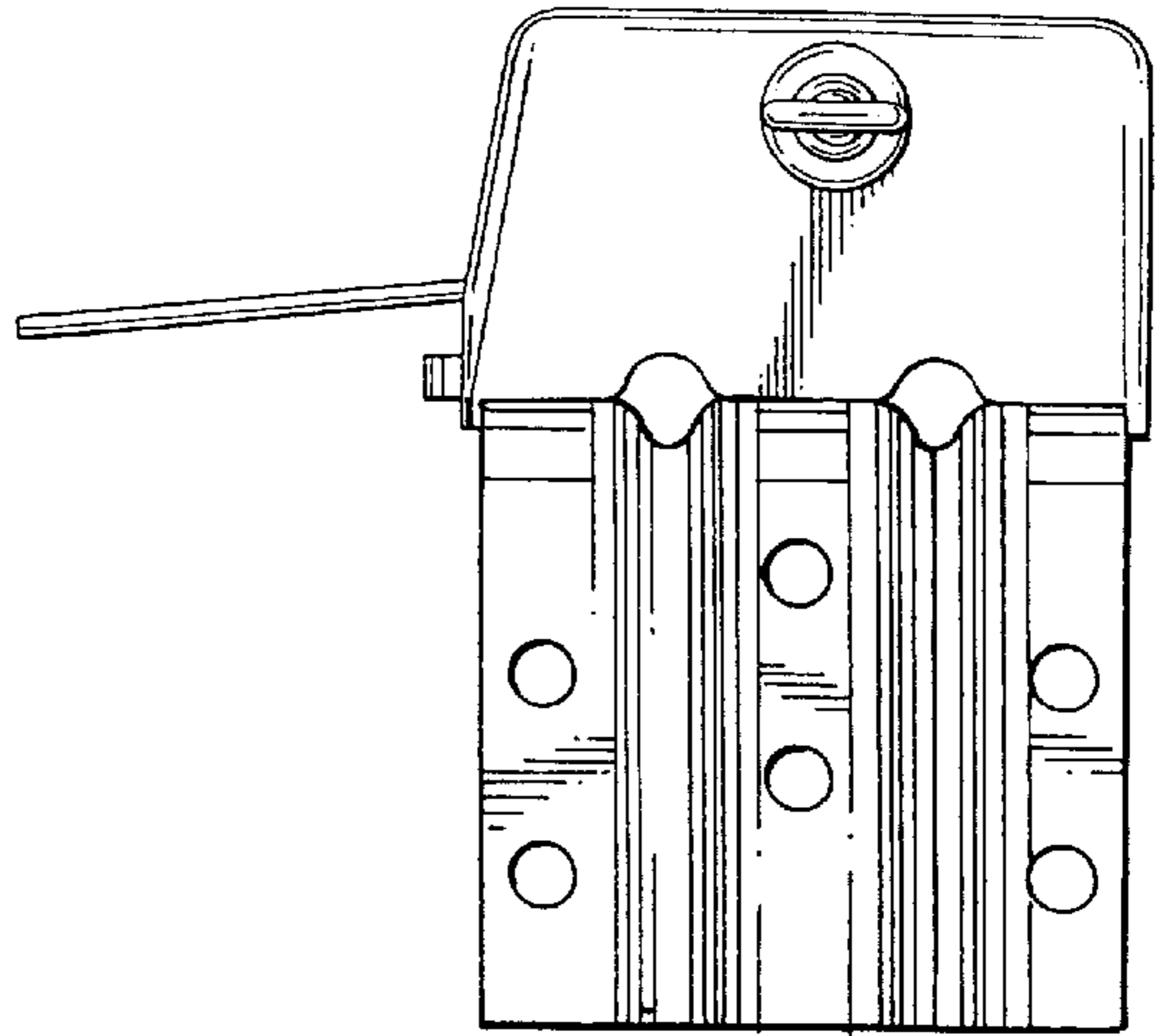


FIG. 3

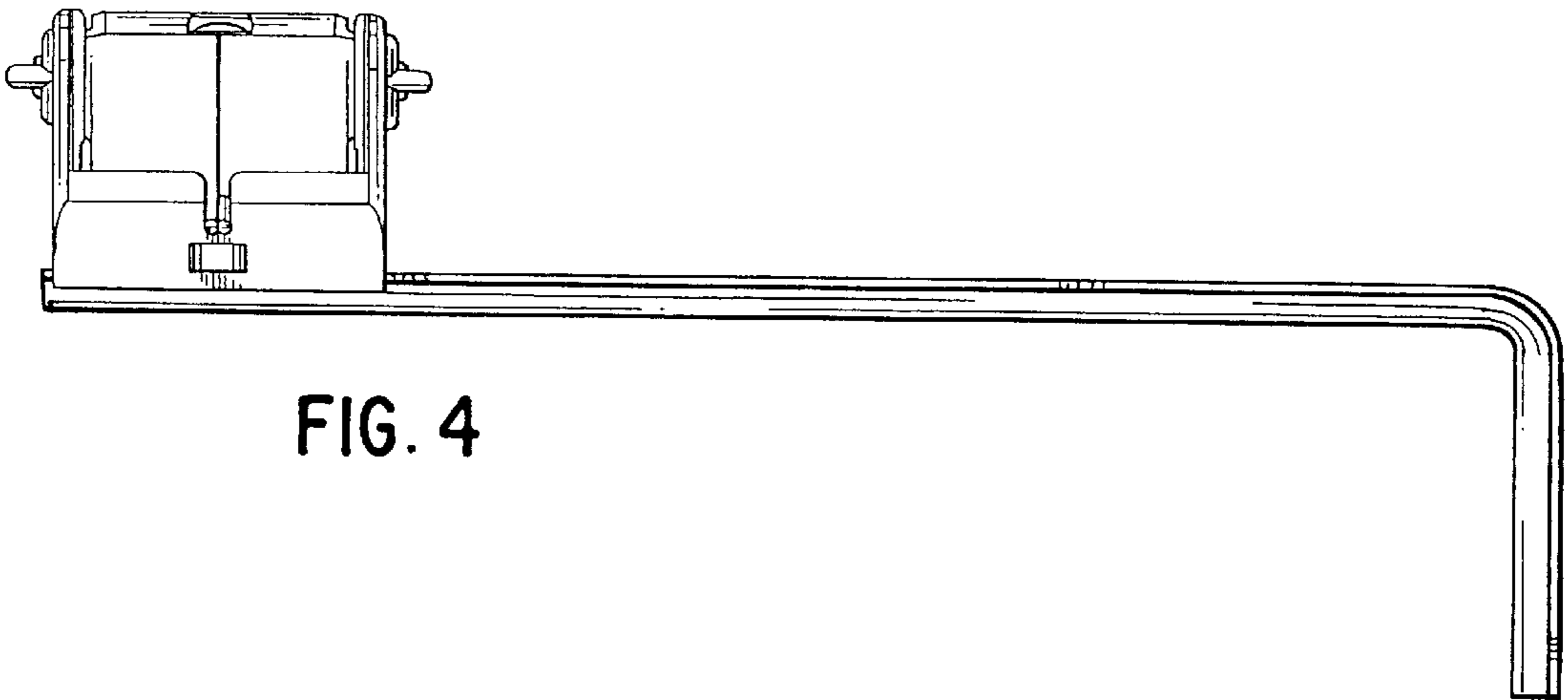


FIG. 4

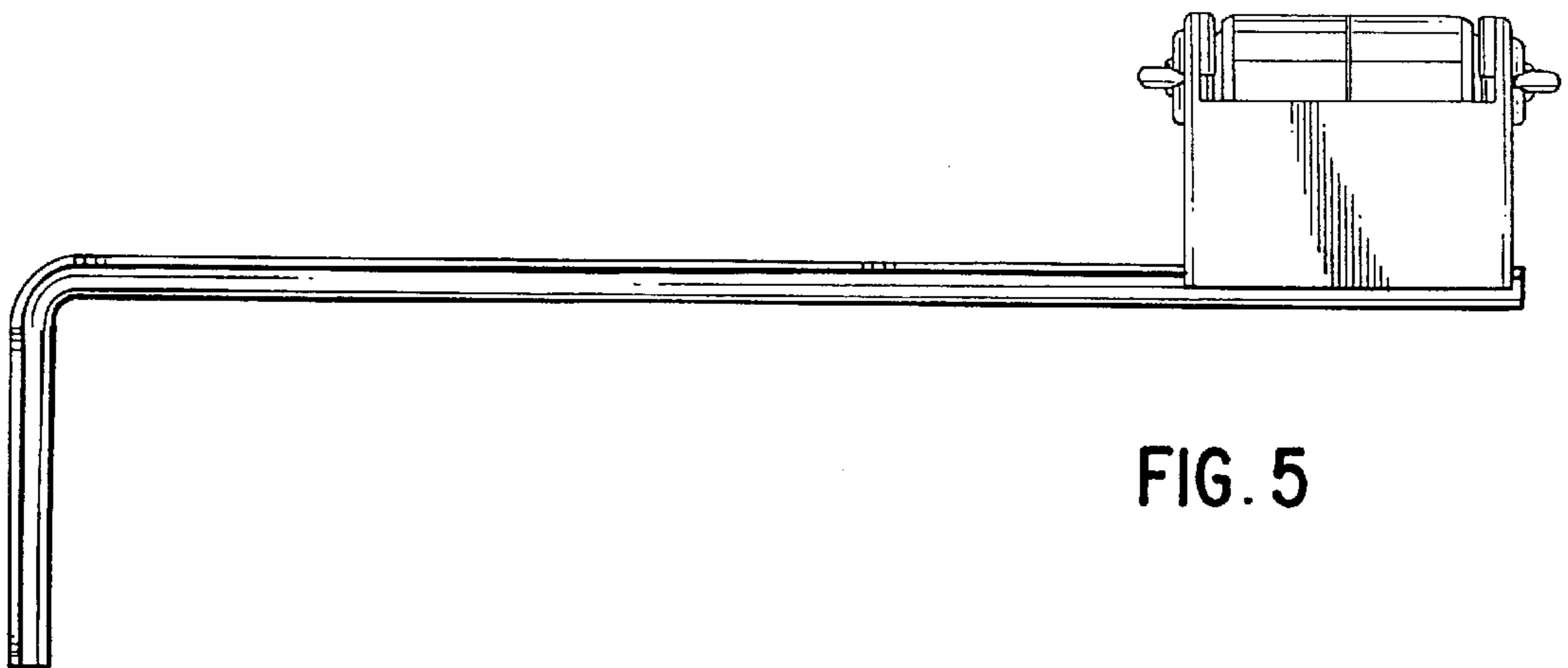


FIG. 5

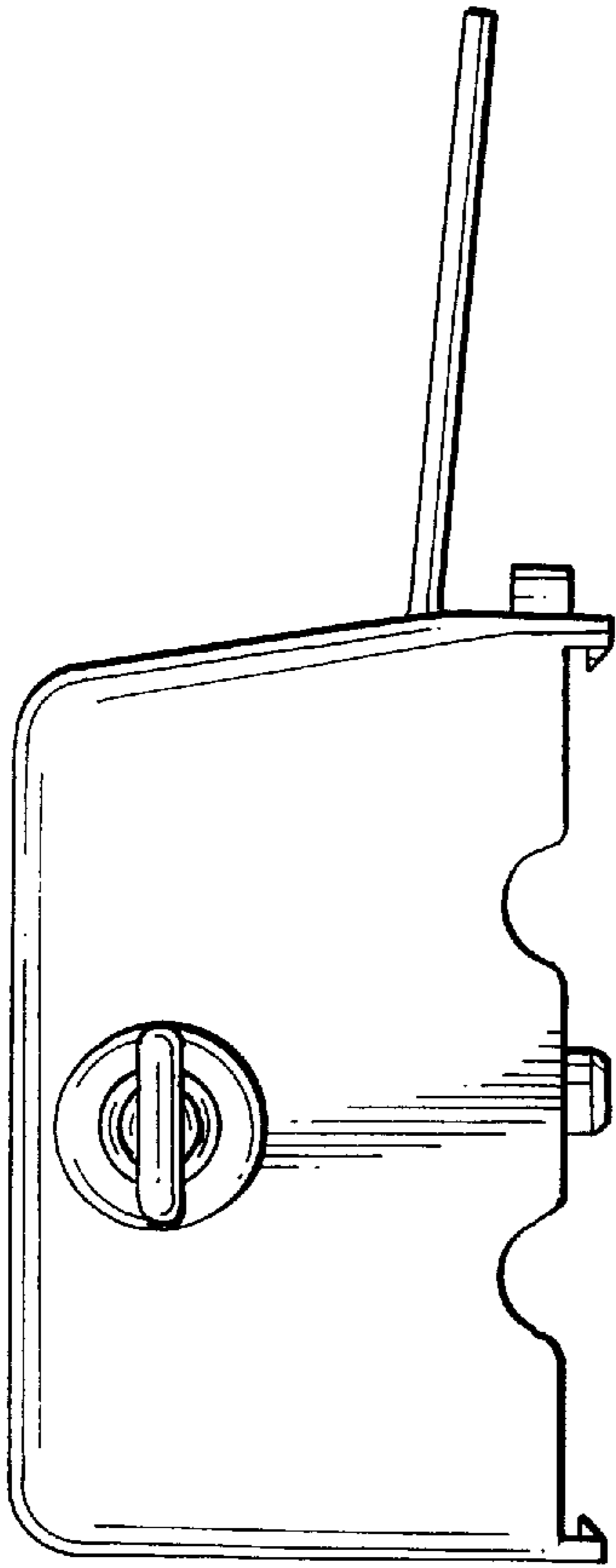


FIG. 8

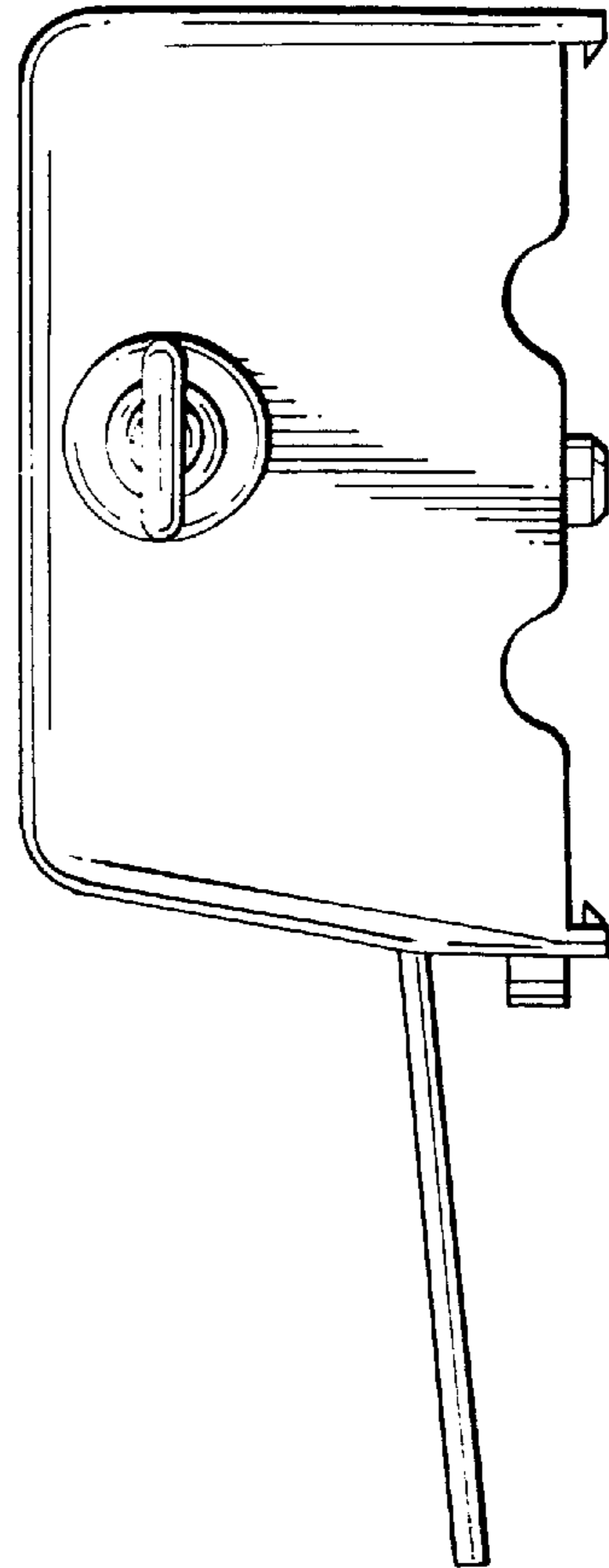


FIG. 9

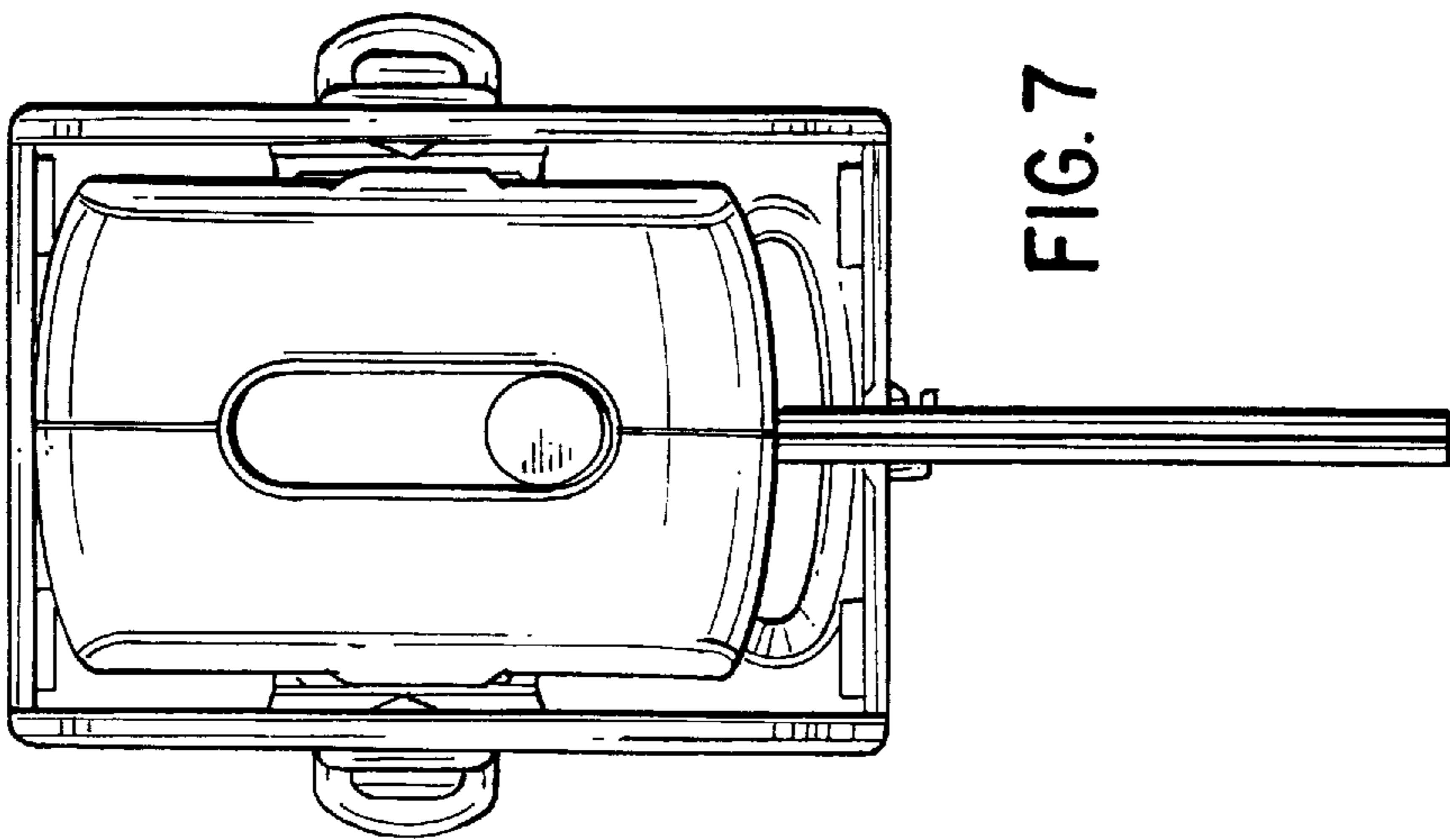


FIG. 7

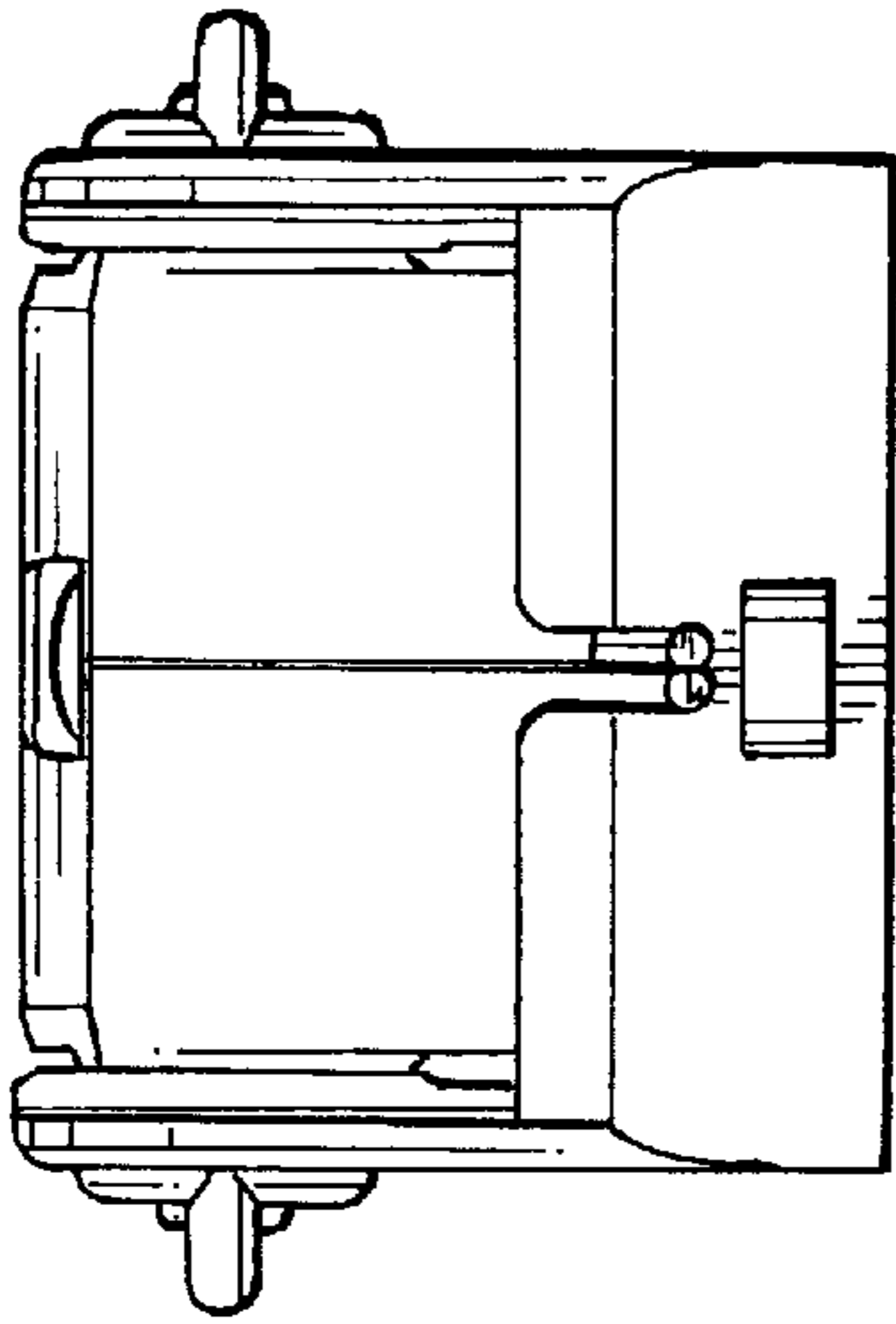


FIG. 10

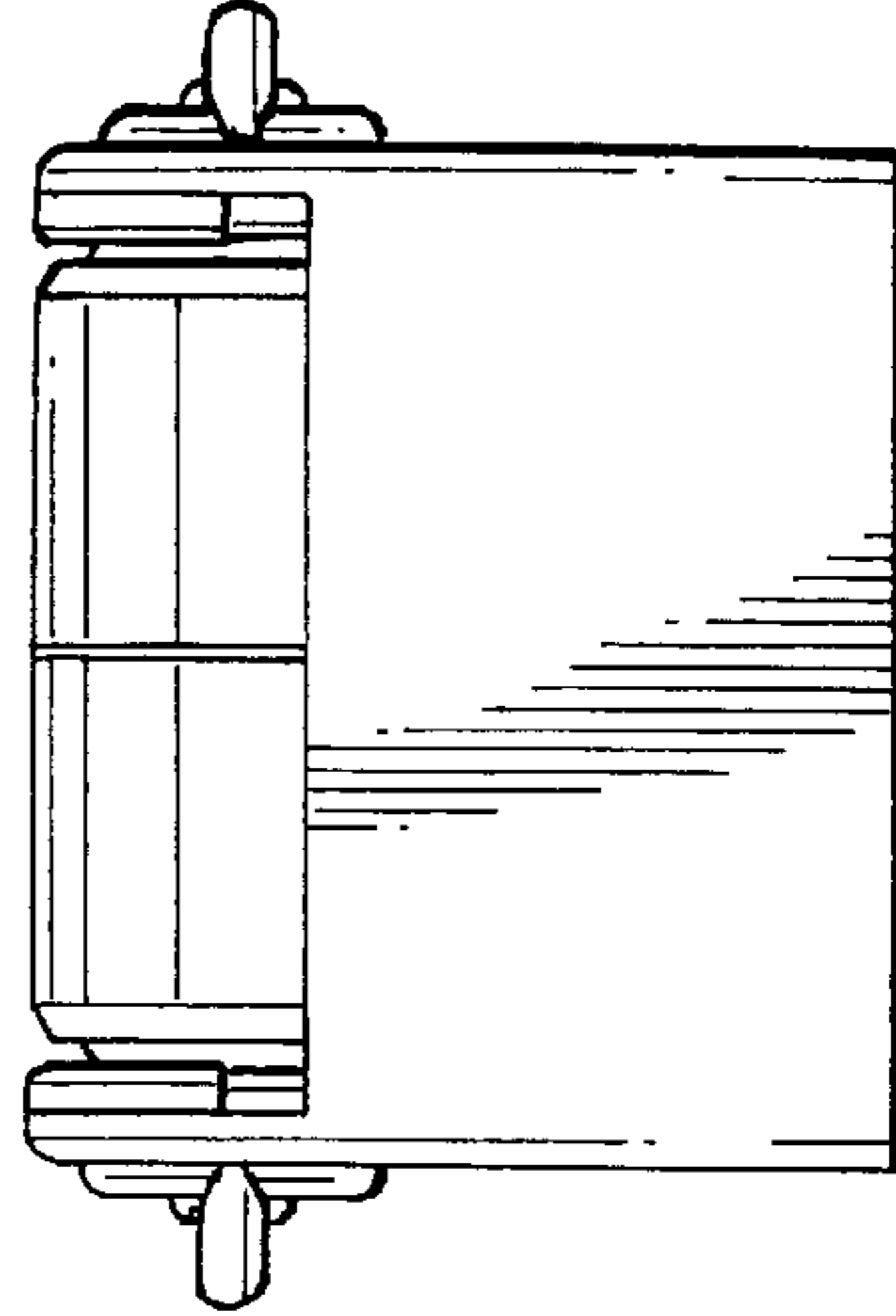


FIG. 11

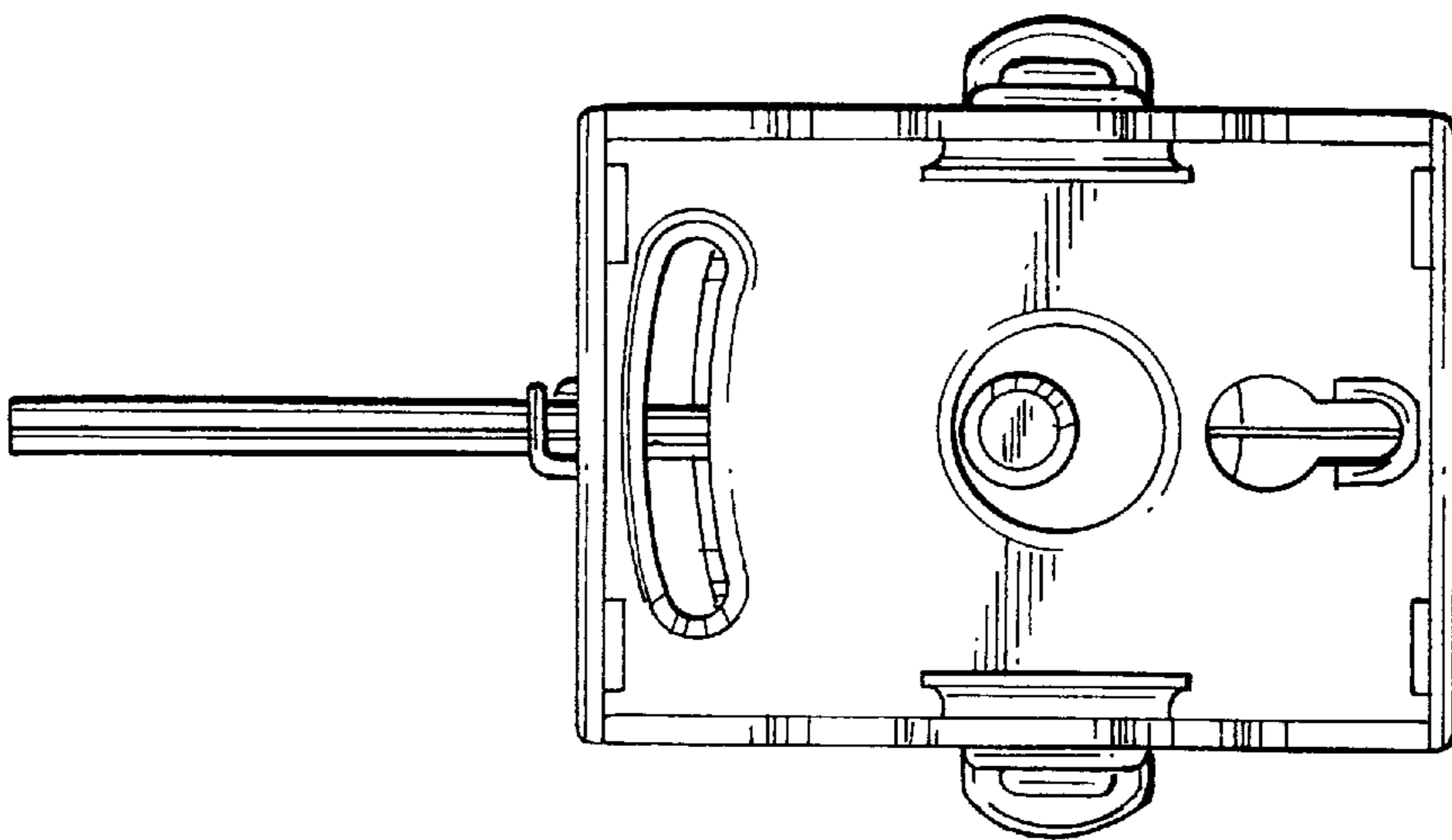


FIG. 12