



US00D401518S

United States Patent [19]
Rosario

[11] **Patent Number: Des. 401,518**

[45] **Date of Patent: **Nov. 24, 1998**

[54] **COMPUTERIZED DRAFTING BOARD**

Primary Examiner—Antoine Duval Davis

[76] Inventor: **Orlando Rosario**, 1480 Springside Dr.,
Weston, Fla. 33326

[57] **CLAIM**

[**] Term: **14 Years**

The ornamental design for a computerized drafting board, as shown.

[21] Appl. No.: **82,735**

DESCRIPTION

[22] Filed: **Jan. 29, 1998**

FIG. 1 is a front perspective view;

[51] **LOC (6) Cl.** **10-04**

FIG. 2 is a rear perspective view;

[52] **U.S. Cl.** **D10/63; D19/52**

FIG. 3 is a top view;

[58] **Field of Search** **D10/63; D19/52;**
33/1 AA, 430-448

FIG. 4 is a front elevational view;

FIG. 5 is a right elevational view;

FIG. 6 is a rear elevational view; and,

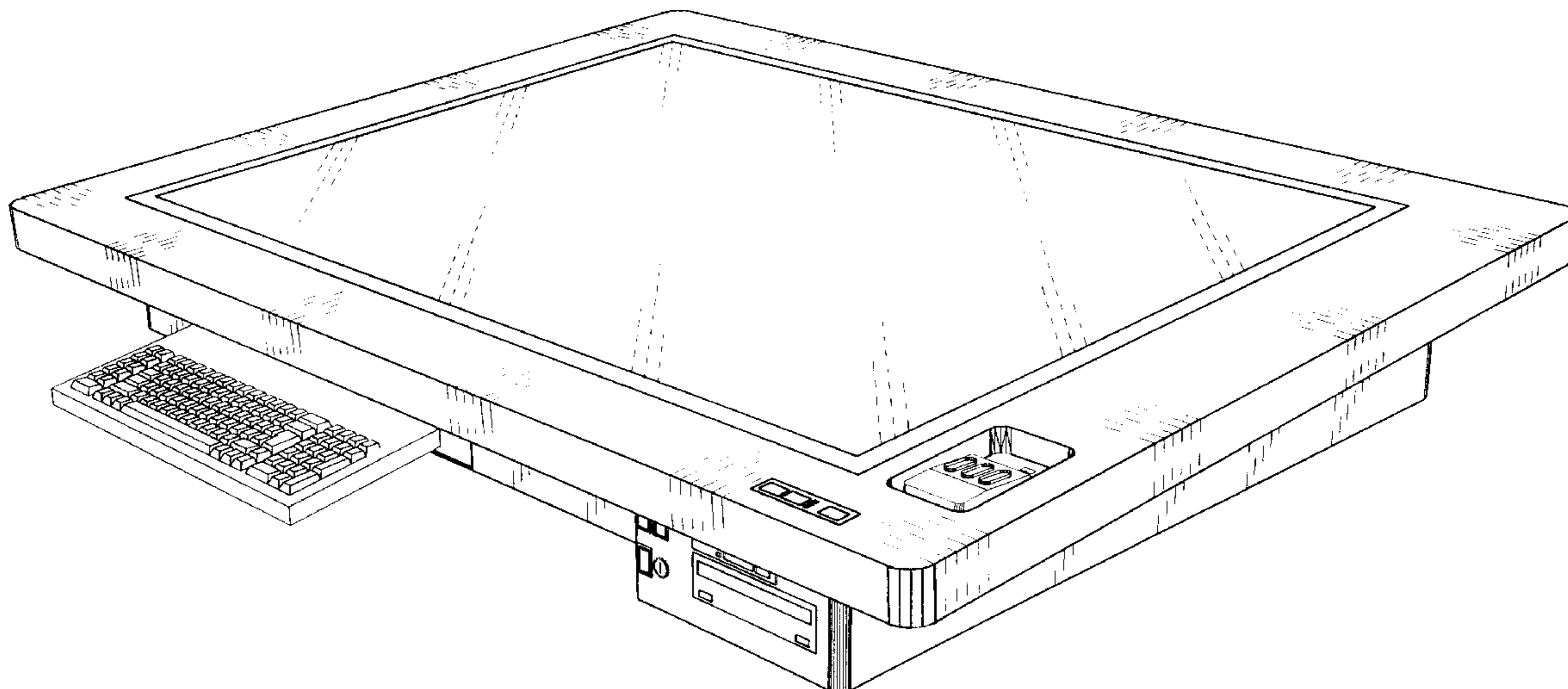
FIG. 7 is a left elevational view.

[56] **References Cited**

U.S. PATENT DOCUMENTS

D. 353,803 12/1994 Kuzumoto et al. D19/52

1 Claim, 5 Drawing Sheets



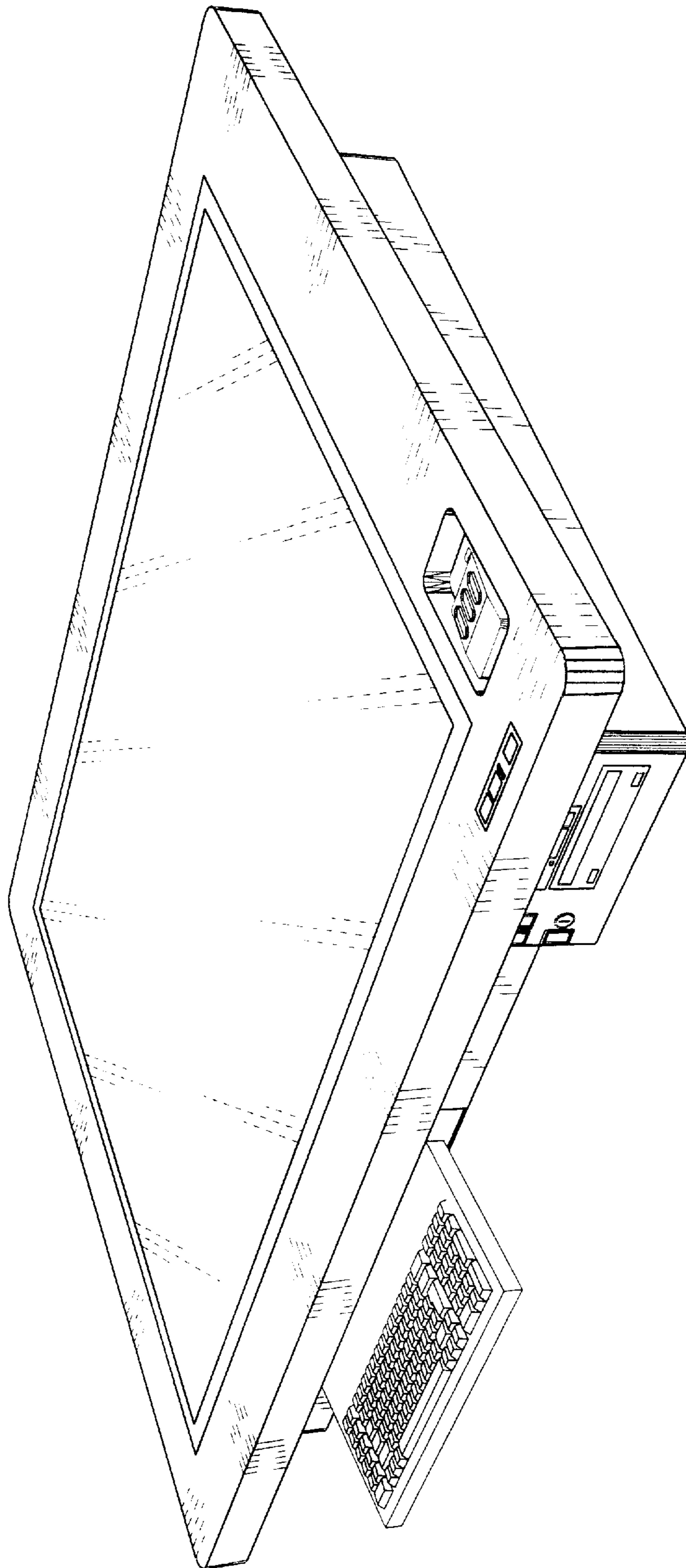


FIG. 1

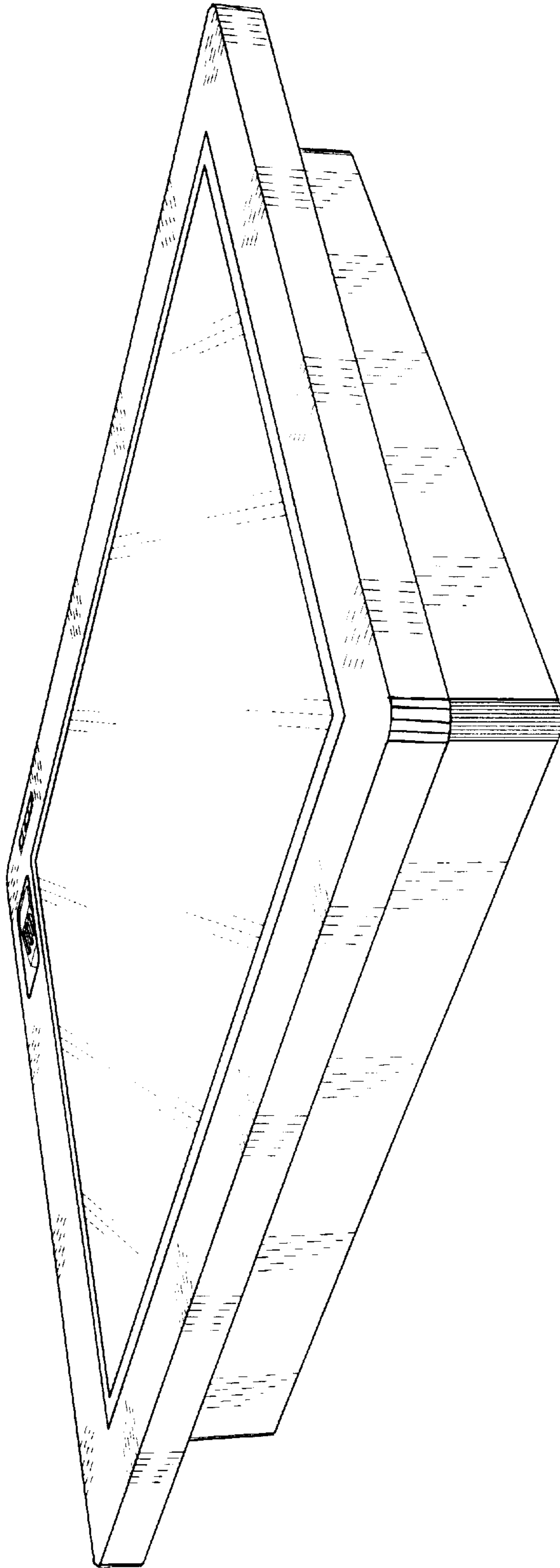


FIG. 2

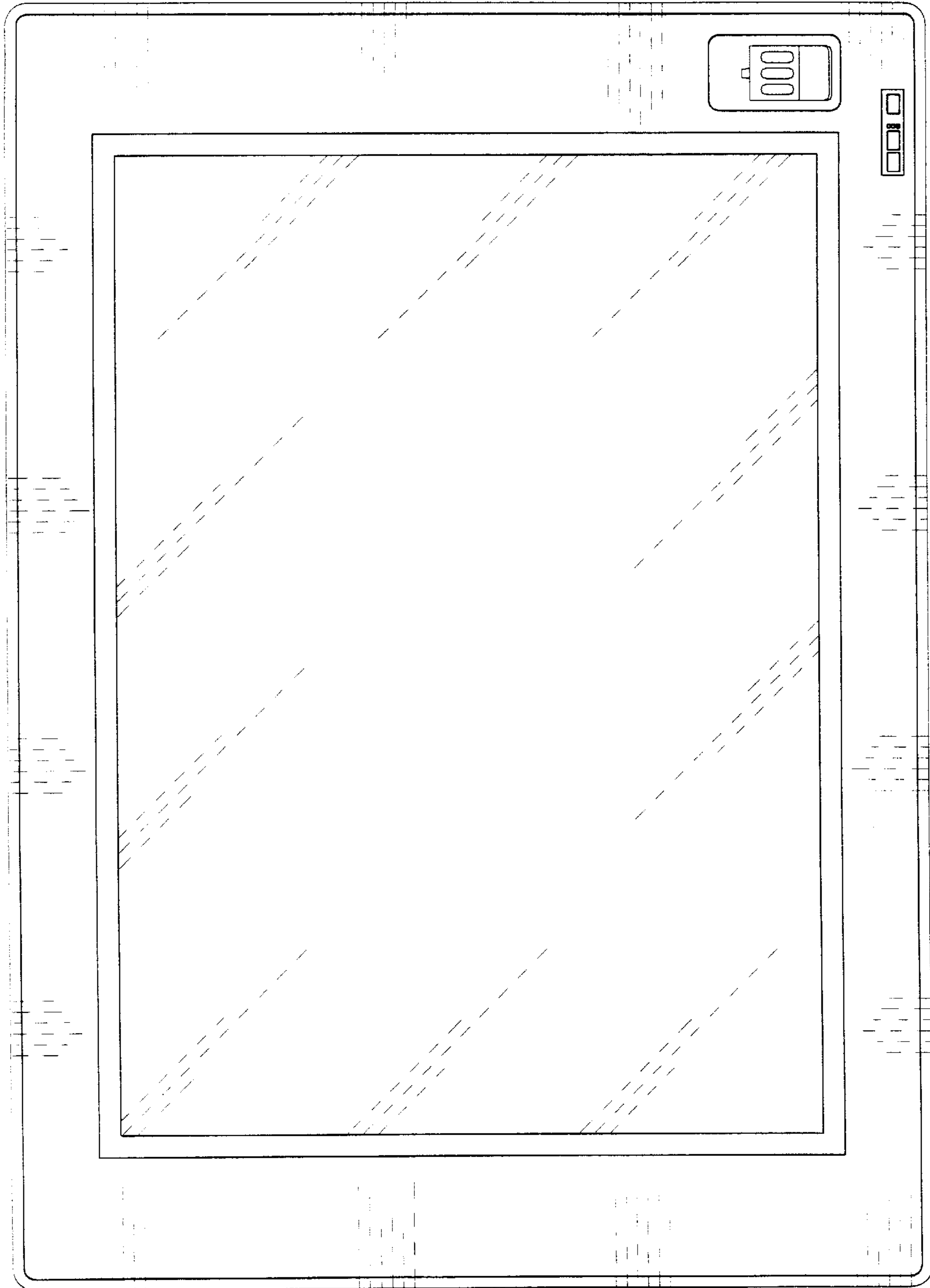


FIG. 3

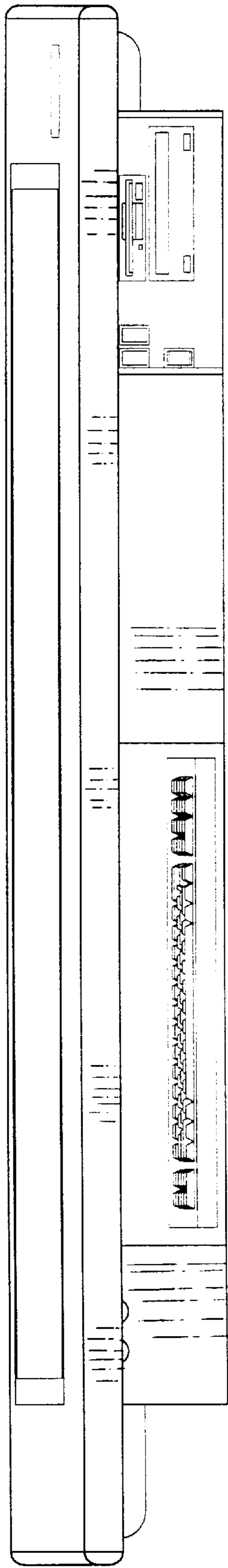


FIG. 4

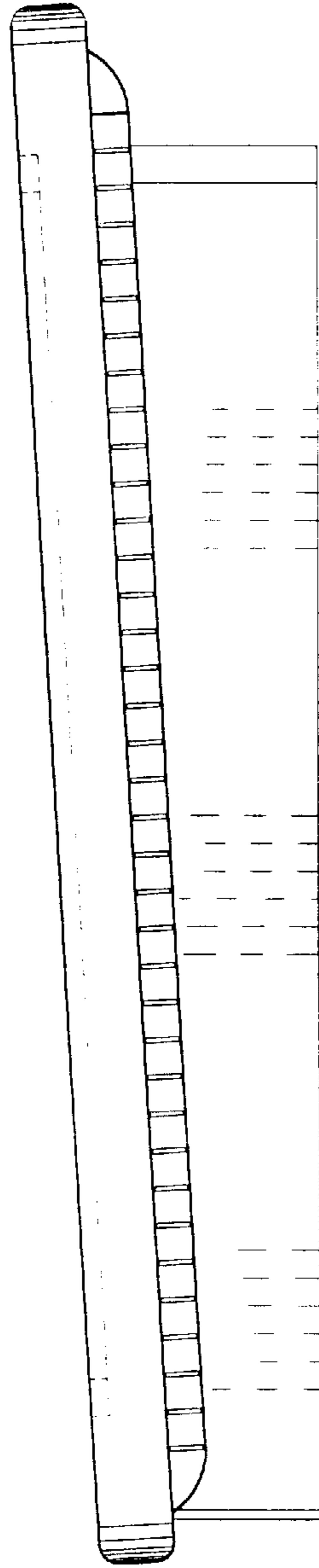


FIG. 5

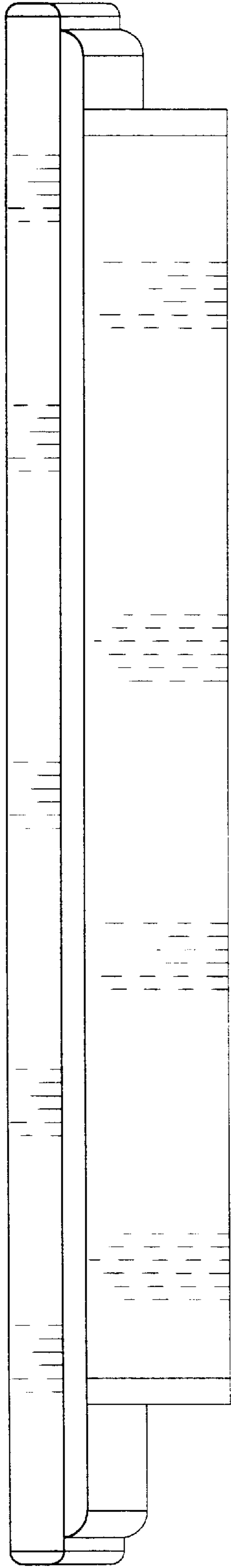


FIG. 6

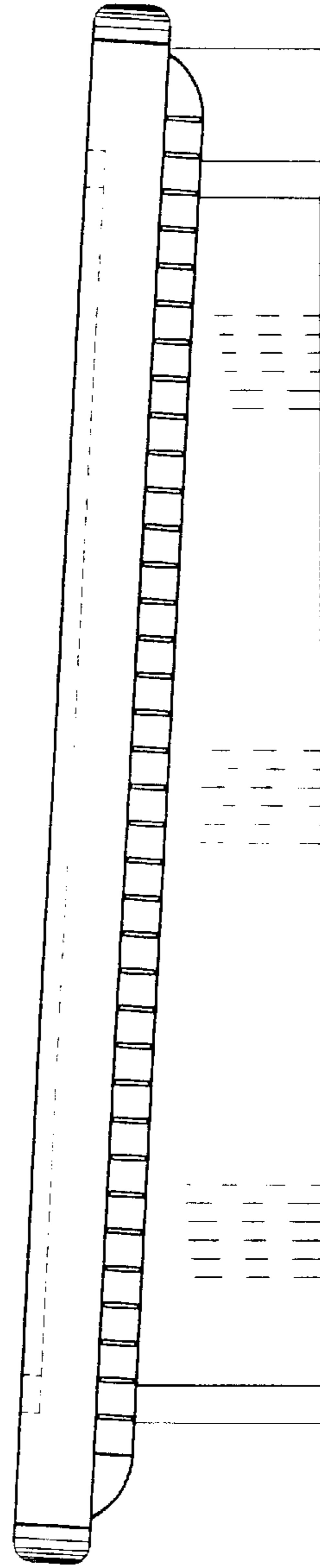


FIG. 7