



US00D401498S

United States Patent [19]
Caveney

[11] **Patent Number: Des. 401,498**

[45] **Date of Patent: **Nov. 24, 1998**

[54] **RIBLESS MOUNT**

3,913,876 10/1975 McSherry 248/484
4,488,333 12/1984 Tracy 24/198

[75] Inventor: **Jack E. Caveney**, Hinsdale, Ill.

Primary Examiner—Holly Baynham

[73] Assignee: **Panduit Corp.**, Tinley Park, Ill.

Attorney, Agent, or Firm—Mark D. Hilliard; Robert A. McCann; Michael J. Turgeon

[**] Term: **14 Years**

[57] **CLAIM**

[21] Appl. No.: **79,678**

The ornamental design for the ribless mount, as shown and described.

[22] Filed: **Nov. 20, 1997**

[51] **LOC (6) Cl.** **08-05**

[52] **U.S. Cl.** **D8/356**

[58] **Field of Search** D8/356, 354; 248/74,
248/74.3, 484, 341; 24/198, 16 PB, 30.5

DESCRIPTION

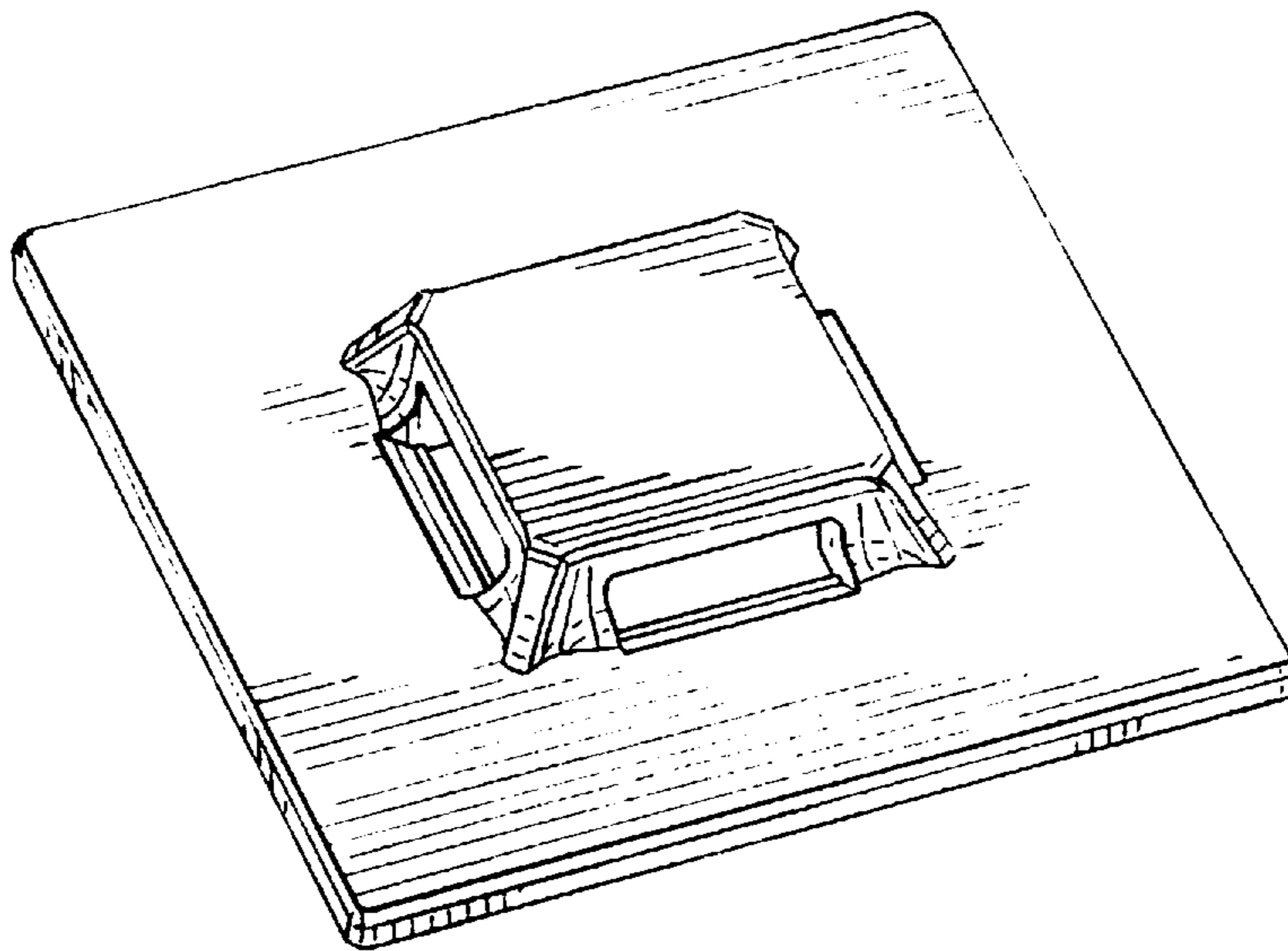
[56] **References Cited**

U.S. PATENT DOCUMENTS

D. 285,286	8/1986	Sharpe	D8/354
D. 298,604	11/1988	Newton	D8/354 X
D. 316,511	4/1991	White, Jr.	D8/349
D. 347,782	6/1994	Wentzel	D8/354 X
3,454,249	7/1969	Geisinger	248/205.3
3,632,071	1/1972	Cameron	248/743

FIG. 1 is a top perspective view of the ribless mount;
FIG. 2 is a bottom perspective view of the ribless mount of FIG. 1;
FIG. 3 is a front elevation view of the ribless mount of FIG. 1, which is identical to the back elevation view of the ribless mount of FIG. 1;
FIG. 4 is a right elevation view of the ribless mount of FIG. 1, which is identical to the left elevation view of the ribless mount of FIG. 1;
FIG. 5 is a top view of the ribless mount of FIG. 1; and,
FIG. 6 is a bottom view of the ribless mount of FIG. 1.

1 Claim, 2 Drawing Sheets



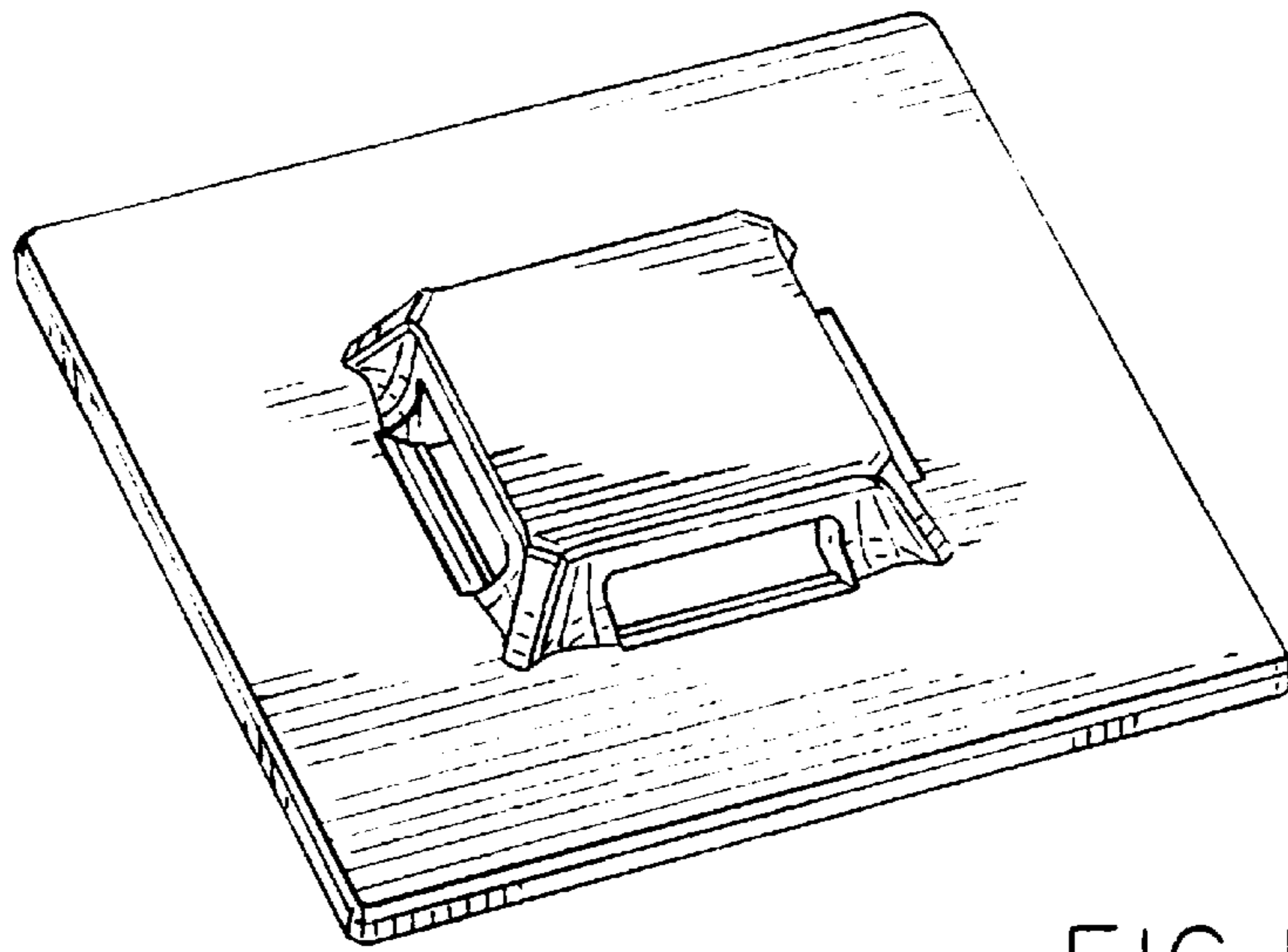


FIG. 1

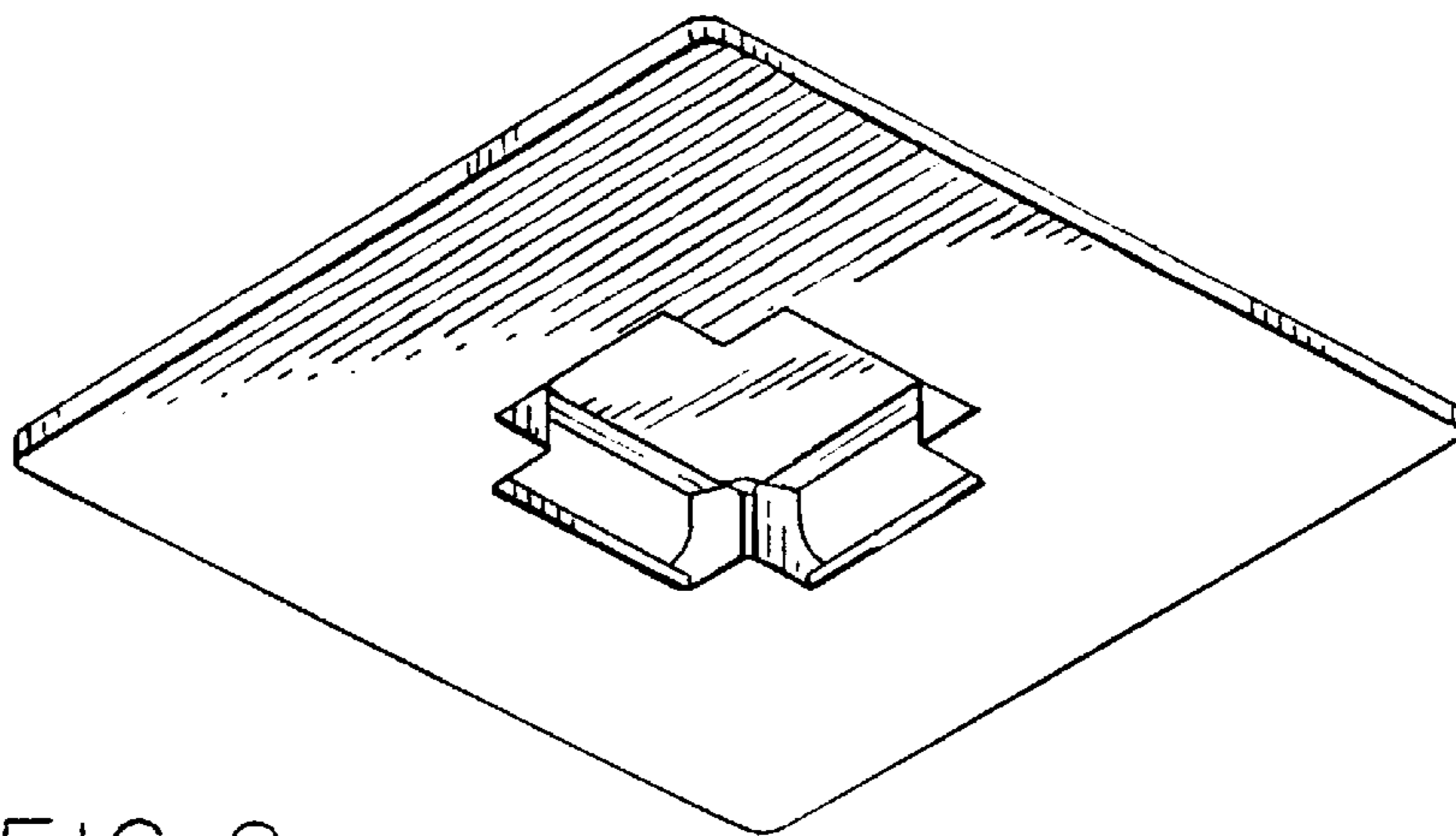


FIG. 2

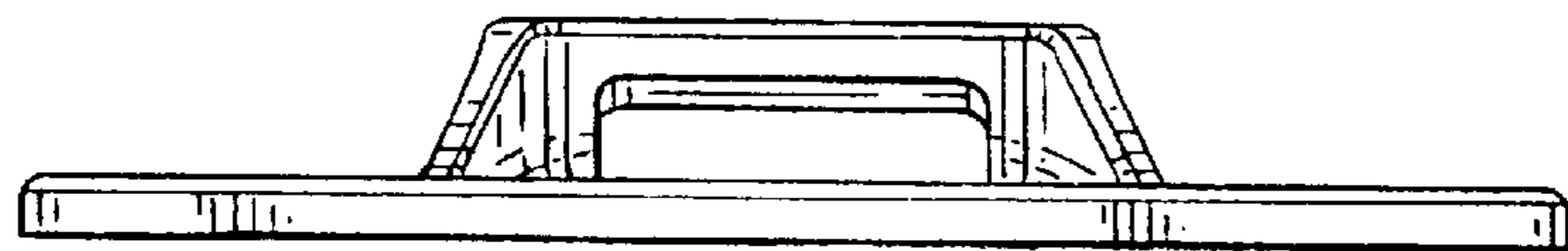


FIG. 3

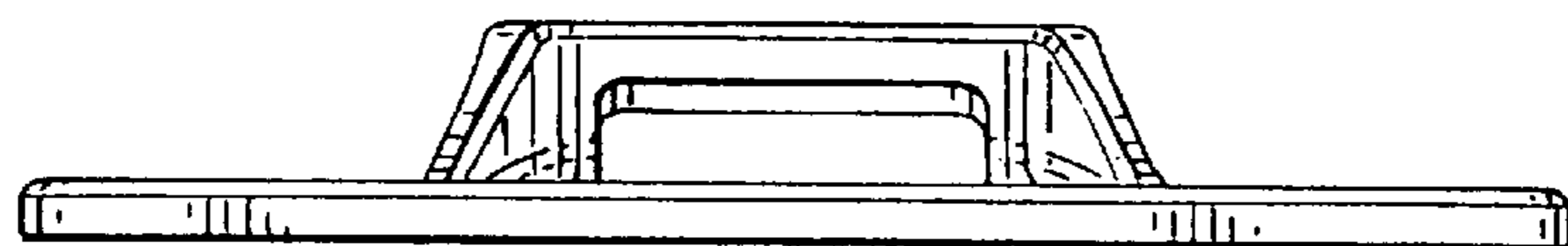


FIG. 4

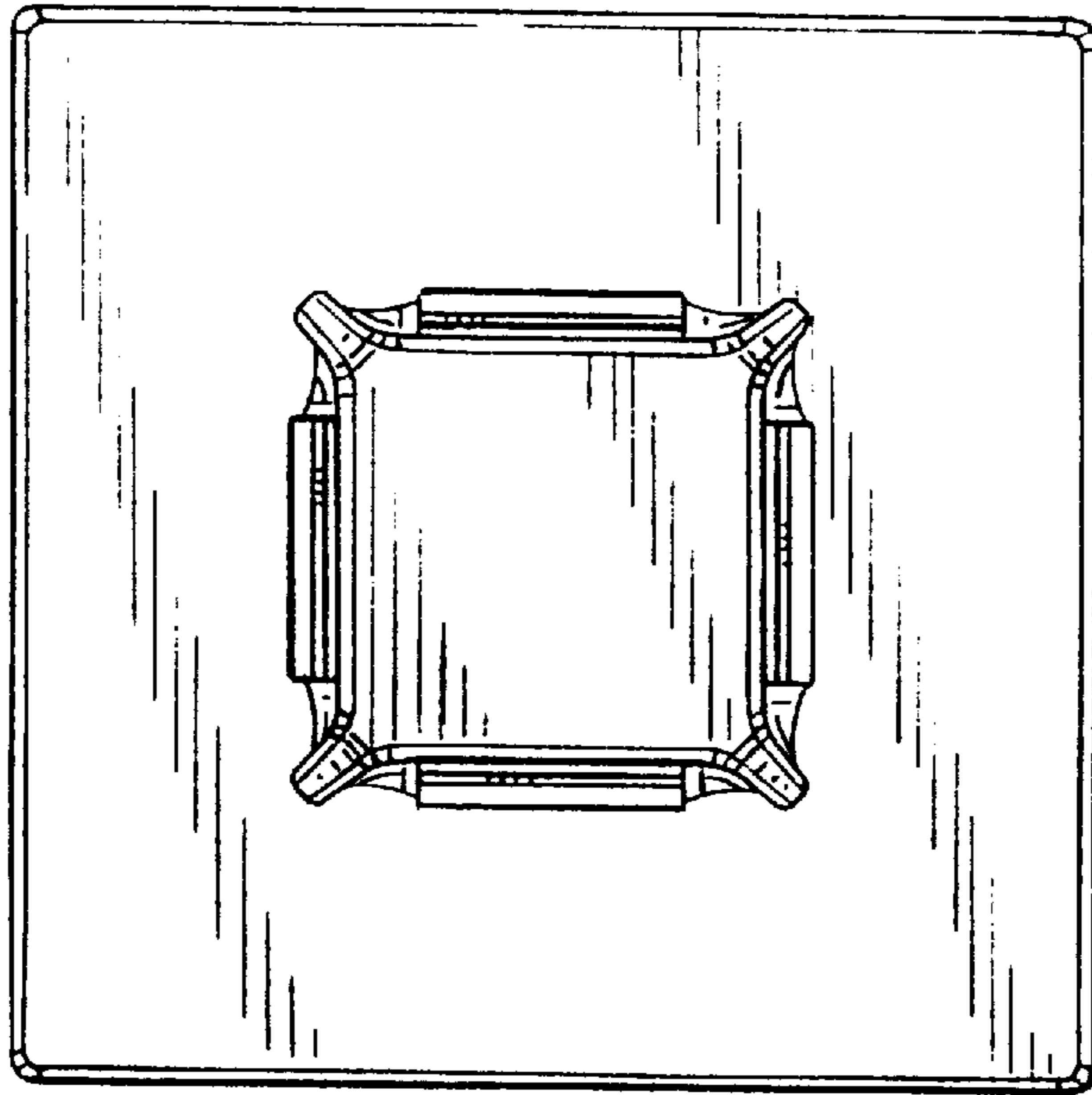


FIG. 5

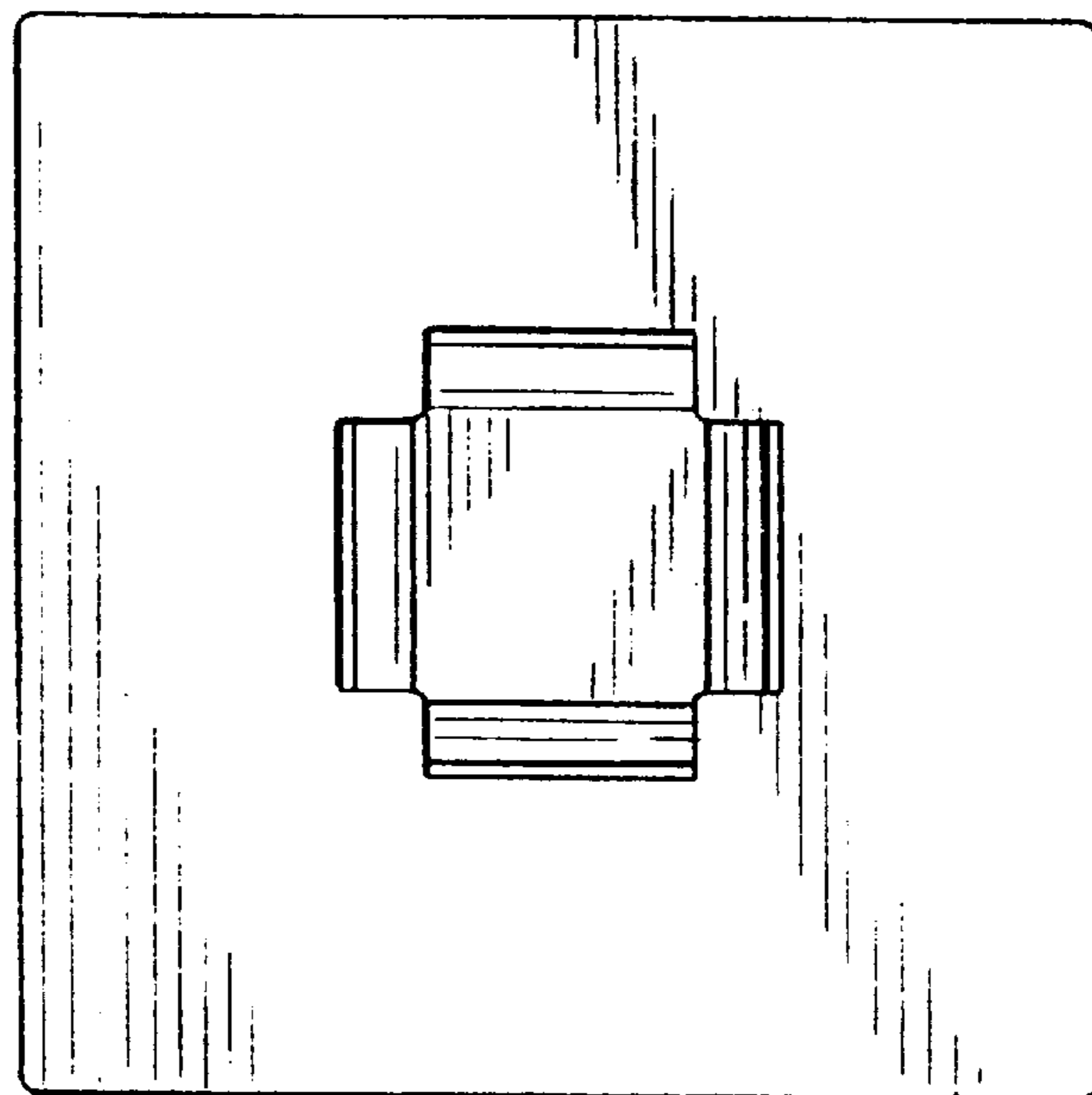


FIG. 6