



US00D401496S

United States Patent [19]

Lambert et al.

[11] Patent Number: Des. 401,496

[45] Date of Patent: **Nov. 24, 1998

[54] POT LID HOLDER

[76] Inventors: **Jerry D. Lambert; Irene B. Lambert,**
both of 759 Kenowood Dr., Port
Orange, Fla. 32119

[**] Term: **14 Years**

[21] Appl. No.: **79,473**

[22] Filed: **Nov. 13, 1997**

[51] LOC (6) Cl. **08-05**

[52] U.S. Cl. **D8/354**

[58] Field of Search D8/349, 354, 373;
D7/641, 704; 248/300, 200, 309.1; 211/96

[56] References Cited

U.S. PATENT DOCUMENTS

D. 356,488	3/1995	Gehiere	D8/354
4,936,536	6/1990	Meneghello	248/309.1
5,170,978	12/1992	Hoffman	248/309.1
5,246,195	9/1993	Huff	248/309.1
5,297,766	3/1994	Hoffman	248/309.1

Primary Examiner—Holly Baynham
Attorney, Agent, or Firm—William M. Hobby, III

[57] CLAIM

The ornamental design for a pot lid holder, as shown.

DESCRIPTION

FIG. 1 is a bottom rear side perspective view of my new pot lid holder;
FIG. 2 is a top front side perspective;
FIG. 3 is a bottom front side perspective view;
FIG. 4 is a left side elevation;
FIG. 5 is a right side elevation;
FIG. 6 is a bottom plan view;
FIG. 7 is a top plan view;
FIG. 8 is a rear elevation; and,
FIG. 9 is a front elevation.

The broken line showing of fragmented pot elements is for illustrative purposes only and forms no part of the claimed design.

1 Claim, 1 Drawing Sheet

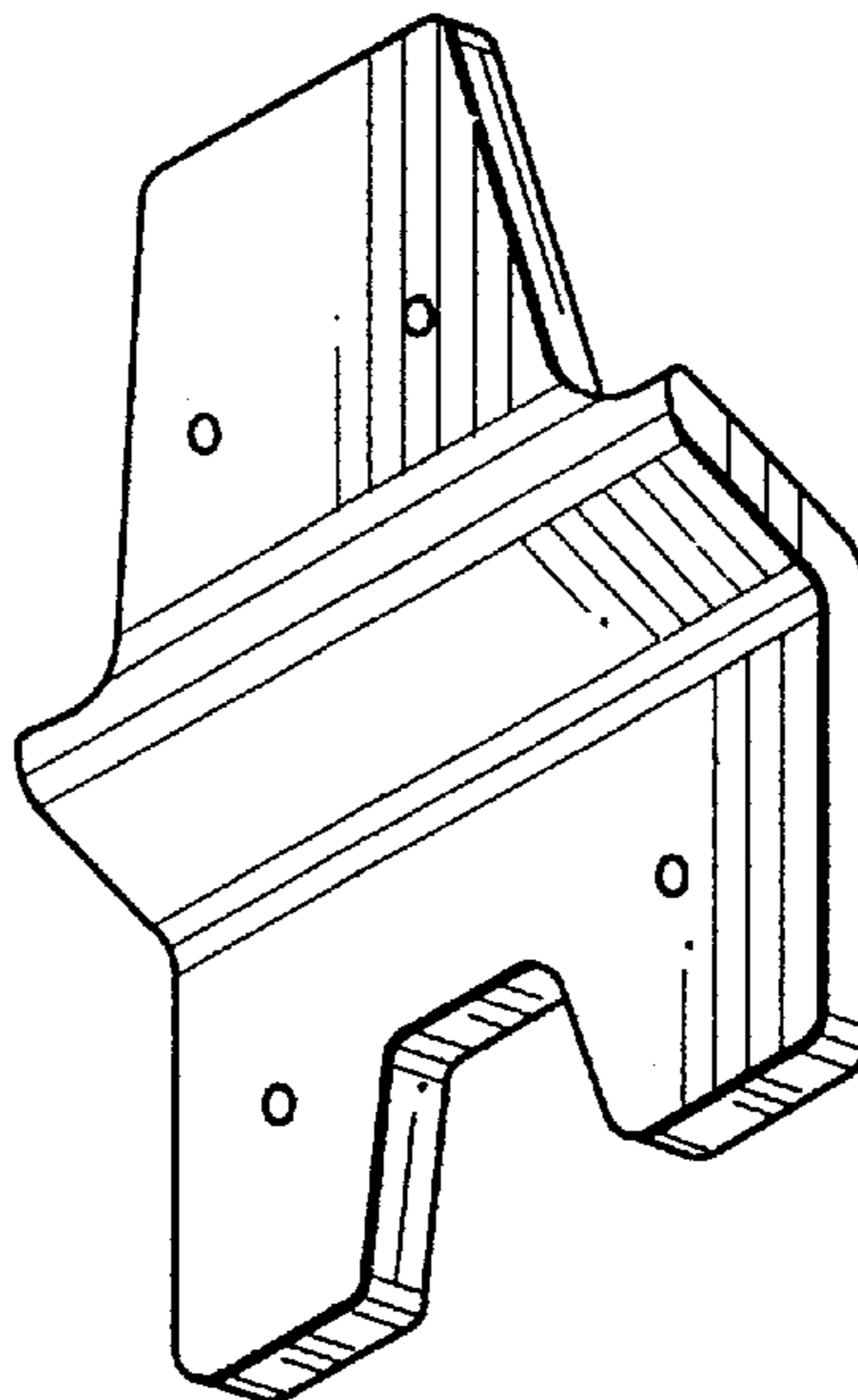


FIG. 1

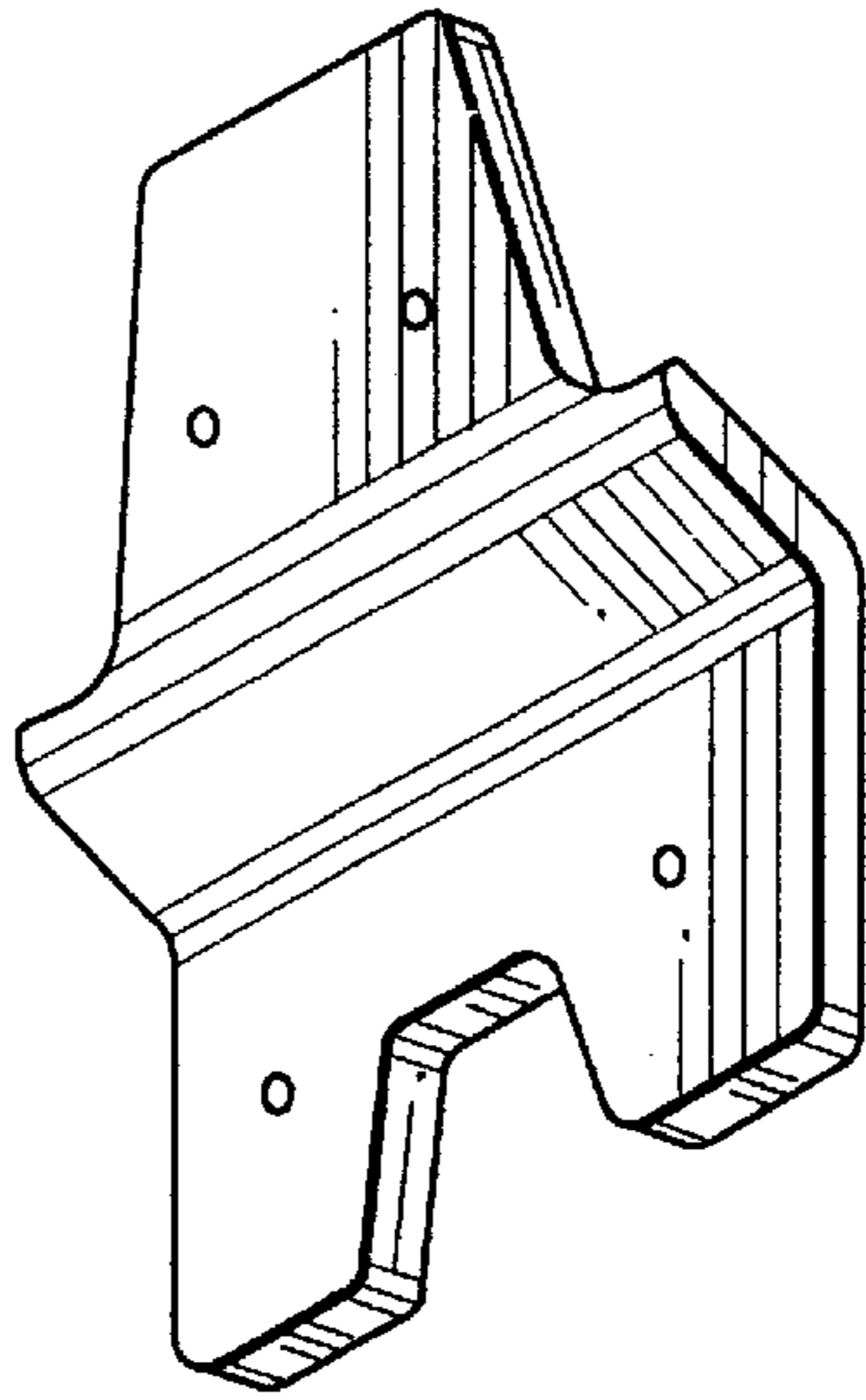


FIG. 4

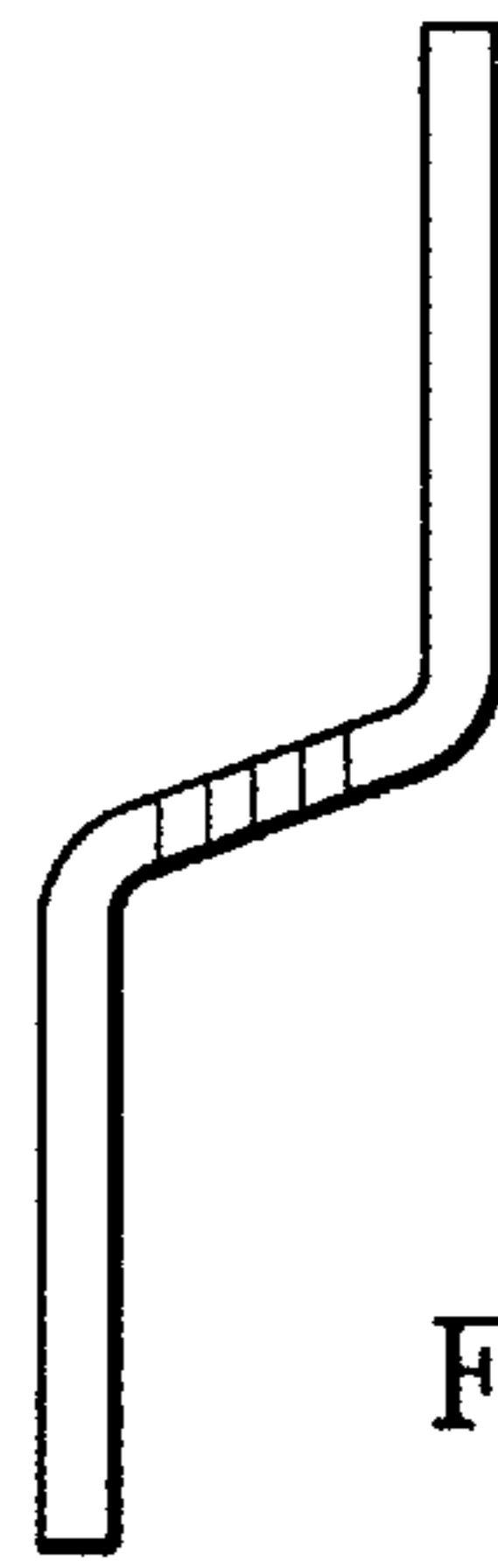


FIG. 3

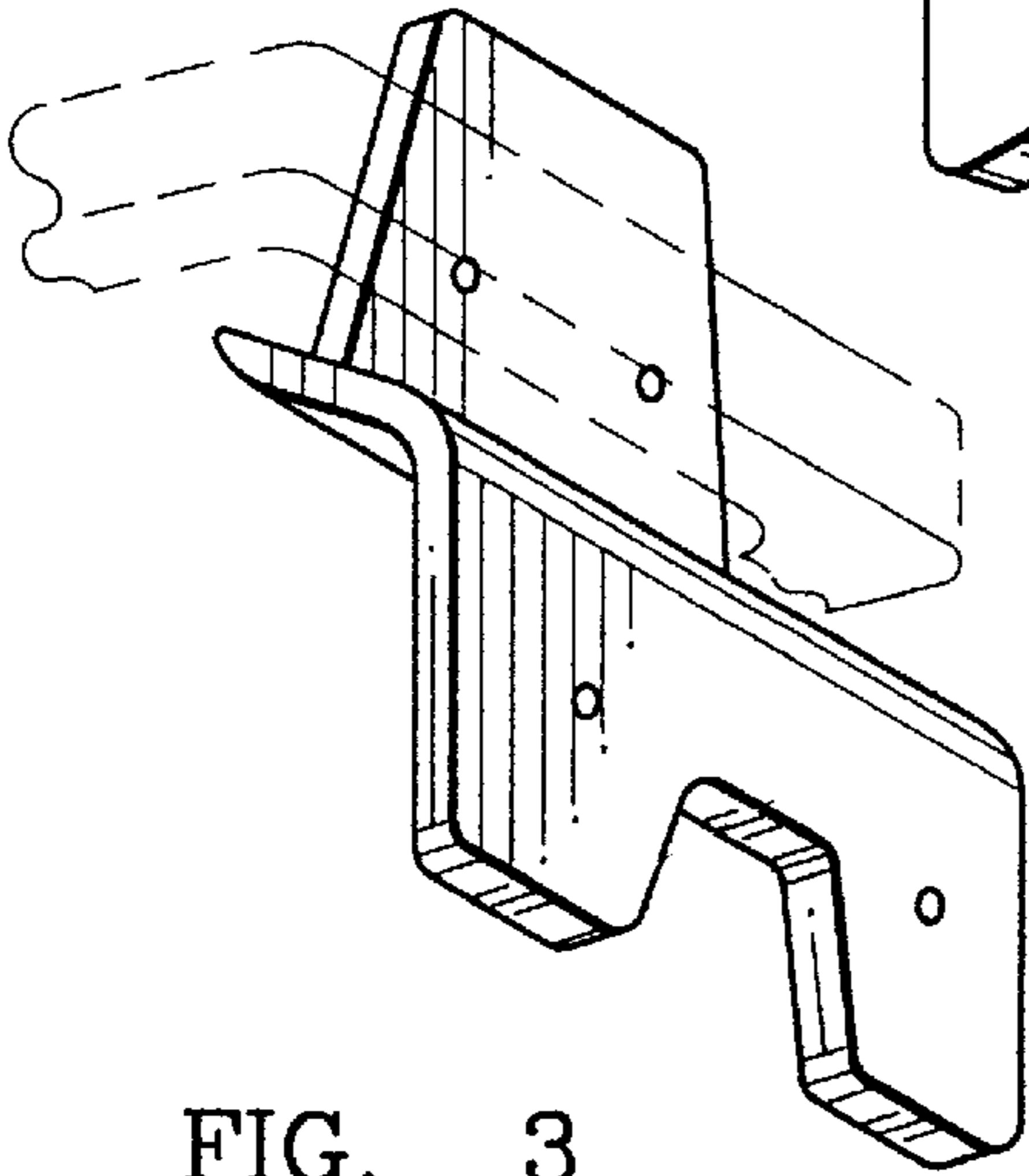


FIG. 2

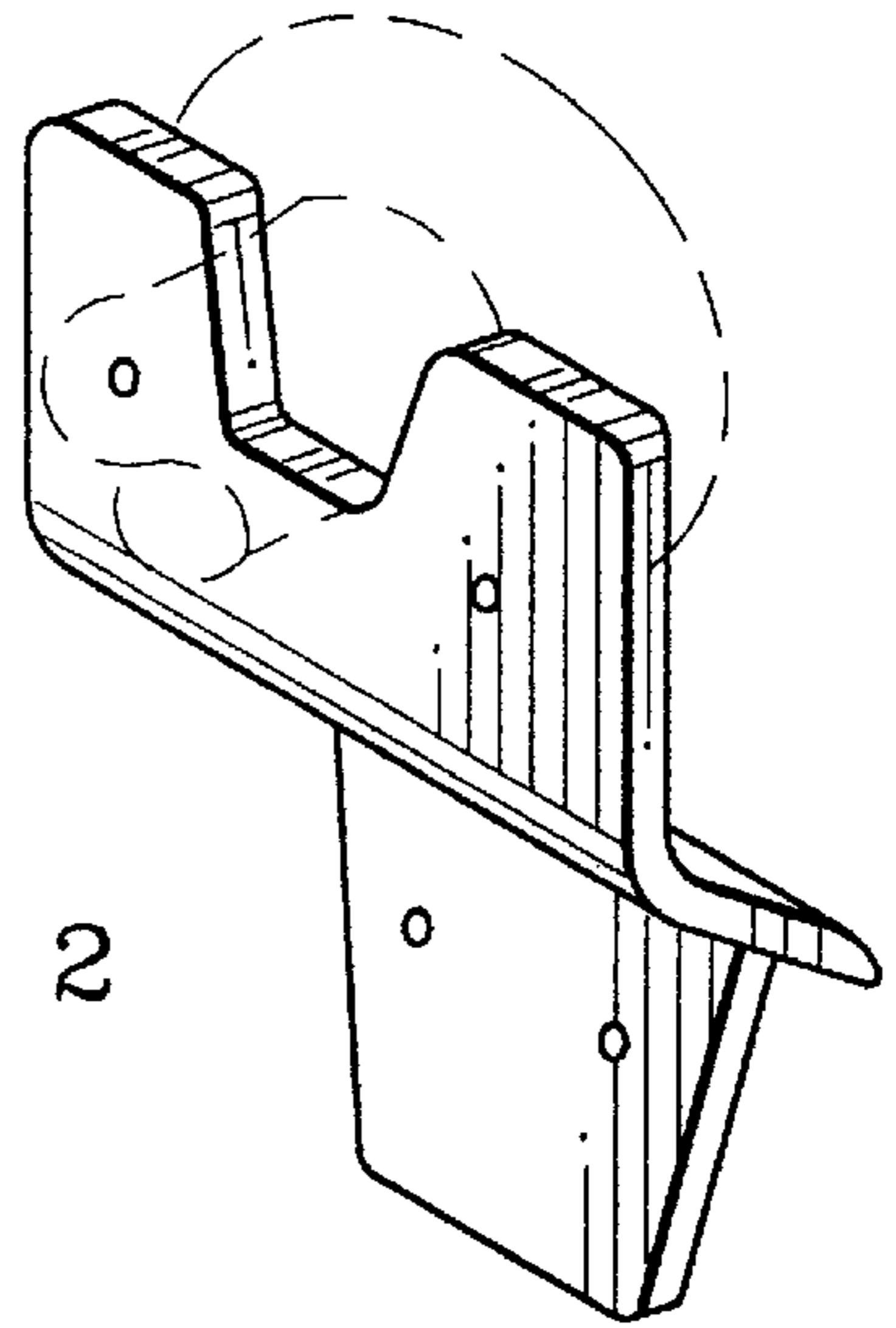


FIG. 6

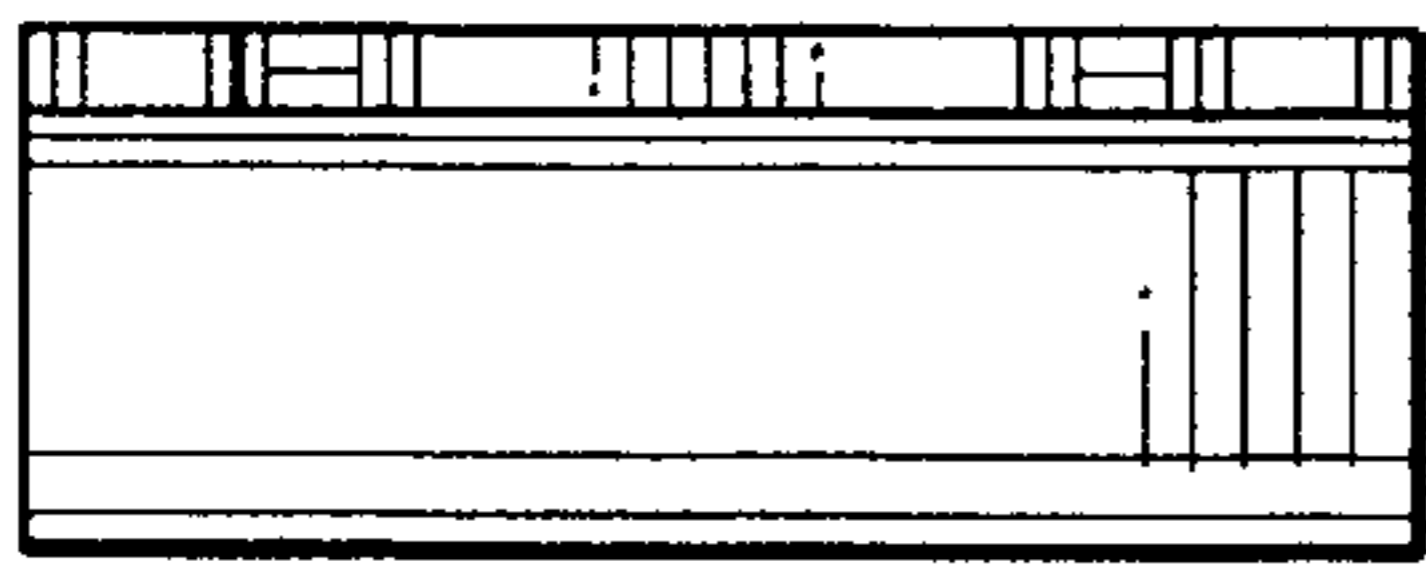


FIG. 7

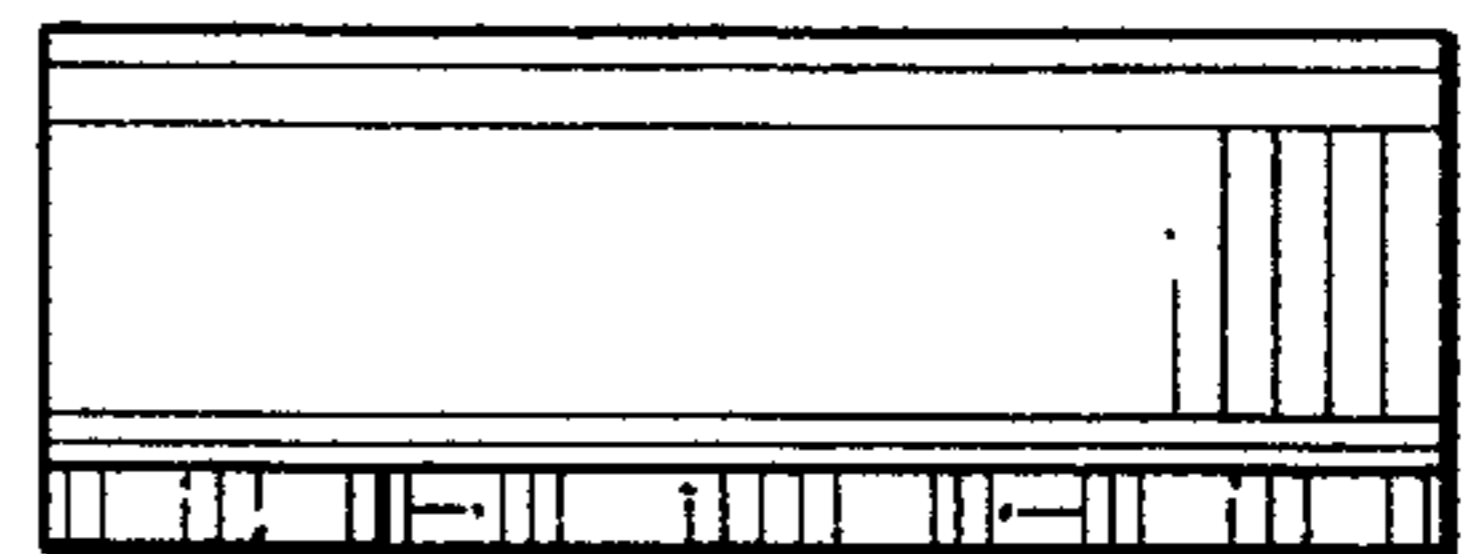


FIG. 5

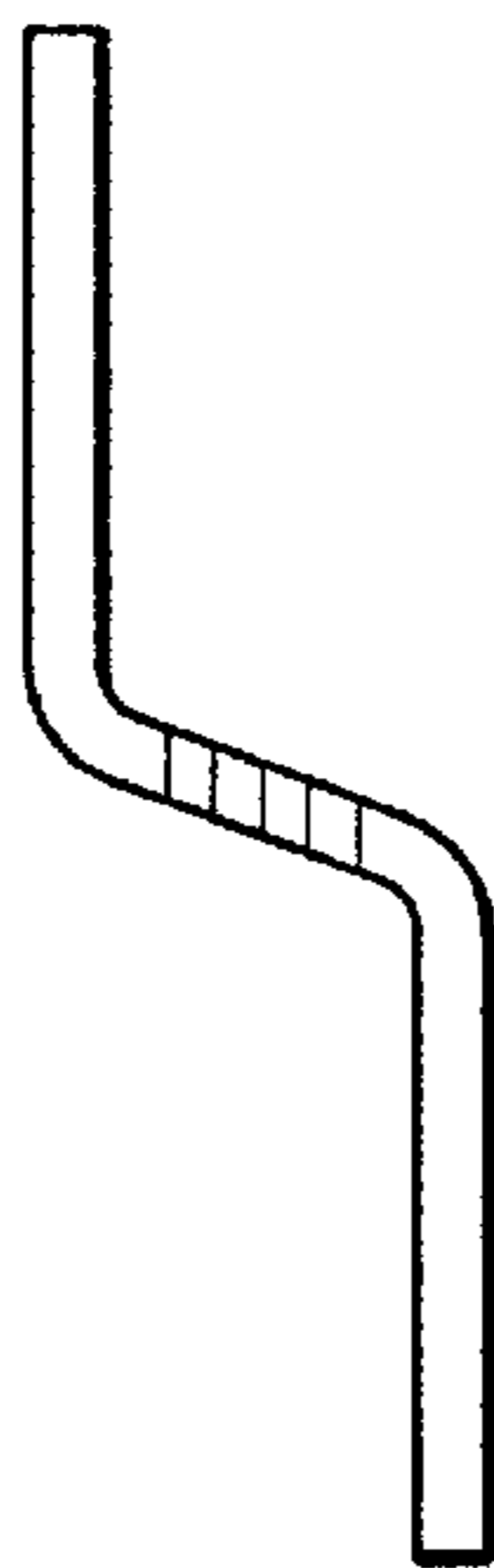


FIG. 8

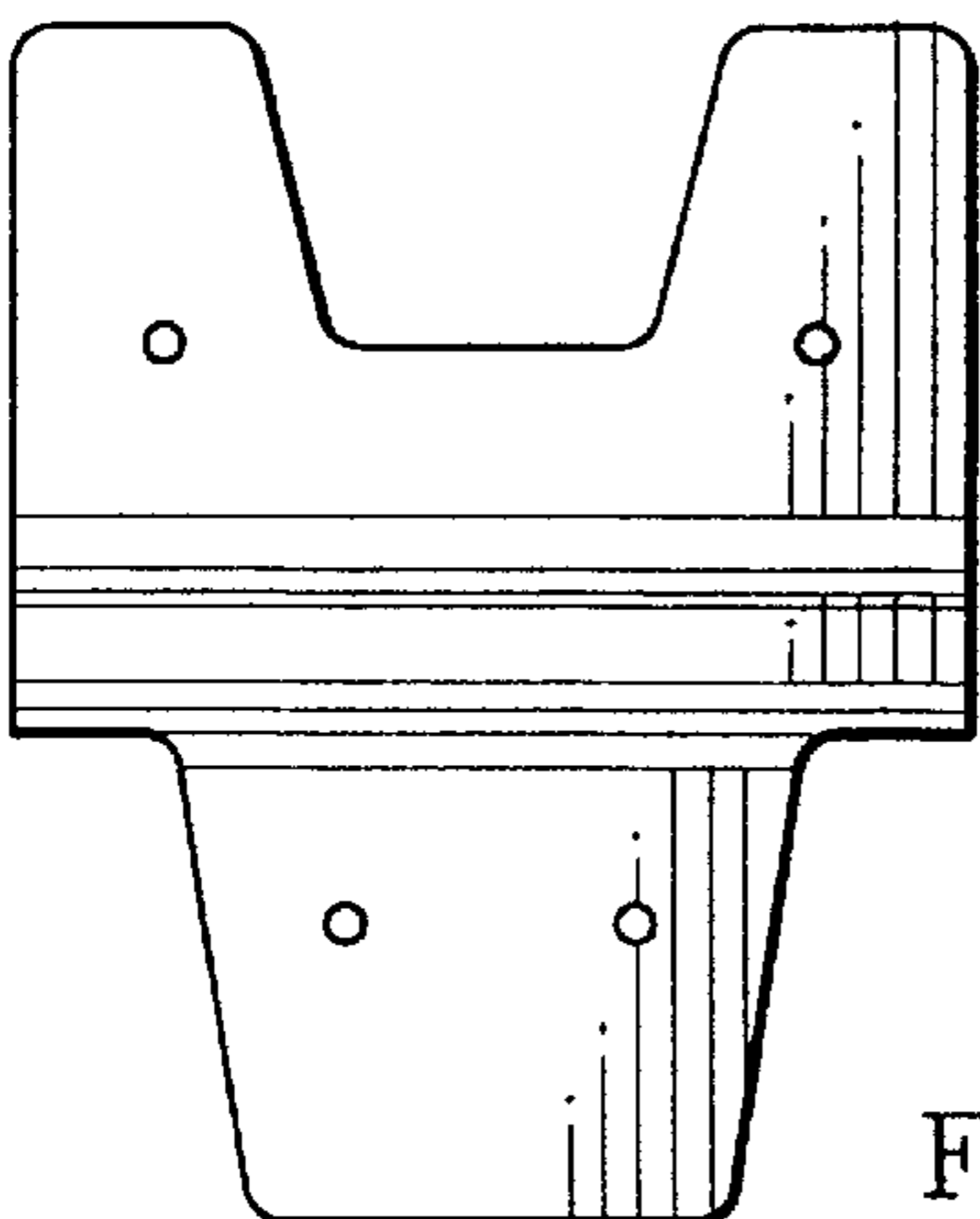


FIG. 9

