



US00D401495S

United States Patent [19]
Fischer

[11] **Patent Number: Des. 401,495**

[45] **Date of Patent: **Nov. 24, 1998**

[54] **ARM FOR BRACKET ASSEMBLY**

[76] Inventor: **Roy Fischer**, 7641 E. Gray Rd.,
Scottsdale, Ariz. 85260

[**] Term: **14 Years**

[21] Appl. No.: **82,238**

[22] Filed: **Jan. 19, 1998**

[51] **LOC (6) Cl. 08-05**

[52] **U.S. Cl. D8/349**

[58] **Field of Search D8/349, 354; 248/300,**
248/200, 229, 284.1, 674, 231.81

[56] **References Cited**

U.S. PATENT DOCUMENTS

2,568,896 9/1951 Morgan et al. 248/200 X

Primary Examiner—Holly Baynham
Attorney, Agent, or Firm—Gregory J. Nelson

[57] **CLAIM**

The ornamental design for a arm for bracket assembly, as shown and described.

DESCRIPTION

FIG. 1 is a perspective view showing the arm for bracket assembly;

FIG. 2 is a top view thereof;

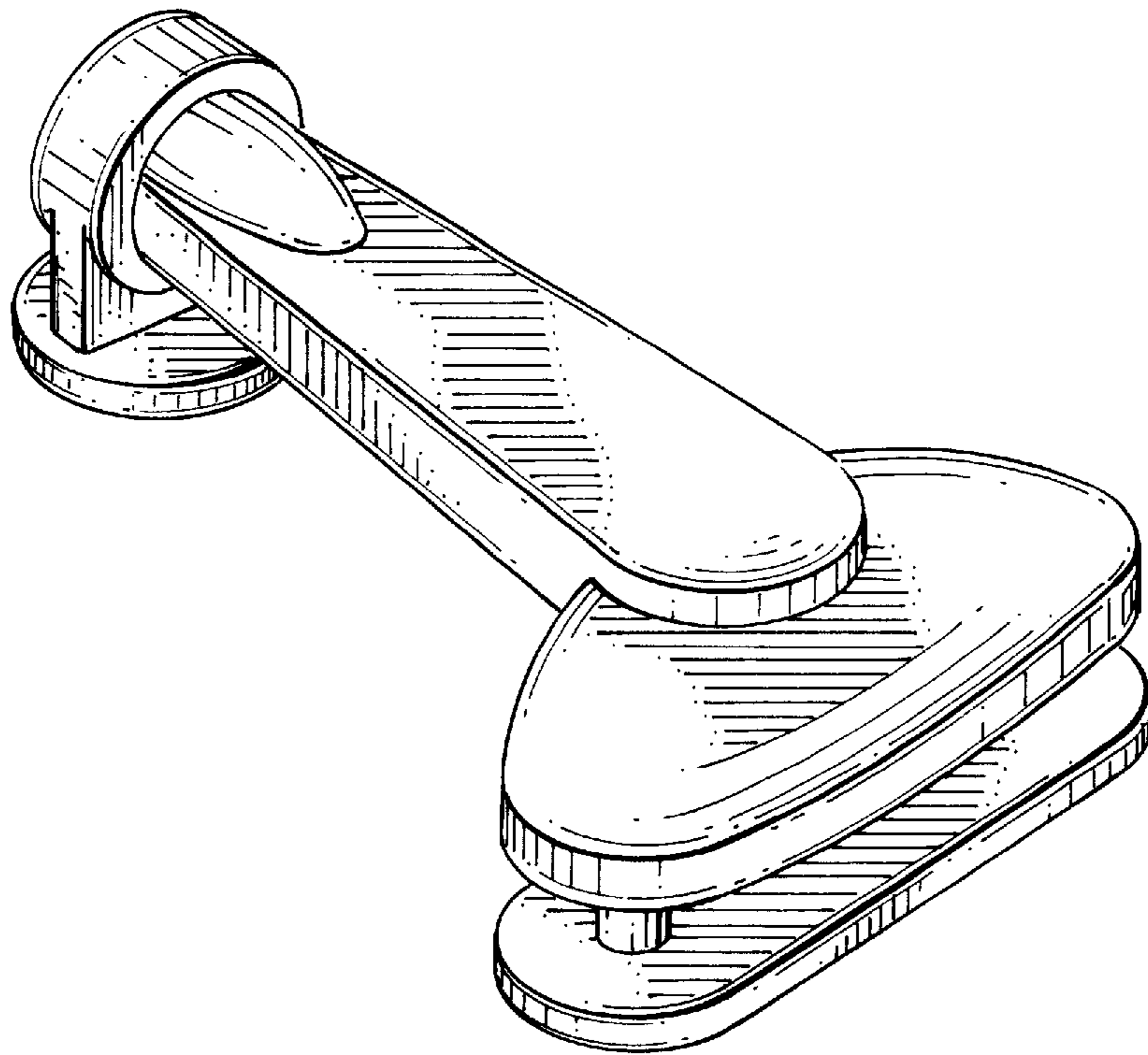
FIG. 3 is a bottom view thereof;

FIG. 4 is a side view thereof;

FIG. 5 is a front view thereof; and,

FIG. 6 is a rear view of the arm for bracket assembly.

1 Claim, 1 Drawing Sheet



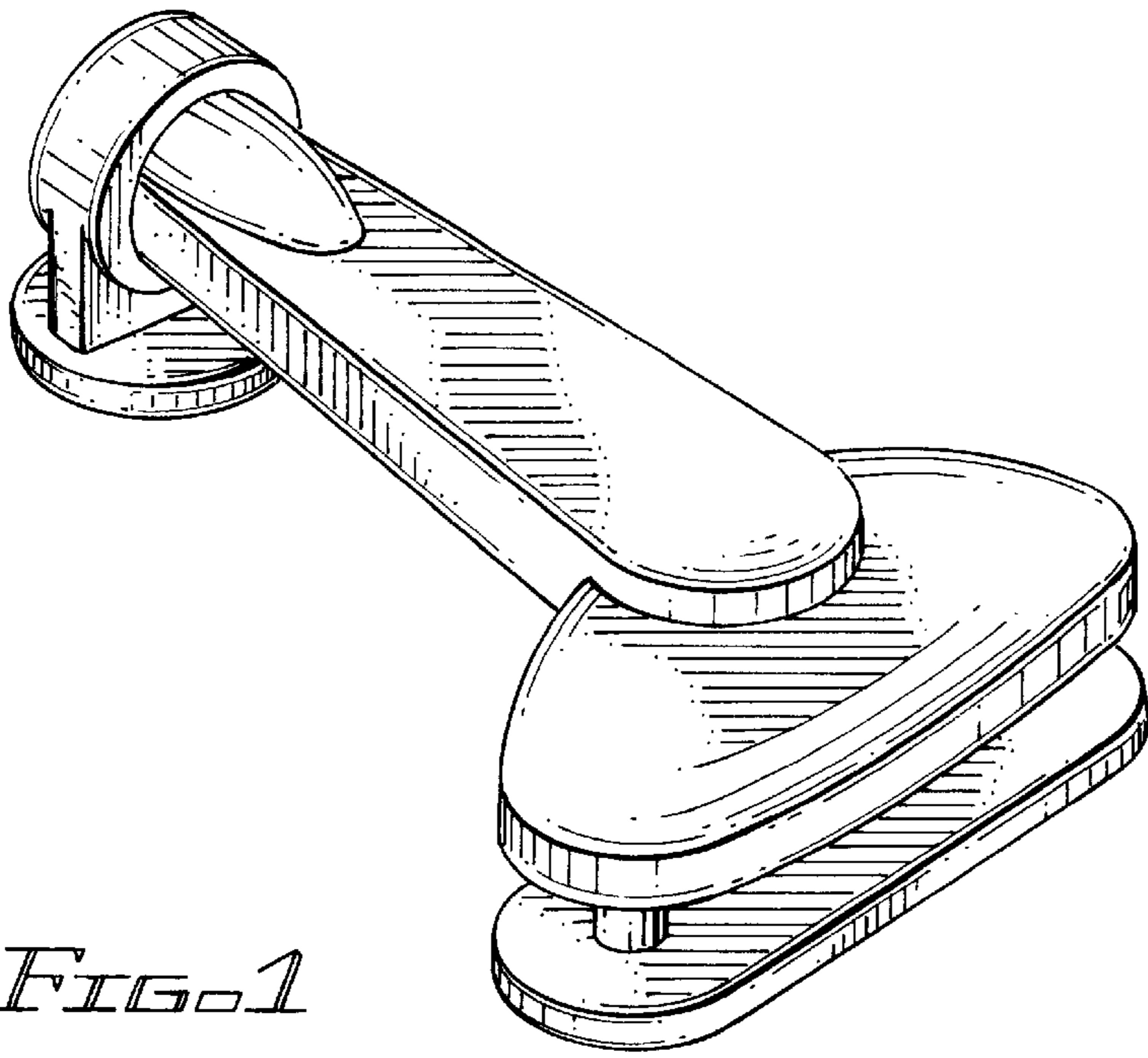


FIG. 1

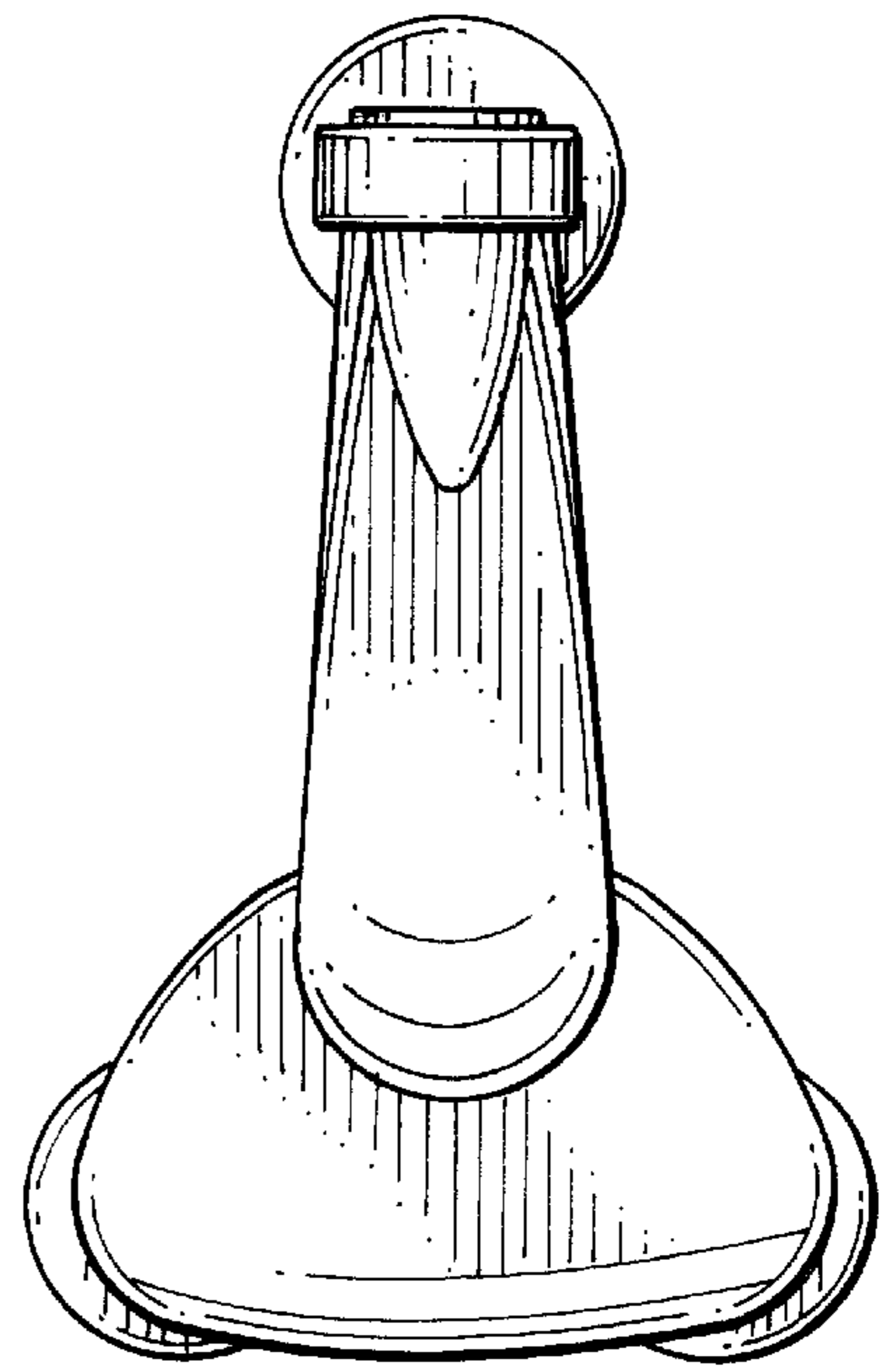


FIG. 2

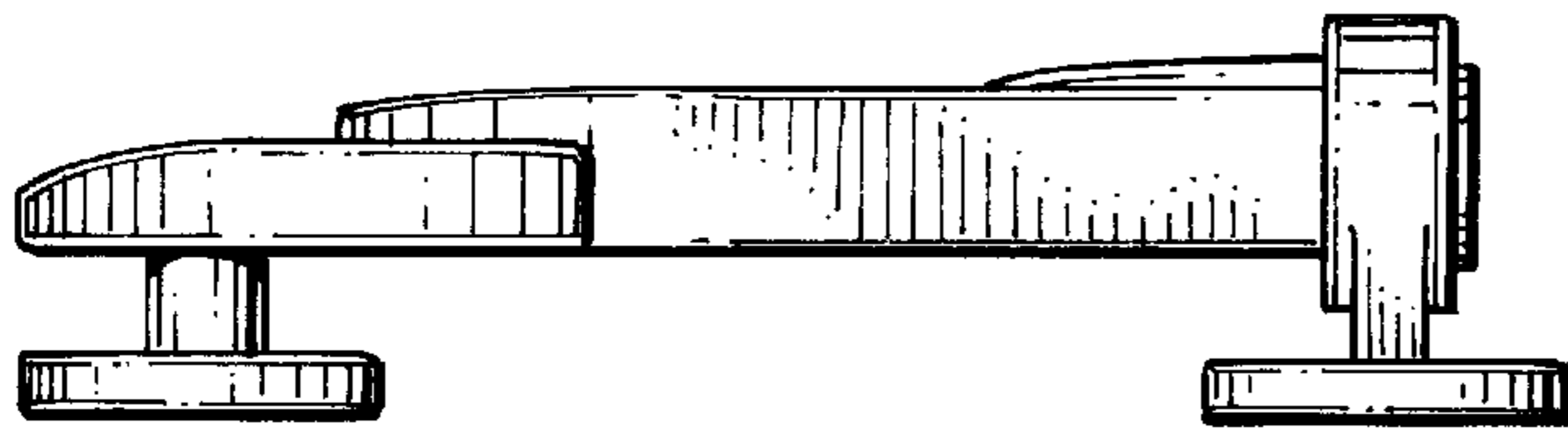


FIG. 4

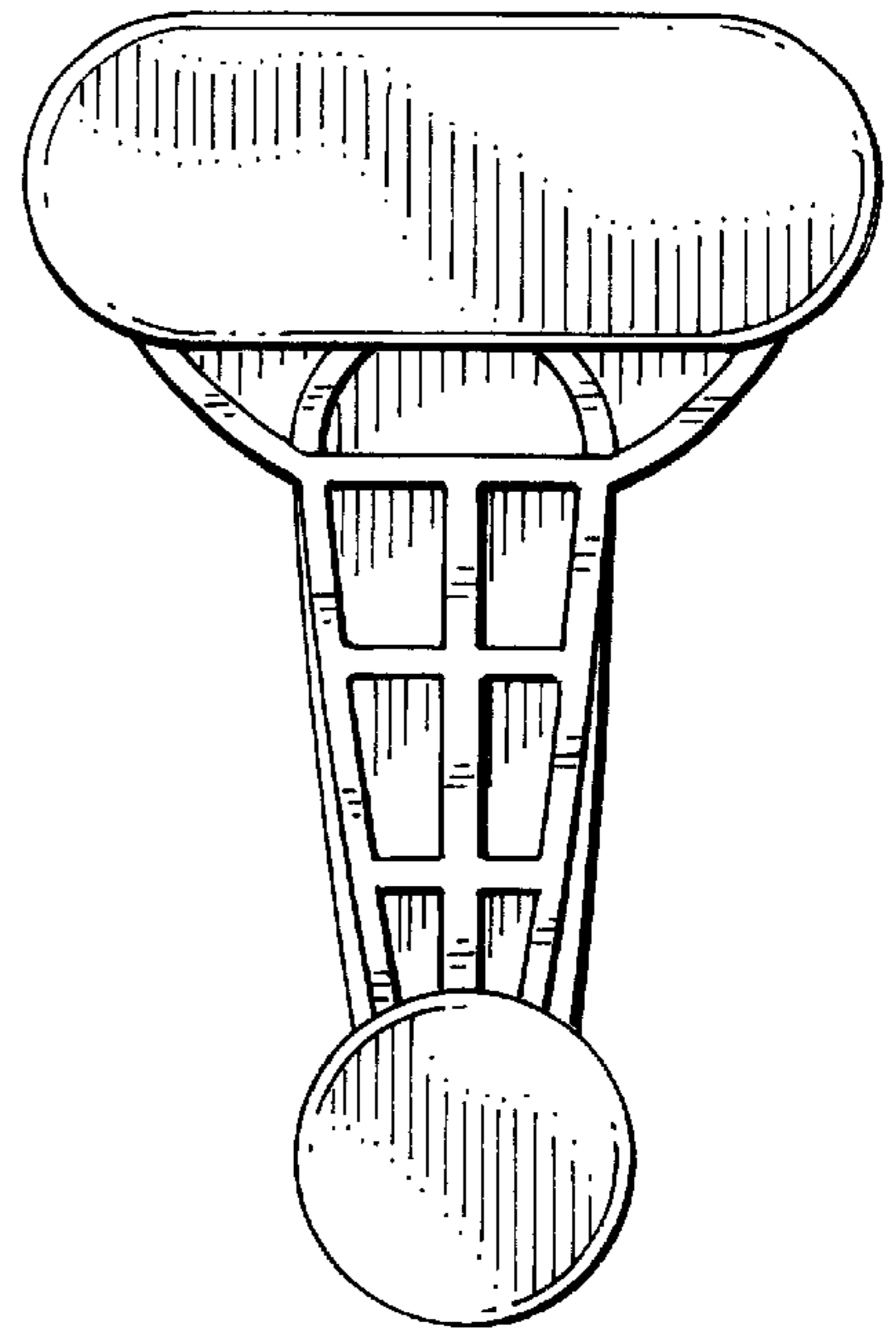


FIG. 3

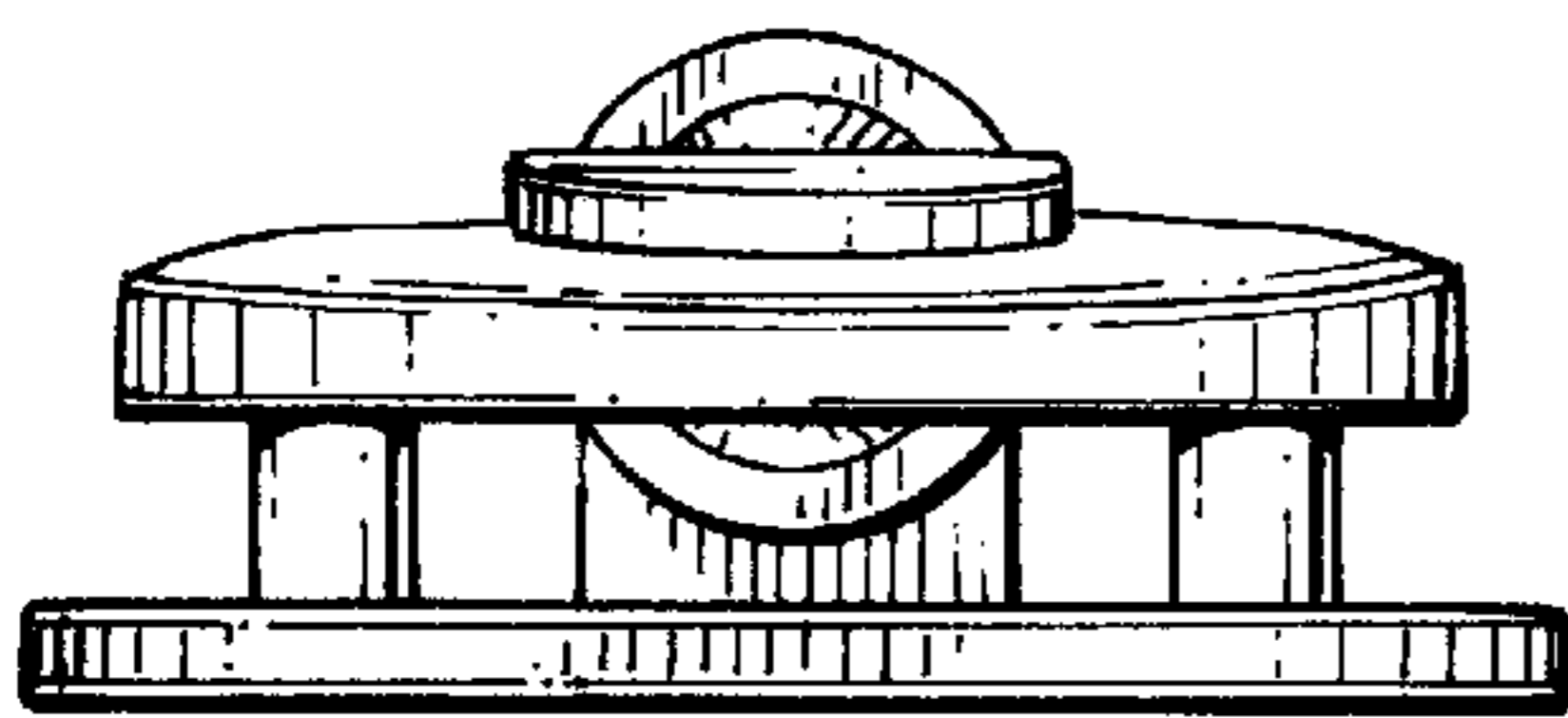


FIG. 5

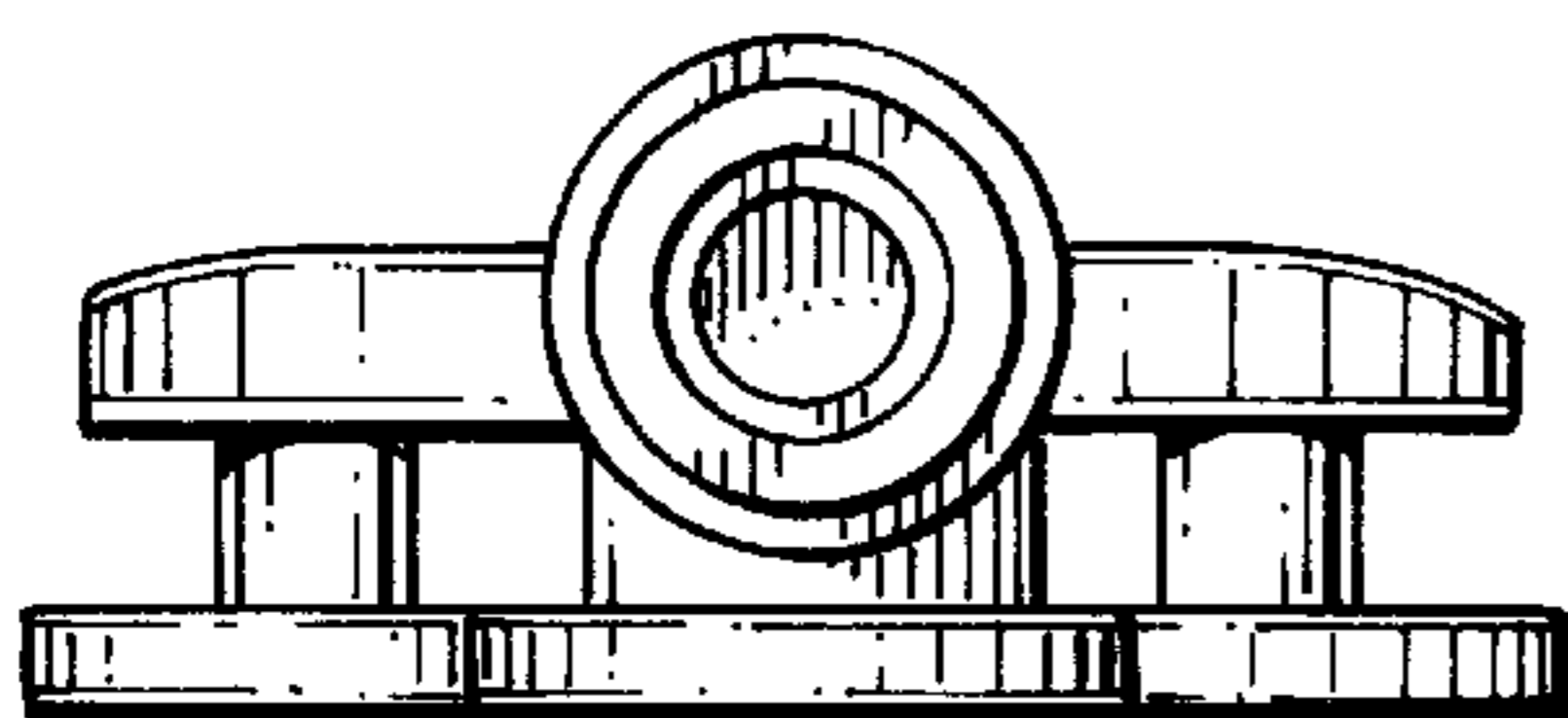


FIG. 6