



US00D401487S

# United States Patent [19]

[11] **Patent Number: Des. 401,487**

**Price**

[45] **Date of Patent: \*\*Nov. 24, 1998**

[54] **STAPLER**

### OTHER PUBLICATIONS

[75] Inventor: **Scott D. Price**, Singapore, Singapore

Hardware Age, p. 48, Feb. 1986.

[73] Assignee: **Black & Decker Inc.**, Newark, Del.

*Primary Examiner*—Ted Shooman

*Assistant Examiner*—Adir Aronovich

[\*\*] Term: **14 Years**

*Attorney, Agent, or Firm*—Bruce S. Shapiro; Dennis A. Dearing; John D. Del Ponti

[21] Appl. No.: **71,231**

### [57] CLAIM

[22] Filed: **May 23, 1997**

The ornamental design for a stapler, as shown and described.

[51] **LOC (6) Cl.** ..... **19-02**

### DESCRIPTION

[52] **U.S. Cl.** ..... **D8/49**

[58] **Field of Search** ..... D8/49, 50, 61,  
D8/69; 227/131, 132, 127, 128, 134

FIG. 1 is a front perspective view of a stapler showing my new design;

FIG. 2 is a front elevational view thereof;

FIG. 3 is a rear elevational view thereof;

FIG. 4 is a left side elevational view thereof;

FIG. 5 is a right side elevational view thereof;

FIG. 6 is a bottom plan view thereof; and,

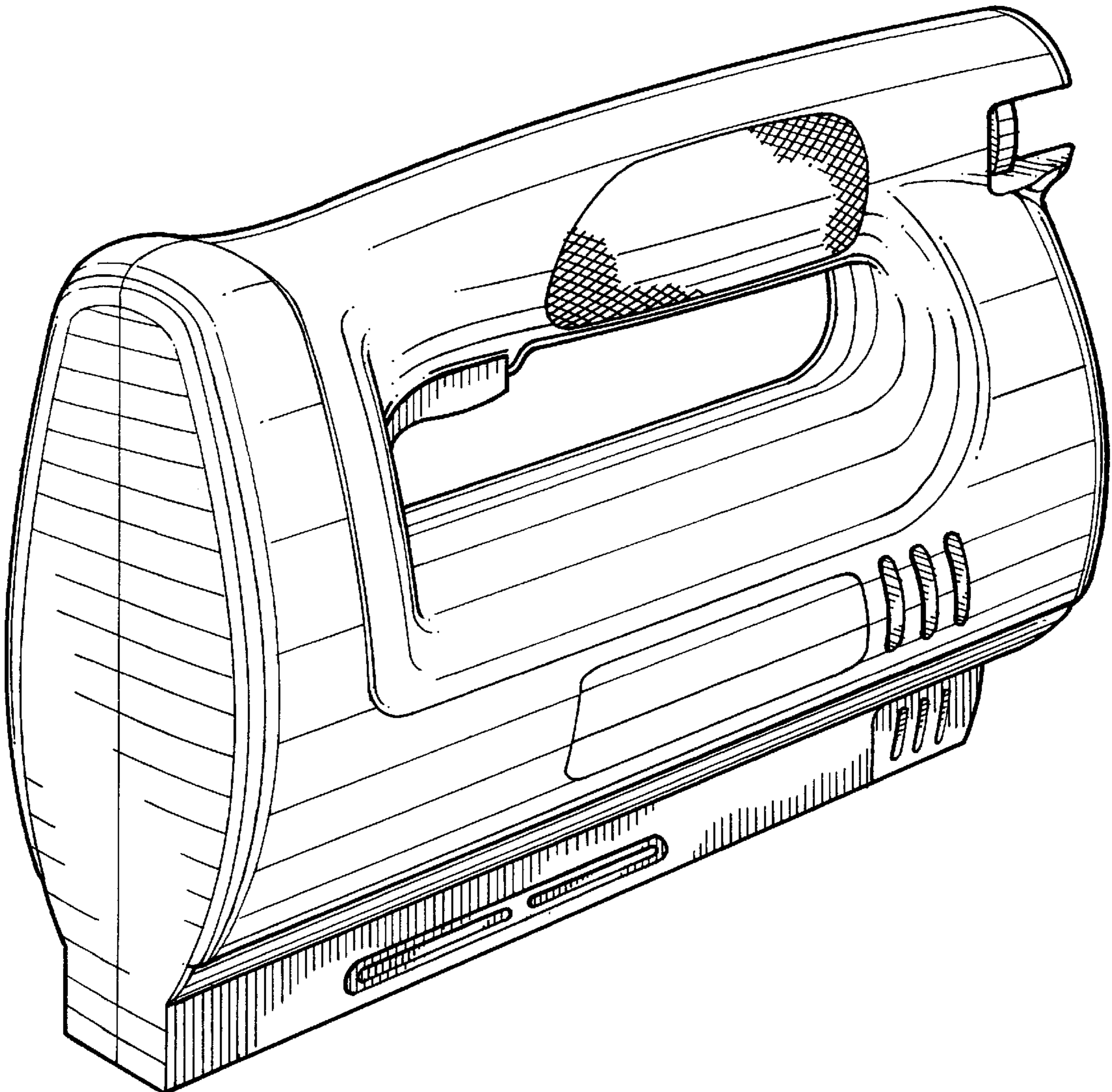
FIG. 7 is a top plan view thereof.

### [56] References Cited

#### U.S. PATENT DOCUMENTS

D. 330,601	10/1992	Wingert	.....	D8/49
D. 360,566	7/1995	Marks et al.	.....	D8/49
D. 376,523	12/1996	Arai	.....	D8/49
4,629,108	12/1986	Judge	.....	227/132

**1 Claim, 5 Drawing Sheets**



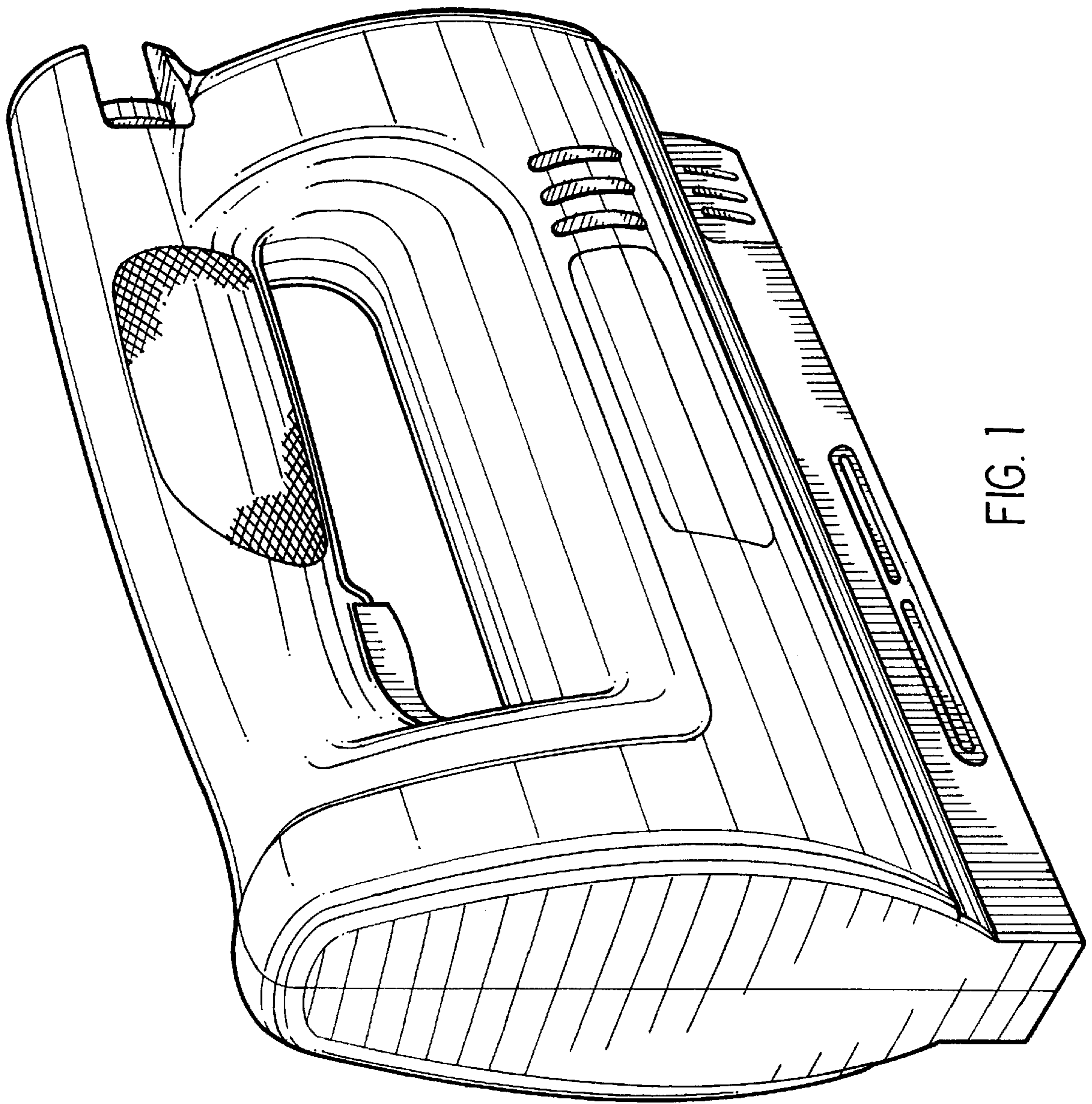


FIG. 1

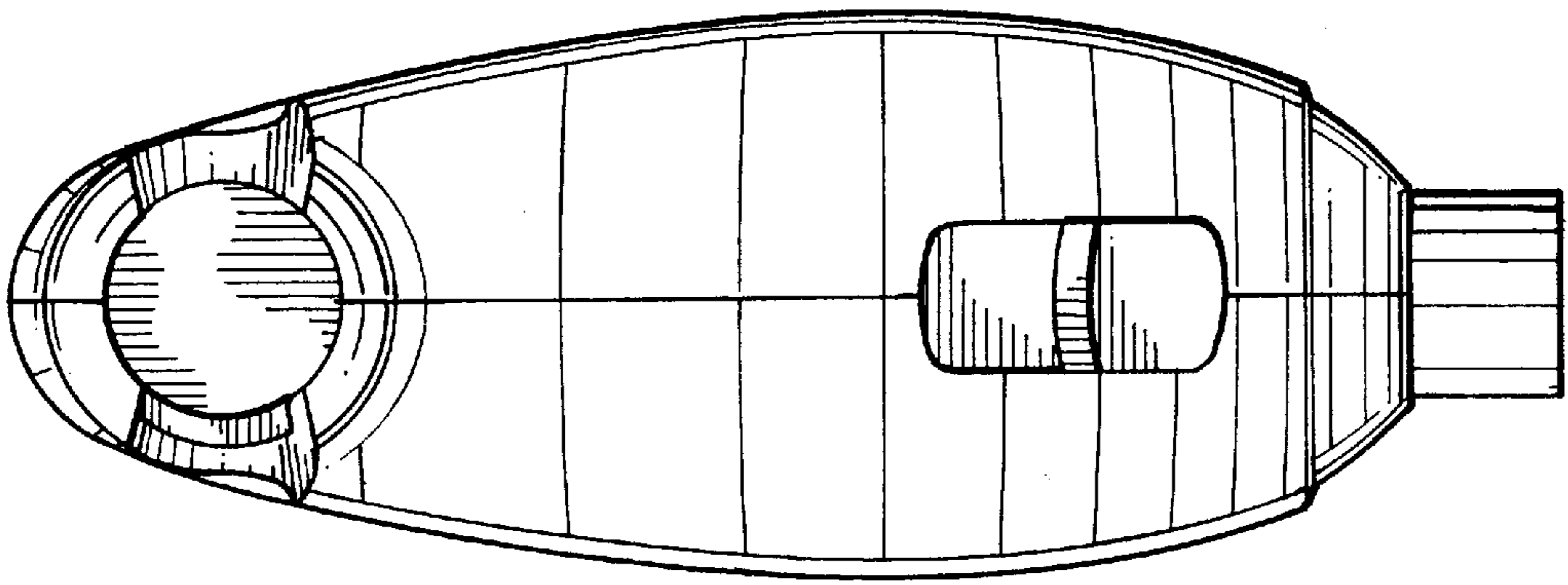


FIG. 3

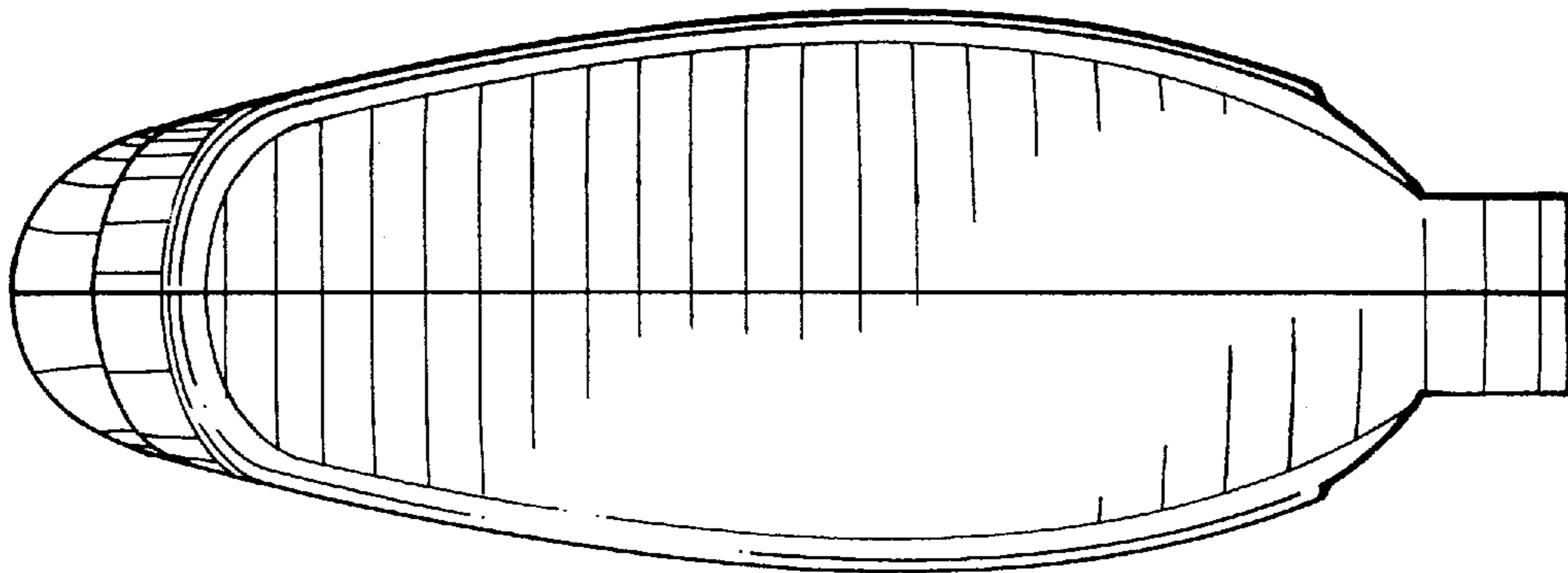


FIG. 2

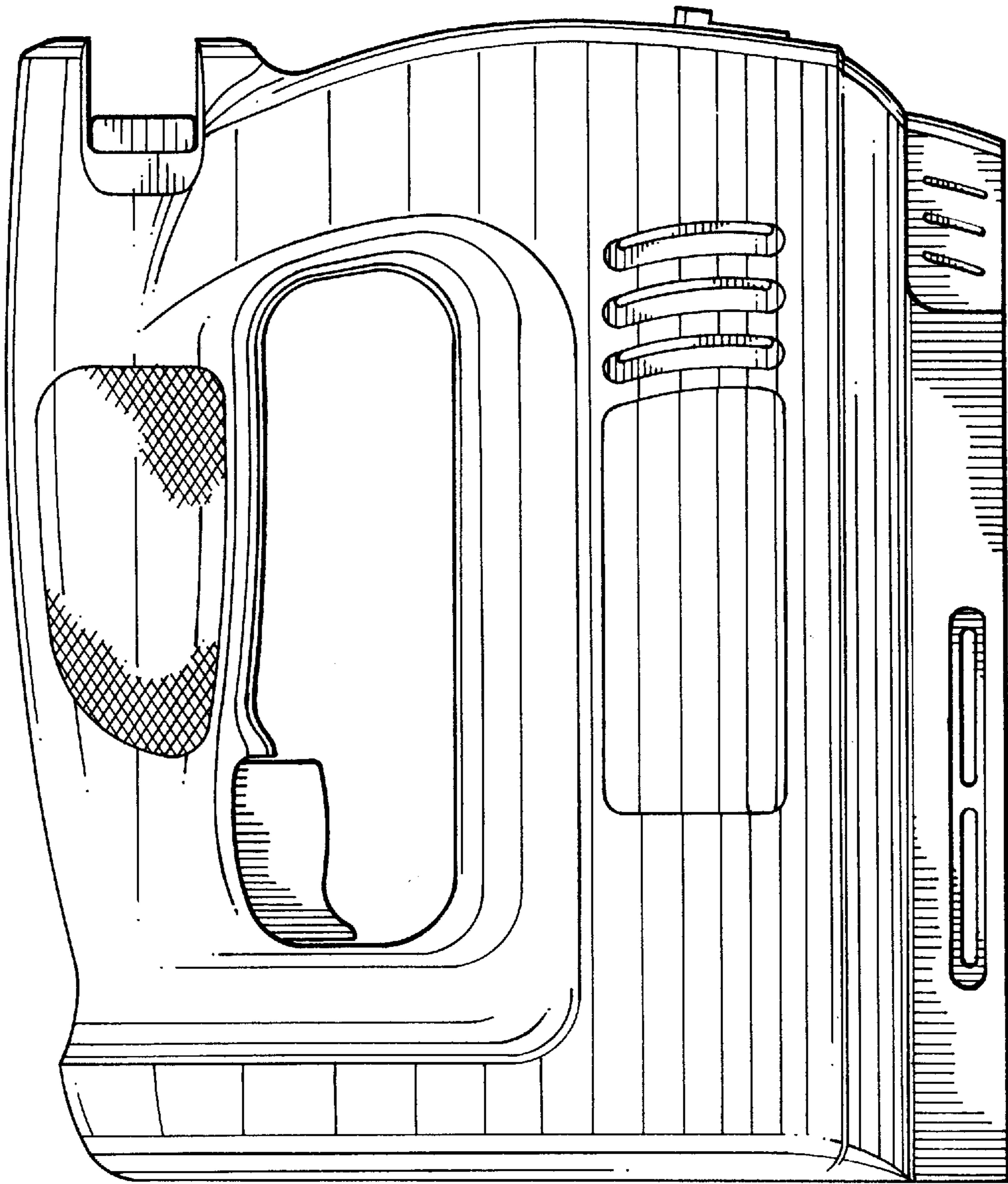


FIG. 4

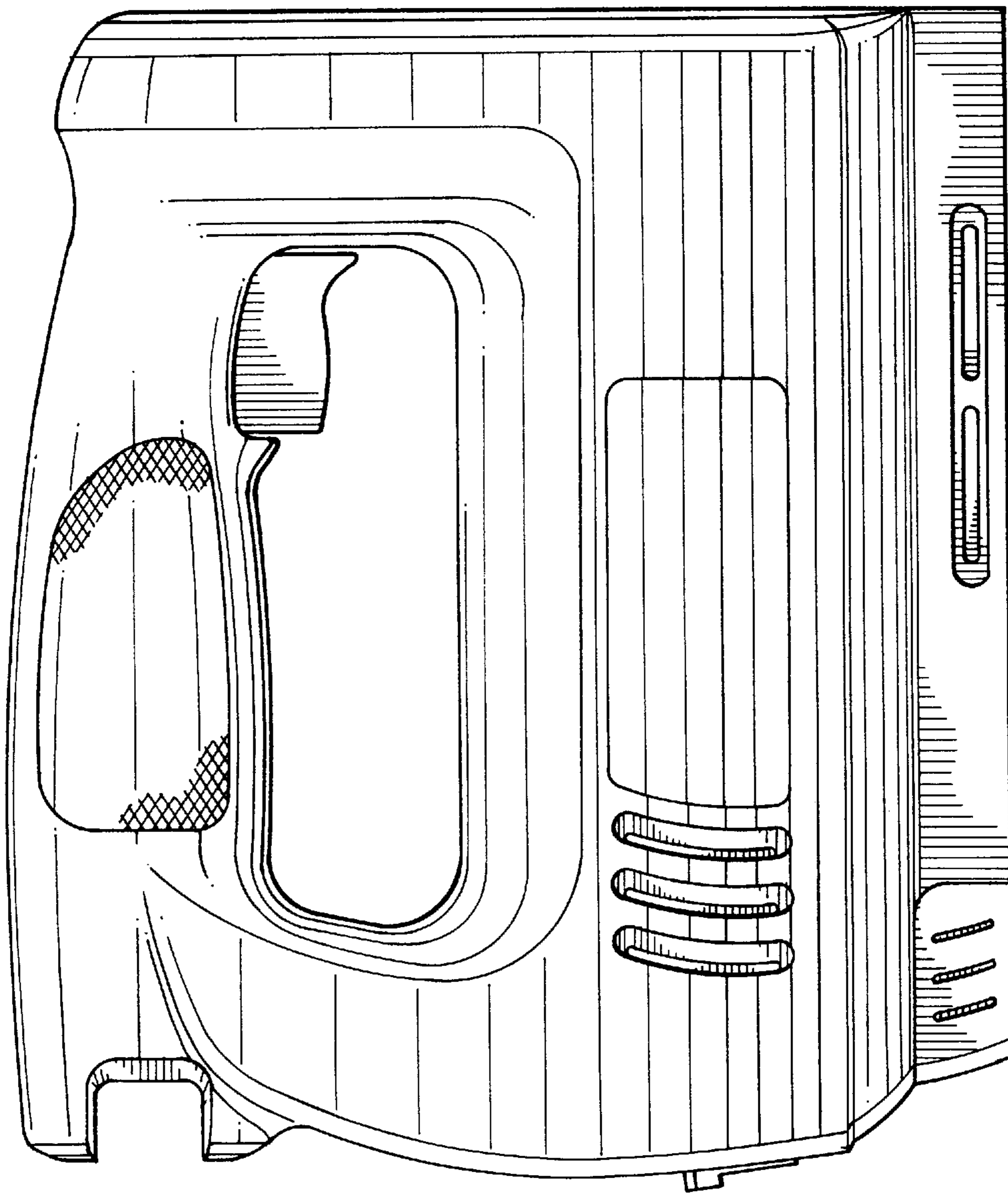


FIG. 5

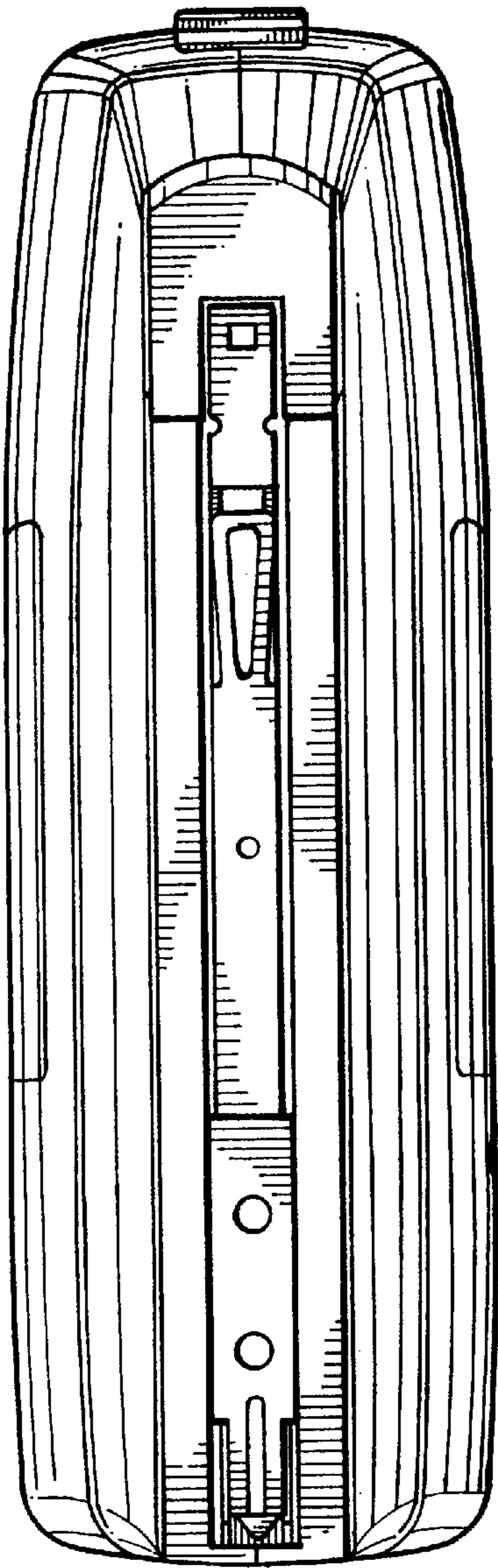


FIG. 6

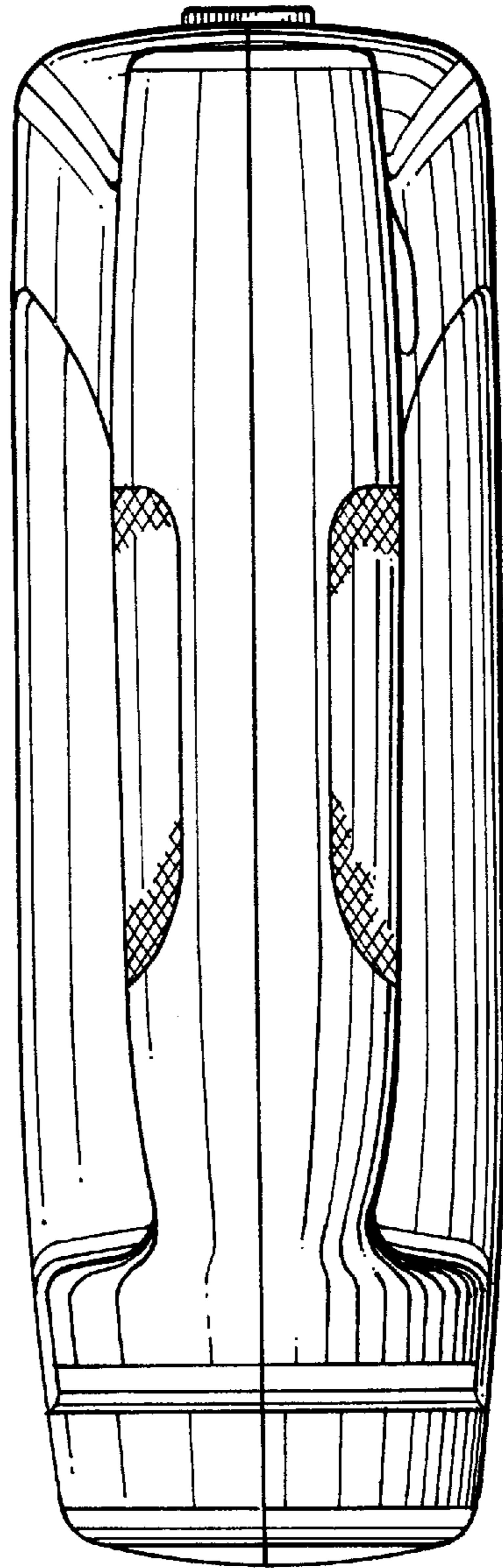


FIG. 7