



US00D401485S

United States Patent [19]
Liao

[11] **Patent Number: Des. 401,485**

[45] **Date of Patent: **Nov. 24, 1998**

[54] **RATCHET LOPPER**

[75] Inventor: **Dick Liao**, Bridgewater, Mass.

[73] Assignee: **Greenlife, Inc.**, Bridgewater, Mass.

[**] Term: **14 Years**

[21] Appl. No.: **81,426**

[22] Filed: **Jan. 2, 1998**

[51] **LOC (6) Cl. 08-01**

[52] **U.S. Cl. D8/5**

[58] **Field of Search D8/4, 5; 30/276,**
30/251-253, 254, 260-262

[56] **References Cited**

U.S. PATENT DOCUMENTS

D. 347,556	6/1994	Choi	D8/5
D. 356,719	3/1995	Choi	D8/5
D. 357,390	4/1995	Thompson	D8/5

Primary Examiner—Holly Baynham
Attorney, Agent, or Firm—Salter & Michaelson

[57] **CLAIM**

The ornamental design for a ratchet lopper, as shown and described.

DESCRIPTION

FIG. 1 is a perspective view of a ratchet lopper showing my new design;

FIG. 2 is a front view thereof;

FIG. 3 is a rear view thereof;

FIG. 4 is a right side view thereof;

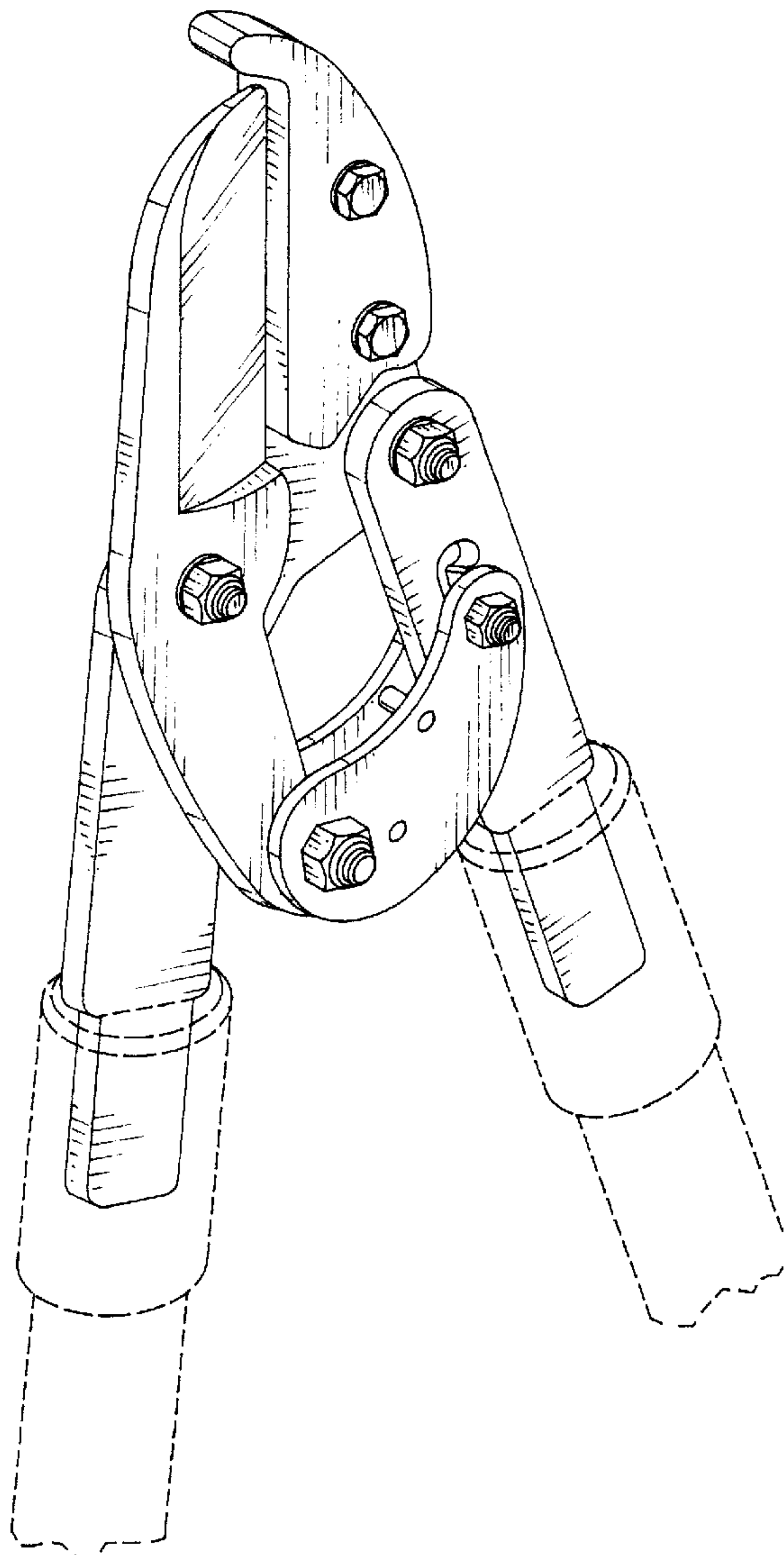
FIG. 5 is a left side view thereof;

FIG. 6 is a top plan view thereof; and,

FIG. 7 is a bottom plan view thereof.

The broken line showing of a fragmented handle is for illustrative purposes only and forms no part of the claimed design.

1 Claim, 3 Drawing Sheets



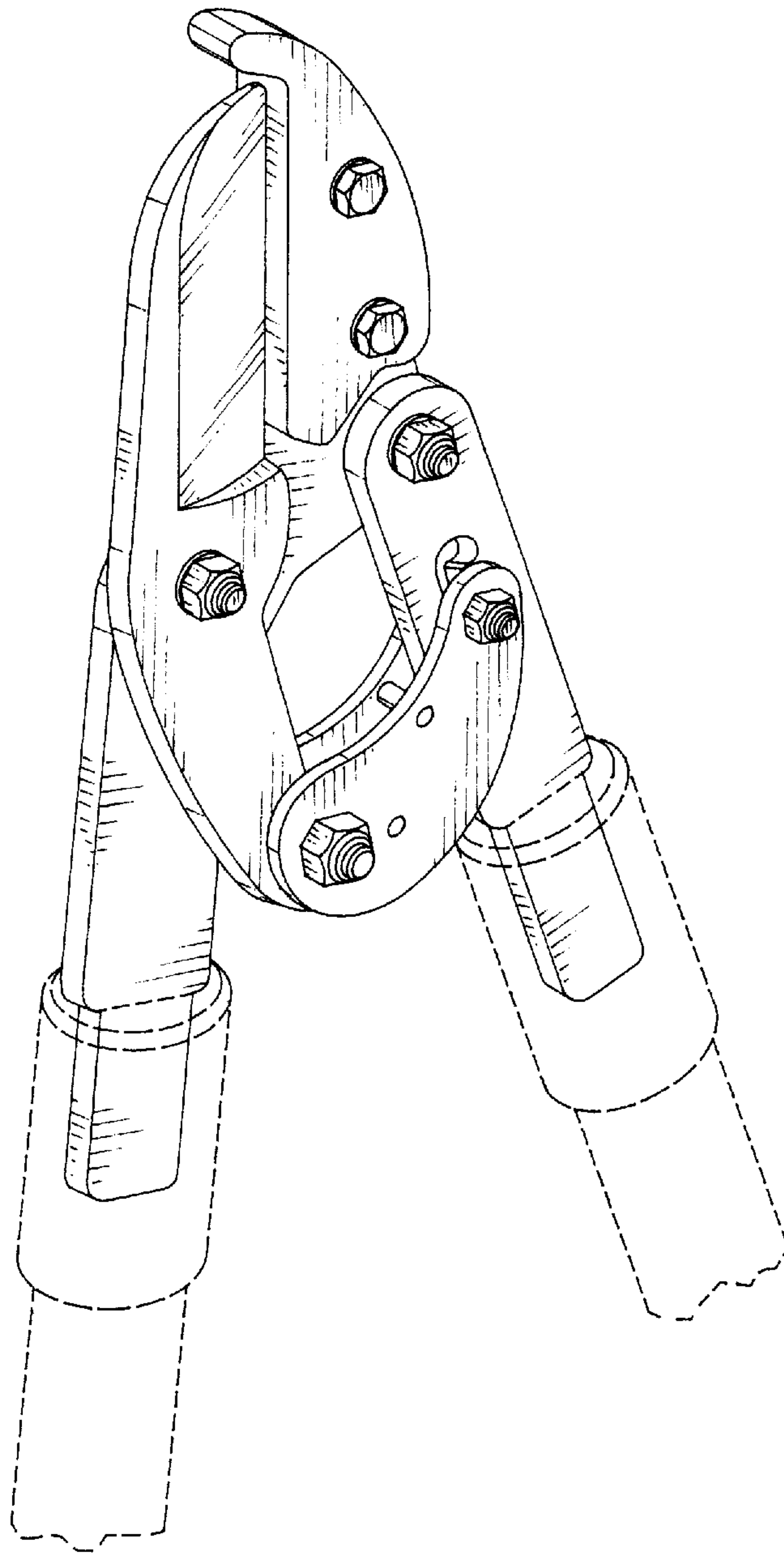


FIG. 1

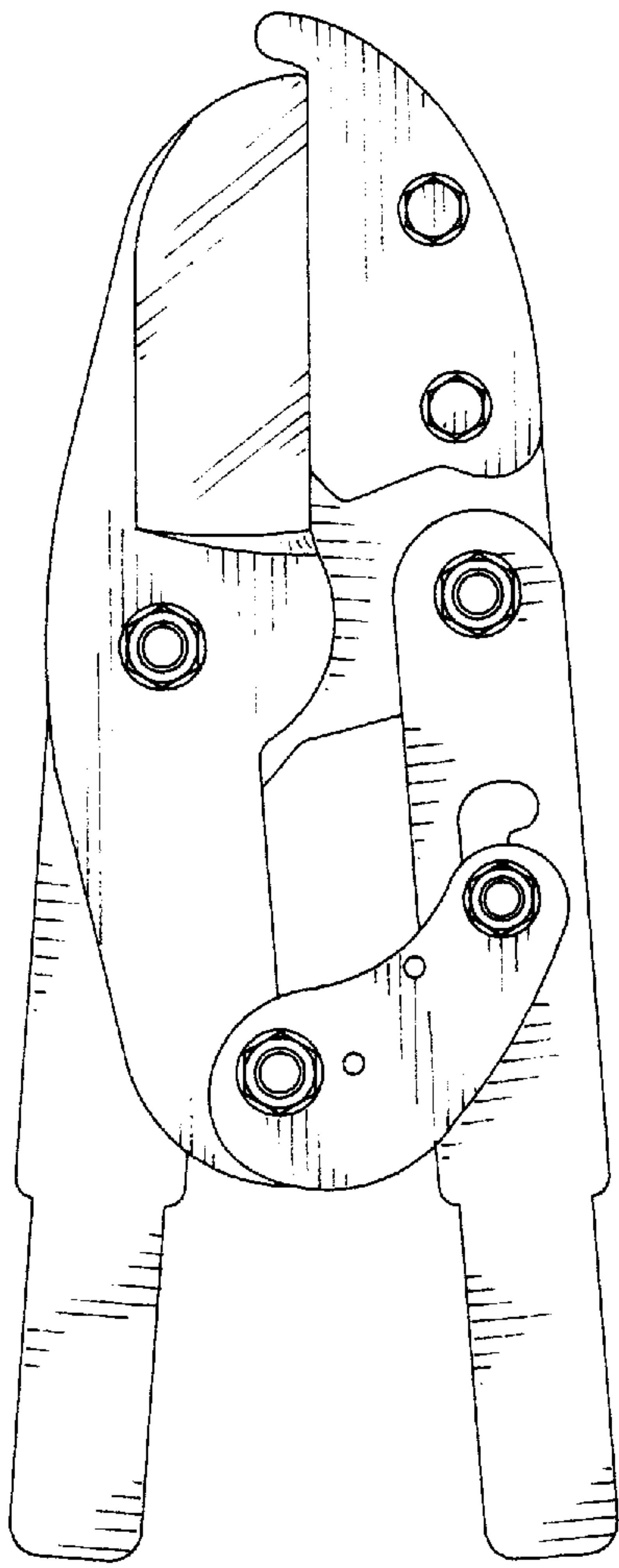


FIG. 2

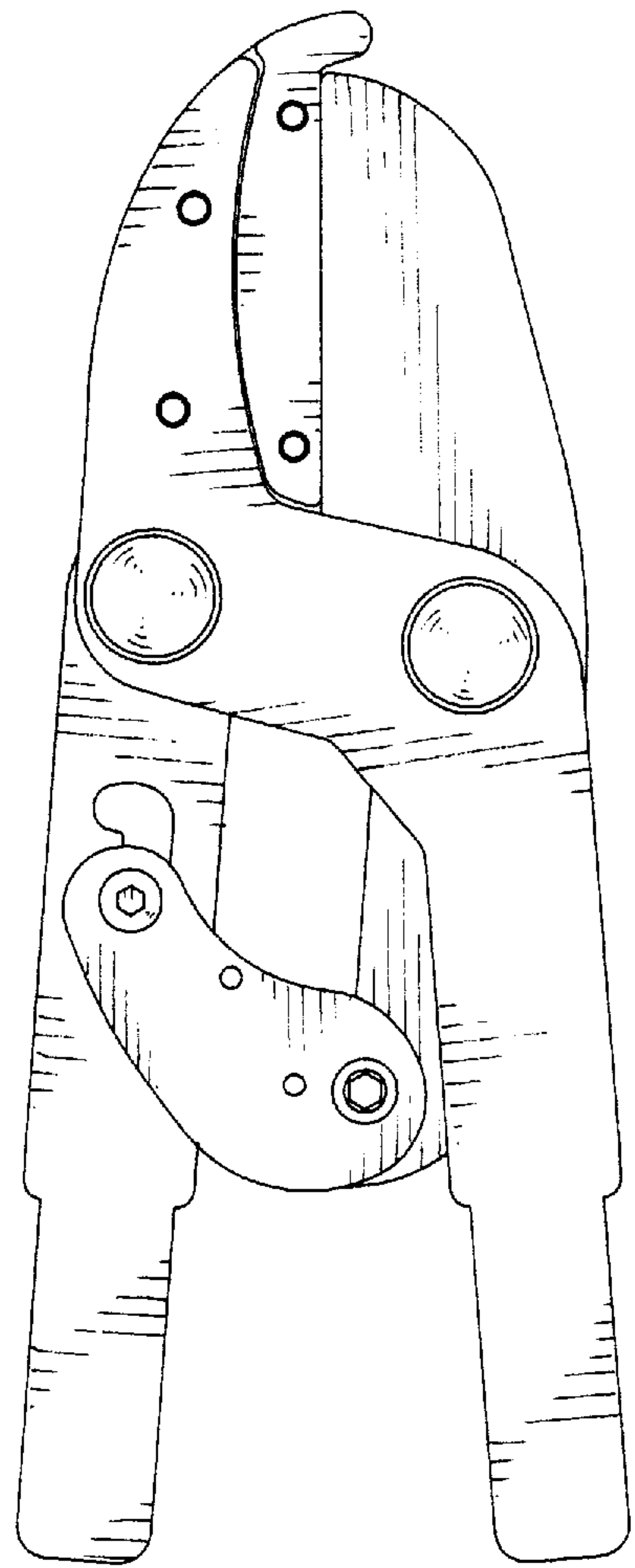


FIG. 3

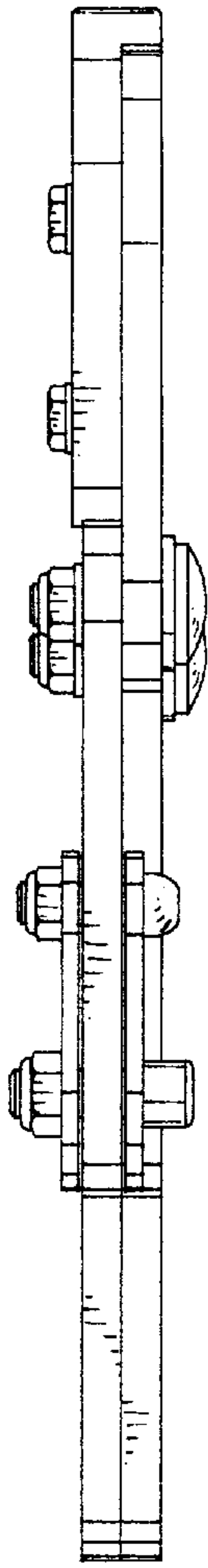


FIG. 4

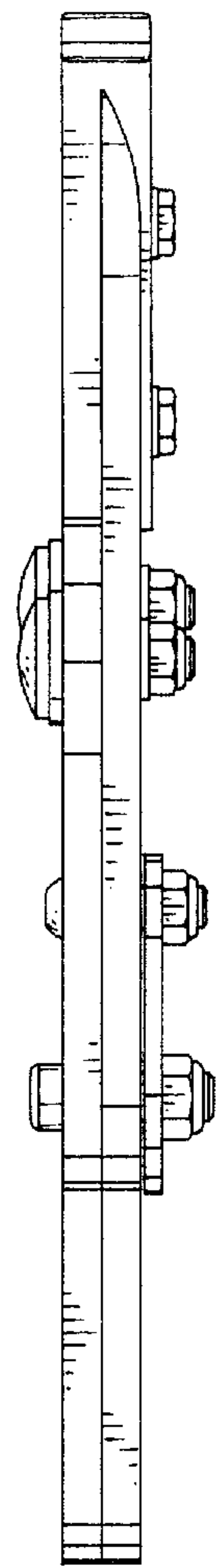


FIG. 5

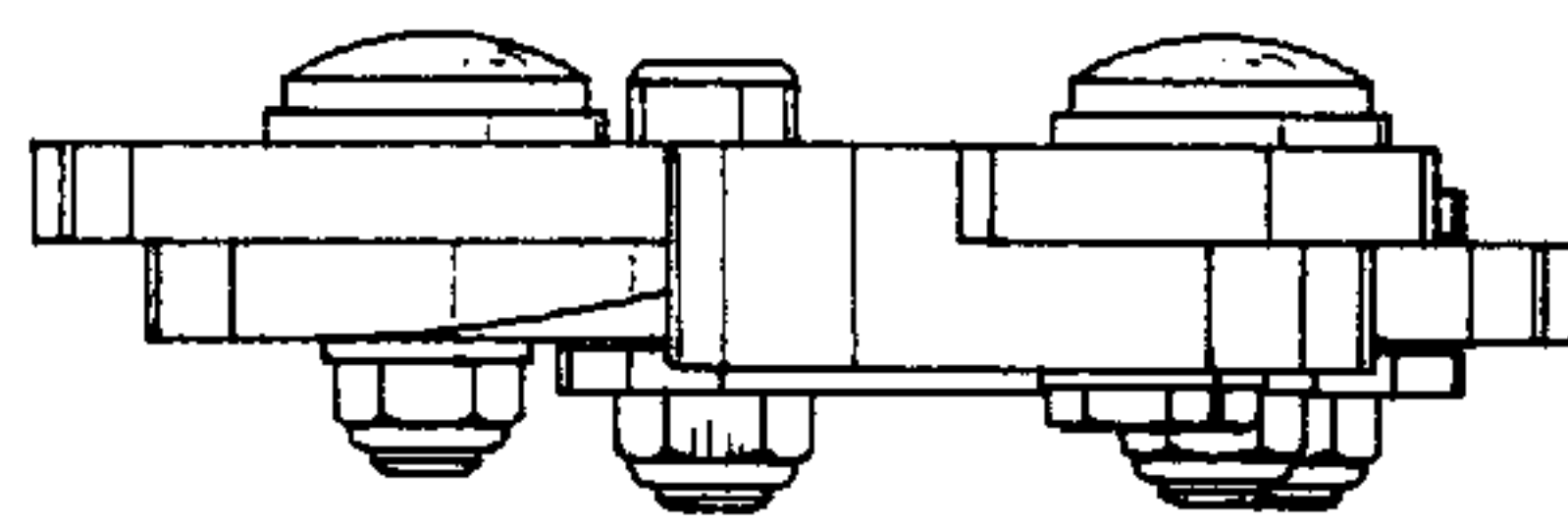


FIG. 6

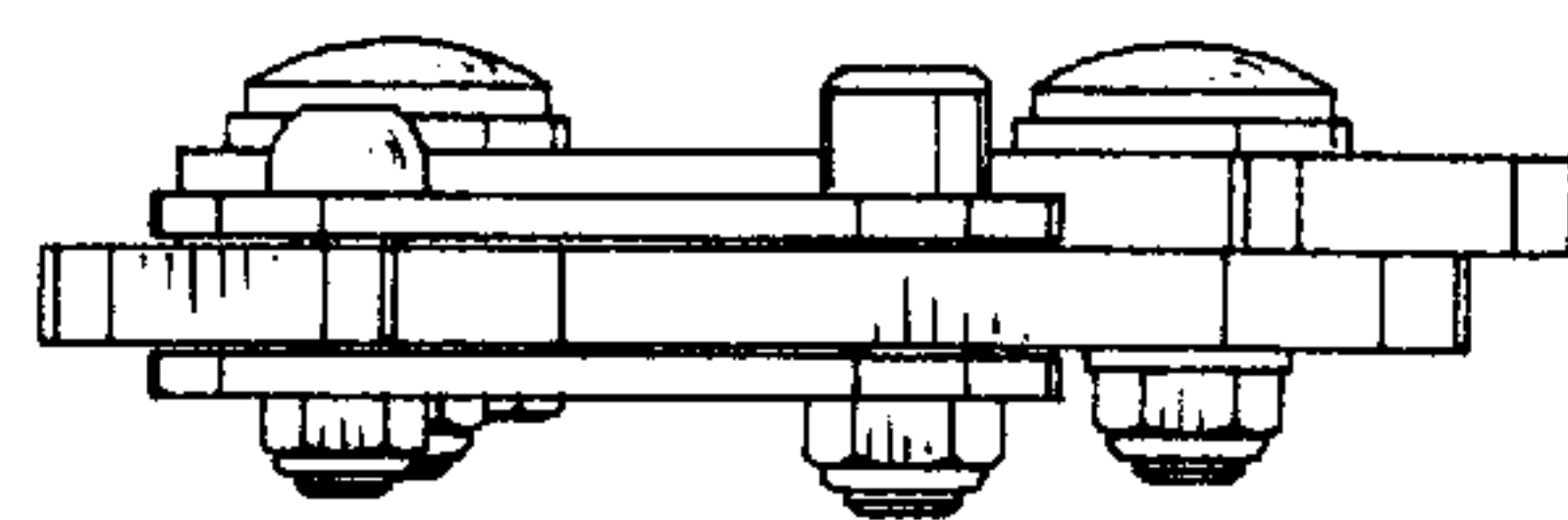


FIG. 7