



US00D401484S

**United States Patent** [19]  
**Hardison**

[11] **Patent Number: Des. 401,484**

[45] **Date of Patent: \*\*\*Nov. 24, 1998**

[54] **SUPPORT FOR LAWN AND GARDEN ORNAMENTS**

4,991,344 2/1991 Carney ..... 47/39  
5,037,049 8/1991 Funk ..... 47/39 X  
5,487,476 1/1996 Barfield ..... D6/405 X

[76] Inventor: **Stewart Hardison**, P.O. Box 333,  
Bainbridge, N.Y. 13733

*Primary Examiner*—Doris V. Coles  
*Attorney, Agent, or Firm*—Richard G. Stephens

[ \* ] Notice: The term of this patent shall not extend beyond the expiration date of Pat. No. Des. 392,853.

[57] **CLAIM**

[\*\*] Term: **14 Years**

The ornamental design for a support for lawn and garden ornaments, as shown.

[21] Appl. No.: **71,349**

**DESCRIPTION**

[22] Filed: **May 28, 1997**

FIG. 1 is a front elevation view of a support for lawn and garden ornaments showing my new design;  
FIG. 2 is a right side elevation view thereof;  
FIG. 3 is a rear elevation view thereof;  
FIG. 4 is a left side elevation view thereof;  
FIG. 5 is a top view thereof; and,  
FIG. 6 is a bottom view thereof.

[51] **LOC (6) Cl.** ..... **08-99**

[52] **U.S. Cl.** ..... **D8/1**

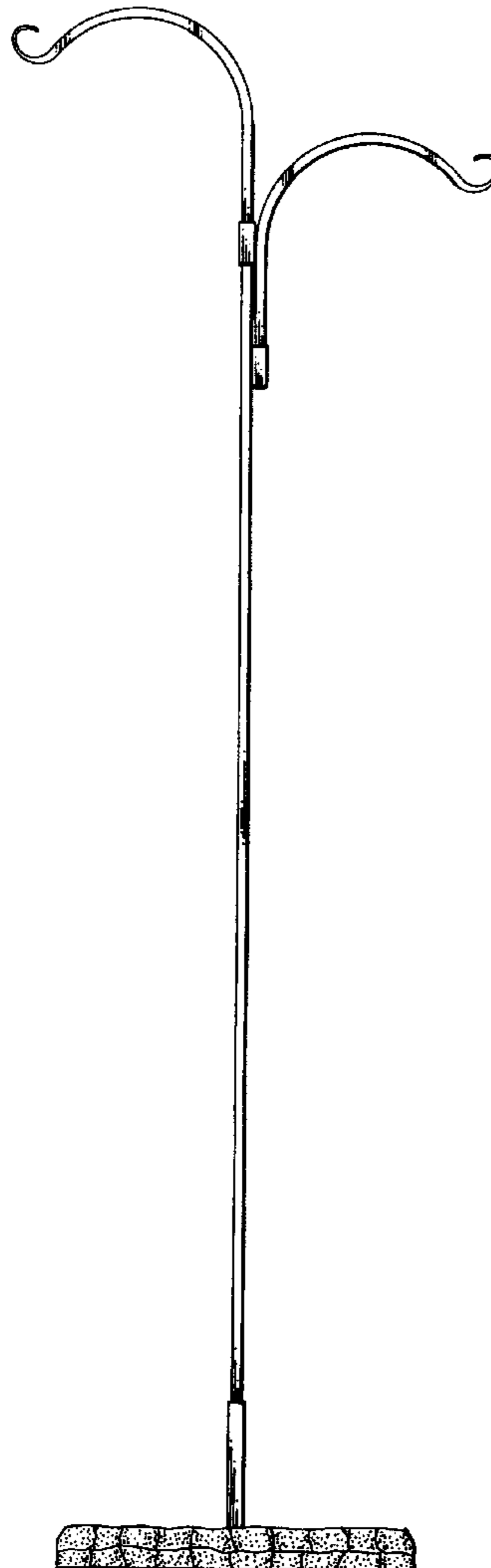
[58] **Field of Search** ..... D8/1; D6/403, D6/405; D11/148; 211/71, 196, 205; 47/39, 41.01; 248/159, 167

[56] **References Cited**

**U.S. PATENT DOCUMENTS**

2,794,554 6/1957 Donner ..... D11/148 X

**1 Claim, 3 Drawing Sheets**



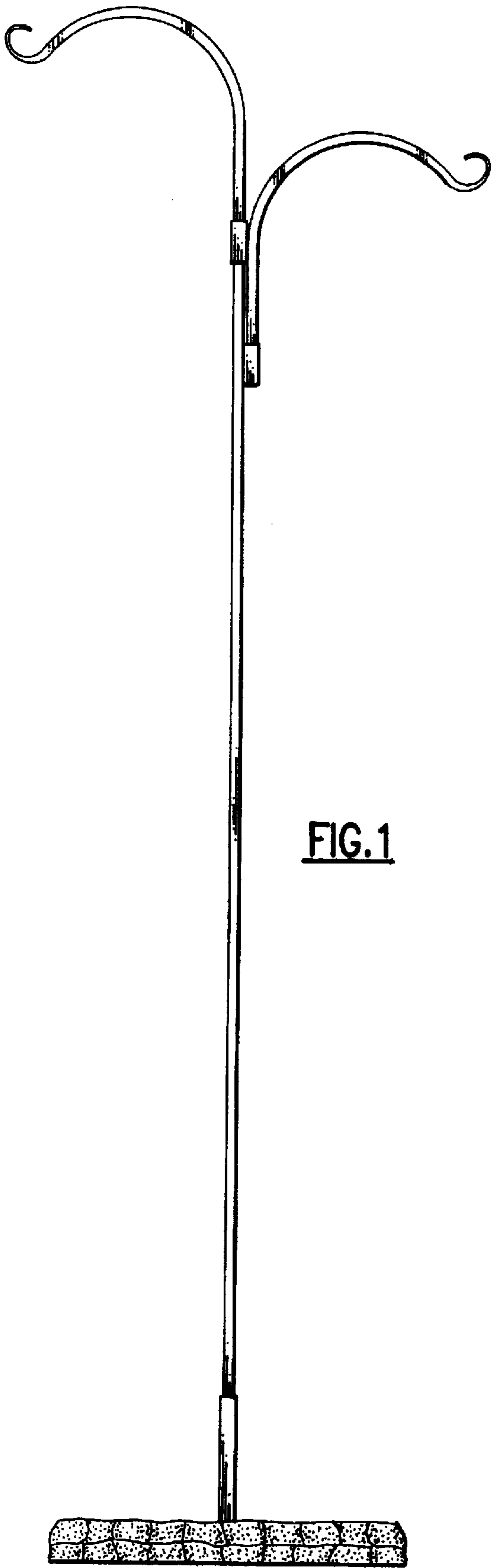


FIG. 1

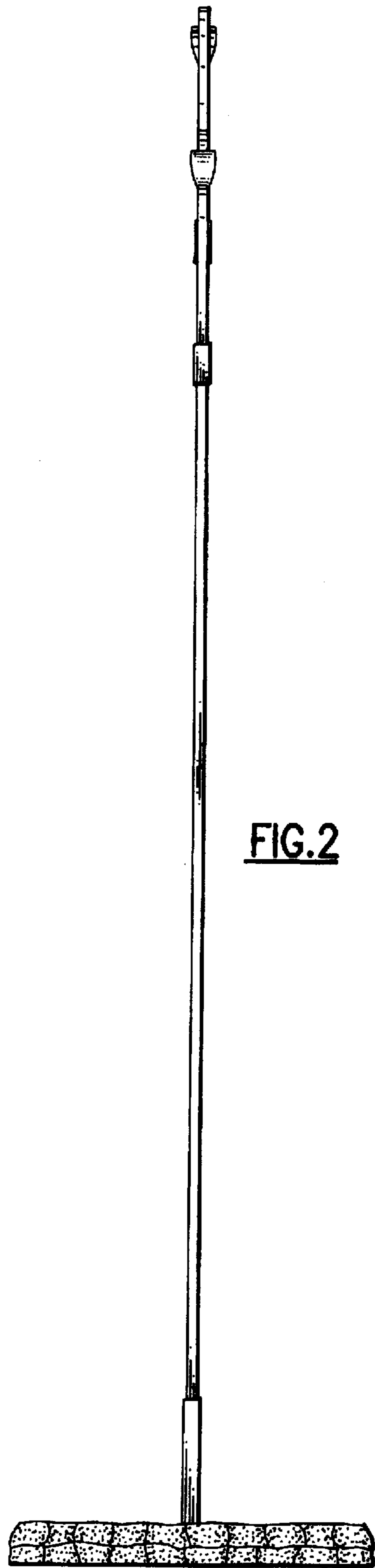
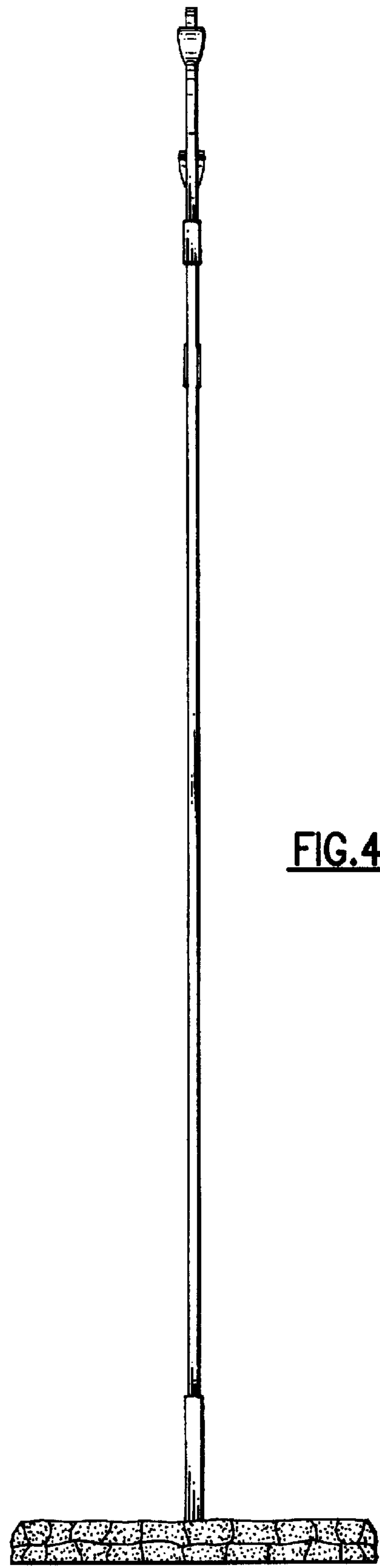
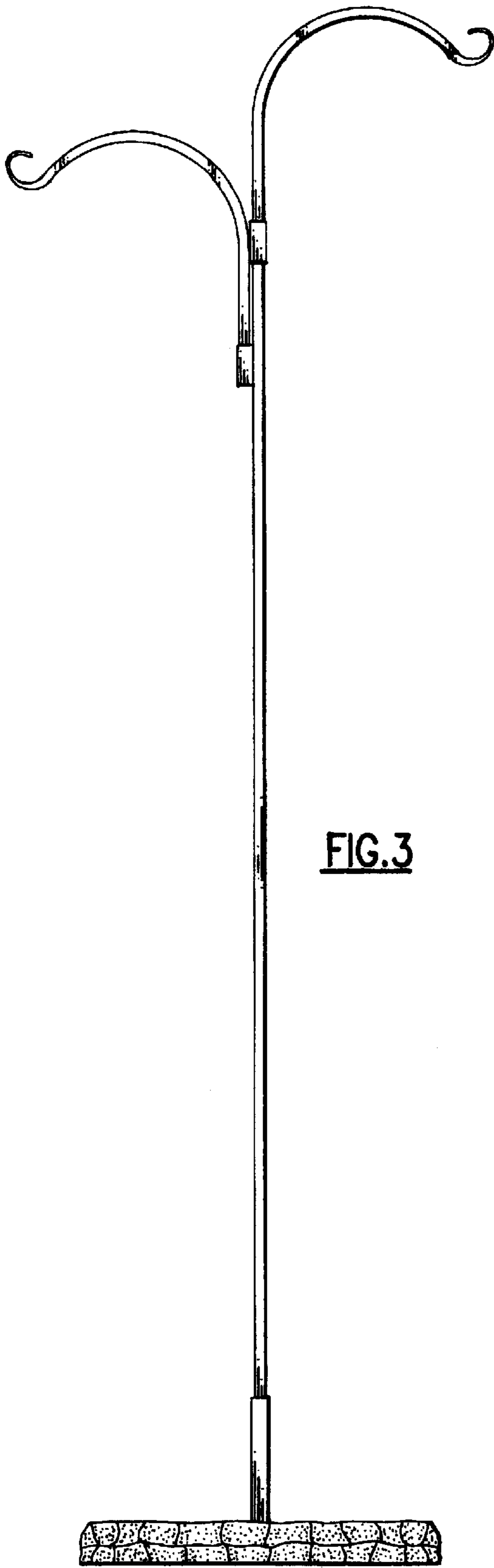


FIG. 2



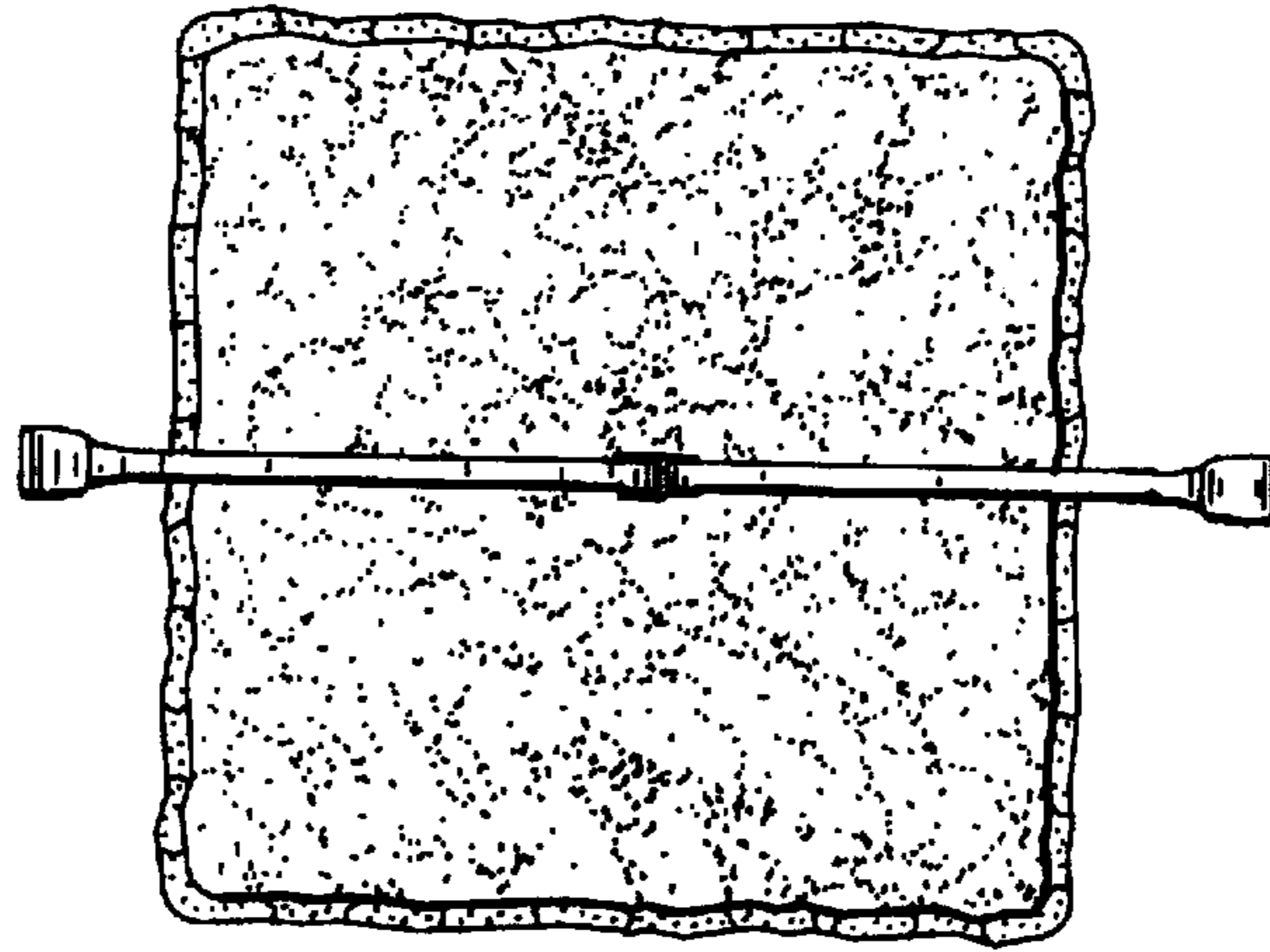


FIG. 5

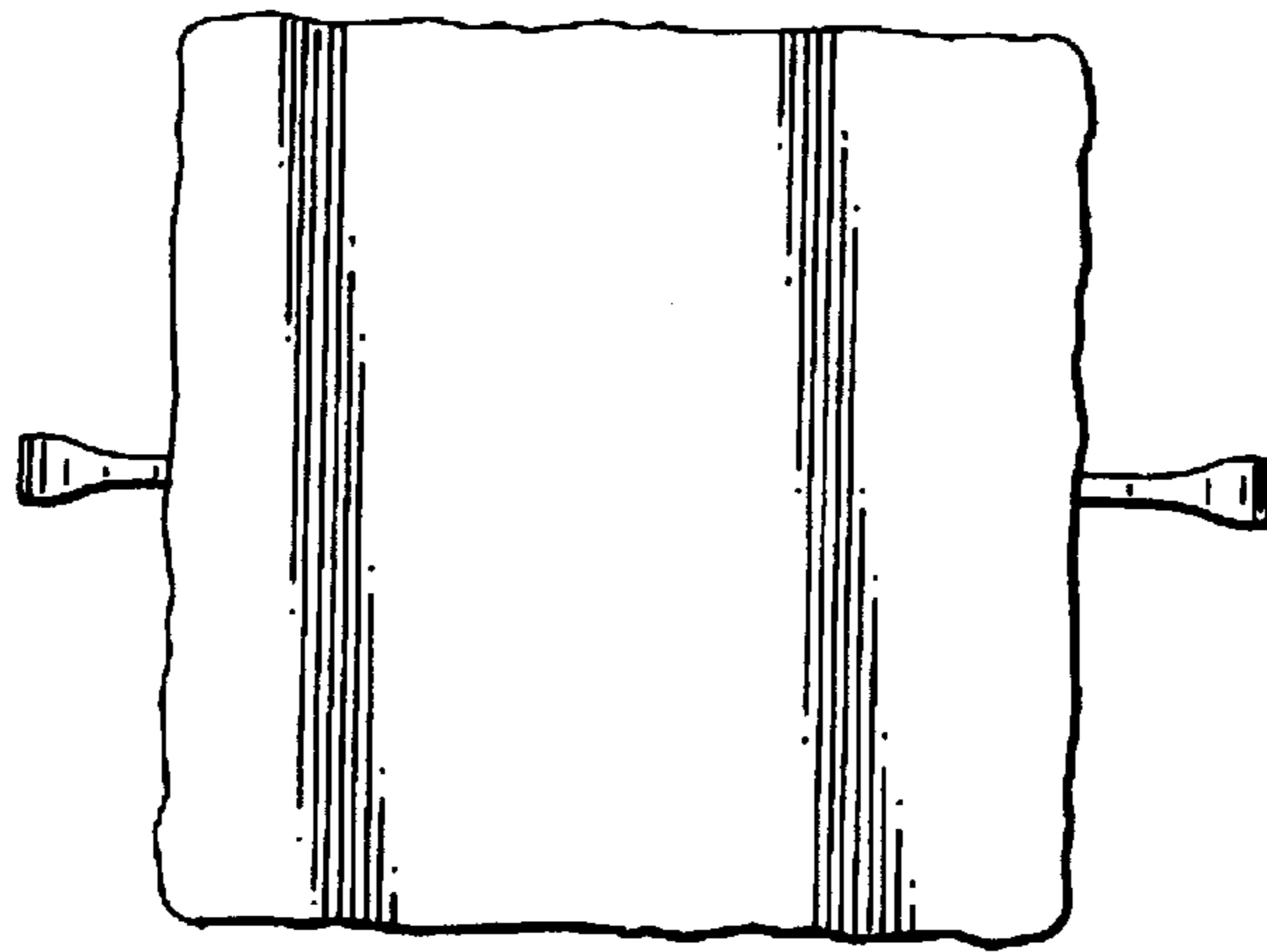


FIG. 6