



US00D401481S

United States Patent [19]

[11] **Patent Number: Des. 401,481**

Boilard et al.

[45] **Date of Patent: **Nov. 24, 1998**

[54] **UTENSILS**

[75] Inventors: **Michel Boilard**, Sherbrooke; **André Côté**, Montréal; **Patrick Allen**, Lasalle, all of Canada

[73] Assignee: **Air Transat**, Mirabel, Canada

[**] Term: **14 Years**

[21] Appl. No.: **79,774**

[22] Filed: **Nov. 25, 1997**

[51] **LOC (6) Cl.** **07-03**

[52] **U.S. Cl.** **D7/643; D7/645**

[58] **Field of Search** D7/642, 643, 645, D7/649, 650, 652, 653, 662-664, 401.2; 30/142, 147, 148, 149, 150, 322, 324, 329, 340, 342-344

[56] **References Cited**

U.S. PATENT DOCUMENTS

34,069	1/1862	Neill	30/147
D. 177,740	5/1956	Latham	D7/652
D. 201,291	6/1965	Varkala	D7/663
D. 209,704	12/1967	Siune	D7/653
D. 209,712	12/1967	Zoeller et al.	D7/653 X
D. 220,205	3/1971	Saila	D7/643
5,327,650	7/1994	Rojas	30/147

Primary Examiner—Caron D. Veynar
Attorney, Agent, or Firm—Swabey Ogilvy Renault

[57] **CLAIM**

The ornamental design for “utensils”, as shown and described.

DESCRIPTION

FIG. 1 is a perspective view of a combined assembly of a

knife, a fork and a spoon of the utensils showing our new design;

FIG. 2 is a top plan view thereof;

FIG. 3 is a front elevational view thereof;

FIG. 4 is a bottom plan view thereof;

FIG. 5 is a rear elevational view thereof;

FIG. 6 is a left side view thereof;

FIG. 7 is a right side view thereof;

FIG. 8 is a perspective view of the knife shown separately for ease of illustration;

FIG. 9 is a top plan view thereof;

FIG. 10 is a front elevational view thereof;

FIG. 11 is a bottom plan view thereof;

FIG. 12 is a rear elevational view thereof;

FIG. 13 is a left side view thereof;

FIG. 14 is a right side view thereof;

FIG. 15 is a perspective view of the fork shown separately for ease of illustration;

FIG. 16 is a top plan view thereof;

FIG. 17 is a front elevational view thereof;

FIG. 18 is a bottom plan view thereof;

FIG. 19 is a rear elevational view thereof;

FIG. 20 is a left side view thereof;

FIG. 21 is a right side view thereof;

FIG. 22 is a perspective view of the spoon shown separately for ease of illustration;

FIG. 23 is a top plan view thereof;

FIG. 24 is a front elevational view thereof;

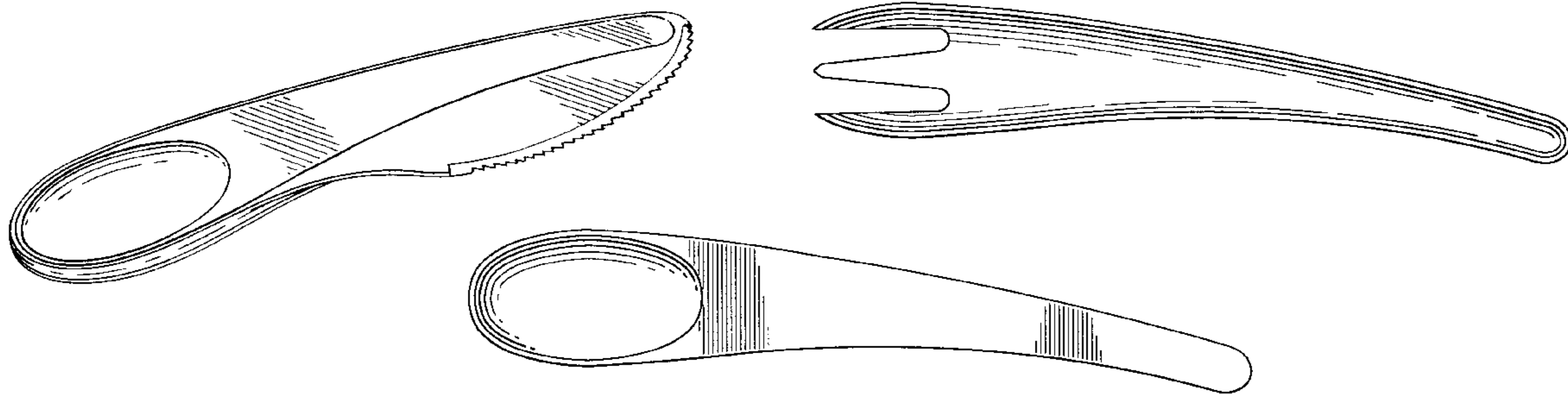
FIG. 25 is a bottom plan view thereof;

FIG. 26 is a rear elevational view thereof;

FIG. 27 is a left side view thereof; and,

FIG. 28 is a right side view thereof.

1 Claim, 4 Drawing Sheets



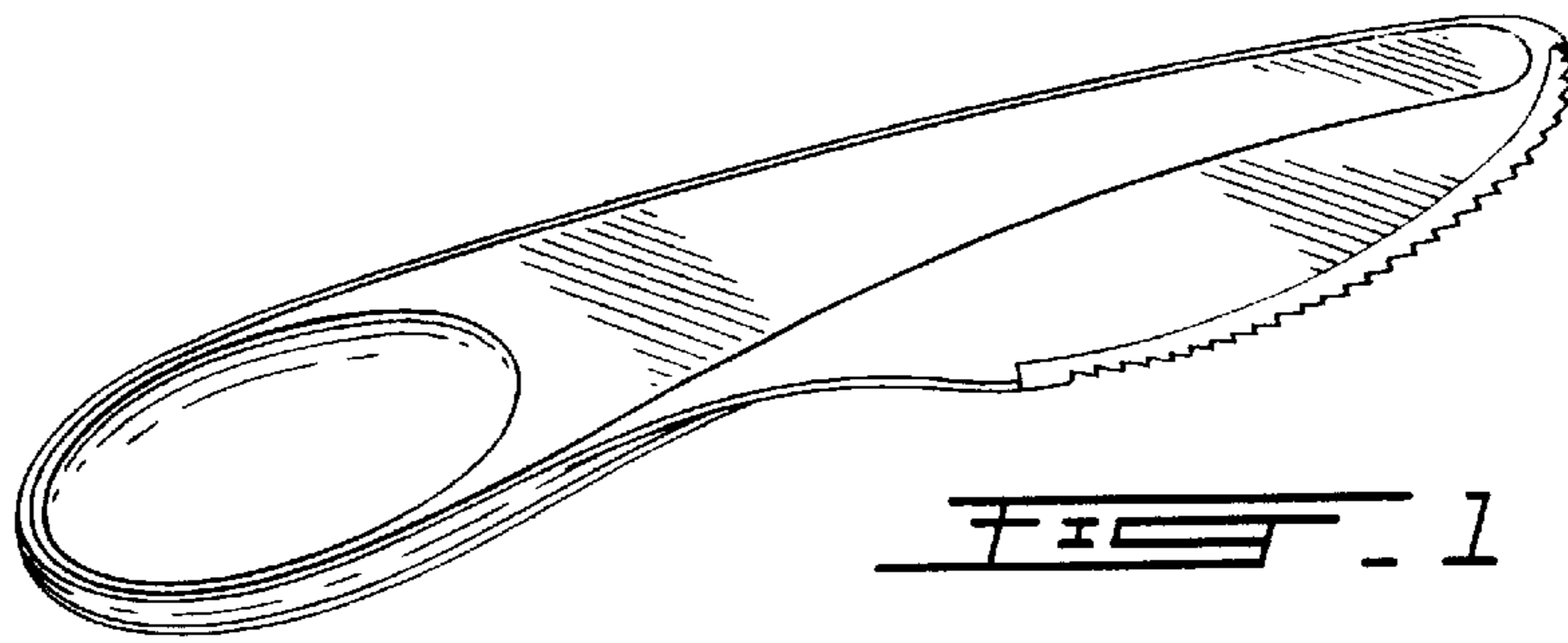


FIG. 1

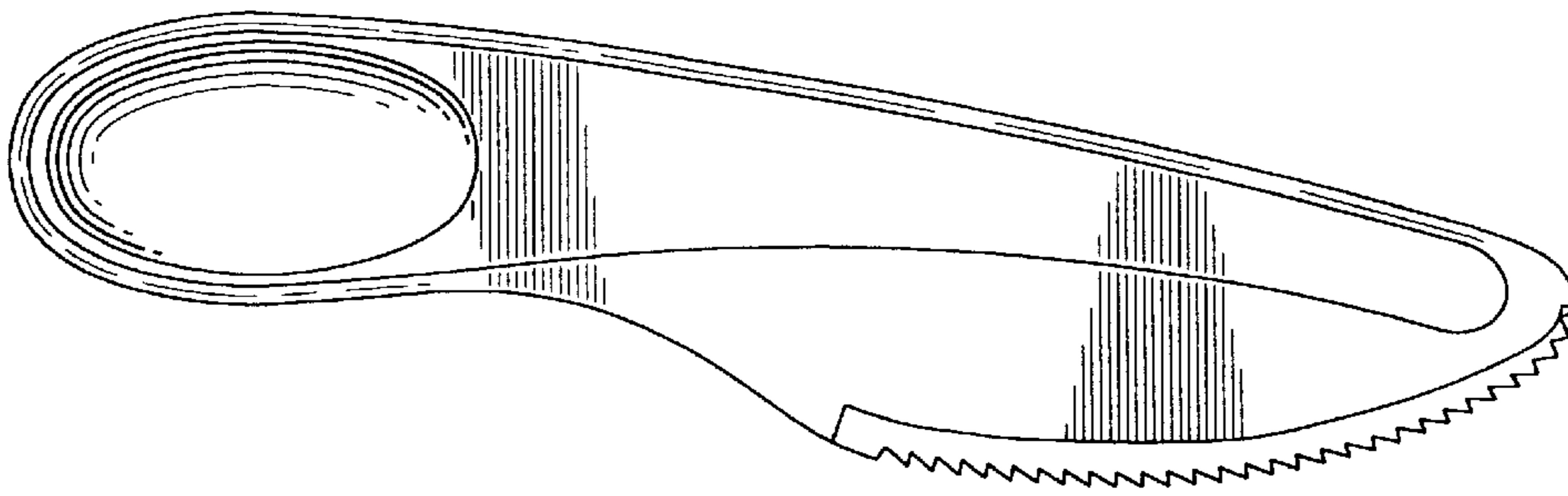


FIG. 2

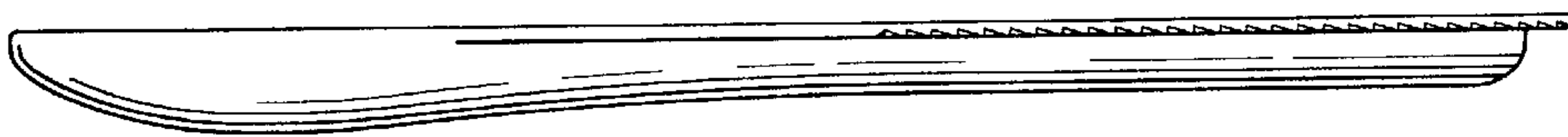


FIG. 3

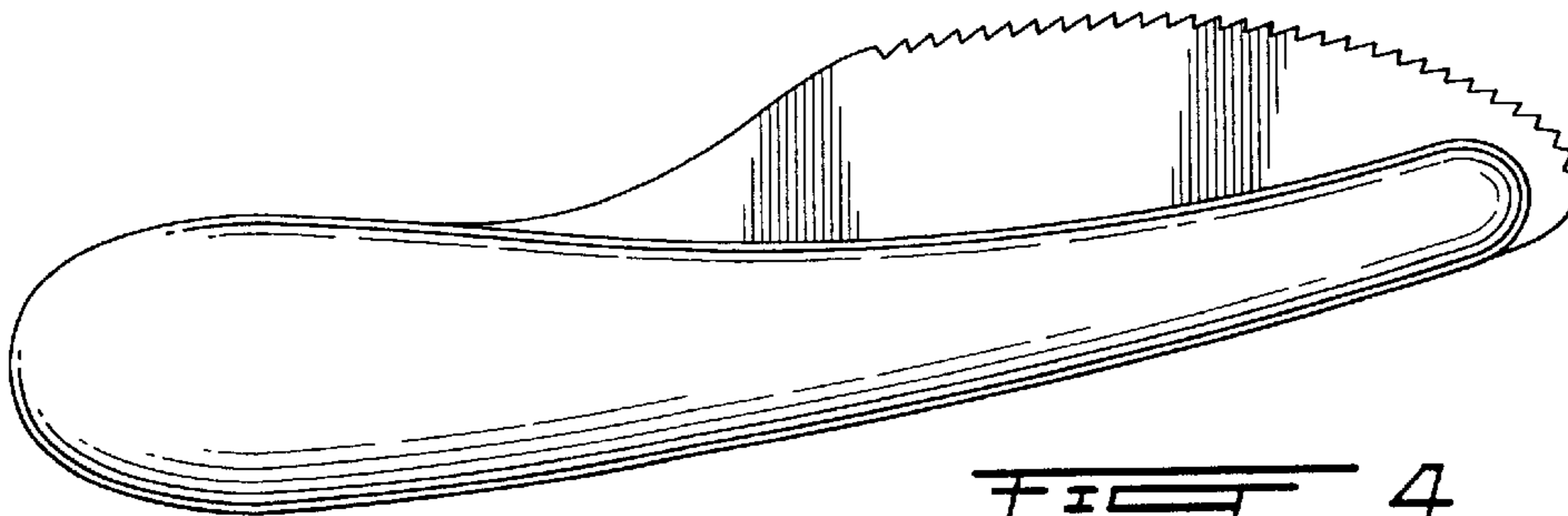


FIG. 4

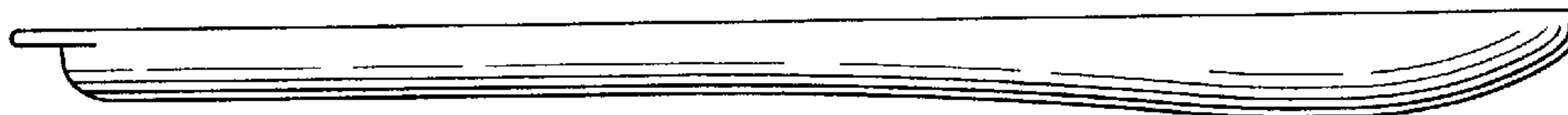


FIG. 5



FIG. 6

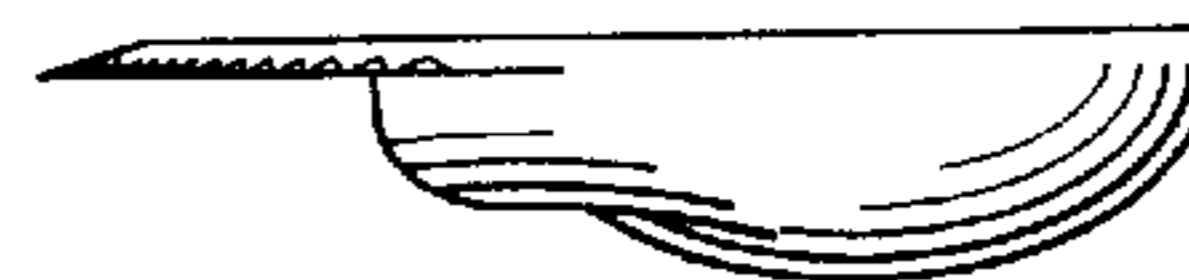
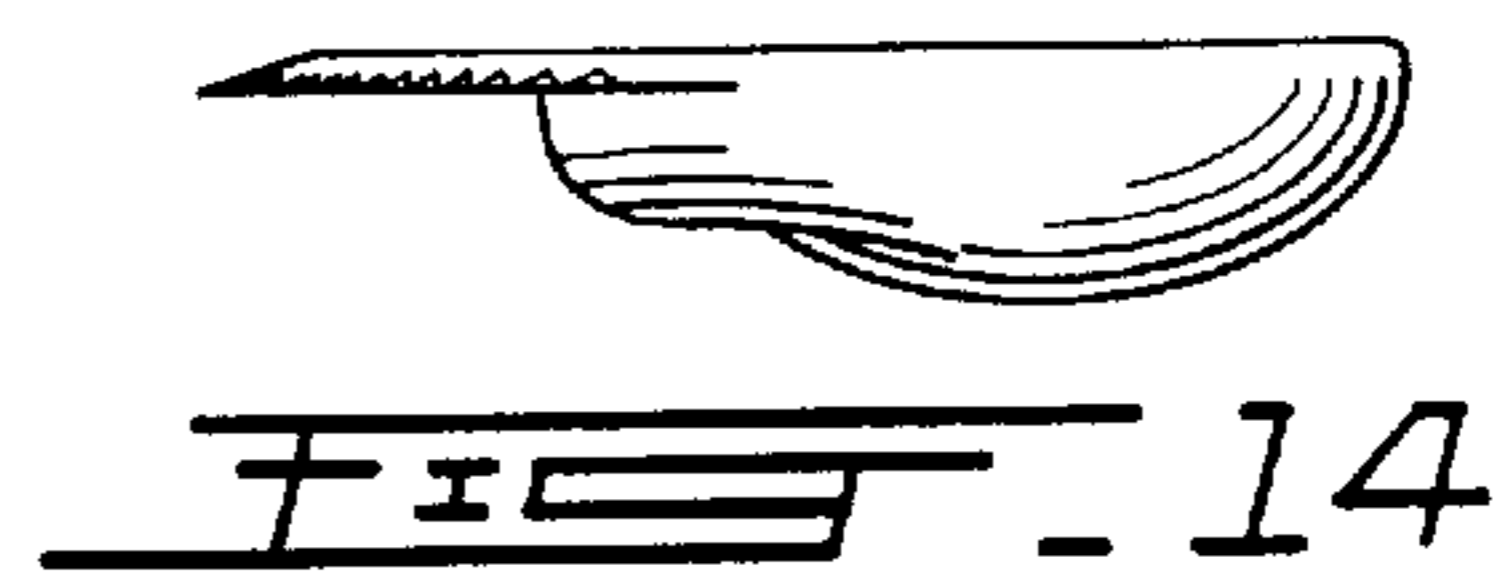
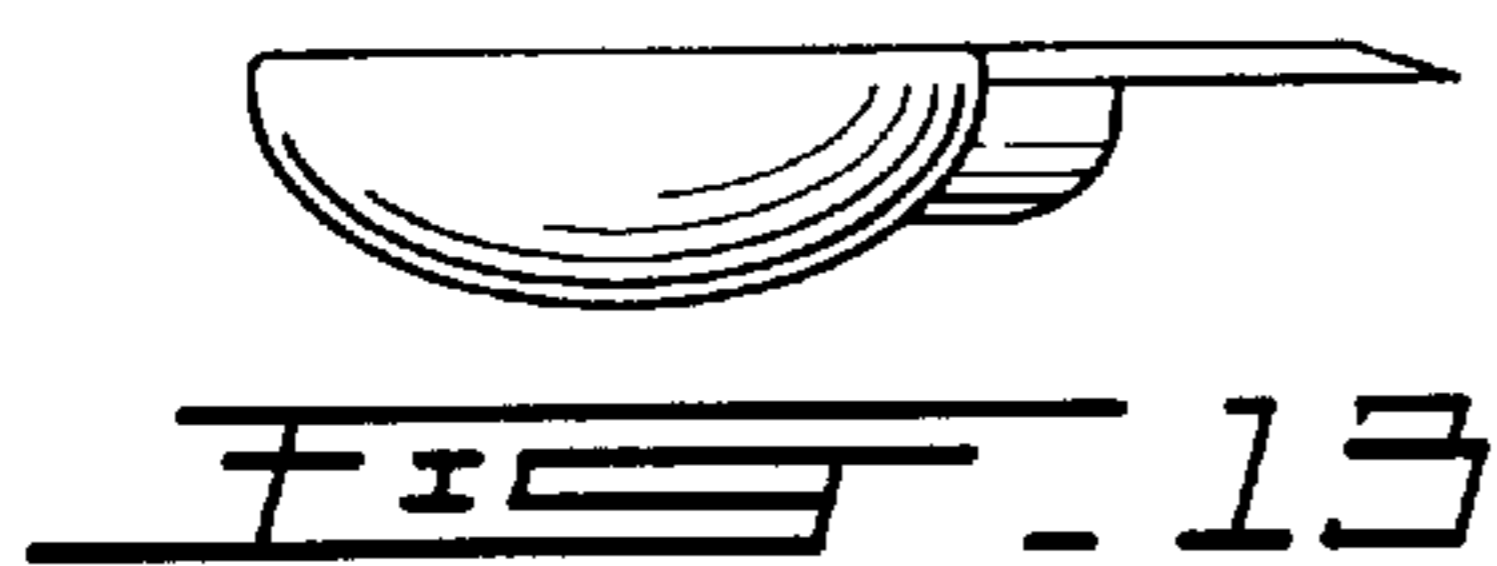
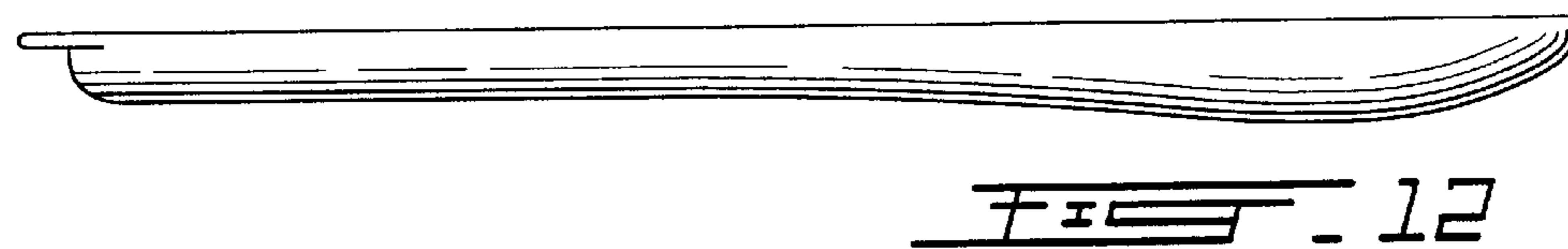
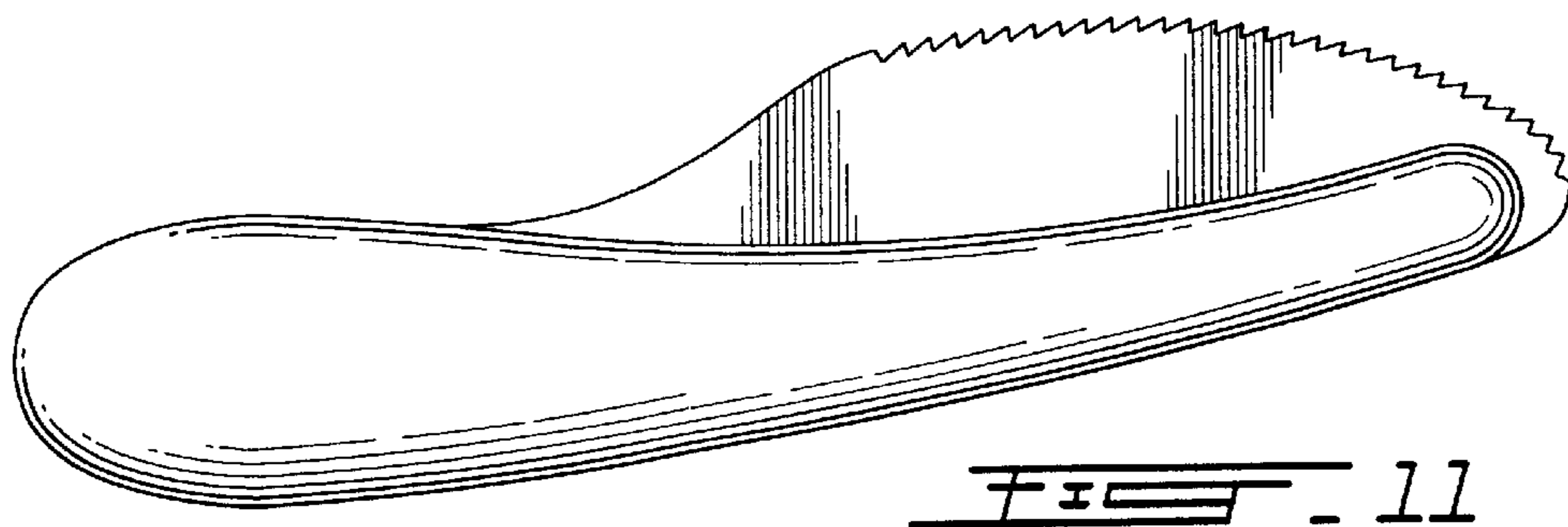
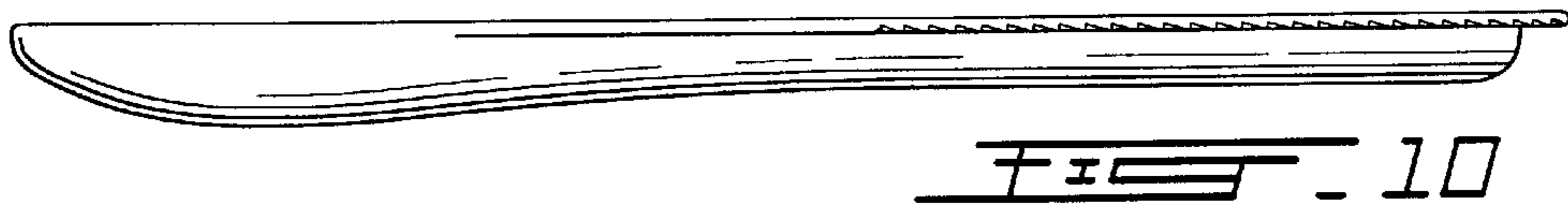
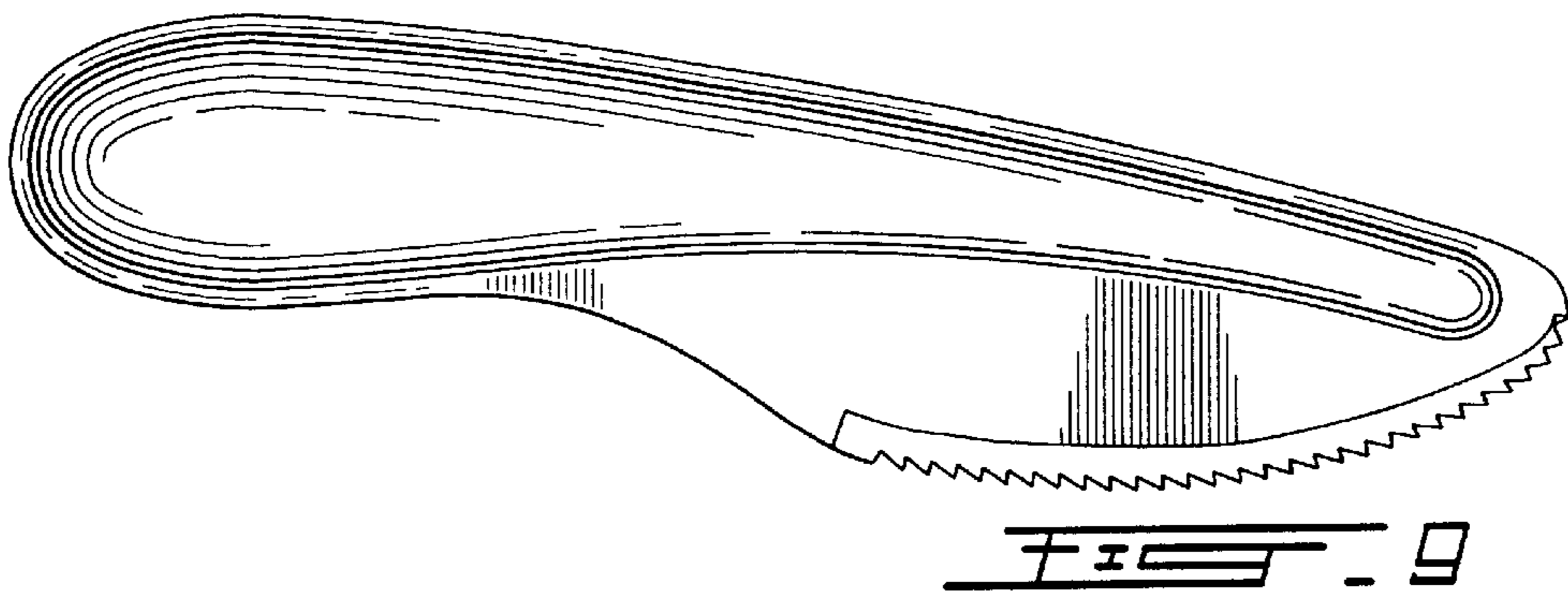
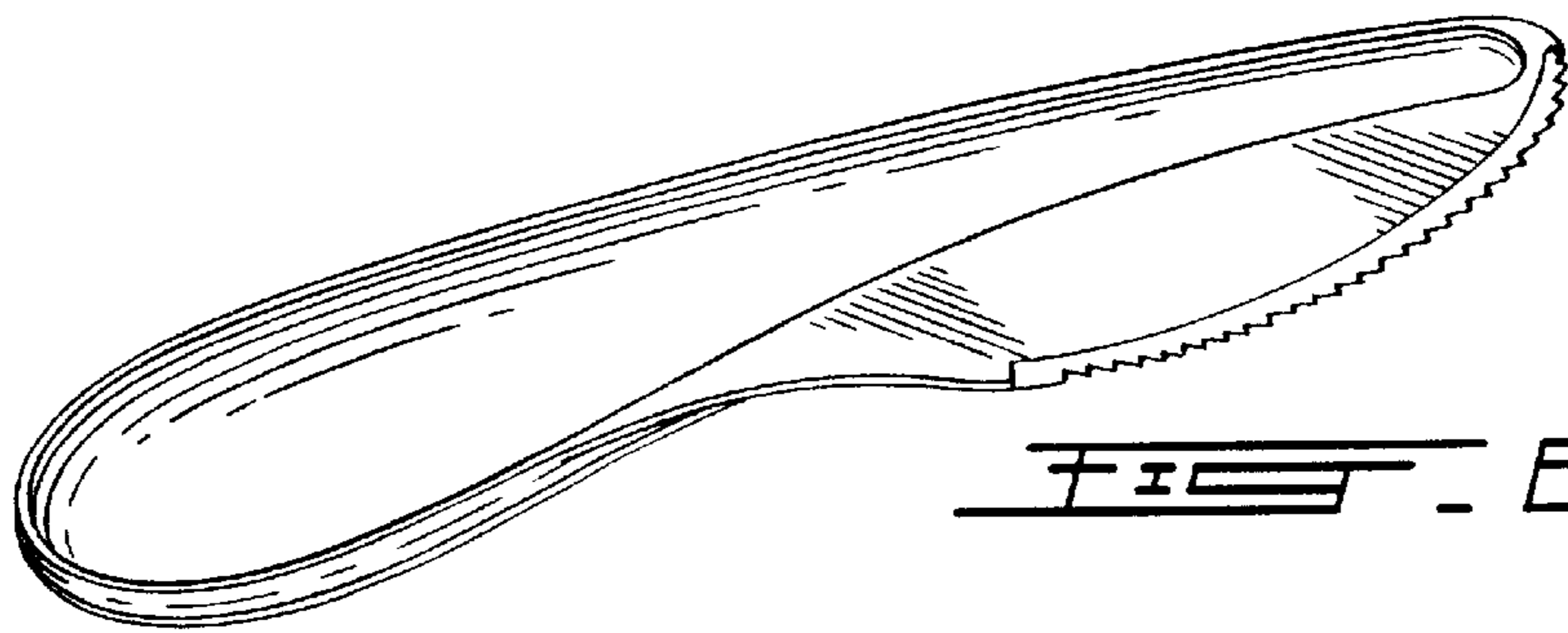


FIG. 7



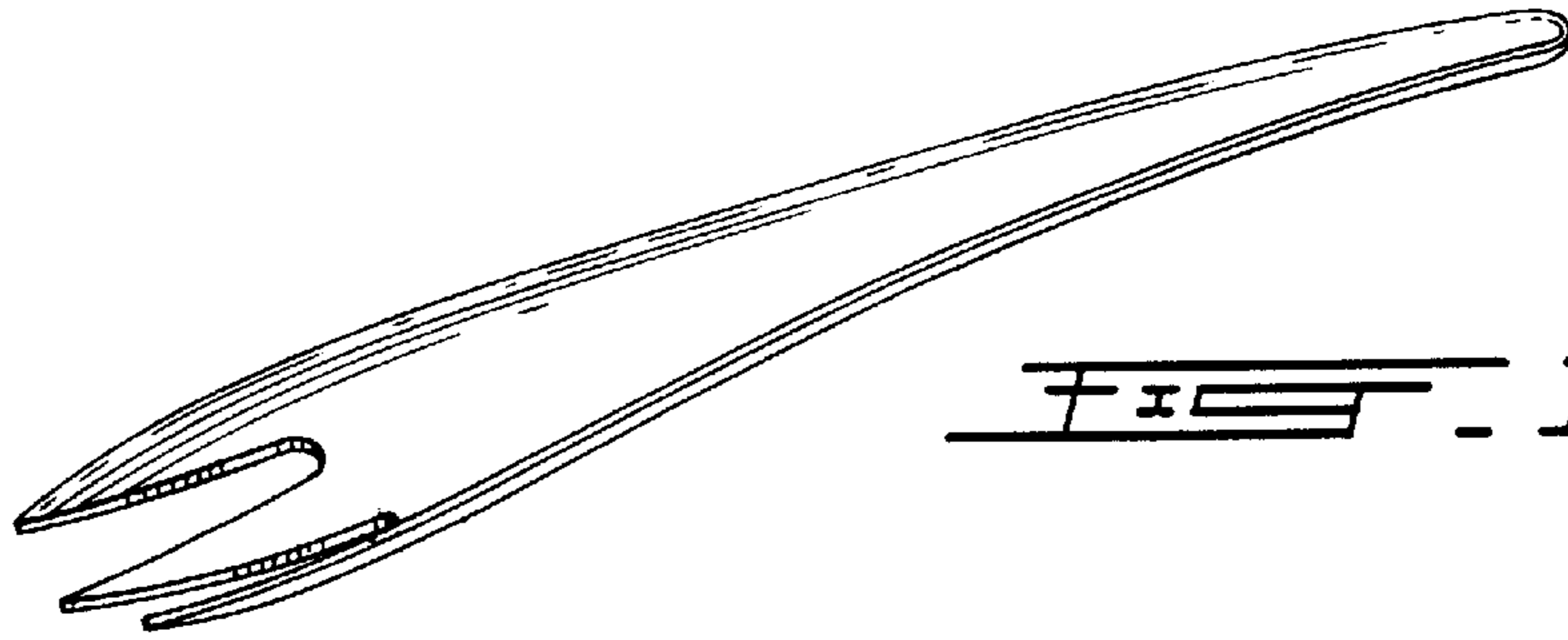


FIG. 15

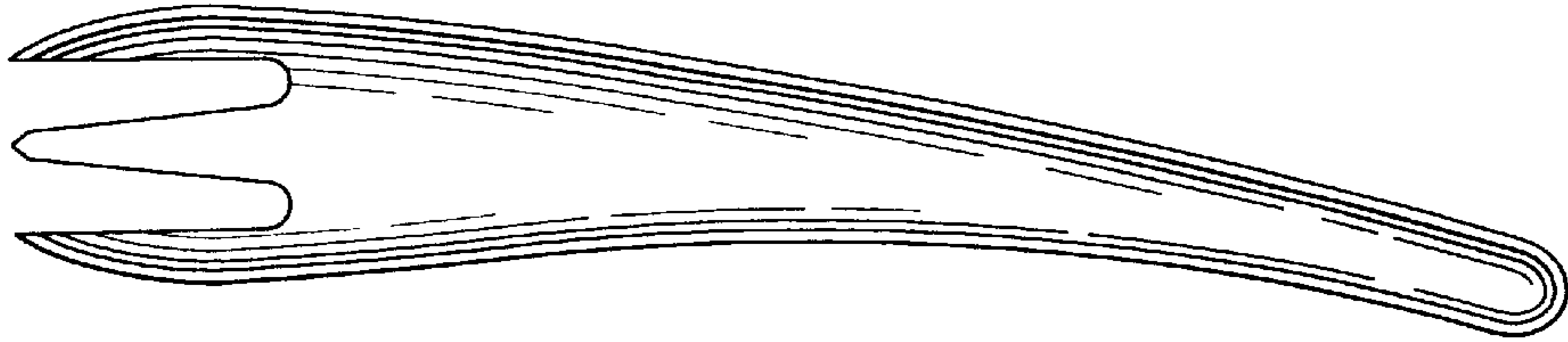


FIG. 16

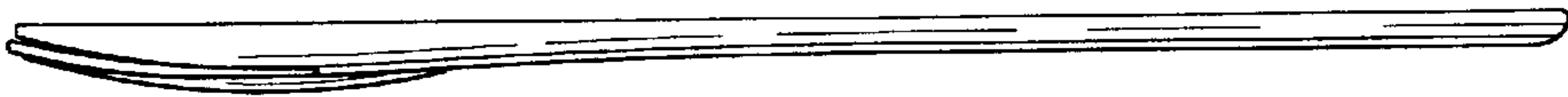


FIG. 17

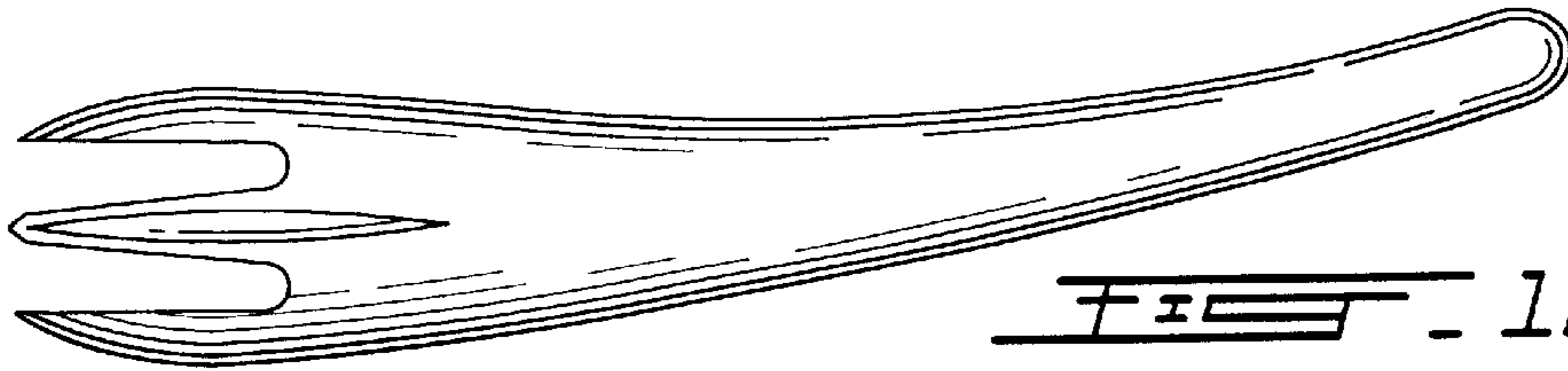


FIG. 18

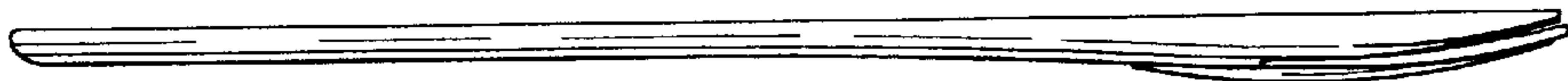


FIG. 19



FIG. 20



FIG. 21

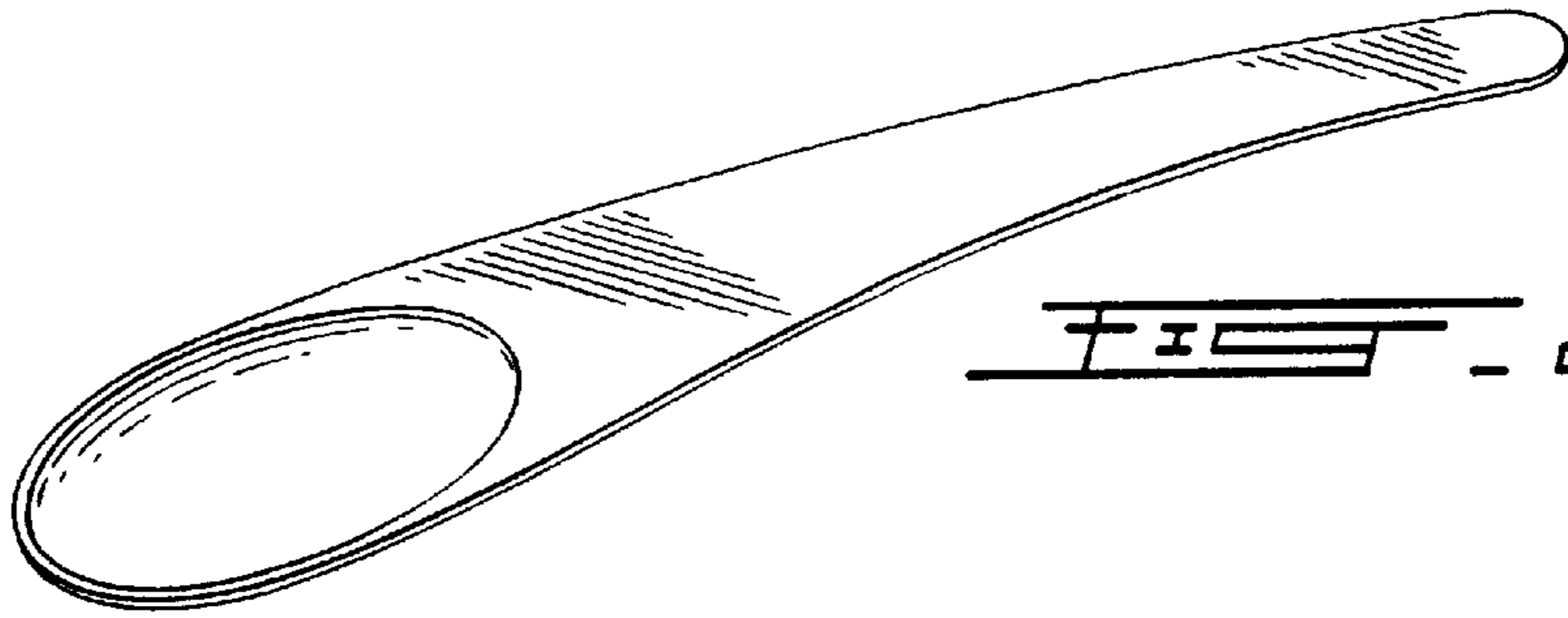


FIG. 22

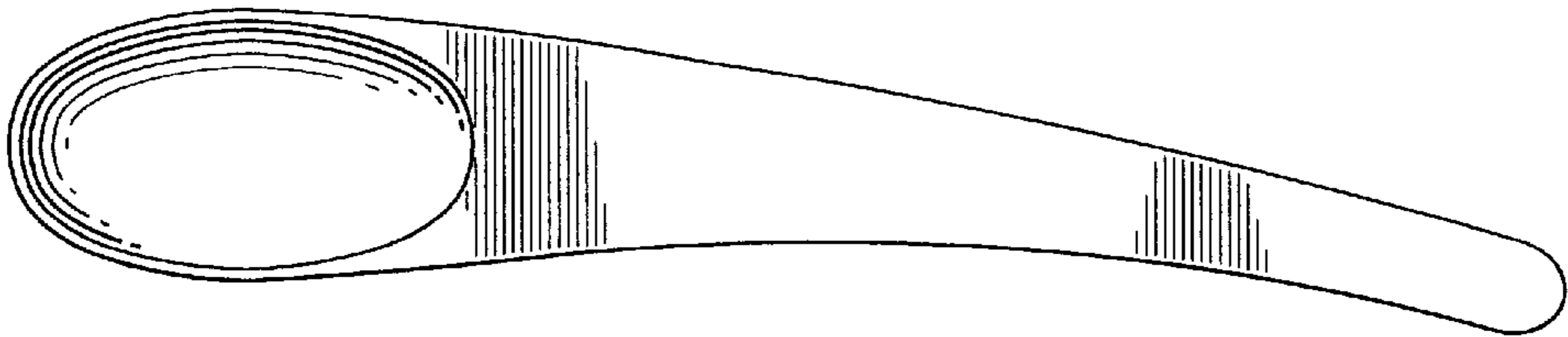


FIG. 23

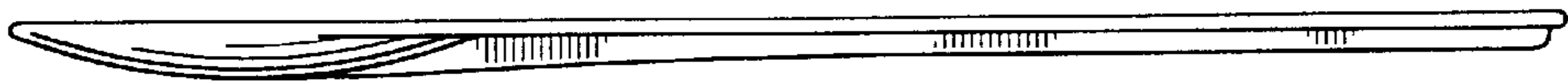


FIG. 24

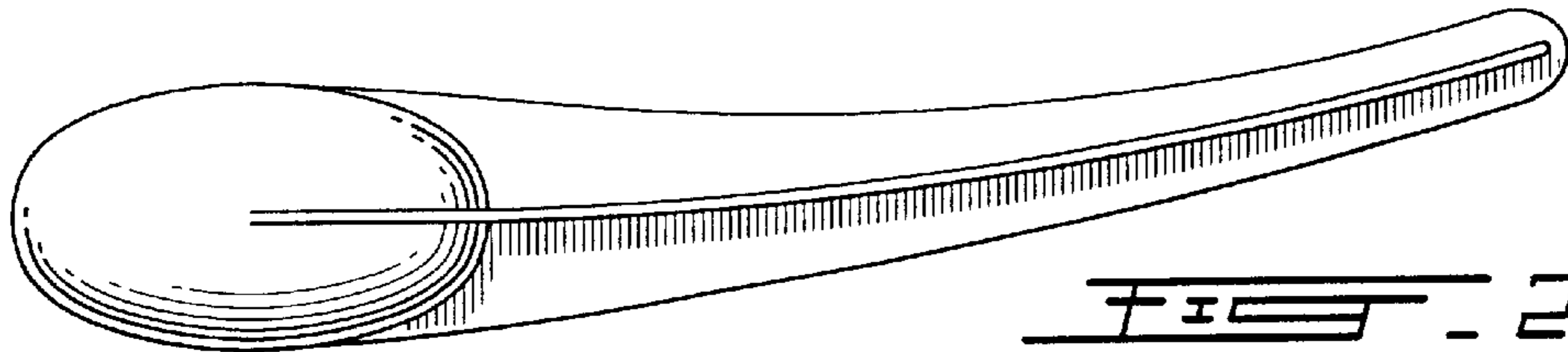


FIG. 25

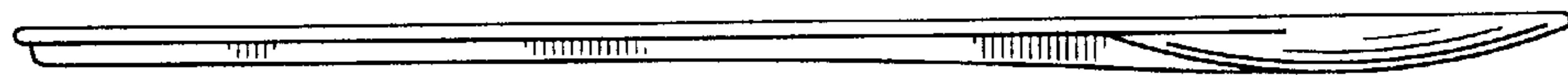


FIG. 26



FIG. 27

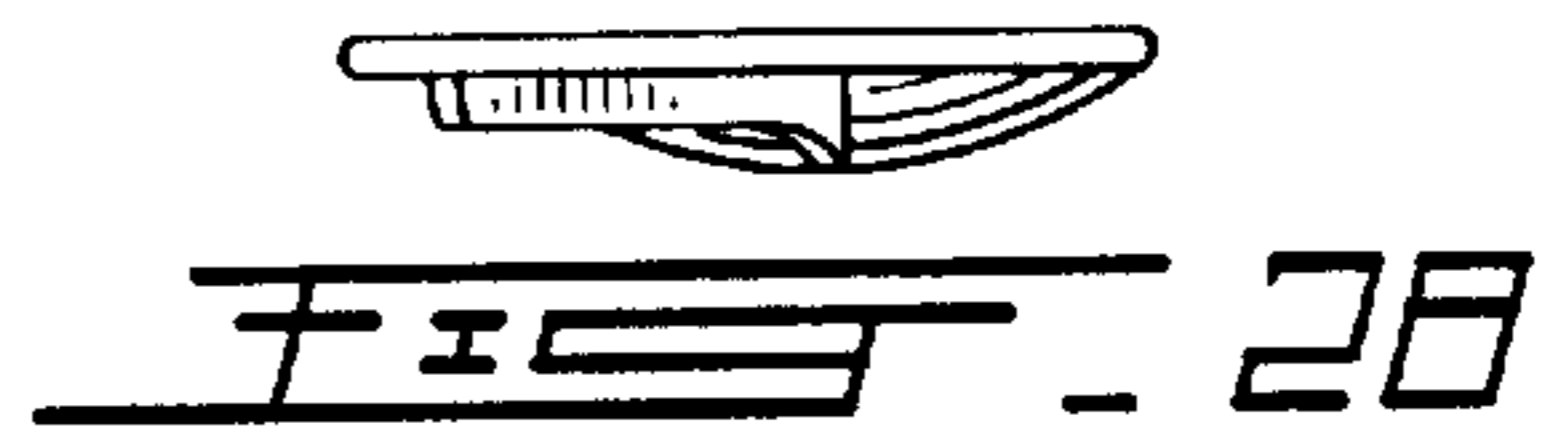


FIG. 28