



US00D401480S

**United States Patent** [19]  
**Hoggard**

[11] **Patent Number: Des. 401,480**

[45] **Date of Patent: \*\*Nov. 24, 1998**

[54] **COASTER**

D. 336,205 6/1993 Cooper ..... D7/624  
D. 371,054 6/1996 Haenderson ..... D7/624

[76] Inventor: **Tanya J. Hoggard**, 2730 Cox Lain,  
Cincinnati, Ohio 45209

*Primary Examiner*—Terry A. Wallace  
*Attorney, Agent, or Firm*—Lyon, P.C.

[\*\*] Term: **14 Years**

[57] **CLAIM**

[21] Appl. No.: **77,109**

The ornamental design for a coaster, as shown.

[22] Filed: **Oct. 3, 1997**

**DESCRIPTION**

[51] **LOC (6) Cl.** ..... **07-06**

FIG. 1 is a perspective view of a coaster showing my new design;

[52] **U.S. Cl.** ..... **D7/624**

FIG. 2 is a top plan view thereof;

[58] **Field of Search** ..... D7/624, 625, 388;  
215/386, 393-395; 220/737, 739; 248/346.11

FIG. 3 is a bottom plan view thereof;

FIG. 4 is a left side elevation view thereof;

FIG. 5 is a right side elevation view thereof;

FIG. 6 is a front elevation view thereof; and,

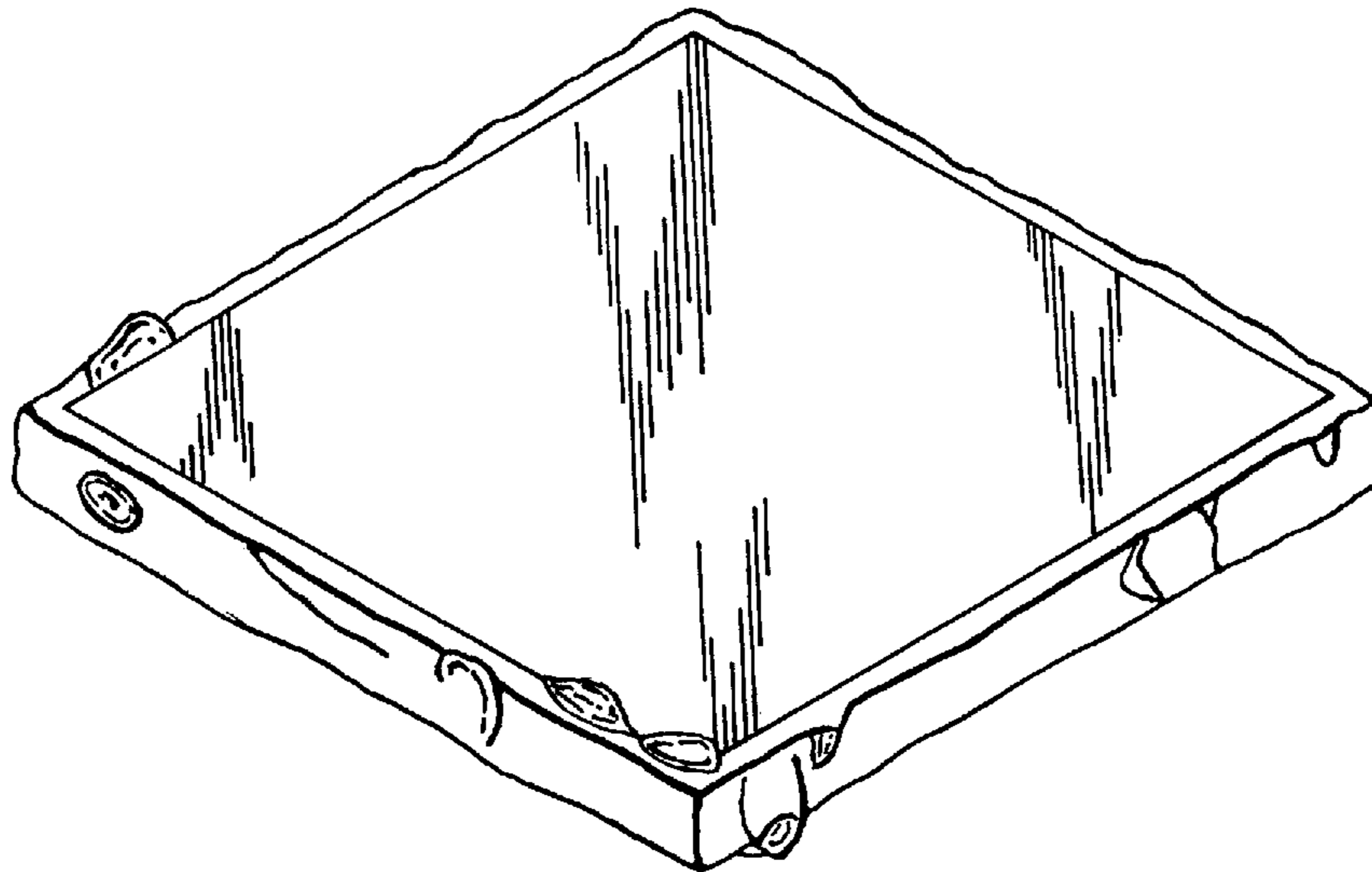
FIG. 7 is a rear elevation view thereof.

[56] **References Cited**

**U.S. PATENT DOCUMENTS**

D. 256,757 9/1980 Stahel, II ..... D7/624  
D. 260,070 8/1981 Haverland et al. .... D7/388

**1 Claim, 1 Drawing Sheet**



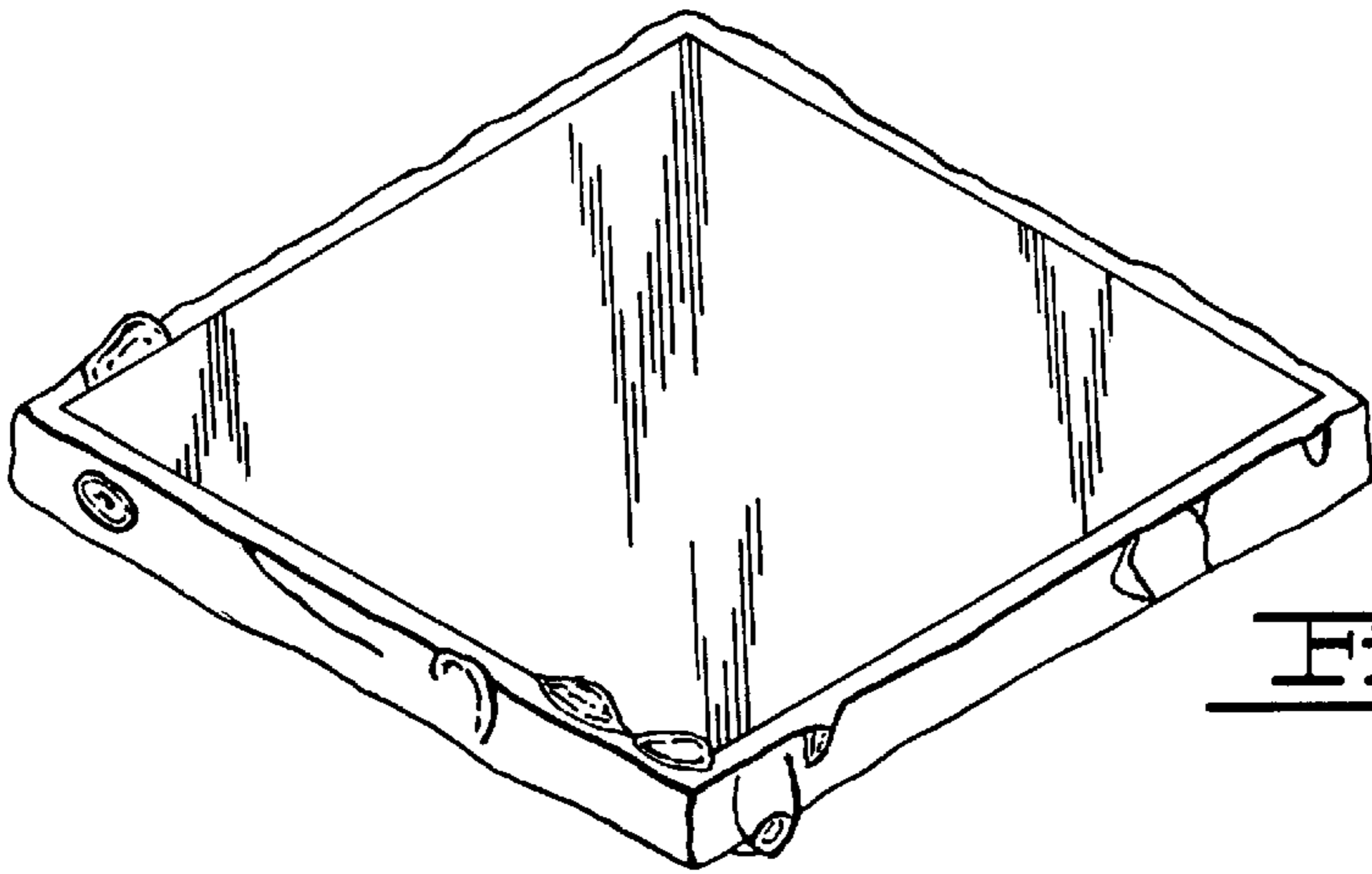


FIG. 1.

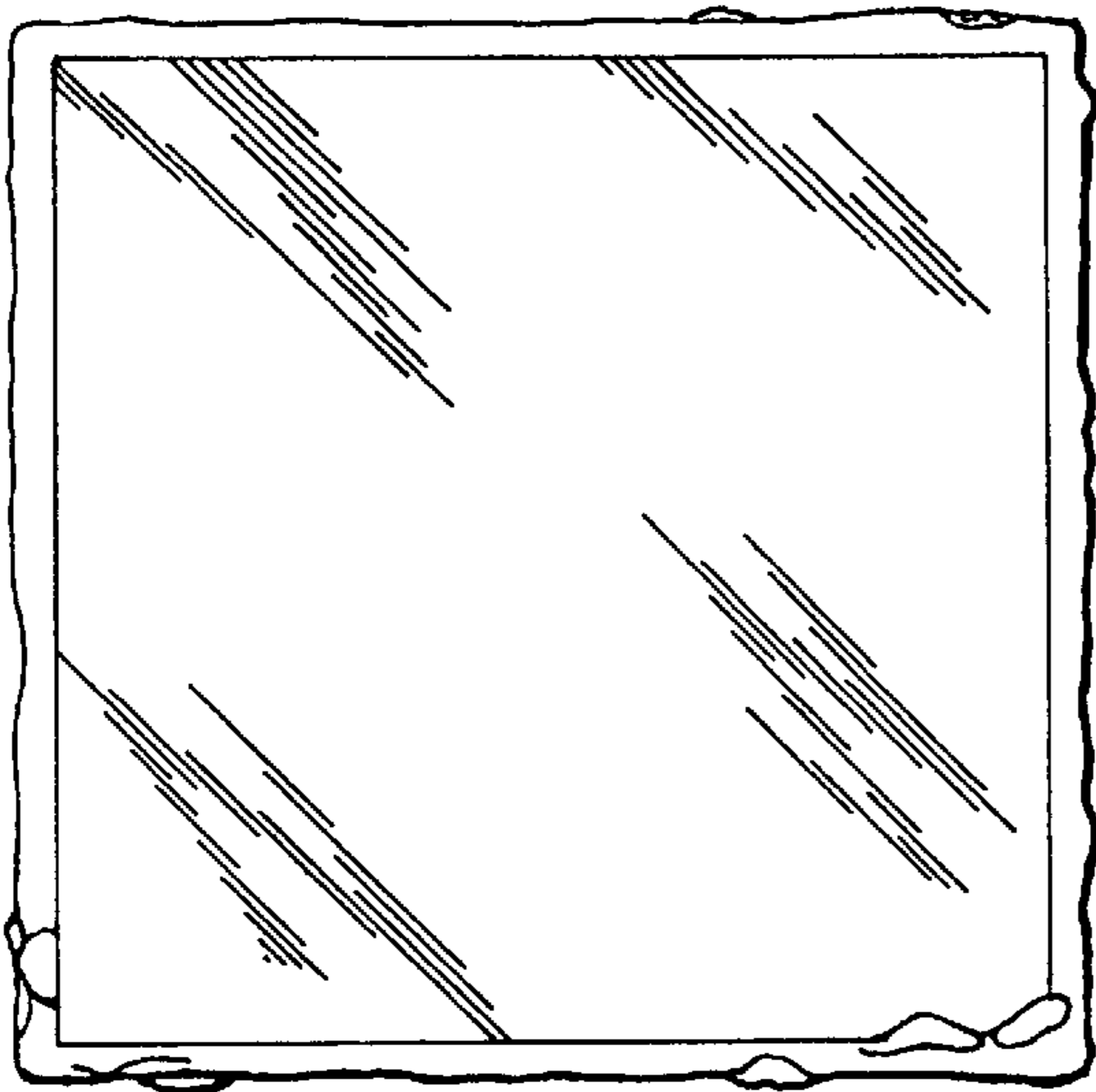


FIG. 2.

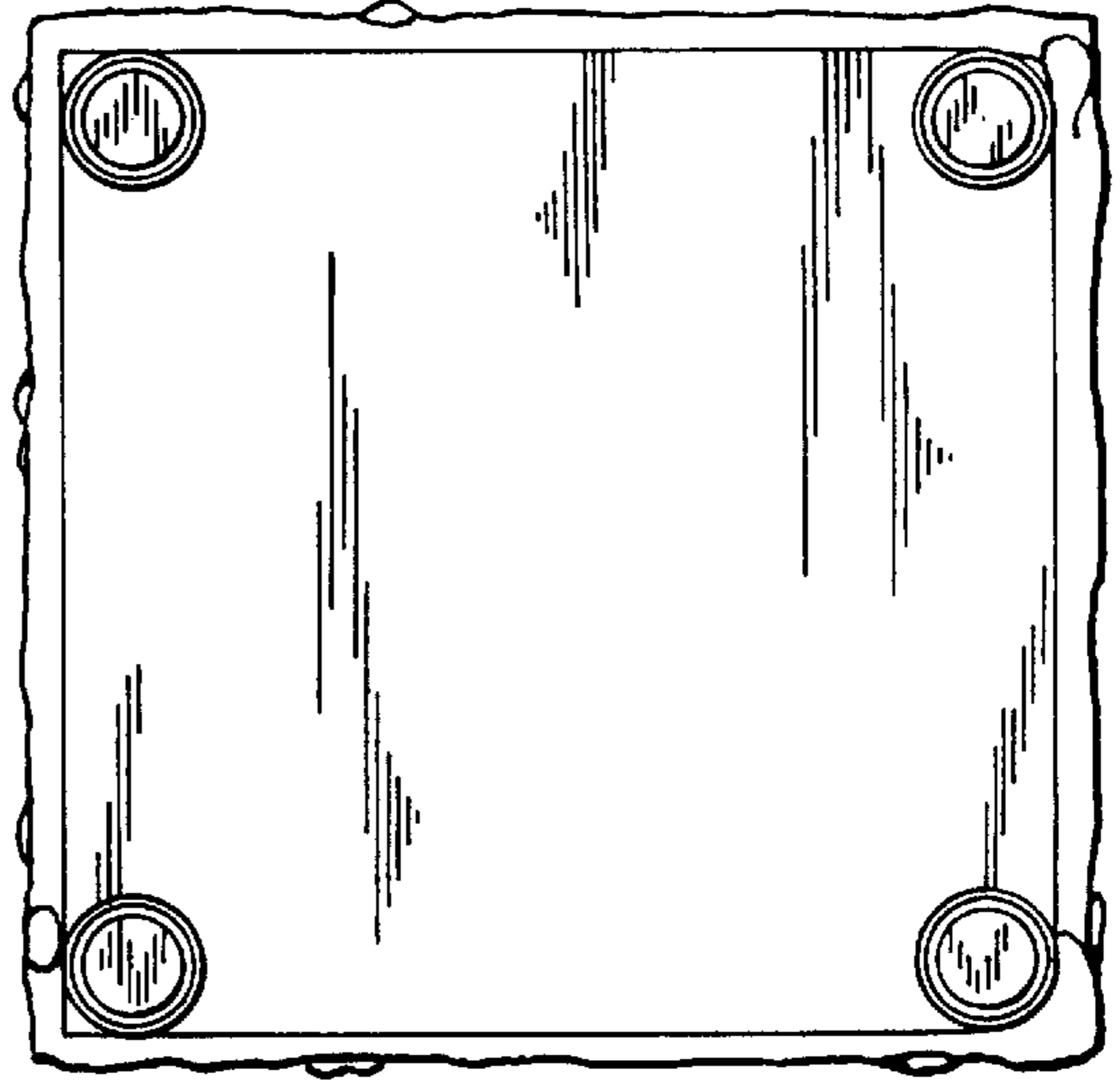


FIG. 3.

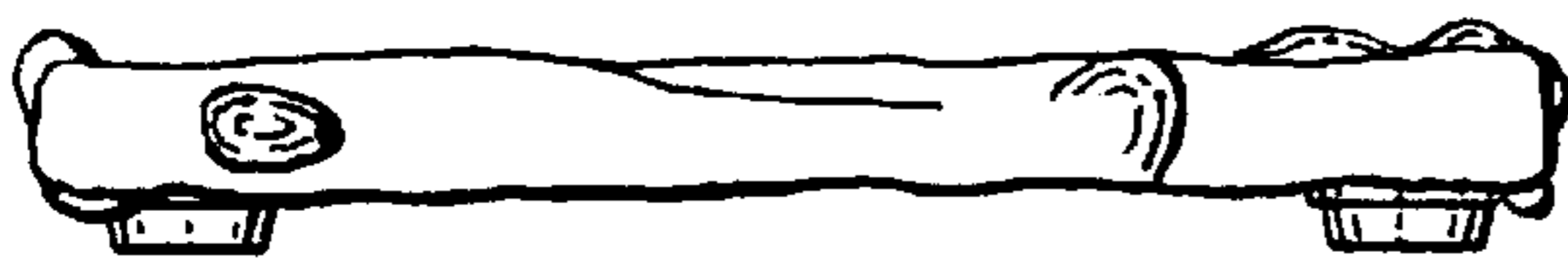


FIG. 4.

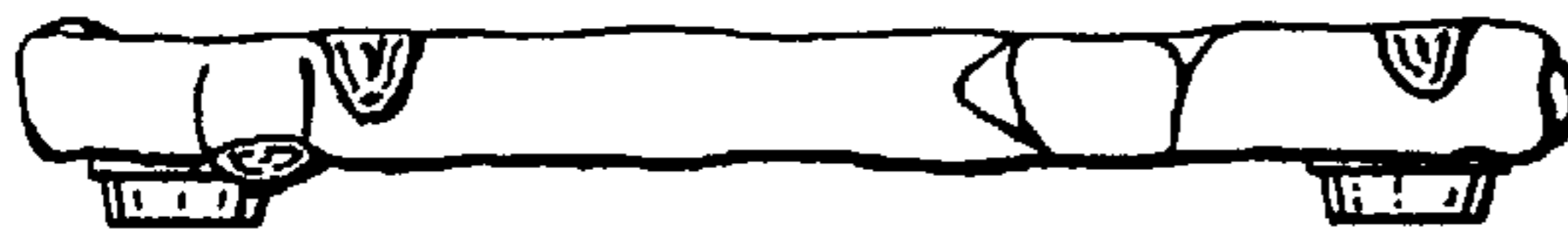


FIG. 5.

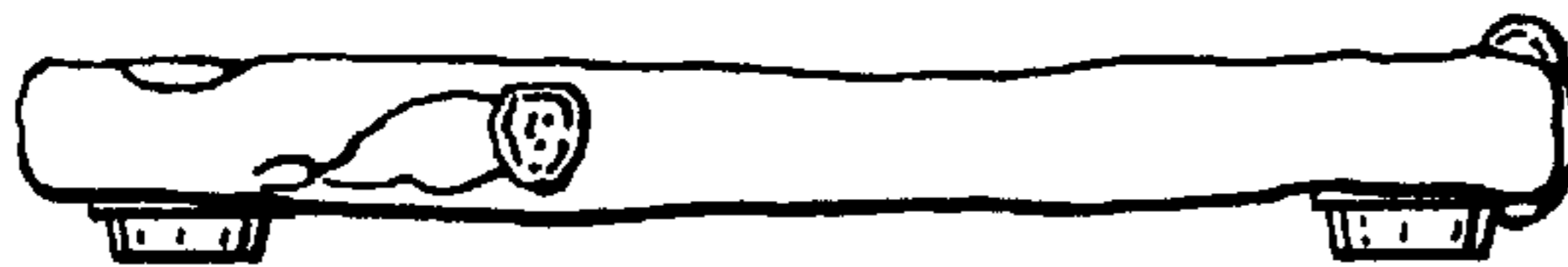


FIG. 6.

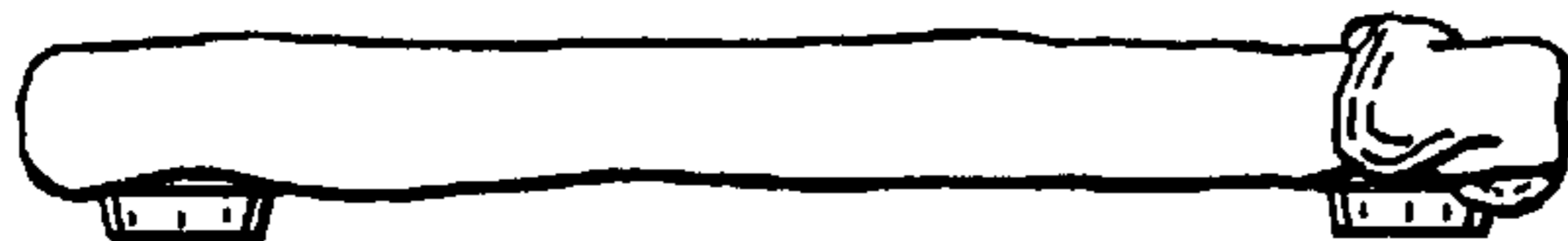


FIG. 7.