



US00D401479S

# United States Patent [19]

Norman et al.

[11] **Patent Number: Des. 401,479**

[45] **Date of Patent: \*\*Nov. 24, 1998**

[54] **COLLAPSIBLE COOLER**

[76] Inventors: **Larsen B. Norman**, 18 A Dreyer Ave., Staten Island, N.Y. 10314; **Laura Norton**, 107 Bard Ave., Staten Island, N.Y. 10301

[\*\*] Term: **14 Years**

[21] Appl. No.: **79,444**

[22] Filed: **Nov. 17, 1997**

[51] **LOC (6) Cl.** ..... **07-06**

[52] **U.S. Cl.** ..... **D7/605**

[58] **Field of Search** ..... D3/273, 276; D7/605-607; 62/457.1, 457.7, 371; 220/410-412; 206/600; 229/117.07; D9/414, 430-432

[56] **References Cited**

**U.S. PATENT DOCUMENTS**

- D. 359,200 6/1995 Gowin ..... D7/606
- D. 377,295 1/1997 Dionisio ..... D7/606

892,570	7/1908	Woodill .....	229/120
4,964,528	10/1990	Wagoner .....	220/22.3
4,978,023	12/1990	Behlmann et al. ....	220/23.6
5,050,766	9/1991	Groh .....	220/412
5,150,809	9/1992	Leigh .....	220/404
5,253,763	10/1993	Kirkely et al. ....	206/600

*Primary Examiner*—Terry A. Wallace  
*Attorney, Agent, or Firm*—Goldstein & Canino

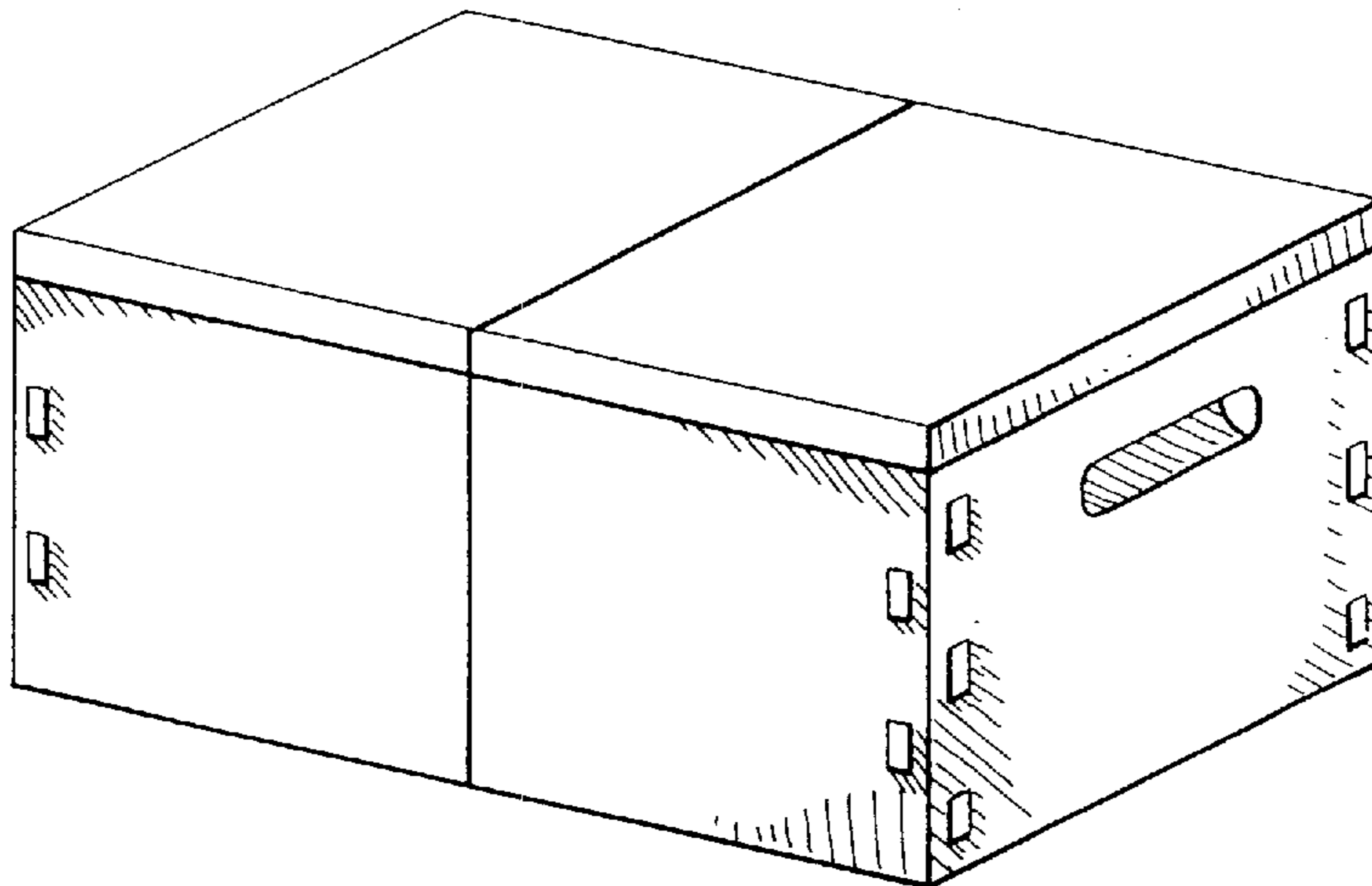
[57] **CLAIM**

The ornamental design for a collapsible cooler, as shown and described.

**DESCRIPTION**

FIG. 1 is a perspective view of the collapsible cooler; FIG. 2 is a left side elevational view thereof, the right side view being a mirror image of the left side view; FIG. 3 is a front elevational view thereof; FIG. 4 is a rear elevational view thereof; FIG. 5 is a top plan view thereof; and, FIG. 6 is a bottom plan view thereof.

**1 Claim, 3 Drawing Sheets**



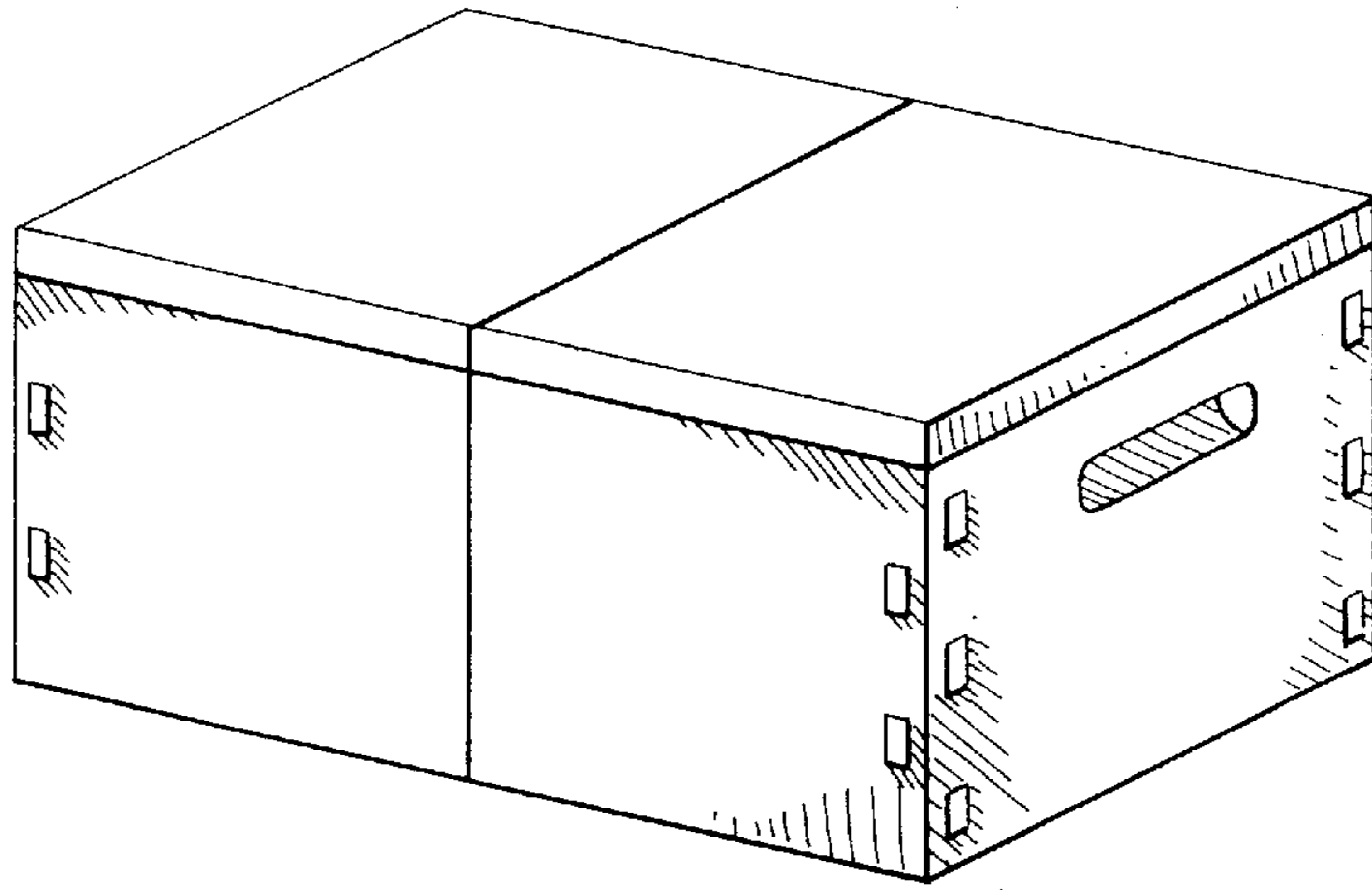


FIG. 1

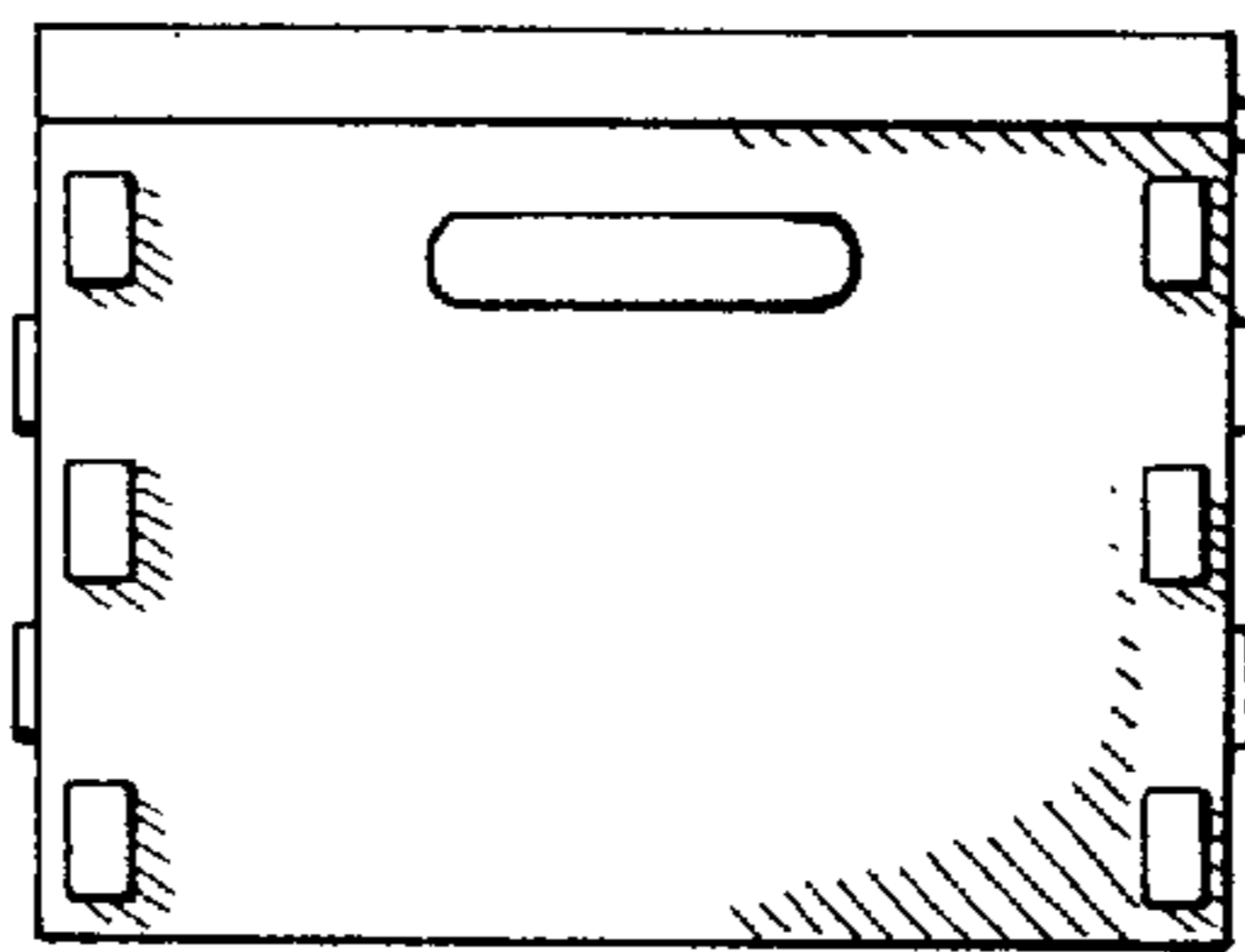


FIG. 2

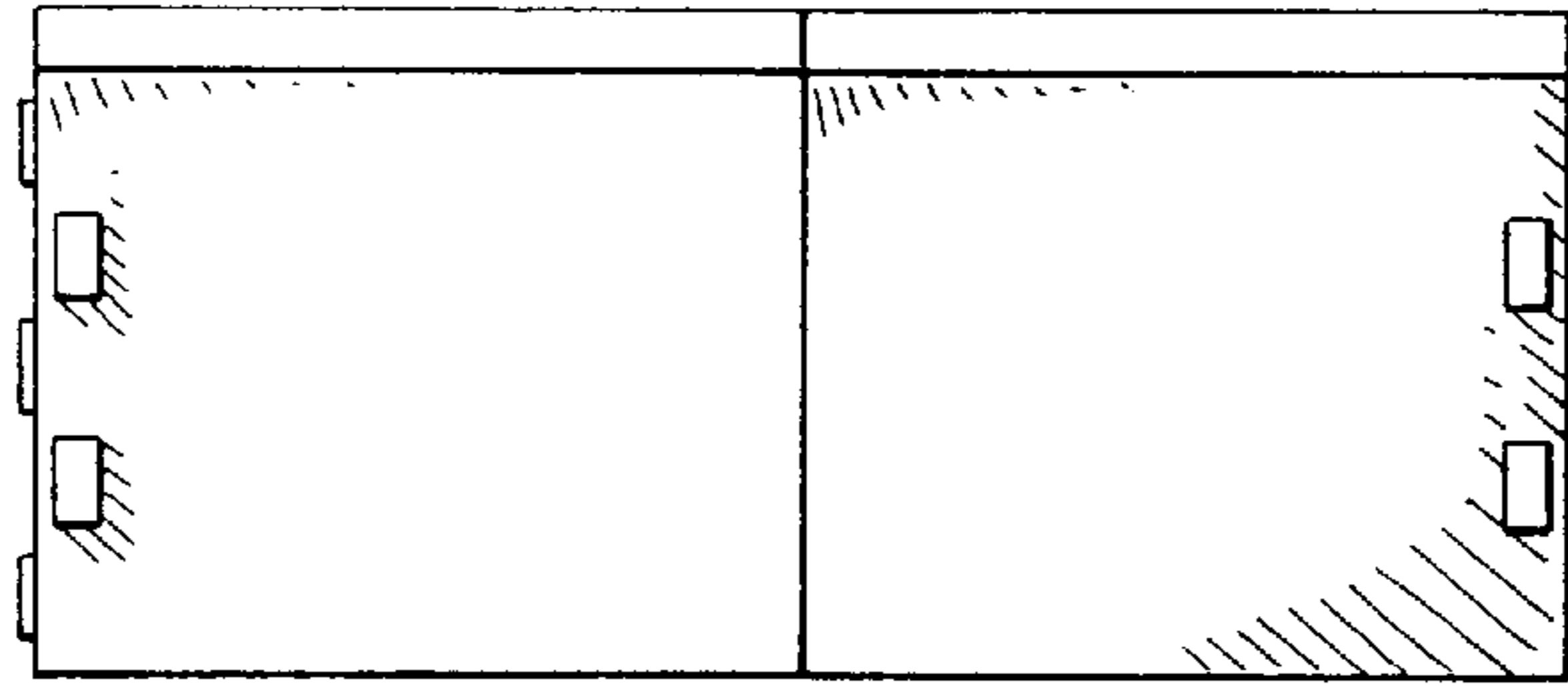


FIG. 3

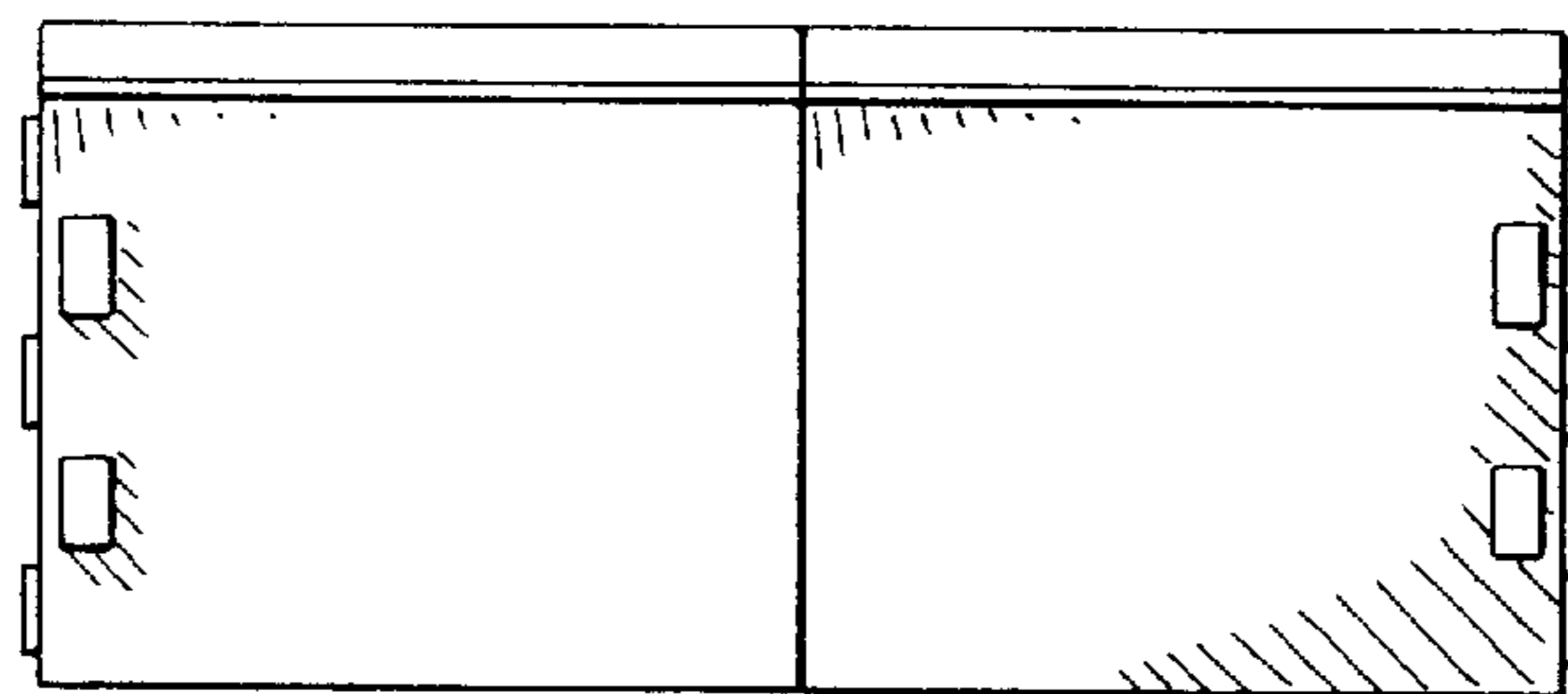


FIG. 4

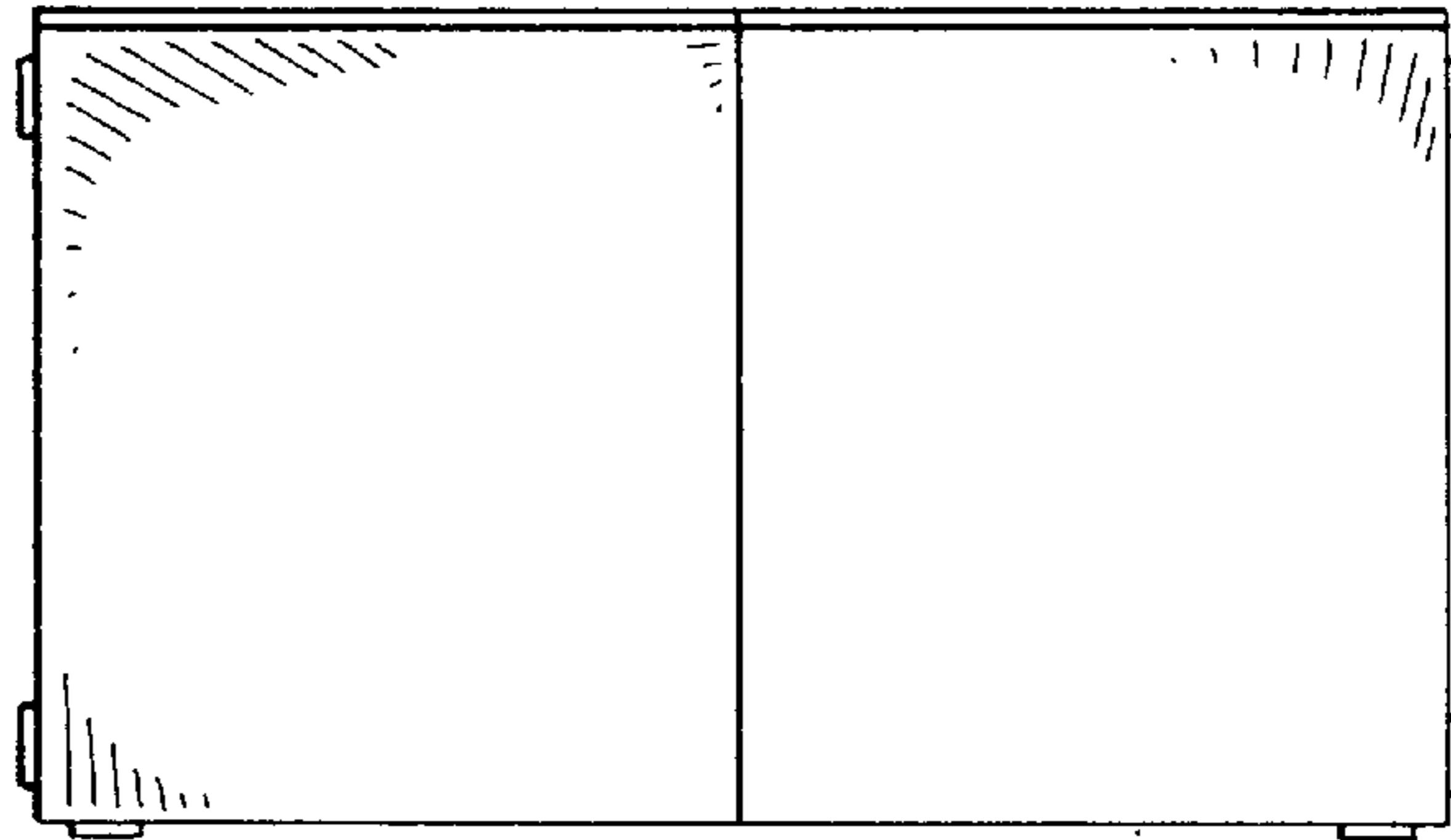


FIG. 5

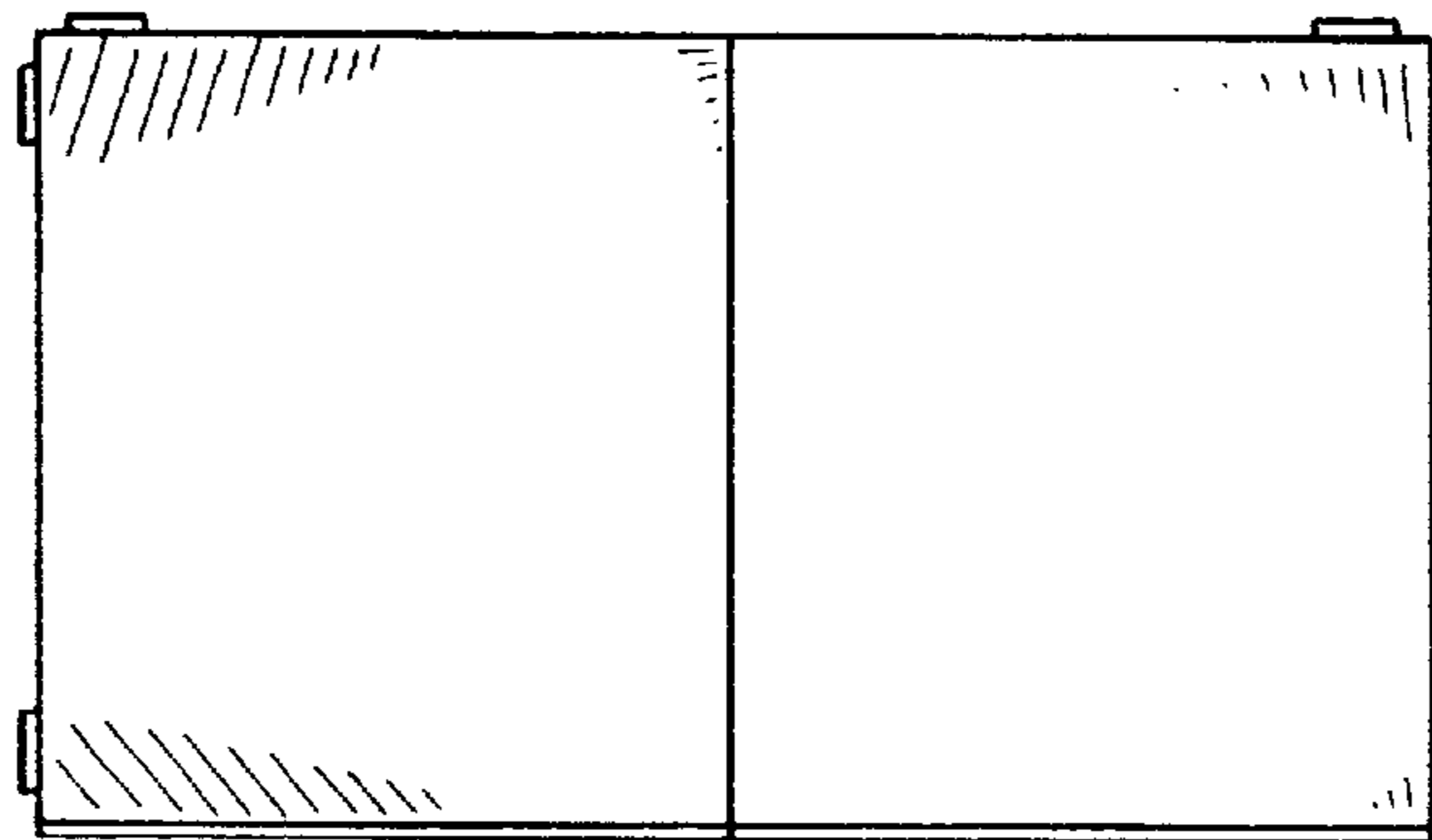


FIG. 6