



US00D401472S

# United States Patent [19] Gould

[11] **Patent Number: Des. 401,472**

[45] **Date of Patent: \*\*Nov. 24, 1998**

[54] **TOASTER**

[75] **Inventor: Neil M. Gould, London, England**

[73] **Assignee: Townport Limited, Middlesex, England**

[\*\*] **Term: 14 Years**

[21] **Appl. No.: 75,414**

[22] **Filed: Aug. 18, 1997**

### [30] Foreign Application Priority Data

Feb. 17, 1997 [DE] Germany ..... M 97 01 570.9

[51] **LOC (6) Cl. .... 07-02**

[52] **U.S. Cl. .... D7/330**

[58] **Field of Search ..... D7/328-330, 387,  
D7/390; 99/331, 332, 334, 335, 372, 385,  
389**

### [56] References Cited

#### U.S. PATENT DOCUMENTS

D. 107,552 12/1937 Scharfenberg ..... D7/330

D. 111,765 10/1938 Hadley ..... D7/330  
D. 142,037 8/1945 Page ..... D7/330  
D. 376,509 12/1996 Stutzer ..... D7/330  
D. 383,352 9/1997 Powel ..... D7/330

*Primary Examiner*—Caron D. Veynar  
*Attorney, Agent, or Firm*—IP Group of Pillsbury Madison & Sutro LLP

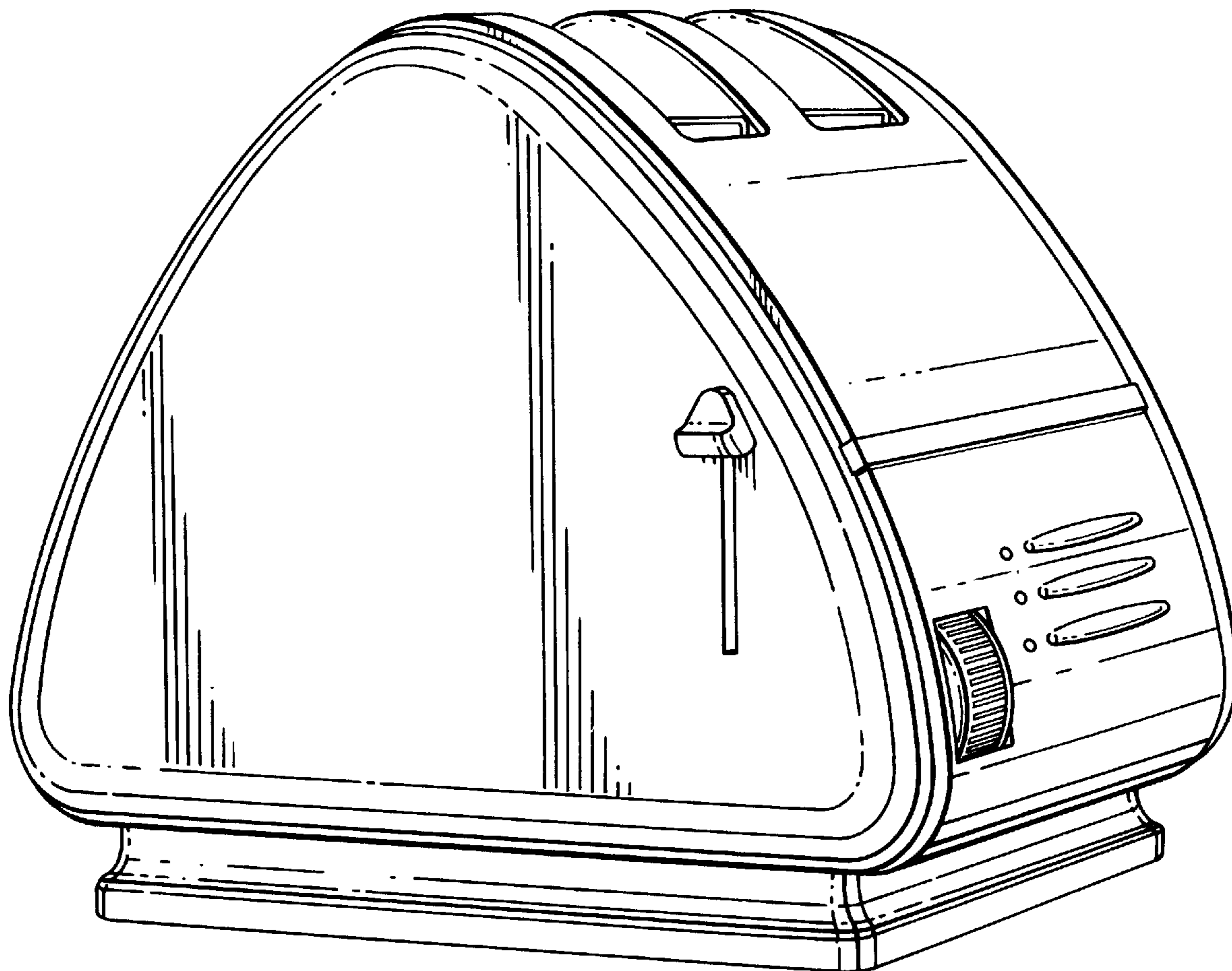
### [57] CLAIM

The ornamental design for a toaster, as shown.

### DESCRIPTION

FIG. 1 is a front elevational view of a toaster showing my new design;  
FIG. 2 is a rear elevational view thereof;  
FIG. 3 is a left side elevational view thereof;  
FIG. 4 is a right side elevational view thereof; and,  
FIG. 5 is a frontal perspective view thereof.

**1 Claim, 4 Drawing Sheets**



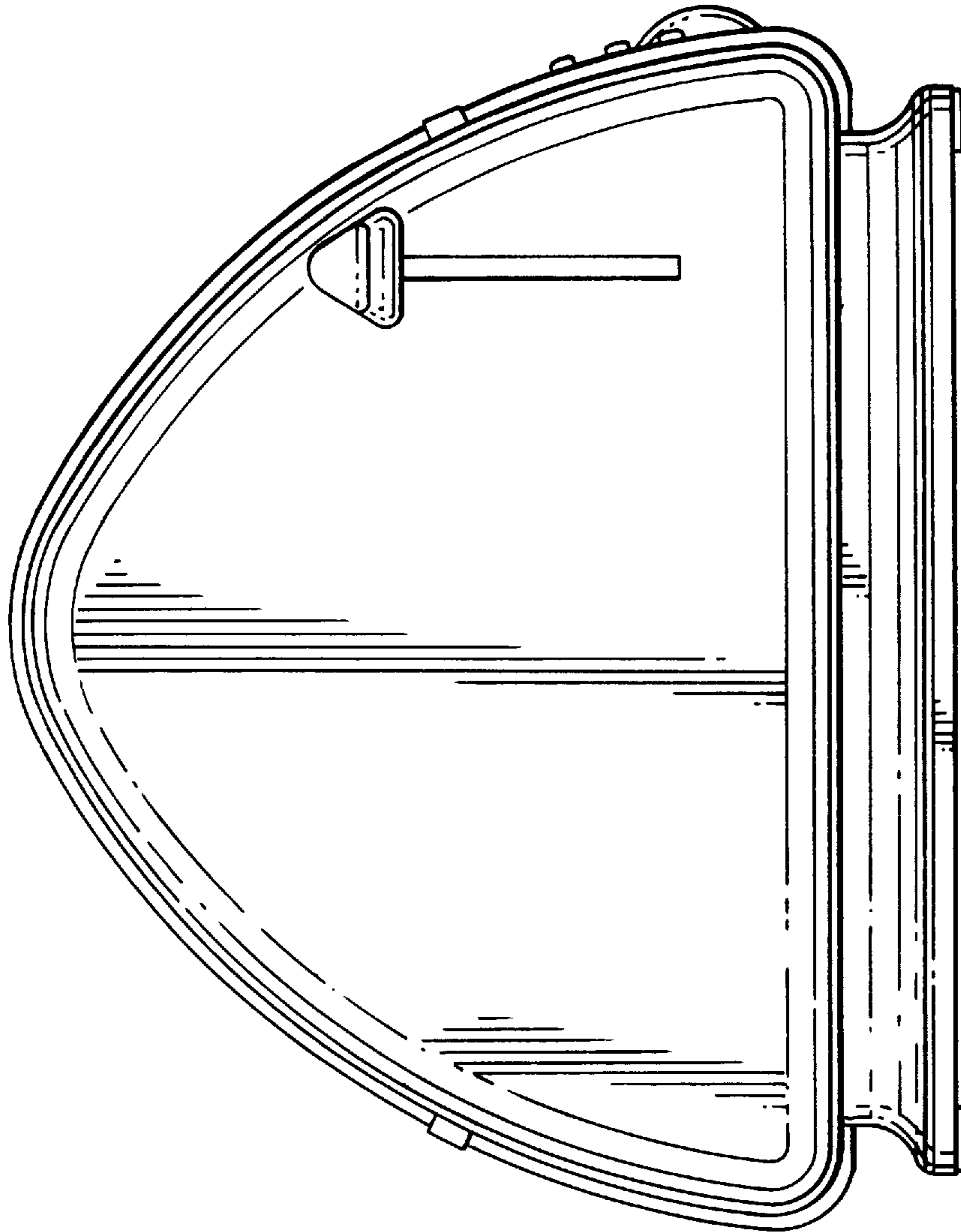


FIG. 1

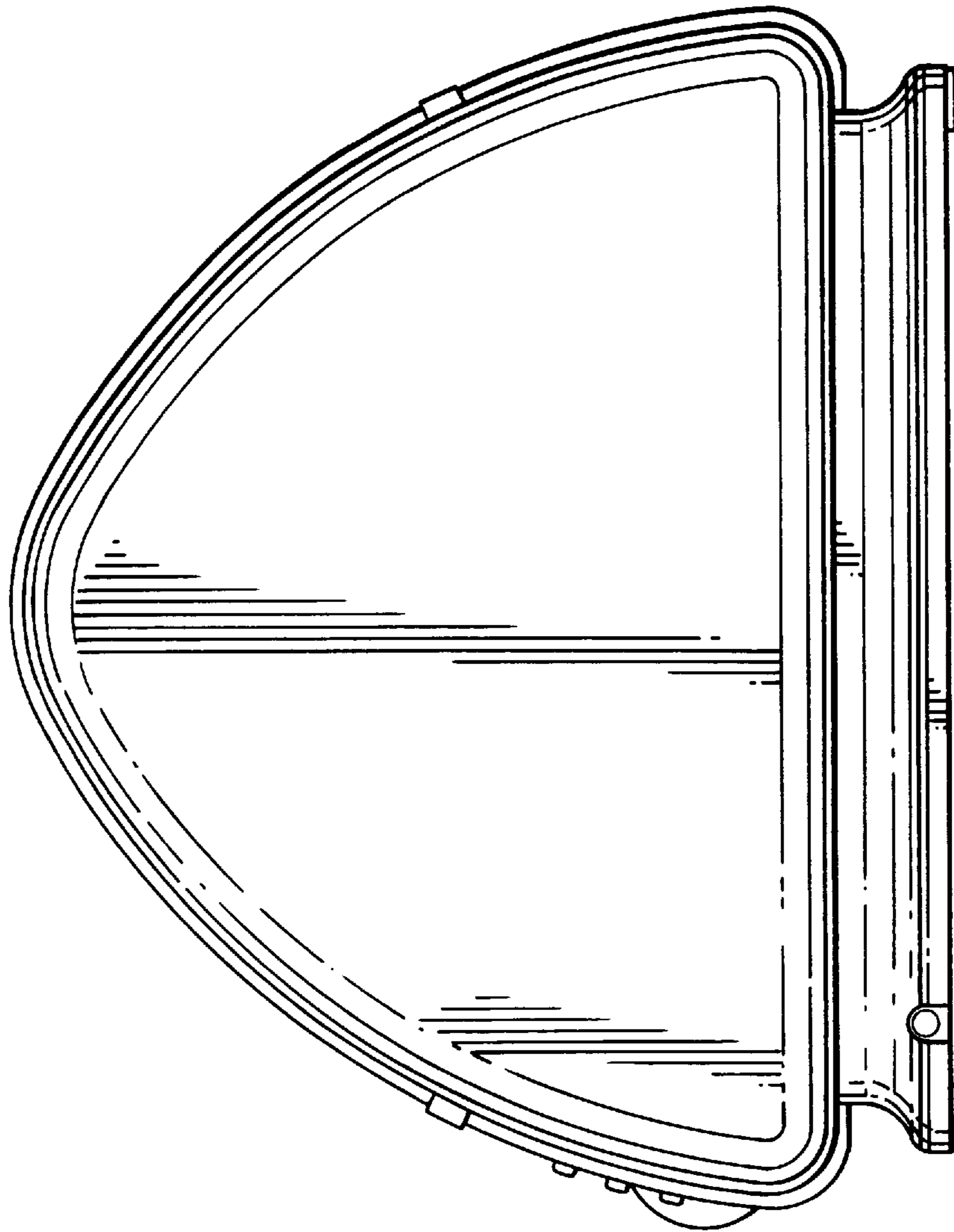


FIG. 2

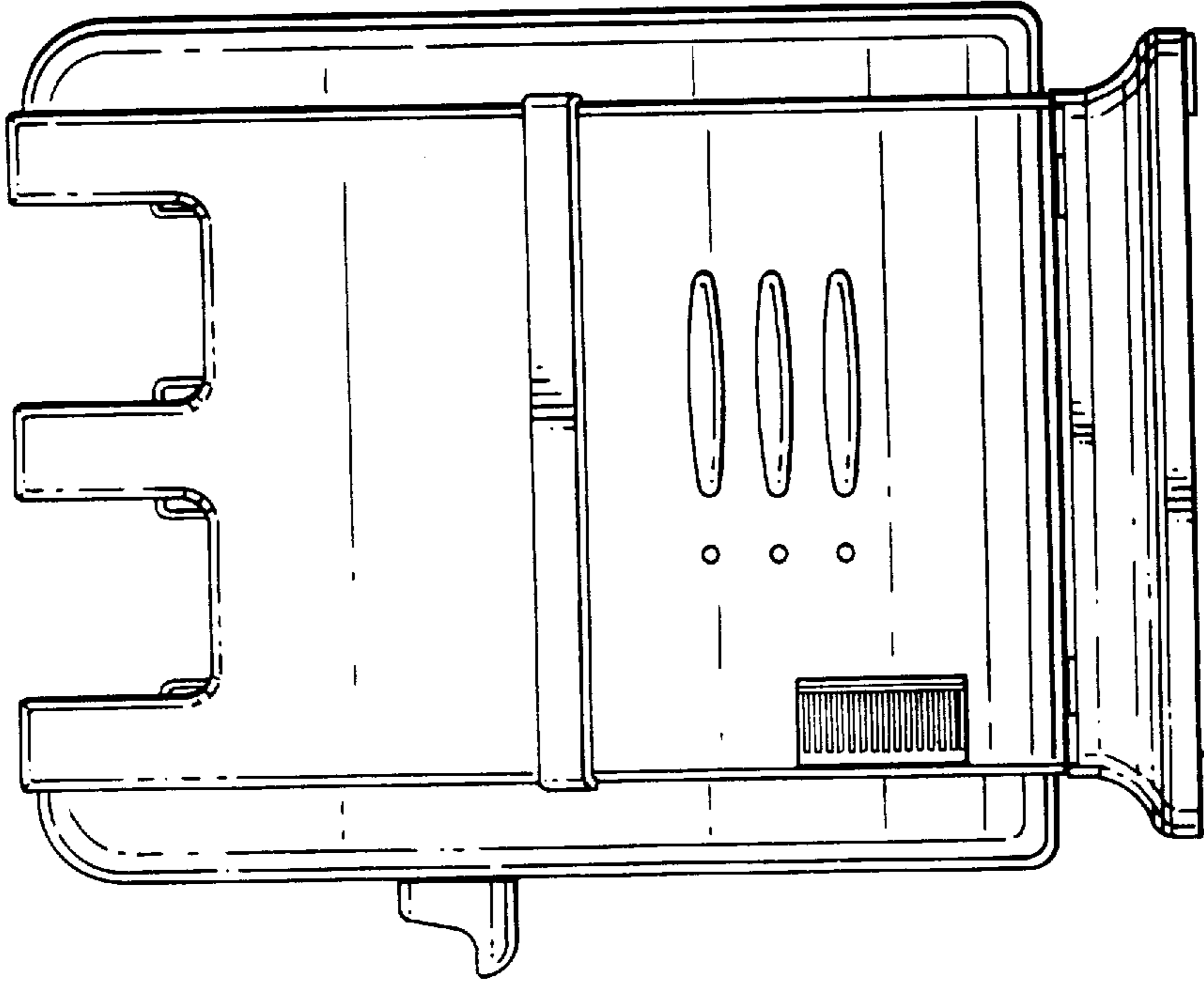


FIG. 4

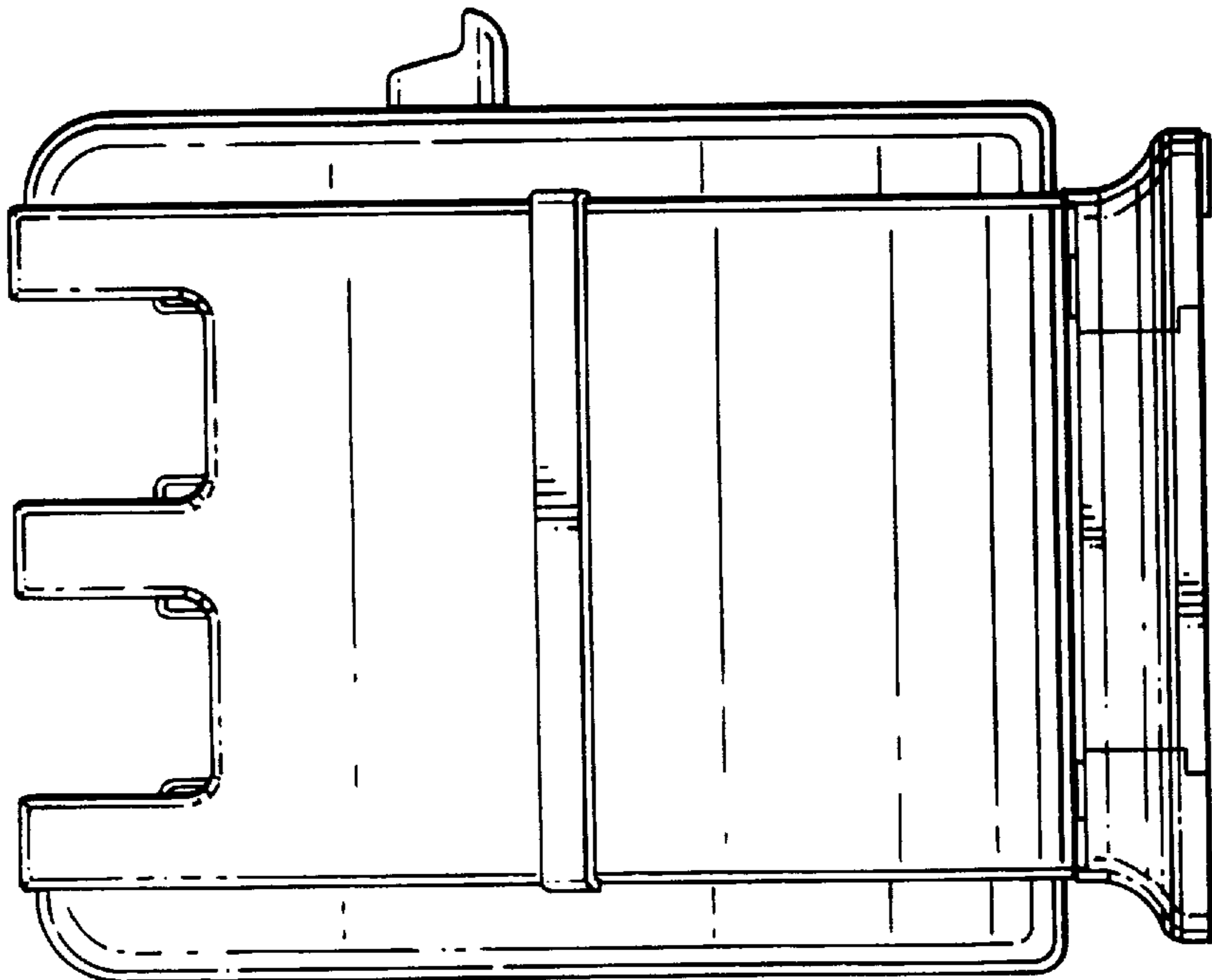


FIG. 3

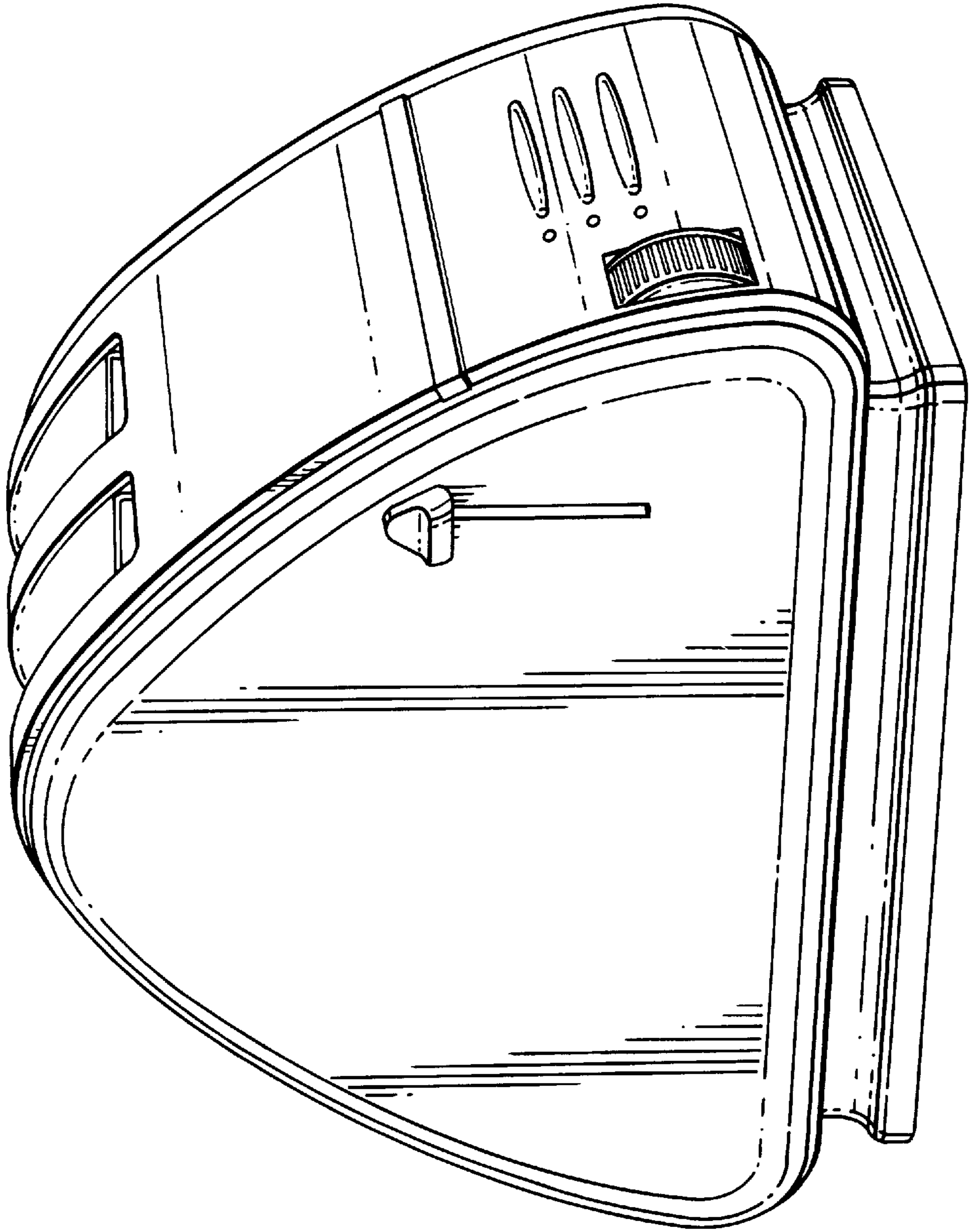


FIG. 5