



US00D401469S

United States Patent [19] Klein

[11] Patent Number: **Des. 401,469**

[45] Date of Patent: ****Nov. 24, 1998**

[54] **DRINKING GLASS STEM**

[75] Inventor: **Vladimir Klein**, Novy Bor, Czech Rep.

[73] Assignee: **Crystalex a.s.**, Novy Bor, Czech Rep.

[**] Term: **14 Years**

[21] Appl. No.: **83,549**

[22] Filed: **Feb. 12, 1998**

[30] **Foreign Application Priority Data**

Aug. 18, 1997 [CZ] Czech Rep. 30331-97

[51] **LOC (6) Cl.** **07-99**

[52] **U.S. Cl.** **D7/396.6; D7/396.2; D7/527; D7/524**

[58] **Field of Search** **D7/537, 527, 528, D7/524, 526, 396.2, 396.6**

[56] **References Cited**

U.S. PATENT DOCUMENTS

| | | | | | |
|------------|---------|---------|-------|--------|---|
| D. 83,388 | 2/1931 | Bottome | | D7/528 | X |
| D. 93,380 | 9/1934 | Bottome | | D7/527 | |
| D. 96,121 | 7/1935 | Keil | | D7/528 | |
| D. 107,030 | 11/1937 | Newton | | D7/528 | |
| D. 107,768 | 1/1938 | Fuerst | | D7/528 | X |
| D. 108,200 | 2/1938 | Fuerst | | D7/527 | |
| D. 110,483 | 7/1938 | Fuerst | | D7/537 | |

| | | | | |
|------------|---------|-----------|-------|--------|
| D. 158,234 | 4/1950 | Uhrmann | | D7/527 |
| D. 181,657 | 12/1957 | Kimble | | D7/527 |
| D. 254,237 | 2/1980 | Angelakos | | D7/528 |
| D. 299,201 | 1/1989 | Durand | | D7/527 |

OTHER PUBLICATIONS

Crystal stem, Peill—Kristall, Schoner Wohnen, p.sw 74, Aug. 1982.

Primary Examiner—M. N. Pandozzi
Attorney, Agent, or Firm—Watson Cole Grindle Watson, P.L.L.C.

[57] **CLAIM**

The ornamental design for a drinking glass stem, as shown and described.

DESCRIPTION

FIG. 1 is front elevational view of a drinking glass stem showing my new design;
FIG. 2 is a top plan view thereof;
FIG. 3 is a sectional view taken along line 3-3 of FIG. 1;
FIG. 4 is a sectional view taken along line 4-4 of FIG. 1; and,
FIG. 5 is a sectional view taken along line 5-5 of FIG. 1. The broken line showing of a drinking glass stem is for illustrative purposes only and forms no part of the claimed design.

1 Claim, 1 Drawing Sheet

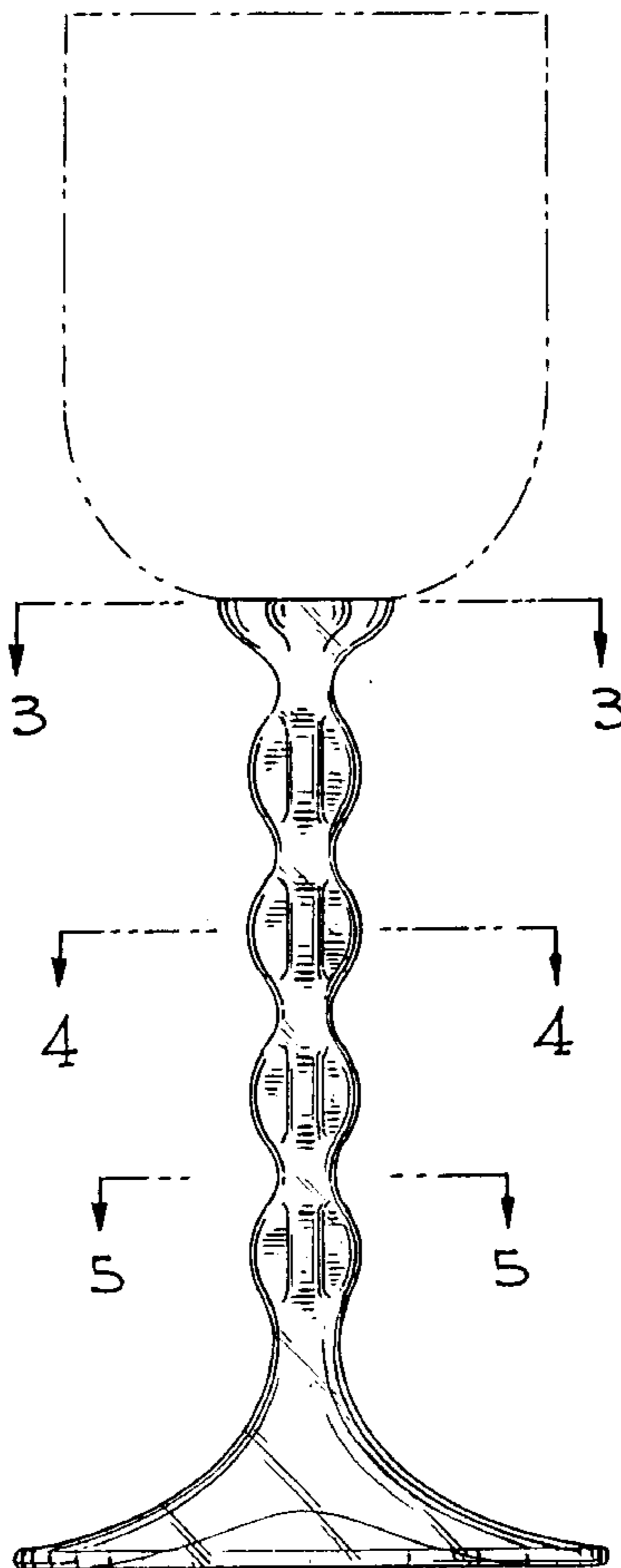


FIG. 1

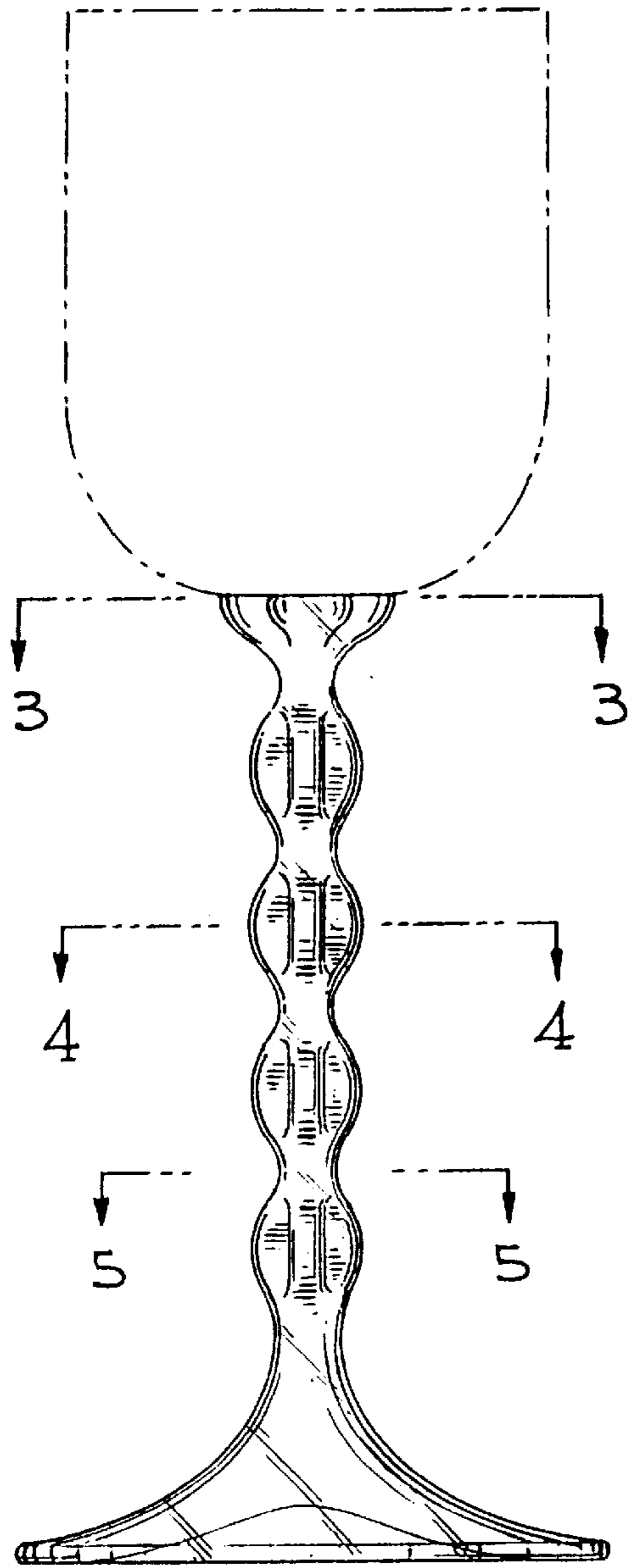


FIG. 3

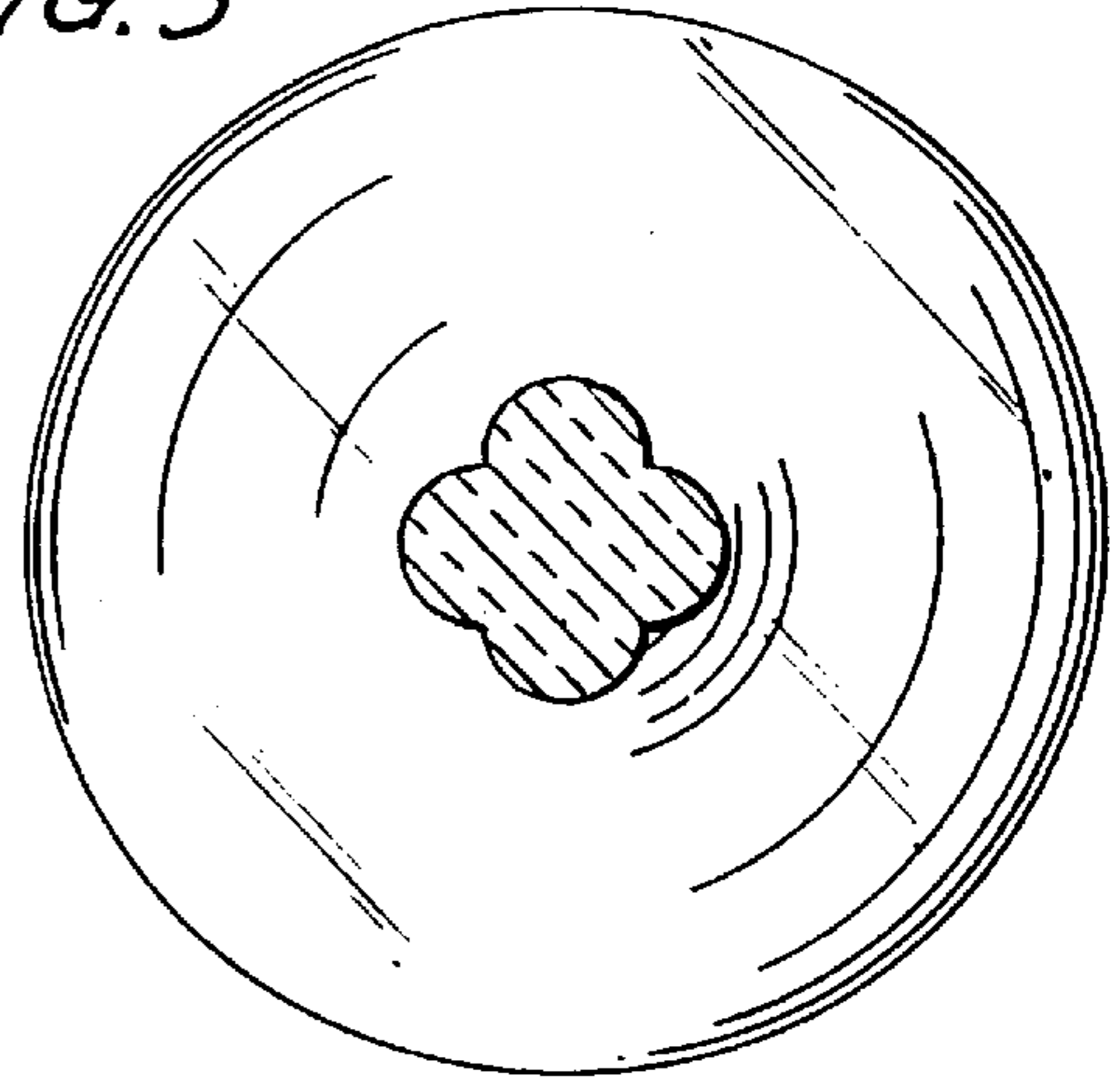


FIG. 4

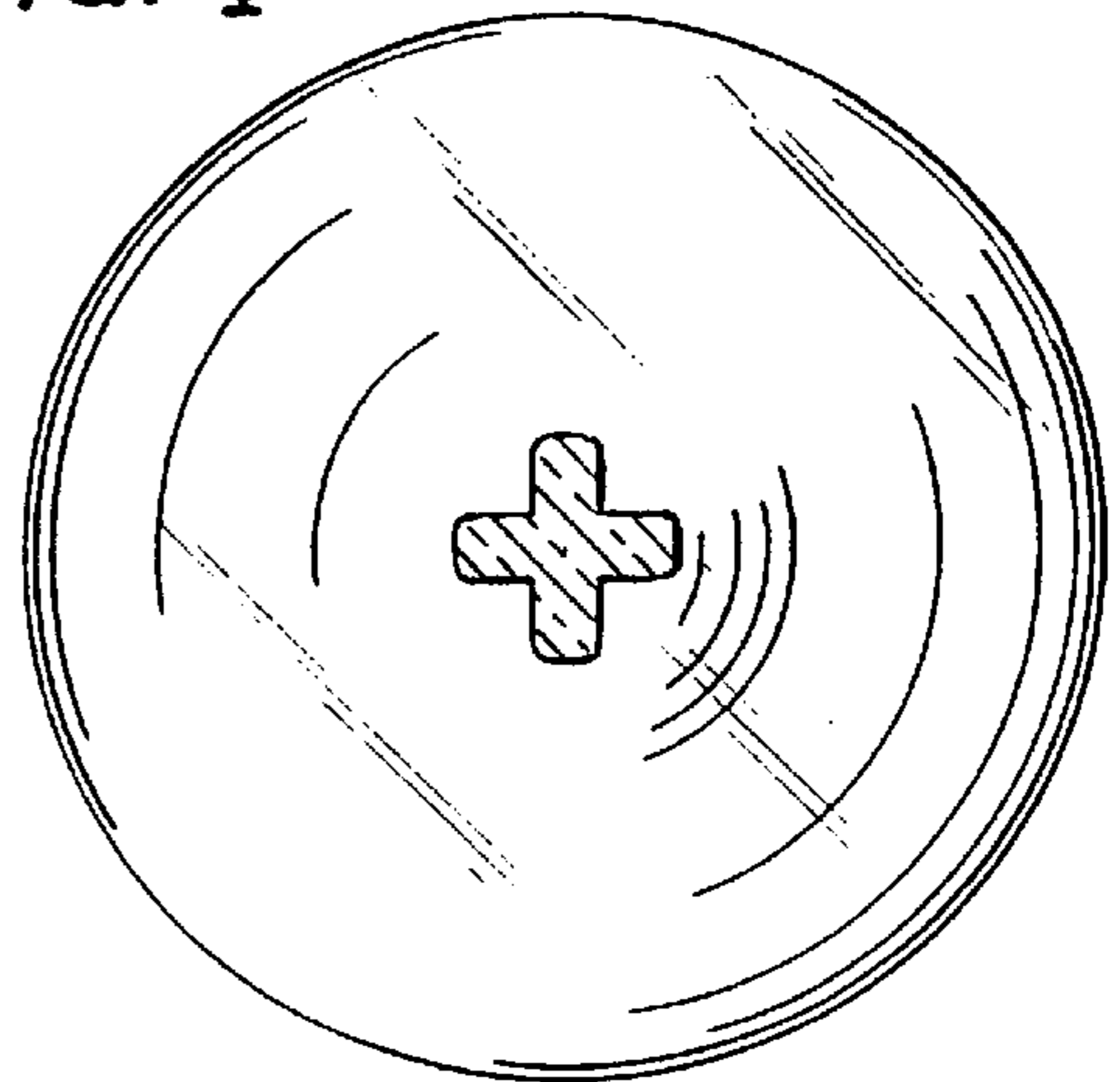


FIG. 5

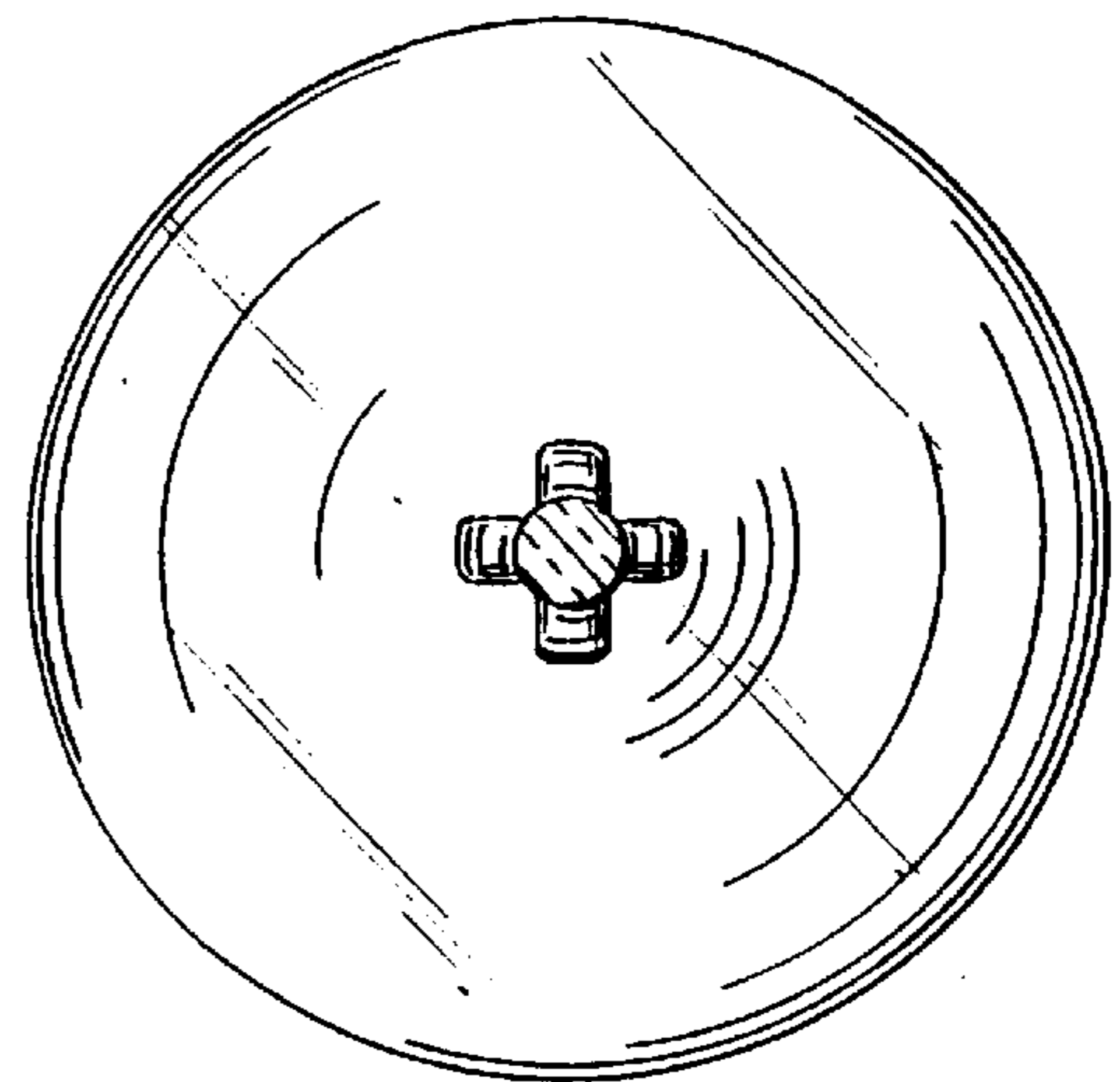


FIG. 2

