



US00D401468S

United States Patent [19]

[11] **Patent Number: Des. 401,468**

Knoll et al.

[45] **Date of Patent: **Nov. 24, 1998**

[54] **FOOD DEHYDRATOR**

[75] Inventors: **John L. Knoll**, Minneapolis; **Neal P. Barnes**, Maple Grove; **Terry L. Van Valkenburg**, Elk River; **Michael W. Horvath**, Woodbury, all of Minn.

[73] Assignee: **American Harvest, Inc.**, Chaska, Minn.

[**] Term: **14 Years**

[21] Appl. No.: **64,769**

[22] Filed: **Jan. 10, 1997**

[51] **LOC (6) Cl. 07-02**

[52] **U.S. Cl. D7/323**

[58] **Field of Search D7/323, 350; 34/192, 34/196-197, 201; 99/483, 467; 219/400**

[56] **References Cited**

U.S. PATENT DOCUMENTS

D. 252,397	7/1979	Cousins et al. .	
D. 261,142	10/1981	Erickson et al.	D15/110
4,190,965	3/1980	Erickson	34/196
4,192,081	3/1980	Erickson et al.	34/225
4,224,743	9/1980	Erickson et al.	34/219
4,531,306	7/1985	Erickson	34/44
4,536,643	8/1985	Erickson	219/400
5,215,004	6/1993	Su	99/483
5,235,906	8/1993	Hsu	99/483
5,261,168	11/1993	Li	34/197
5,311,673	5/1994	Su	34/197

5,379,527	1/1995	Su	34/197
5,420,393	5/1995	Dornbush et al.	219/400
5,423,249	6/1995	Meyer	99/483
5,437,108	8/1995	Alseth	34/196
5,438,916	8/1995	Dornbush et al.	99/448
5,454,298	10/1995	Lu	99/483
5,458,050	10/1995	Su	99/340

FOREIGN PATENT DOCUMENTS

WO 95/19112 7/1995 WIPO A23L 3/16

OTHER PUBLICATIONS

“We’ve got the deals and the advice on the best appliances”, *RetraVision*, Advertisement, p. 24. Sale Advertised from ? to Jan. 1995.

Primary Examiner—Ruth McInroy
Attorney, Agent, or Firm—Godfrey & Kahn, S.C.

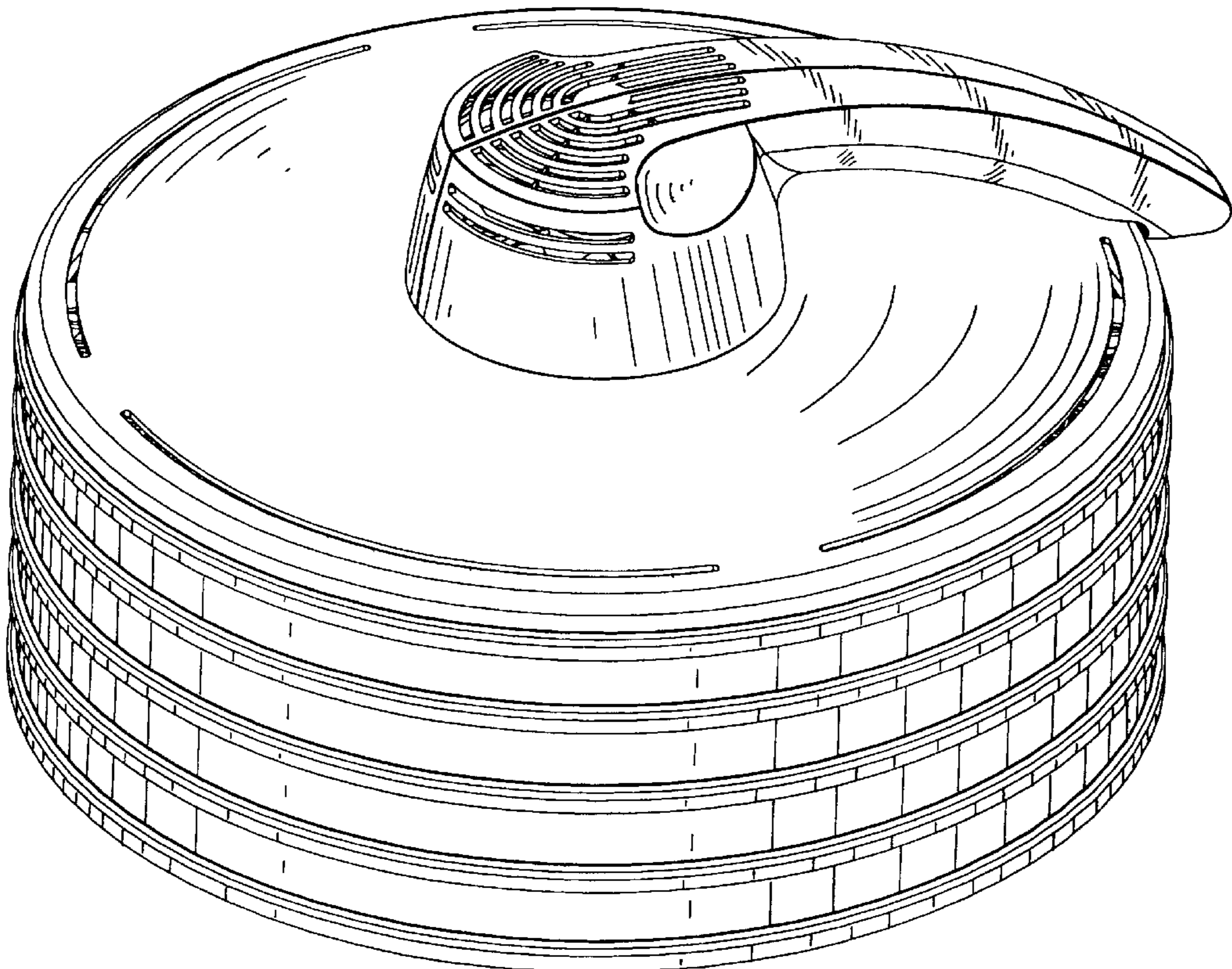
[57] **CLAIM**

The ornamental design for a food dehydrator, as shown and described.

DESCRIPTION

FIG. 1 is a perspective view of a food dehydrator showing our new design;
FIG. 2 is a front elevational view thereof;
FIG. 3 is a rear elevational view thereof;
FIG. 4 is a left side elevational view thereof;
FIG. 5 is a right side elevational view thereof;
FIG. 6 is a top plan view thereof; and,
FIG. 7 is a bottom plan view thereof.

1 Claim, 7 Drawing Sheets



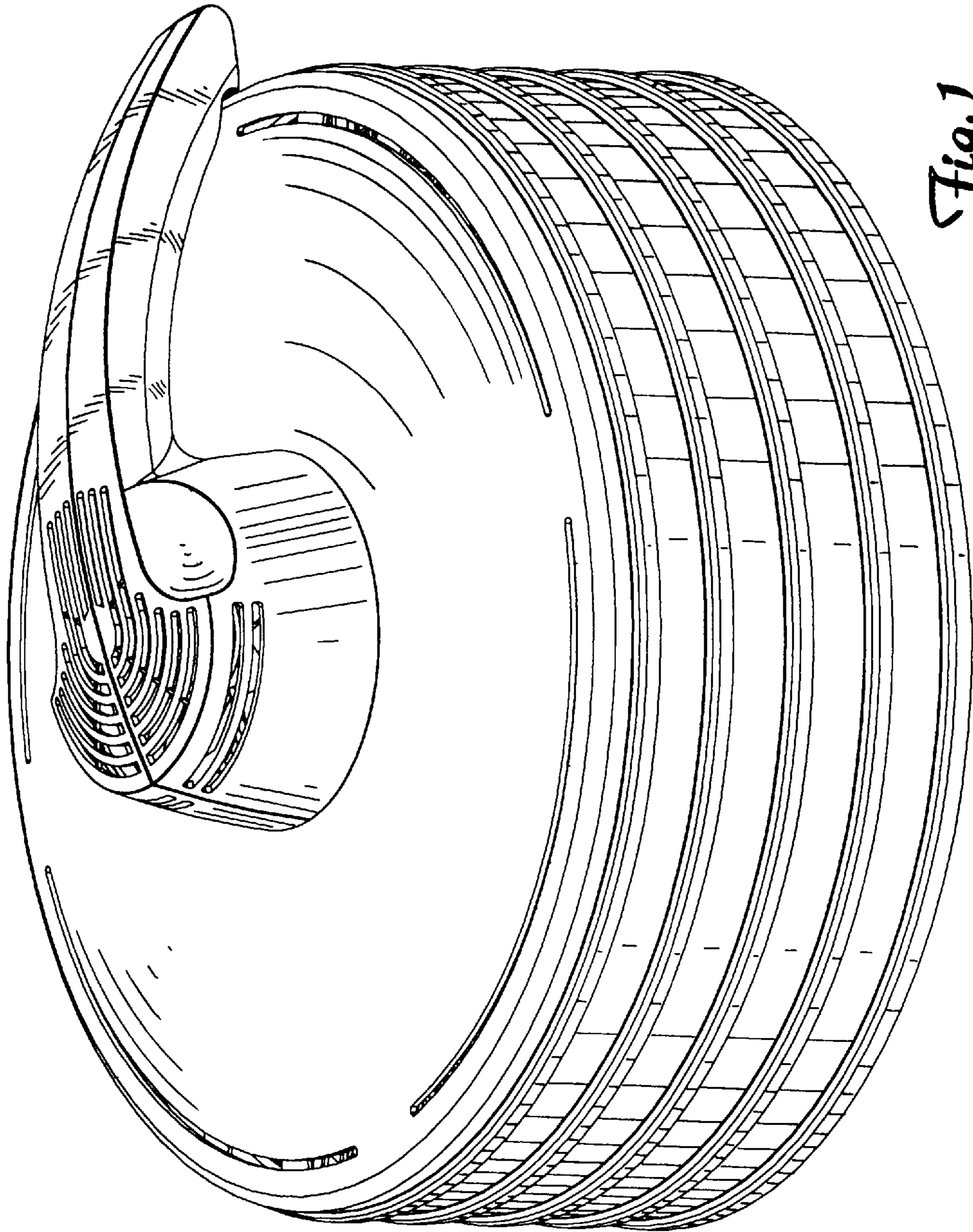


Fig. 1

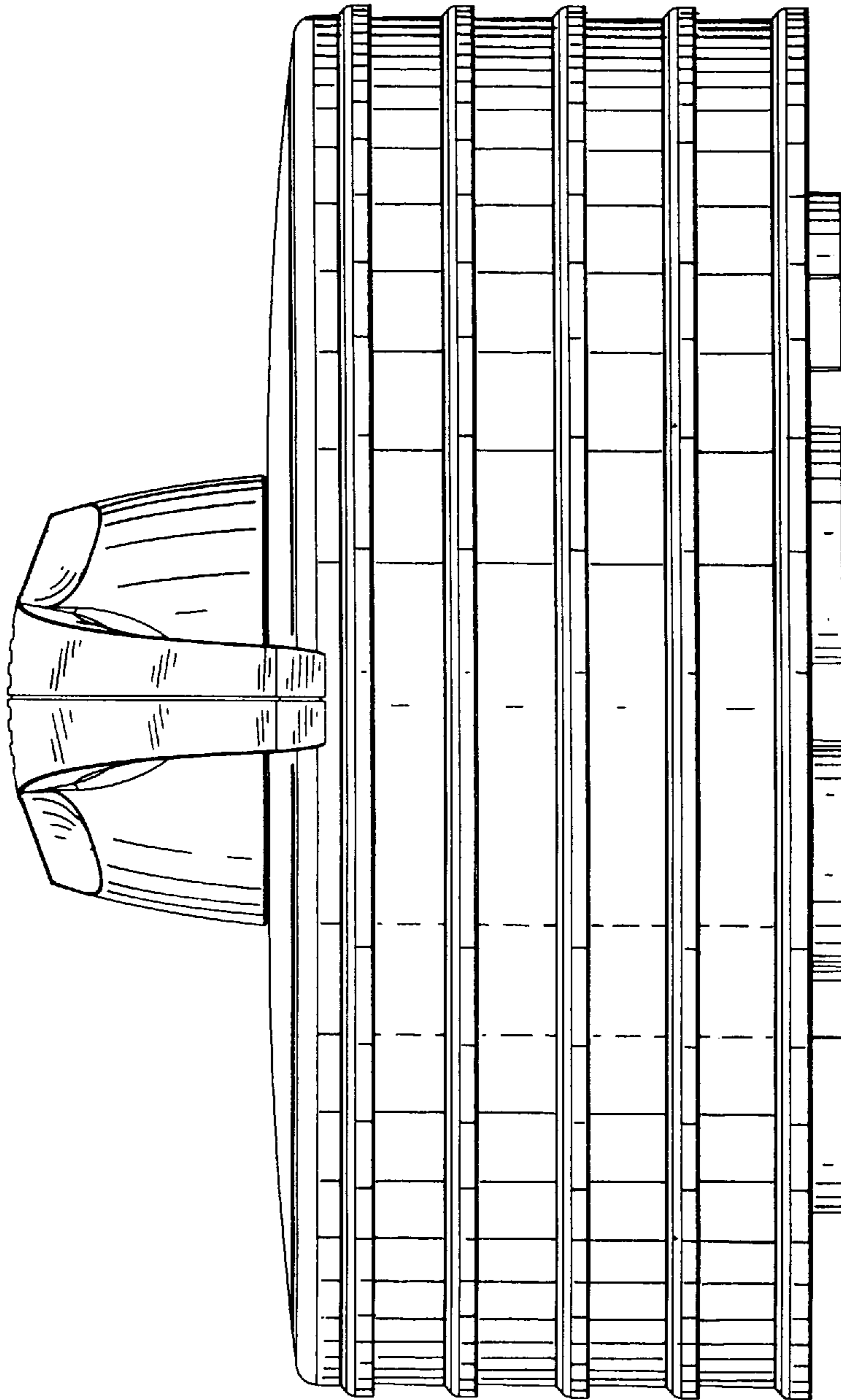


Fig. 2

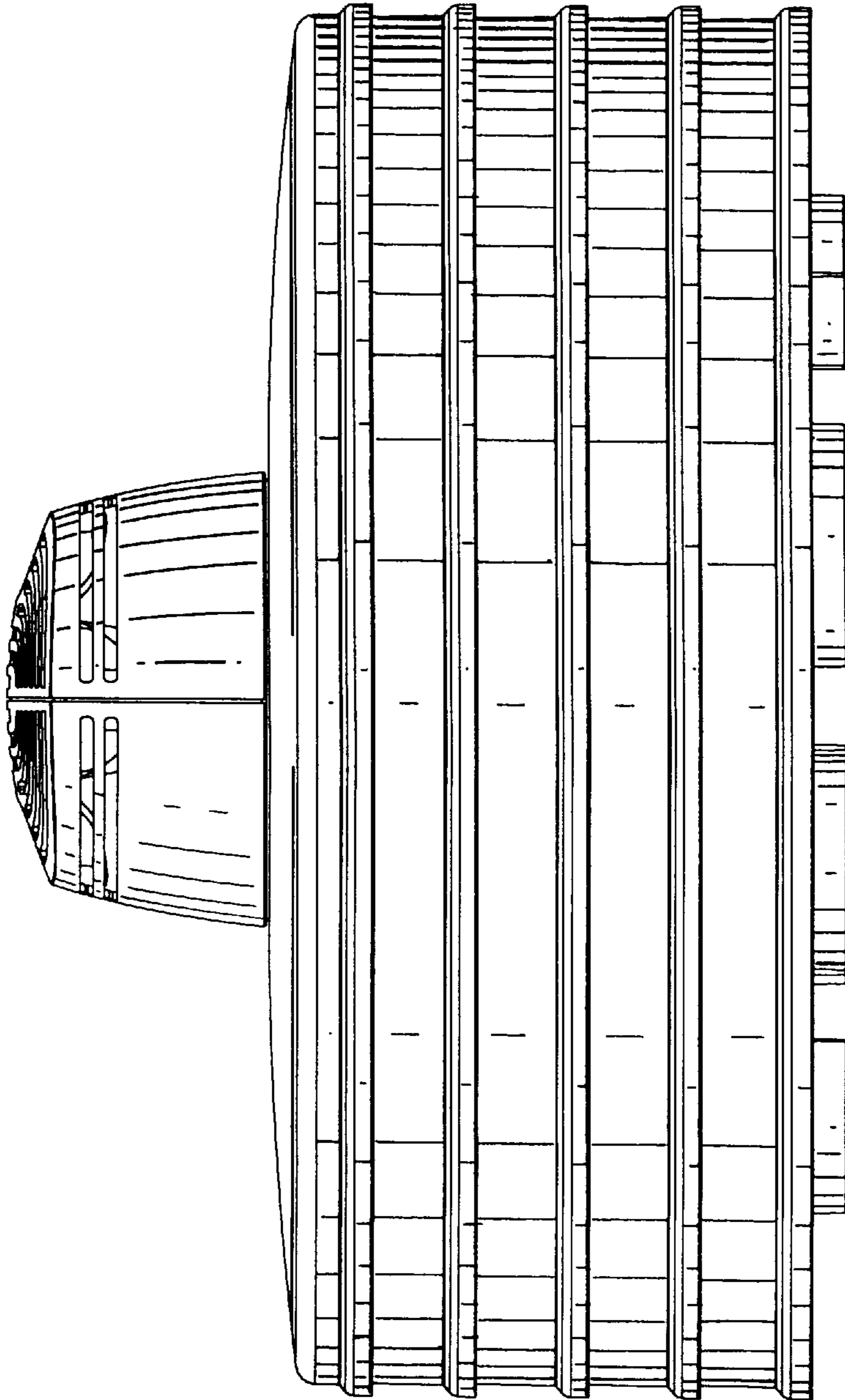


Fig. 3

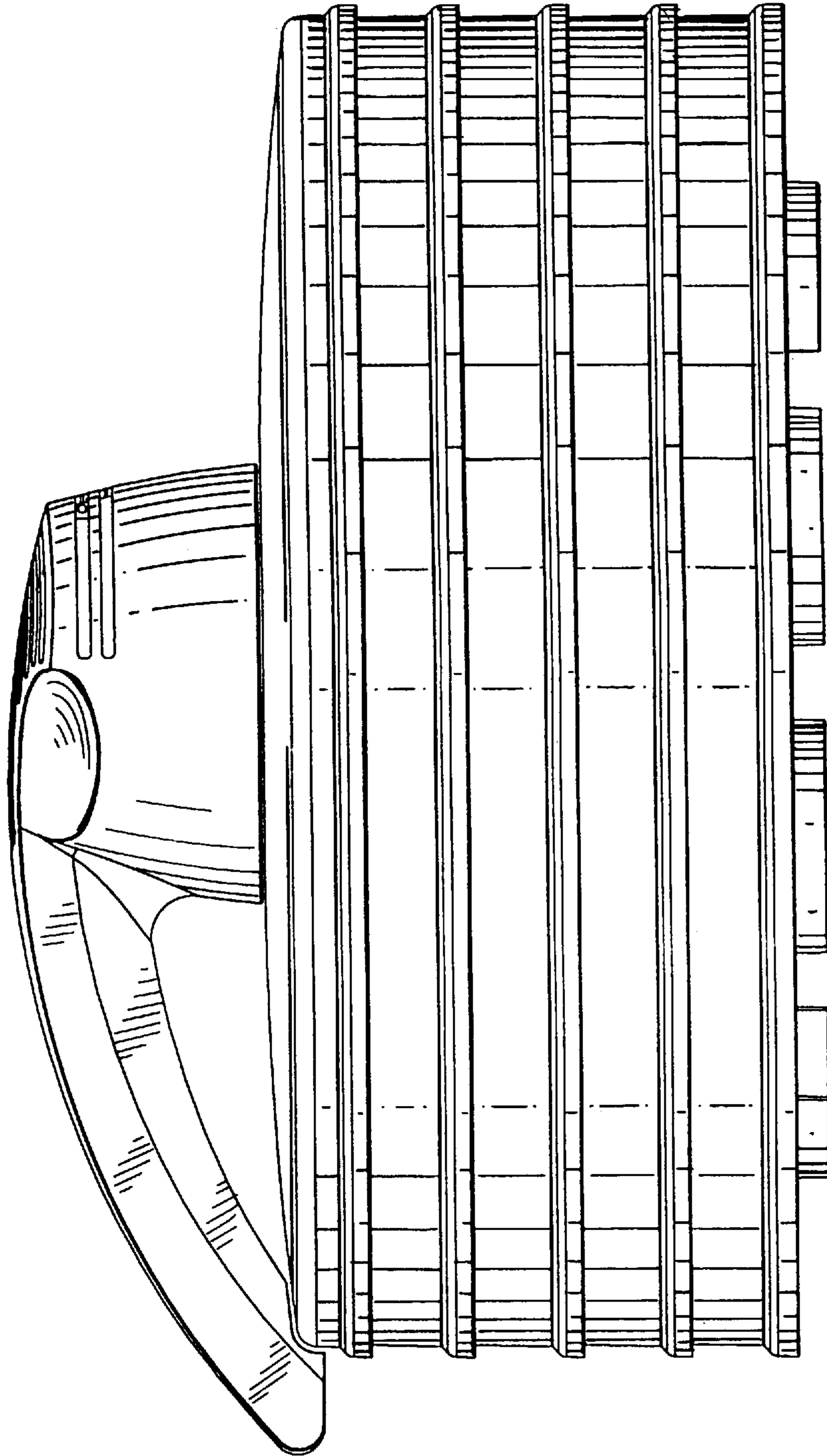


Fig. 4

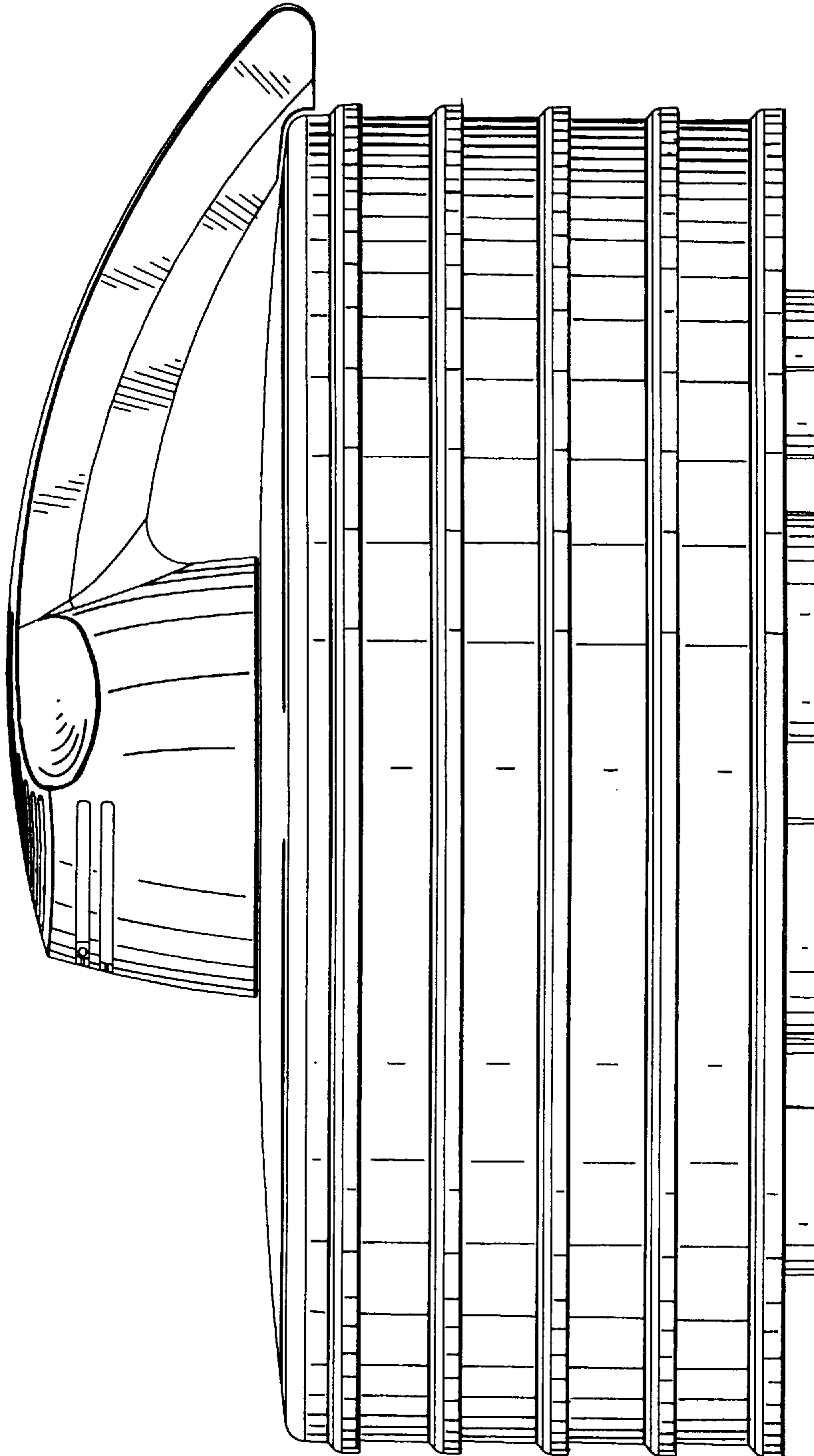


Fig. 5

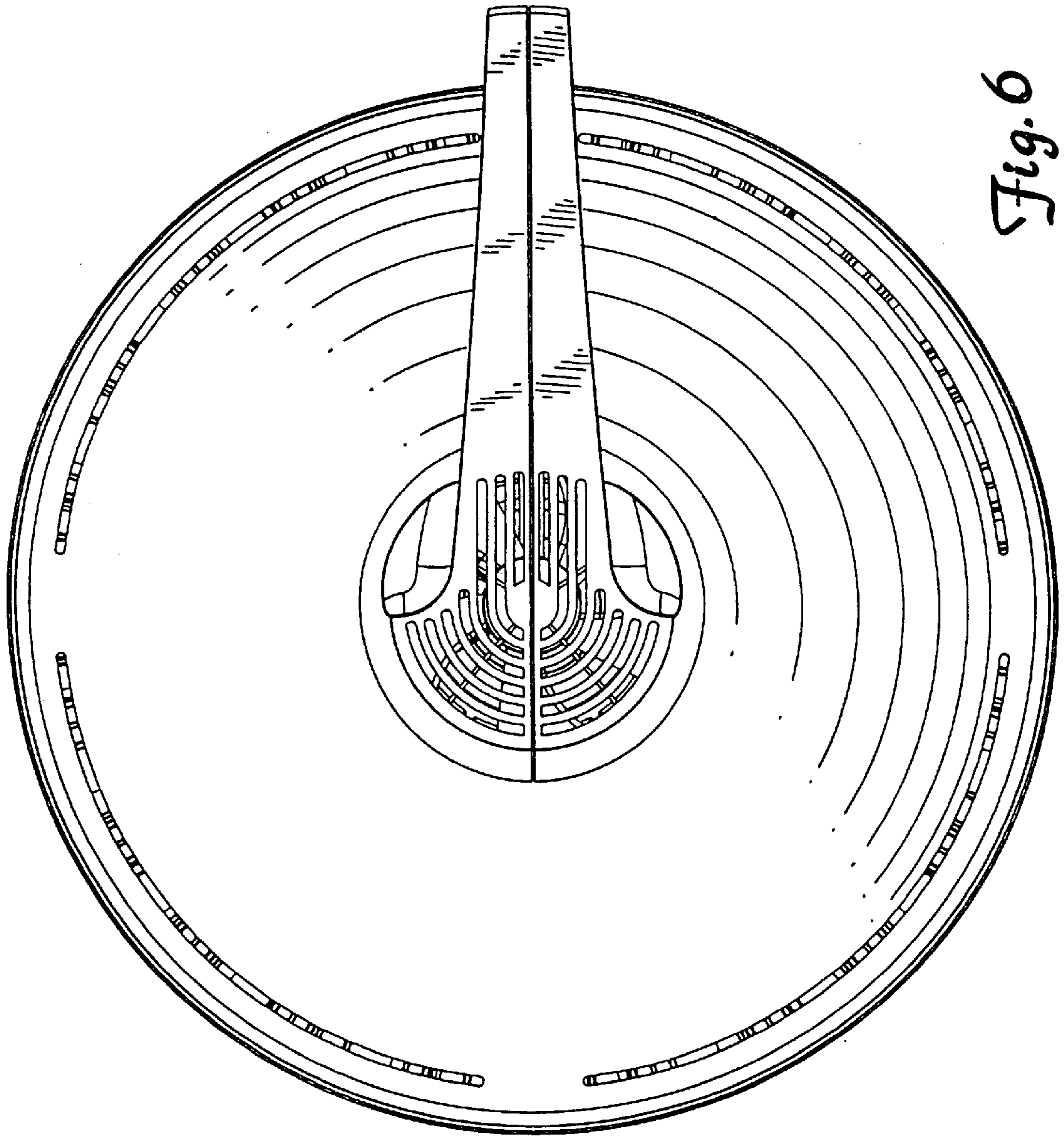


Fig. 6

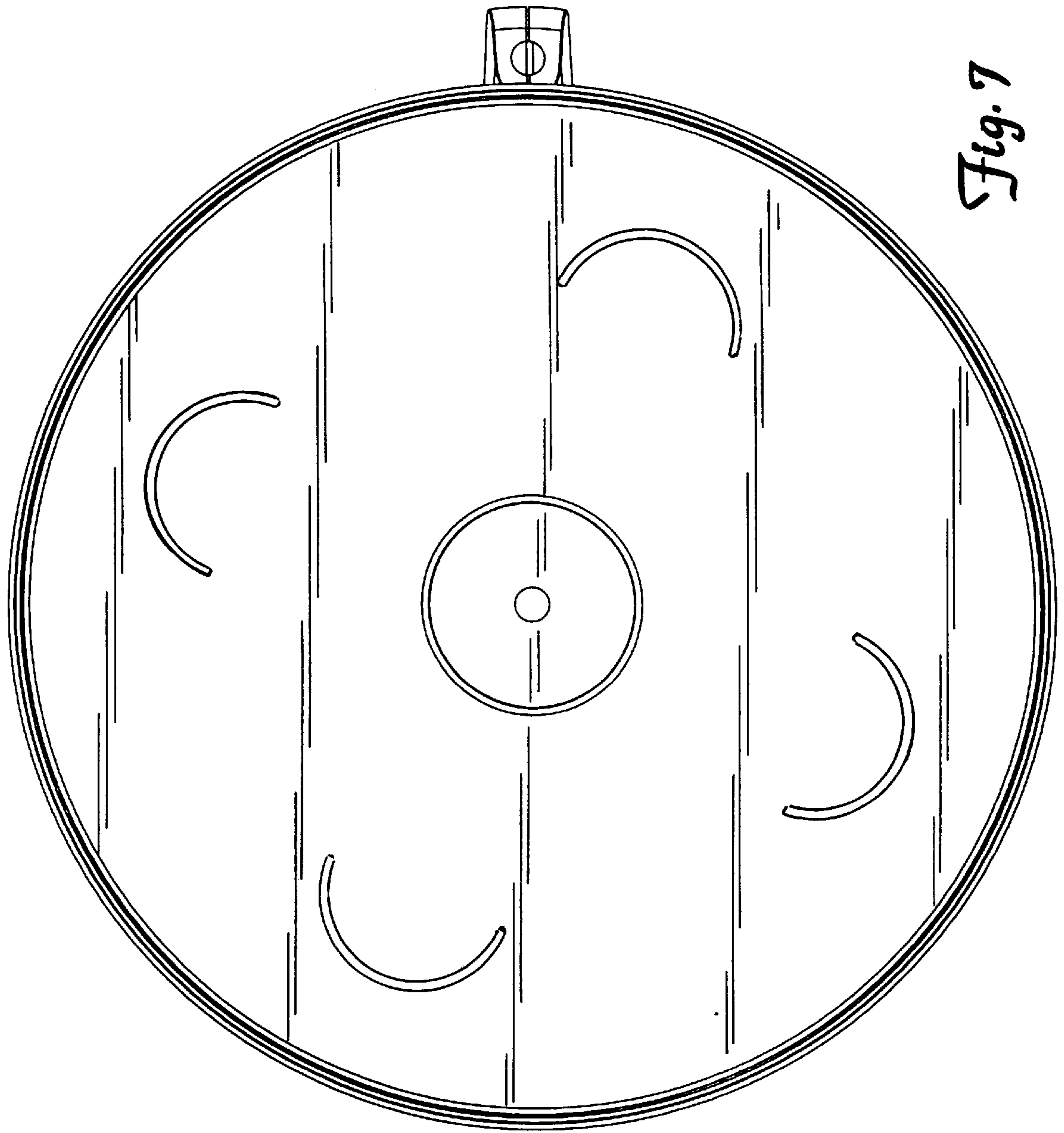


Fig. 7