



US00D401467S

United States Patent [19]

Naft et al.

[11] Patent Number: **Des. 401,467**

[45] Date of Patent: ****Nov. 24, 1998**

[54] **COFFEEMAKER**

[75] Inventors: **Stuart Naft**, Fairfield; **Patrick B Nolan**, Danbury, both of Conn.

[73] Assignee: **Black & Decker Inc.**, Newark, Del.

[**] Term: **14 Years**

[21] Appl. No.: **75,411**

[22] Filed: **Dec. 21, 1997**

[51] **LOC (6) Cl.** **07-01**

[52] **U.S. Cl.** **D7/318; D7/317**

[58] **Field of Search** D7/300, 538, 543, D7/312, 315, 316, 317, 318, 319, 321, 601, 602, 590, 598, 322, 600; 99/295; 222/143, 475, 475.1

[56] **References Cited**

U.S. PATENT DOCUMENTS

- D. 206,018 10/1966 Winblad D7/312
- D. 262,855 2/1982 Morin D7/316

- D. 306,246 2/1990 Rauch D7/300
- D. 325,848 5/1992 Embree D7/321 X
- D. 376,065 12/1996 Ito et al. D7/319
- D. 382,764 8/1997 Brady D7/317
- D. 386,644 11/1997 Orrico et al. D7/300
- 4,957,224 9/1990 Kessler et al. 222/465.1

Primary Examiner—M. N. Pandozzi
Attorney, Agent, or Firm—Barry E. Deutsch

[57] **CLAIM**

The ornamental design for a coffeemaker, as shown and described.

DESCRIPTION

FIG. 1 is a perspective view taken from the front, top and left side of a coffeemaker illustrating our new design; FIG. 2 is a left side elevational view thereof; FIG. 3 is a right side elevational view thereof; FIG. 4 is a top plan view thereof; FIG. 5 is a rear elevational view thereof; FIG. 6 is a front elevational view thereof; and, FIG. 7 is a bottom plan view thereof.

1 Claim, 4 Drawing Sheets

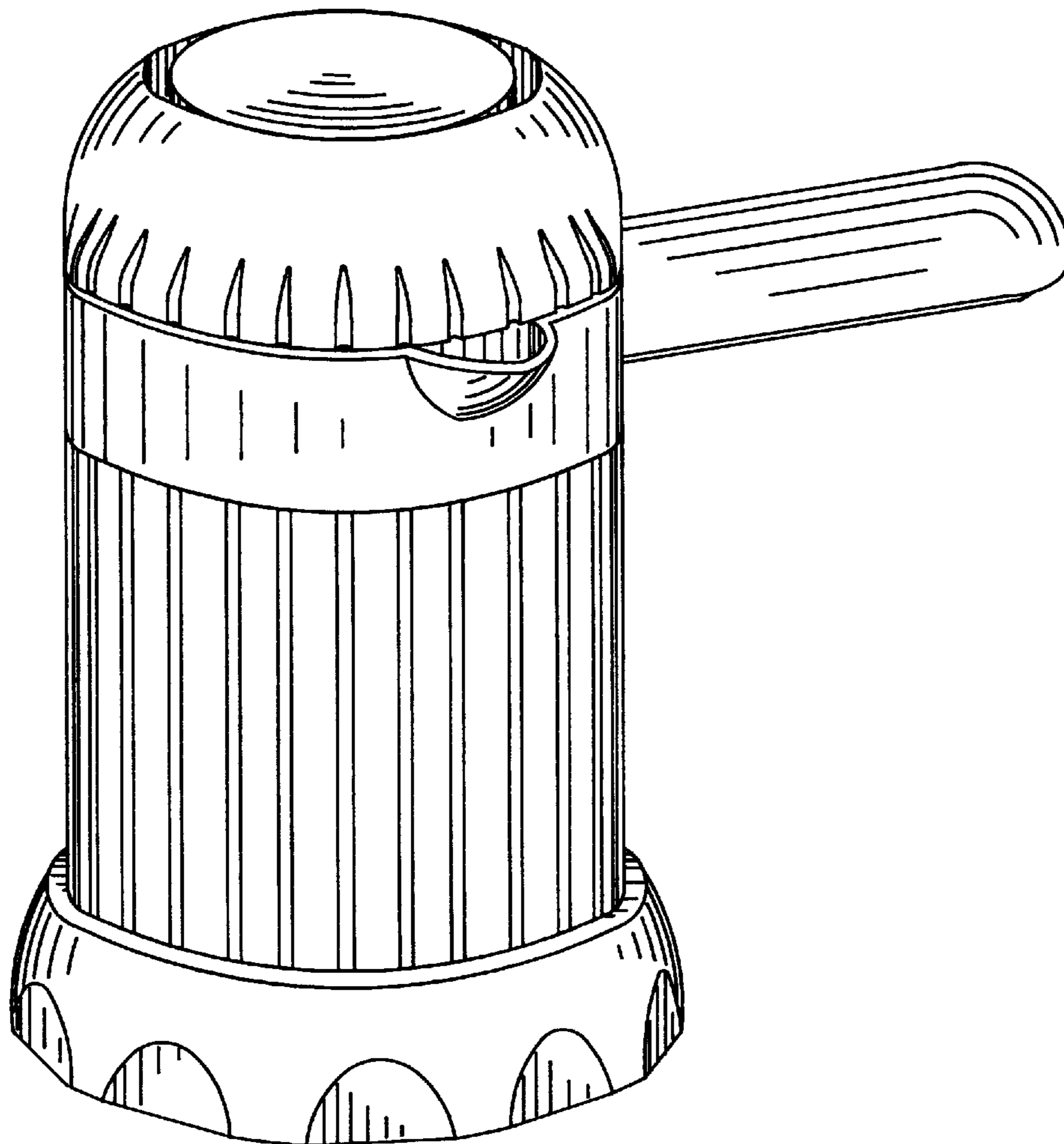


FIG. 1

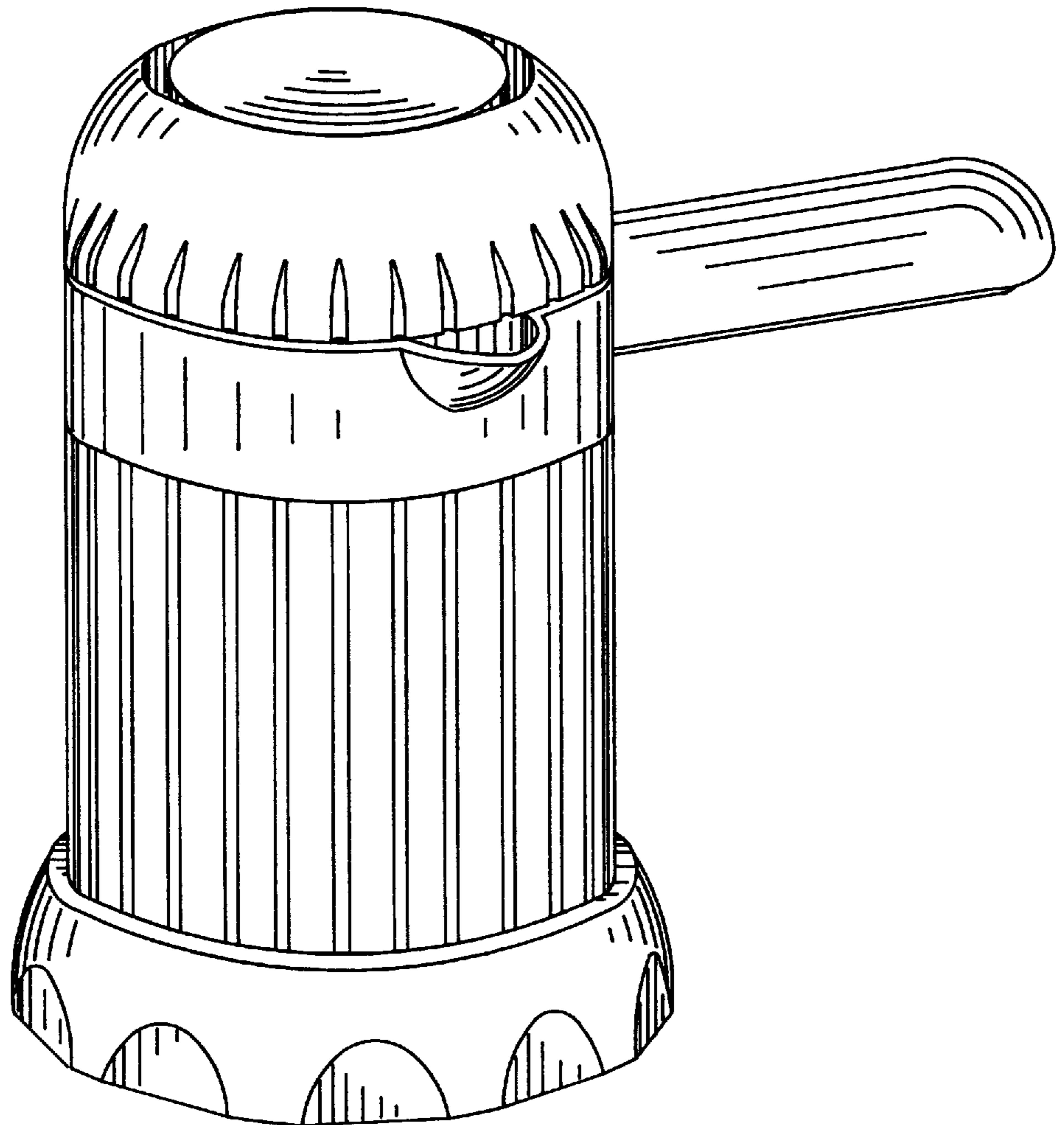


FIG. 2

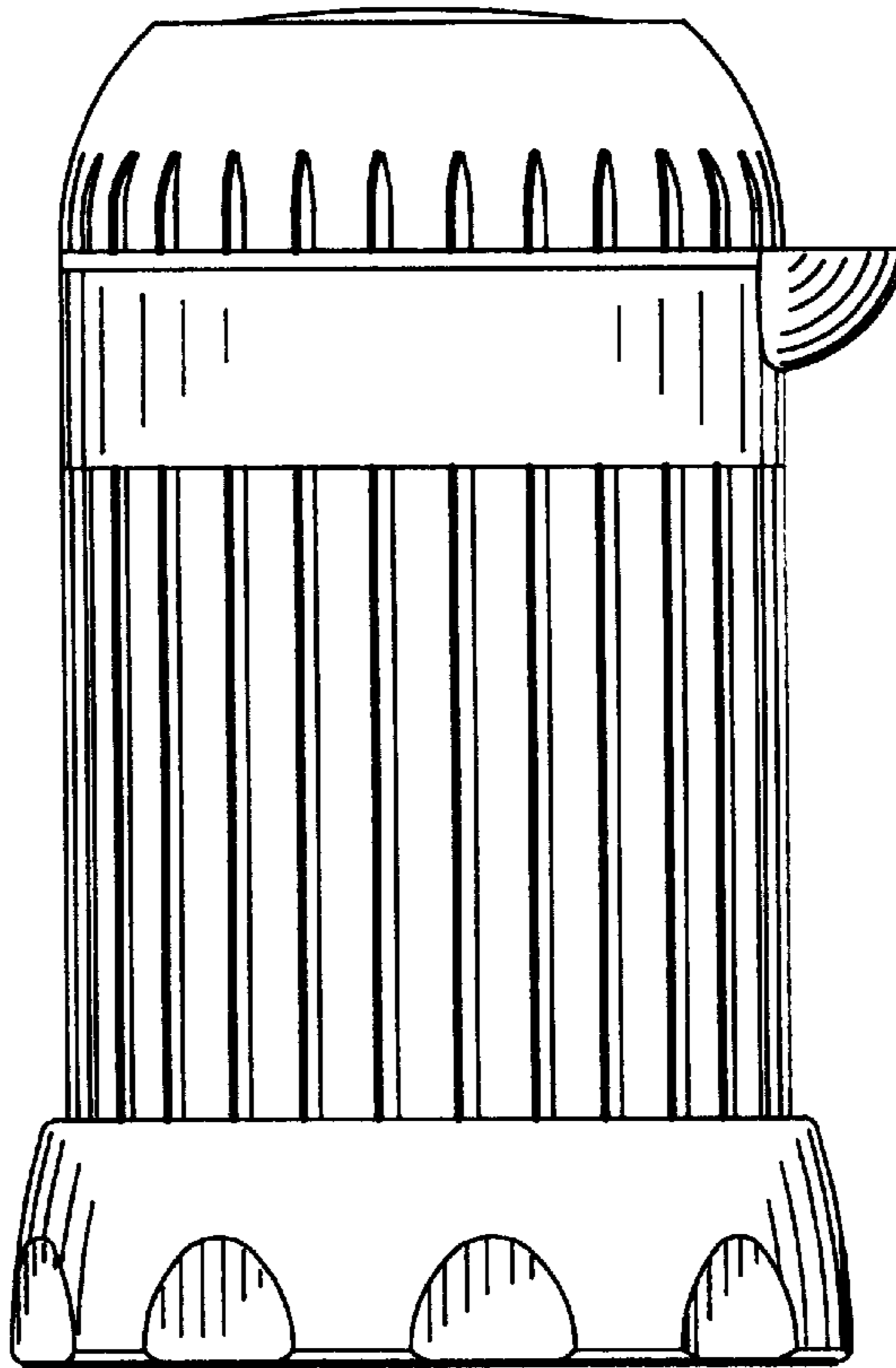


FIG. 3

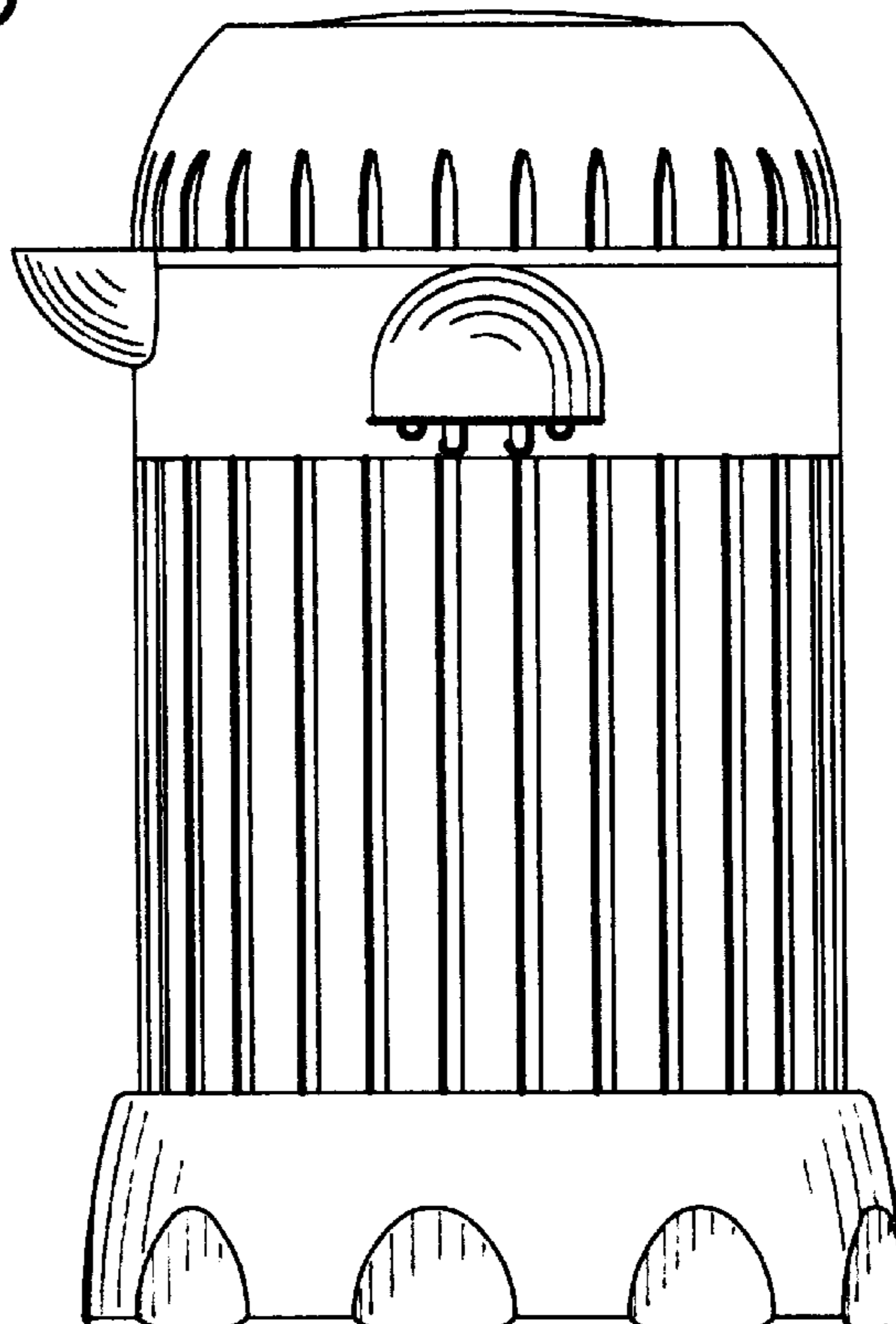


FIG. 4

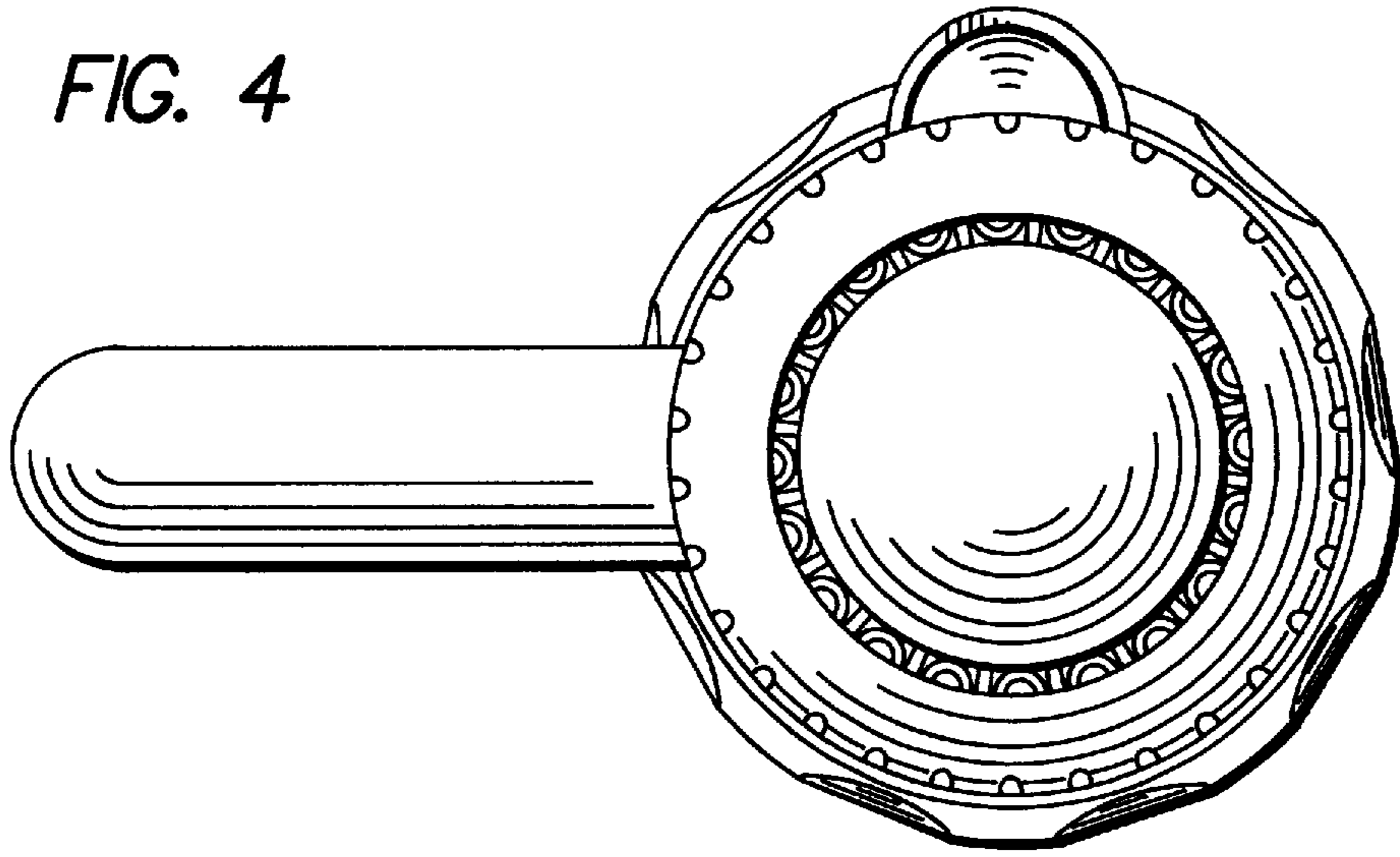


FIG. 5

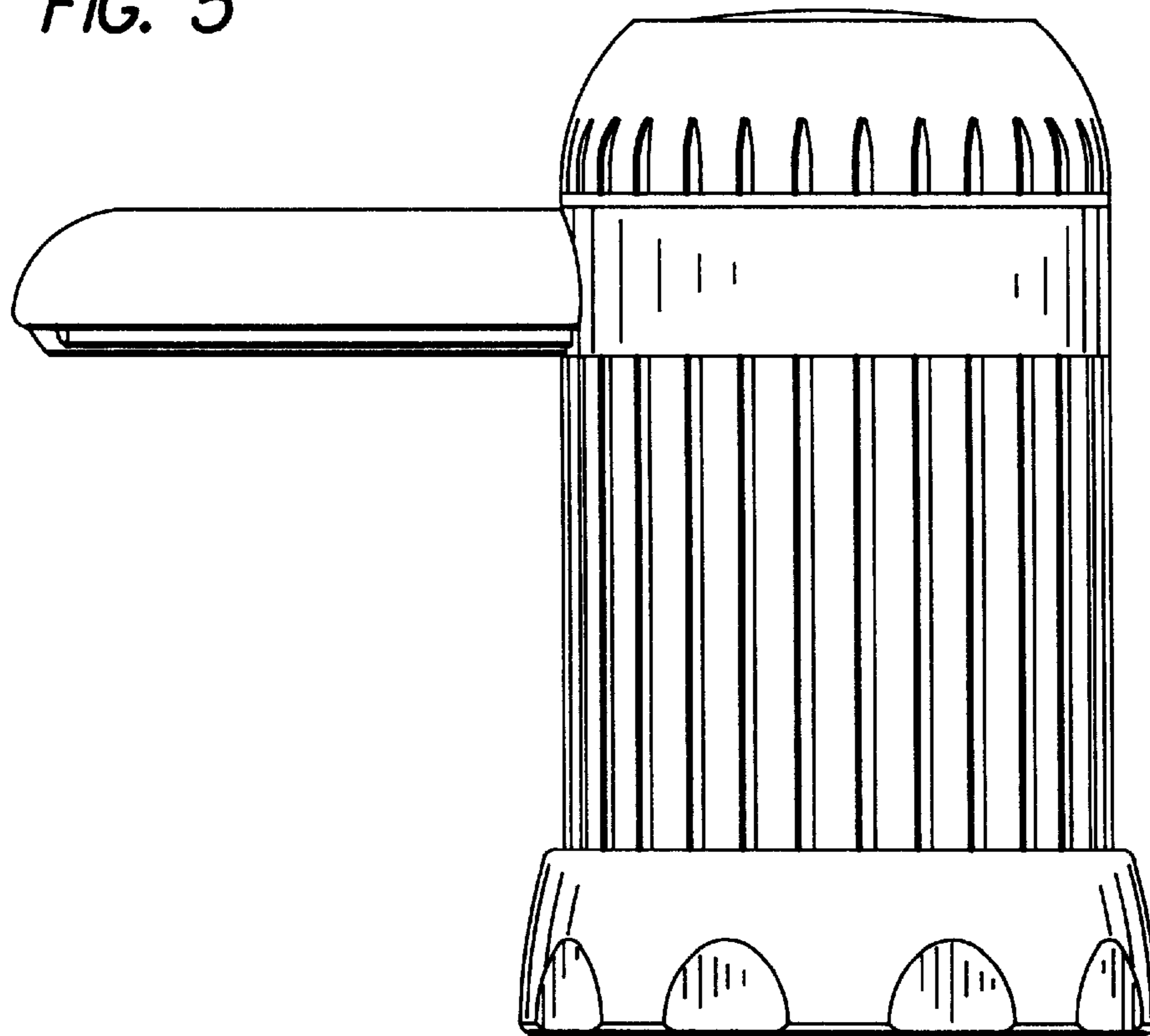


FIG. 6

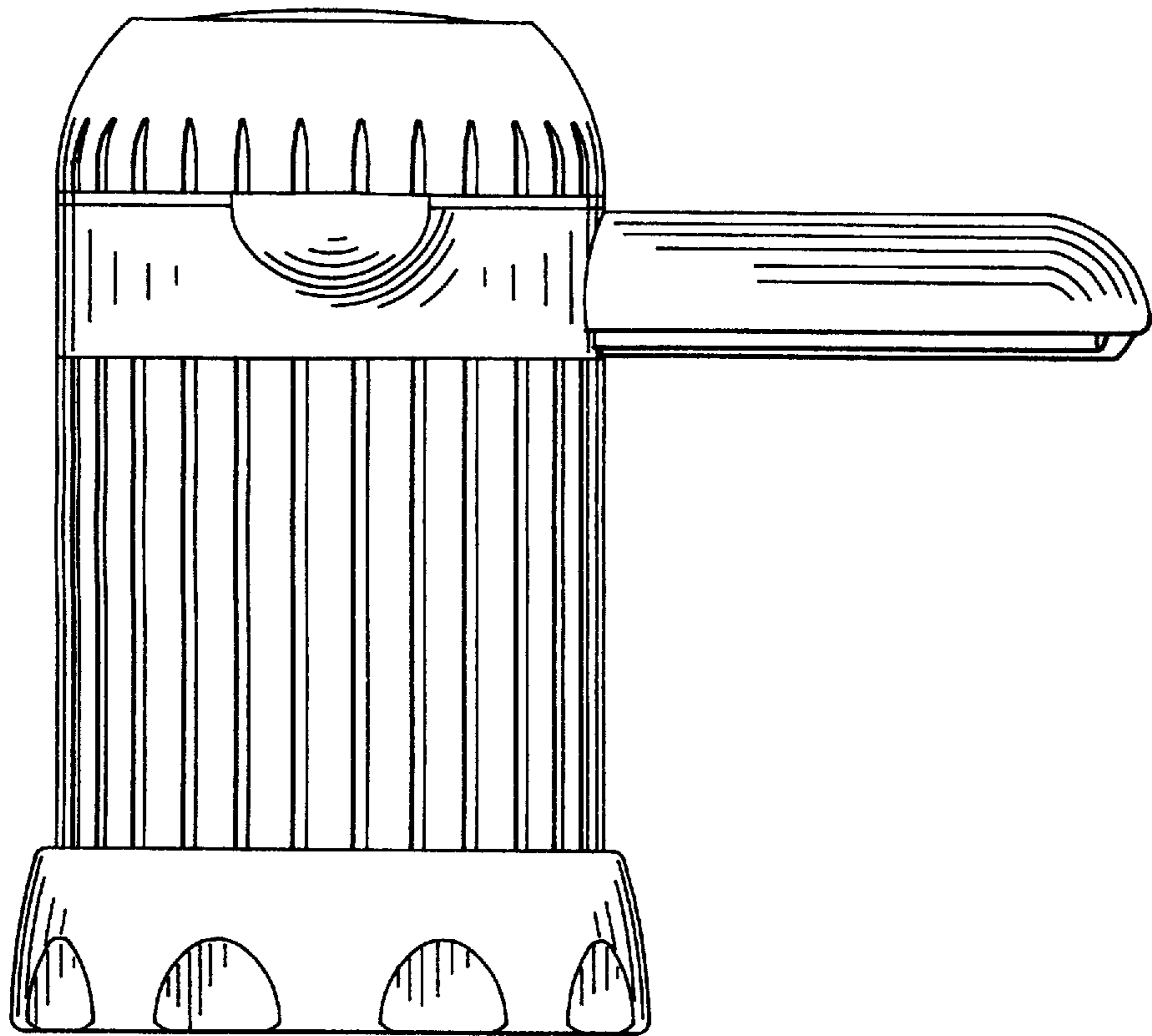


FIG. 7

